

MICRO COMPONENT SYSTEM MCR-5

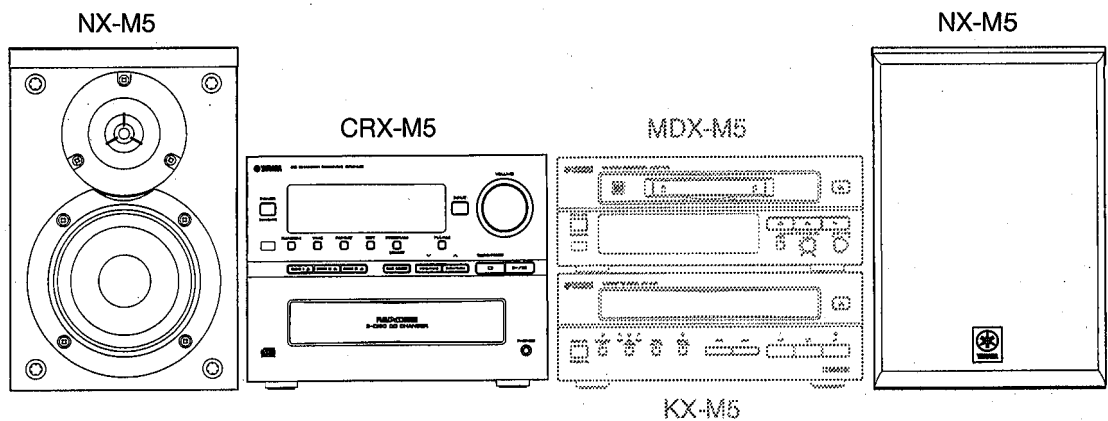
CRX-M5/NX-M5

SERVICE MANUAL

This is a service manual for the CRX-M5 (including NX-M5).
NX-M5 requires replacement as a unit.

For service manuals of MDX-M5 and KX-M5, please refer to the service manuals with the following publication numbers :

MDX-M5	100658
KX-M5	100660



IMPORTANT NOTICE

This manual has been provided for the use of authorized YAMAHA Retailers and their service personnel. It has been assumed that basic service procedures inherent to the industry, and more specifically YAMAHA Products, are already known and understood by the users, and have therefore not been restated.

WARNING: Failure to follow appropriate service and safety procedures when servicing this product may result in personal injury, destruction of expensive components, and failure of the product to perform as specified. For these reasons, we advise all YAMAHA product owners that any service required should be performed by an authorized YAMAHA Retailer or the appointed service representative.

IMPORTANT: The presentation or sale of this manual to any individual or firm does not constitute authorization, certification or recognition of any applicable technical capabilities, or establish a principle-agent relationship of any form.

The data provided is believed to be accurate and applicable to the unit(s) indicated on the cover. The research, engineering, and service departments of YAMAHA are continually striving to improve YAMAHA products. Modifications are, therefore, inevitable and specifications are subject to change without notice or obligation to retrofit. Should any discrepancy appear to exist, please contact the distributor's Service Division.

WARNING: Static discharges can destroy expensive components. Discharge any static electricity your body may have accumulated by grounding yourself to the ground buss in the unit (heavy gauge black wires connect to this buss).

IMPORTANT: Turn the unit OFF during disassembly and part replacement. Recheck all work before you apply power to the unit.



このサービスマニュアルは、エコマーク認定の再生紙を使用しています。
This Service Manual uses recycled paper.

100657



YAMAHA
YAMAHA CORPORATION
P.O.Box 1, Hamamatsu, Japan

2.85K-327 Printed in Japan '99.1

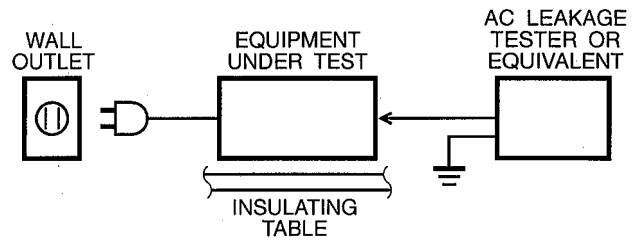
■ CONTENTS

TO SERVICE PERSONNEL 1~2
 FRONT PANEL/REAR PANEL 3
 SPECIFICATIONS 4
 DISASSEMBLY PROCEDURES 5~6
 CD TROUBLESHOOTING 7~13
 TUNER ADJUSTMENTS 14
 IC DATA 15~19
 BLOCK DIAGRAM 20~21

PRINTED CIRCUIT BOARD 22~29
 DISPLAY DATA 30
 PIN CONNECTION DIAGRAM 31
 SCHEMATIC DIAGRAM 32~34
 PARTS LIST 35~51
 REMOVAL PROCEDURE OF CD MECHANISM UNIT 52~55
 GREASE APPLICATION DIAGRAM 56~61

■ TO SERVICE PERSONNEL

1. Critical Components Information.
 Components having special characteristics are marked and must be replaced with parts having specifications equal to those originally installed.
 2. Leakage Current Measurement (For 120V Models Only).
 When service has been completed, it is imperative to verify that all exposed conductive surfaces are properly insulated from supply circuits.
- Meter impedance should be equivalent to 1500 ohm shunted by 0.15μF.



- Leakage current must not exceed 0.5mA.
- Be sure to test for leakage with the AC plug in both polarities.

CAUTION : USE OF CONTROLS OR ADJUSTMENTS OR PERFORMANCE OF PROCEDURES OTHER THAN THOSE SPECIFIED HEREIN MAY RESULT IN HAZARDOUS RADIATION EXPOSURE.

THE COMPACT DISC PLAYER SHOULD NOT BE ADJUSTED OR REPAIRED BY ANYONE EXCEPT PROPERLY QUALIFIED SERVICE PERSONNEL.

PROTECTION OF EYES FROM LASER BEAM DURING SERVICING

This set employs a laser. Therefore, be sure to carefully follow the instructions below when servicing .

1. Laser Diode Properties

- Material : GaAs
- Wavelength : 760 nm – 800 nm
- Emission Duration : Continuous
- Laser Output : max. 40 μW*

* This output is the value measured at a distance of about 200 mm from the objective lens surface on the Optical Pick-up Block.

2. When checking the laser diode emission, keep your eyes more than 30 cm away from the objective lens.

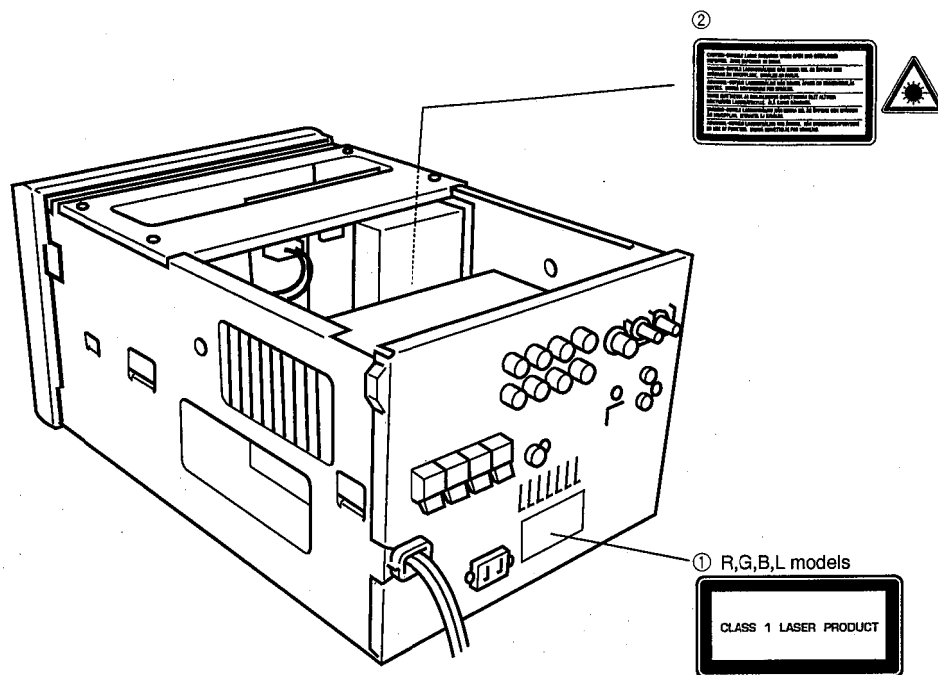
WARNING: CHEMICAL CONTENT NOTICE!

The solder used in the production of this product contains LEAD. In addition, other electrical/electronic and/or plastic (where applicable) components may also contain traces of chemicals found by the California Health and Welfare Agency (and possibly other entities) to cause cancer and/or birth defects or other reproductive harm.

DO NOT PLACE SOLDER, ELECTRICAL/ELECTRONIC OR PLASTIC COMPONENTS IN YOUR MOUTH FOR ANY REASON WHATSOEVER!

Avoid prolonged, unprotected contact between solder and your skin! When soldering, do not inhale solder fumes or expose eyes to solder/flux vapor!

If you come in contact with solder or components located inside the enclosure of this product, wash your hands before handling food.



English

- ① THIS PRINTING (SEE POSITION SHOWN IN THE ILLUSTRATION) INFORMS THE USER THAT THE APPARATUS CONTAINS A LASER COMPONENT.
- ② THIS LABEL (SEE POSITION SHOWN IN THE ILLUSTRATION) WARNS THAT ANY FURTHER PROCEDURE WILL BRING THE USER INTO EXPOSURE WITH THE LASER BEAM.

CAUTION : USE OF CONTROLS, ADJUSTMENTS OR PERFORMANCE OF PROCEDURES OTHER THAN THOSE SPECIFIED HEREIN, MAY RESULT IN HAZARDOUS RADIATION EXPOSURE.

Swedish

- ① DENNA MÄRKNING (SE FIGUR) UPPLYSER OM ATT DET I APPARATEN INGÅR EN LASERKOMPONENT AV TYP KLAS 1.
- ② VARNINGSMÄRKNING (SE FIGUR) FÖR STRÅLNING. INGREPP I APPARATEN BÖR ENDAST FÖRETAGAS AV FACKMAN MED KÄNNEDOM OM LASER. APPARATEN INNEHÅLLER EN LASERKOMPONENT SOM AVGER STRÅLNING ÖVERSTIGANDE GRÄNSEN FÖR LASERKLASS 1.

VARNING : OSYNLIG LASERSTRÅLNING NÄR DENNA DEL ÄR ÖPPNAD: BETRakta EJ STRÅLEN.

Danish

- ① DETTE MÆRKAT ER ANBRAGT SOM VIST I ILLUSTRATIONEN FOR AT ADVARE BRUGEREN OM AT APPARATET INDEHOLDER EN LASERKOMPONENT.
- ② DETTE MÆRKAT OM LASEREN ER ANBRAGT PÅ APPARATET SOM EN OPLYSNING OM AT APPARATET INDEHOLDER ET LASERKOMPONENT.

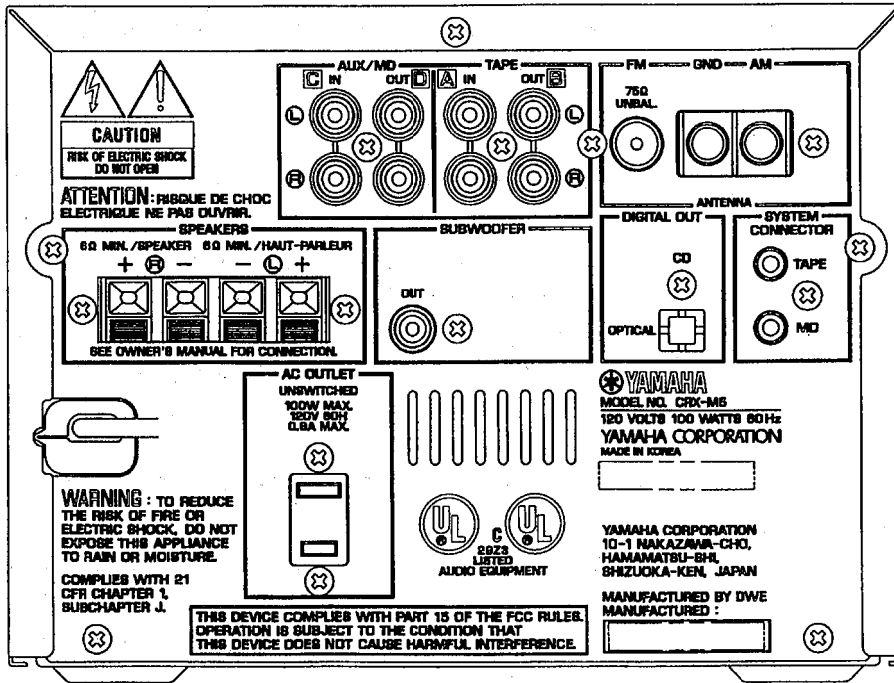
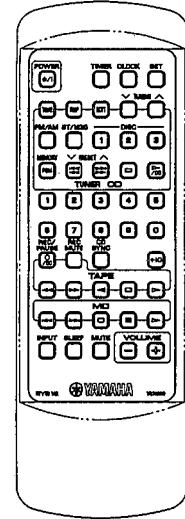
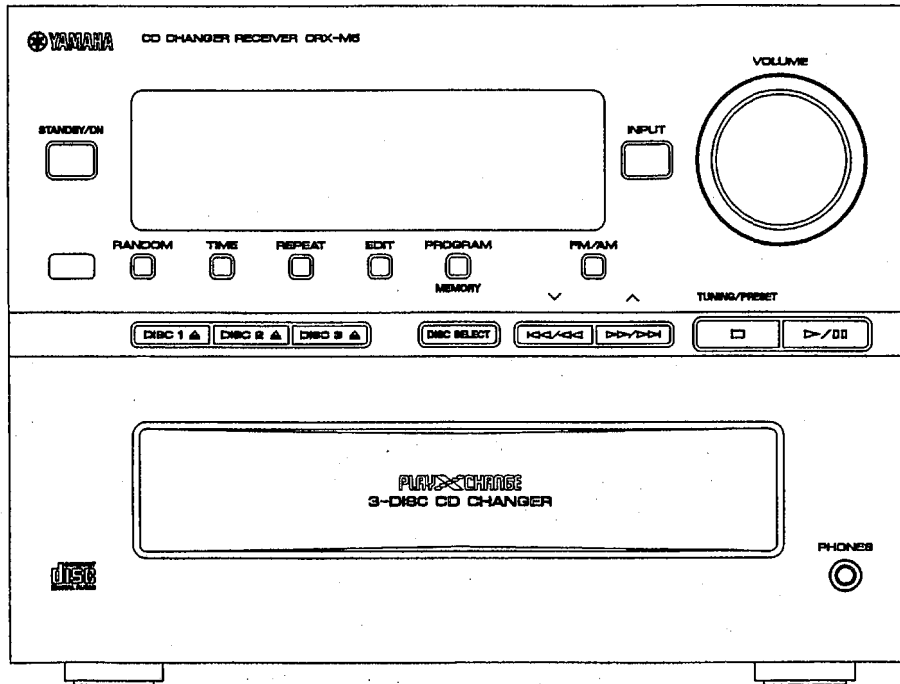
ADVARSEL : INDGREG BOR KUN FORETAGES AF EN FAGMAND DA DER ER RISIKO FOR RADIOAKTIV STRÅLING.

ADVARSEL : USYNLIG LASERSTRÅLING VED ÅBNING.
UNDGÅ UDSAETTEELSE FOR STRÅLING.

Finnish

VARO! :
AVATTAESSA OLET ALTTIINA NÄKYMÄTTÖMÄLLE LASERSÄTEILYLLE. ÄLÄ KATSO SÄTEESEEN.

FRONT PANEL/REAR PANEL



AC Outlet (U, C, G, L, R models)
Unswitched Outlet x 1 100W max

CRX-M5

■ SPECIFICATIONS

■ CRX-M5

AMPLIFIER SECTION

Minimum RMS Output Power per Channel

1kHz, 0.1% THD, 6Ω 15W + 15W

Maximum Power (L, R only)

1kHz, 10% THD, 6Ω 20W + 20W

DIN Standard Output Power per Channel (B, G only)

1kHz, 0.7% THD, 6Ω 15W + 15W

Input Sensitivity/Impedance

MD/AUX 400mV/47kΩ

TAPE 400mV/47kΩ

TUNER SECTION

FM Tuning Range

U, C models 87.5 to 108.0MHz

A, B, G, L, R models 87.50 to 108.00MHz

AM Tuning Range

U, C models 530 to 1720kHz

A, B, G, L, R models 522 to 1611kHz

Sensitivity

FM (S/N 30dB) 10dB

AM (S/N 20dB) 50dB

CD PLAYER SECTION

Type 3 Discs automatic changer

D/A Converter 1bit DAC

Frequency Response (20 to 20000Hz) ± 1dB

Wow & Flutter Unmeasurable

GENERAL

Power Supply

U, C models AC120V, 60Hz

A model AC240V, 50Hz

B, G, L models AC230V, 50Hz

R model AC115/230V, 50/60Hz

Power Consumption 190W

U, C models 100W

A, B, G, L, R models 90W

Dimensions (W X H X D) 200 X 150 X 329mm

(7-7/8" X 5-7/8" X 12-15/16")

Weight 5.0kg (11 lbs.)

Accessories AM loop antenna X 1

Indoor FM antenna X 1

Remote Control Transmitter X 1

Battery (size "AA", R06) X 2

* Specifications subject to change without notice.

■ NX-M5

Type 2-way bass reflex

Speakers 10cm (3-15/16") woofer

2.5cm (1") tweeter

Nominal Impedance 6Ω

Nominal Input Power 20W

Maximum Input Power 40W

Dimensions (W X H X D) 150 x 225 x 202mm

(5-7/8" X 8-7/8" X 7-15/16")

Weight 2.4kg (5 lbs. 4oz.) x 2

Accessories Speaker Cord (2m) x 2

* Specifications subject to change without notice.

U U.S.A model
 C Canadian model
 R General model
 A Australian model
 B British model
 G European model
 L Singapore model

DISASSEMBLY PROCEDURES (Remove parts in the order as numbered.)

1. Removal of Top Cover

Remove 5 screws (①) in Fig. 1.

2. Removal of Panel Unit

- a. Remove 4 screws (②) and 2 screws (③), and then remove the Main Bracket in Fig. 1.
- b. Disconnect the Flat Connecting Cable (PN401) and the Connectors (PN402, PN403) in Fig. 2
- c. Remove 2 screws (④) and 4 screws (⑤) in Fig. 1.
- d. Detach the Hooks and then remove the Panel Unit in Fig. 1.

3. Removal of EQ/TUNER P.C.B.

- a. Disconnect the Connectors (PN651, PN321) in Fig. 2.
- b. Remove 4 screws (⑥) in Fig. 3.
- c. Detach the P.C.B. Supporters (⑦) and then remove the EQ/TUNER P.C.B. in Fig. 2.

4. Removal of SUB P.C.B.

- a. Disconnect the Connectors (PN503, PN510) in Fig. 2.
- b. Remove 4 screws (⑧) and then remove the SUB P.C.B. in Fig. 2.

5. Removal of AMP/CD P.C.B.

- a. Disconnect the Flat Connecting Cables (PN801, PN802) and the Connectors (PN803, PN804, PN805) in Fig. 4.
- b. Remove 4 screws (⑨) in Fig. 4.
- c. Remove 5 screws (⑩) and then remove the AMP/CD P.C.B. in Fig. 3.

6. Removal of CD Mechanism Unit (refer to page 52)

Remove 2 screws (⑪), 2 screws (⑫) and a screw (⑬) in Fig. 5.

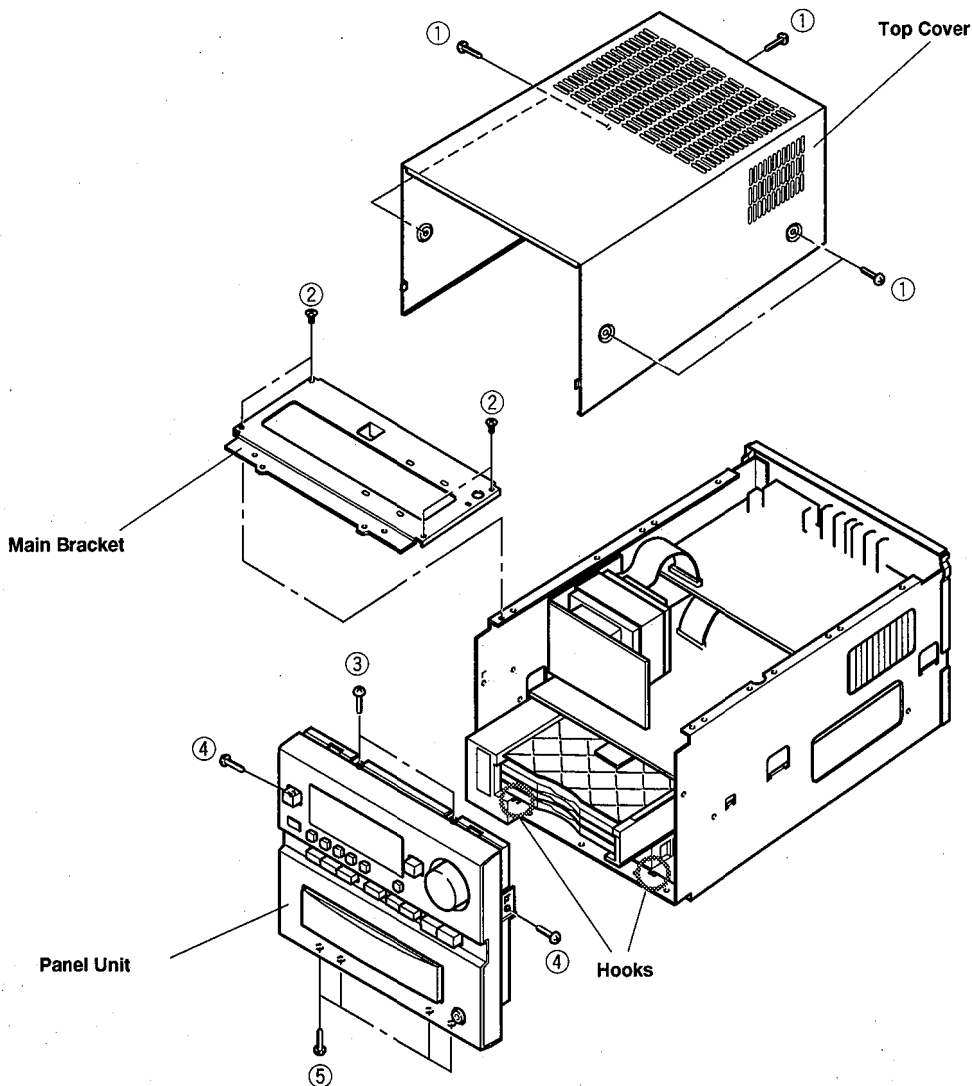


Fig. 1

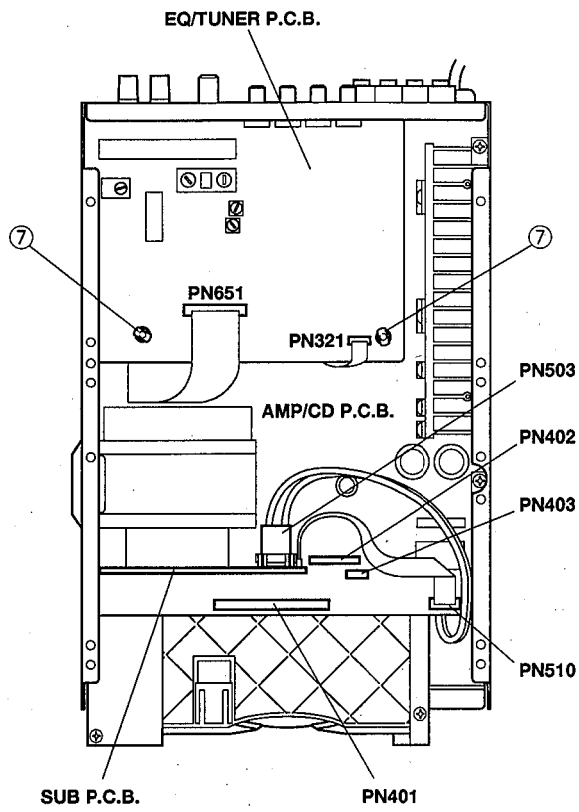


Fig. 2

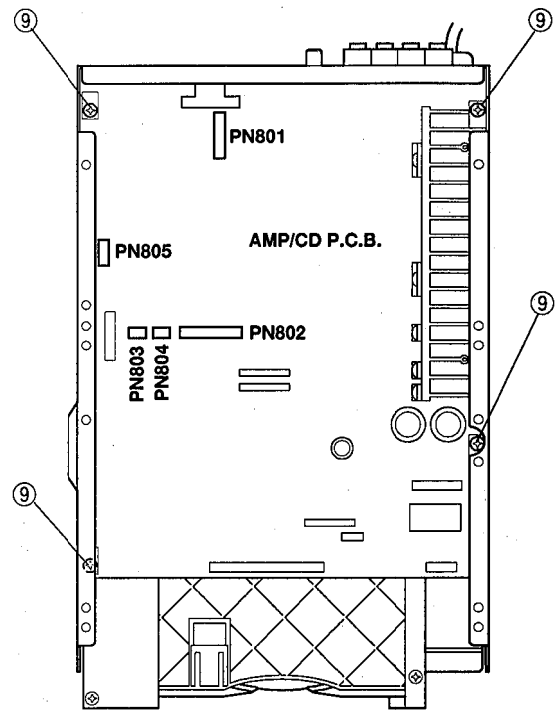


Fig. 4

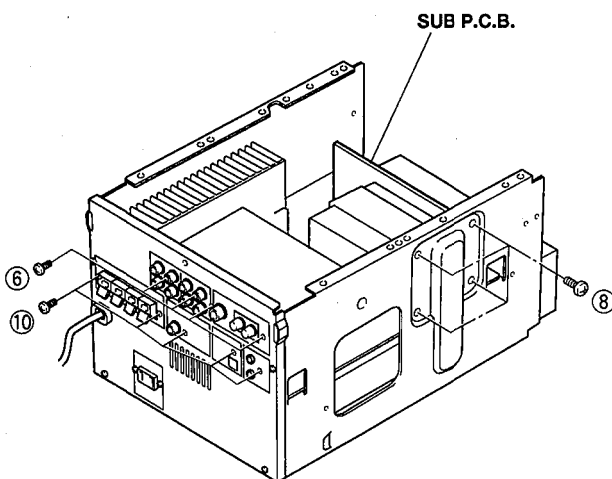


Fig. 3

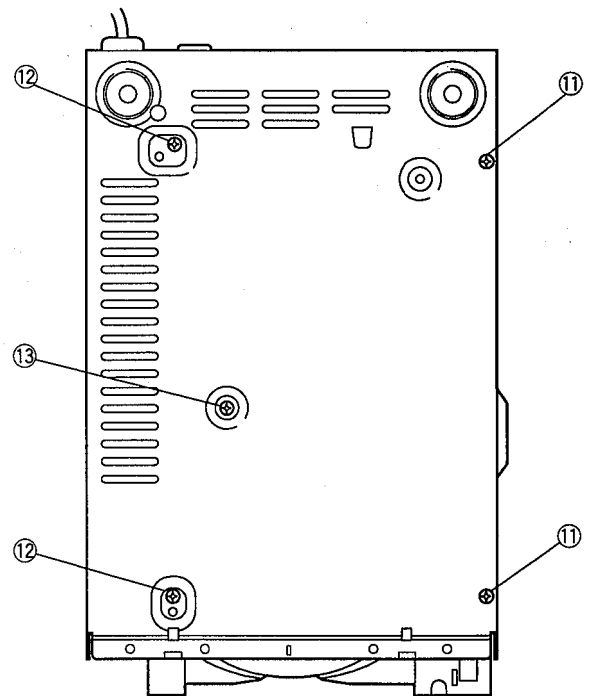
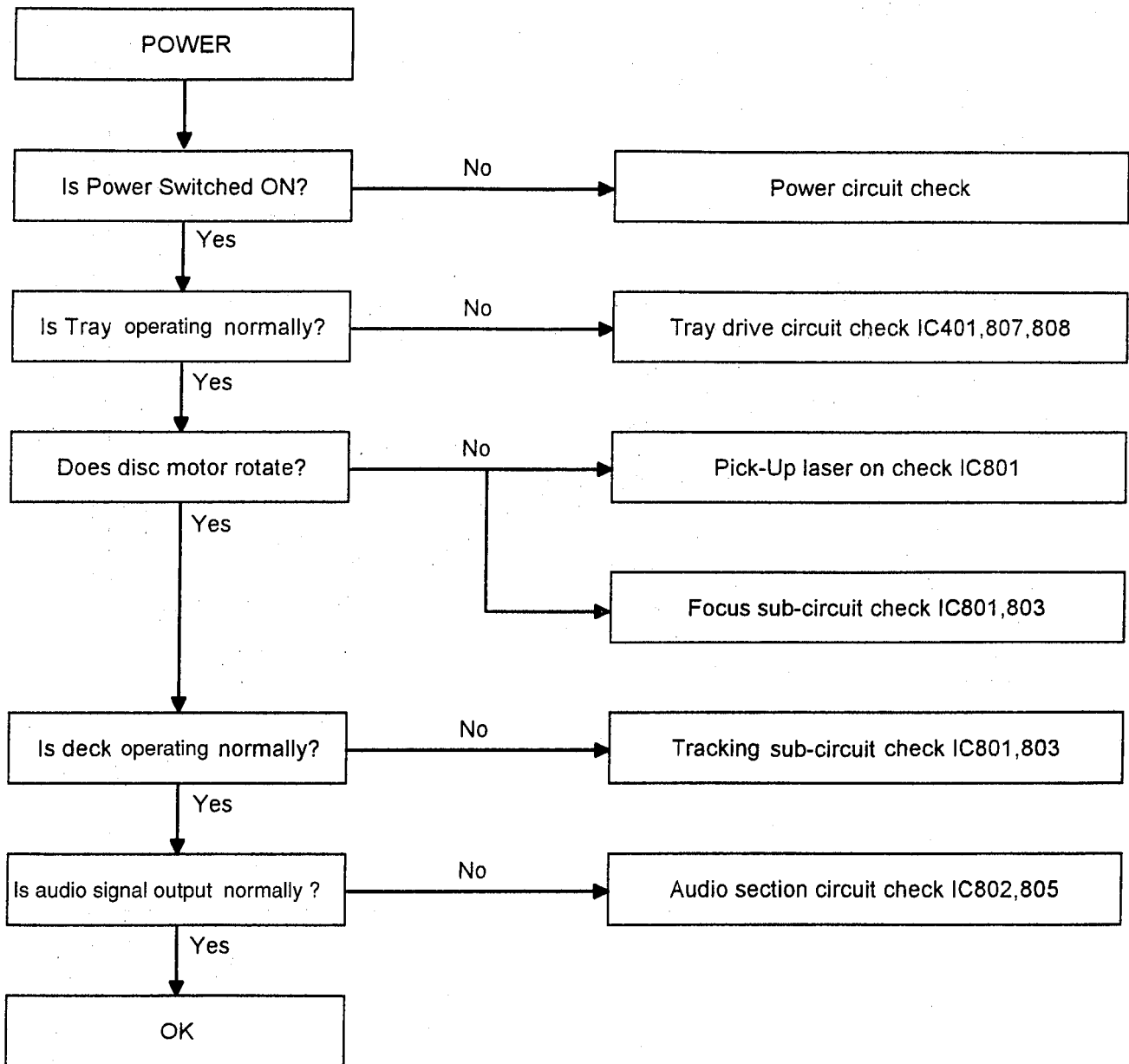
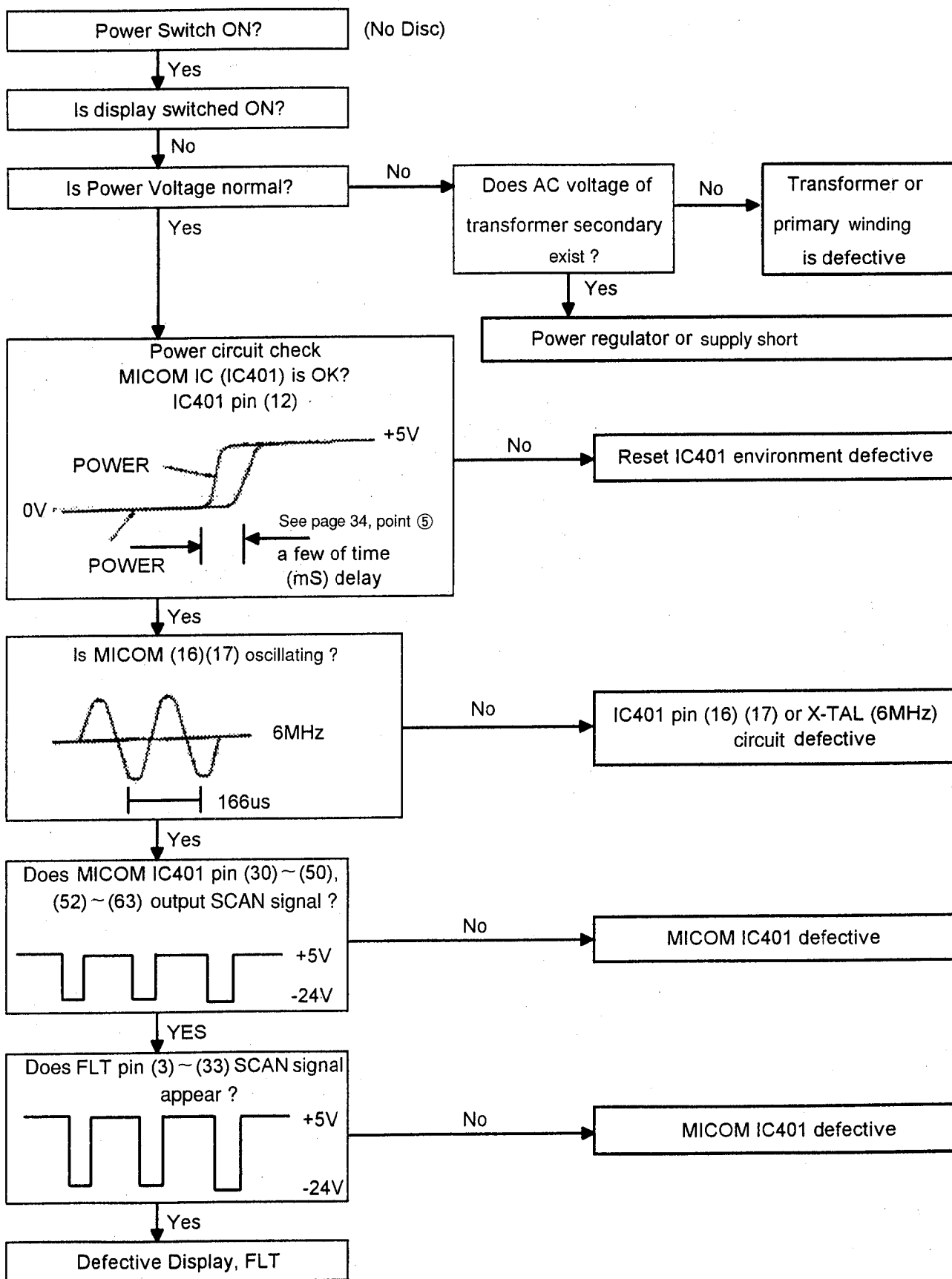


Fig. 5

■ CD TROUBLESHOOTING

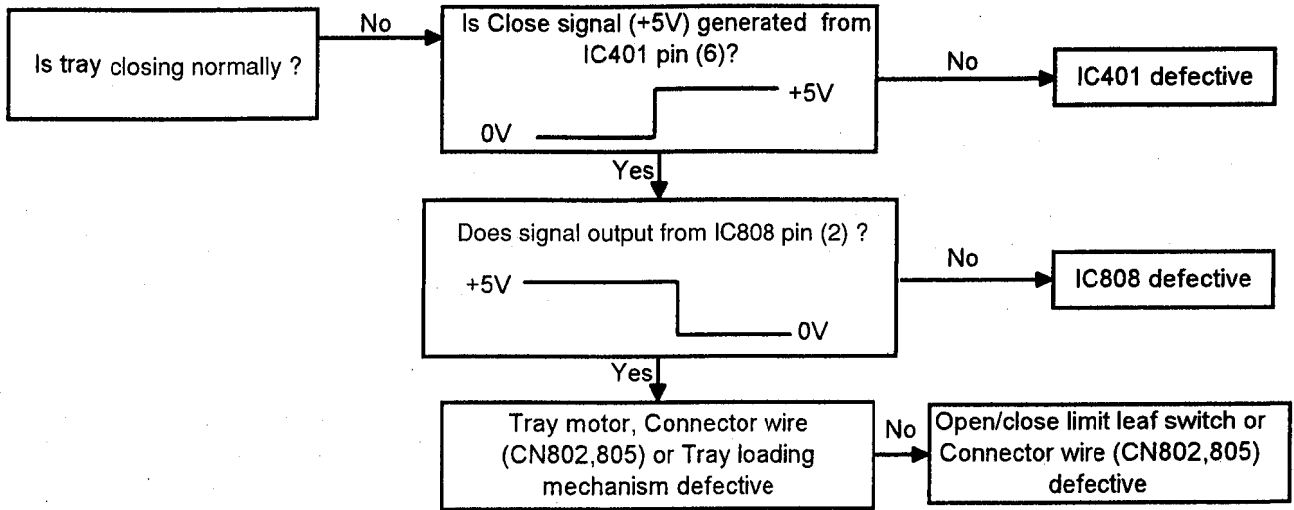


1. Display Check

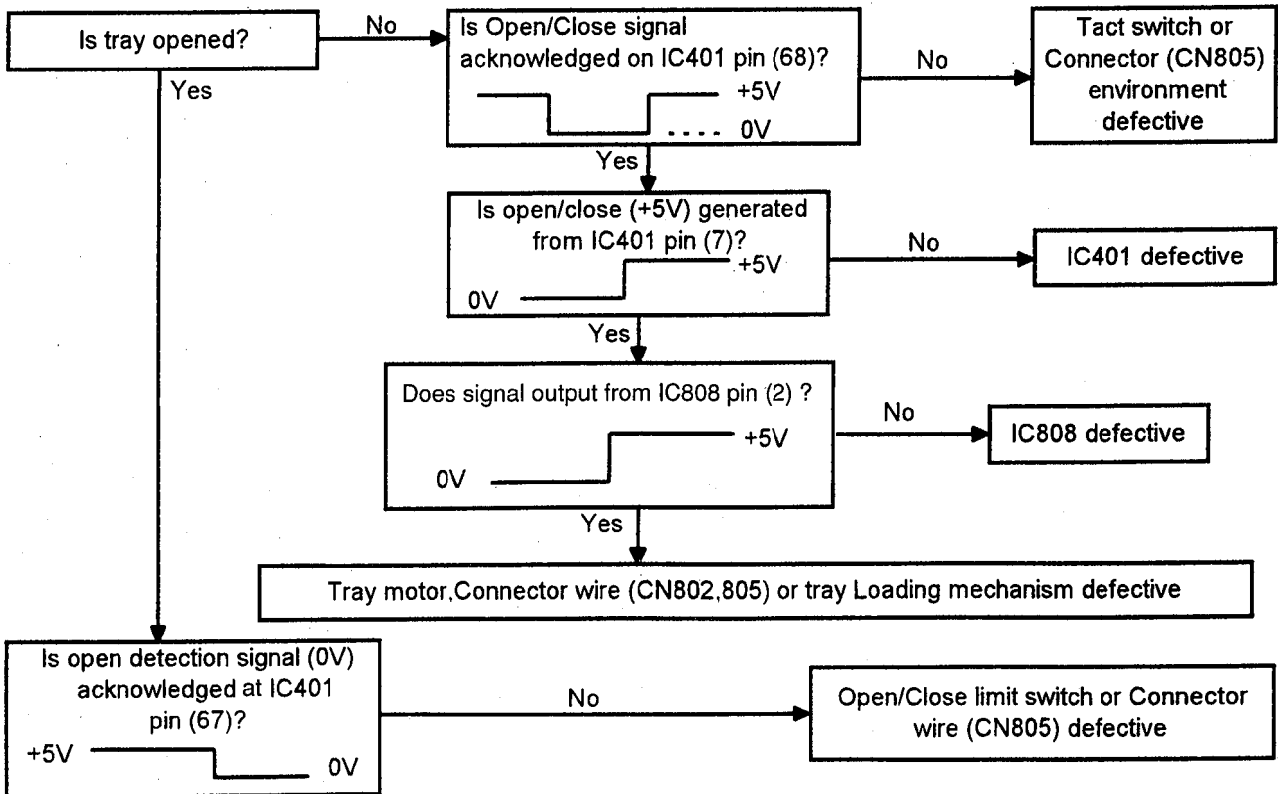


CRX-M5

2. Tray check



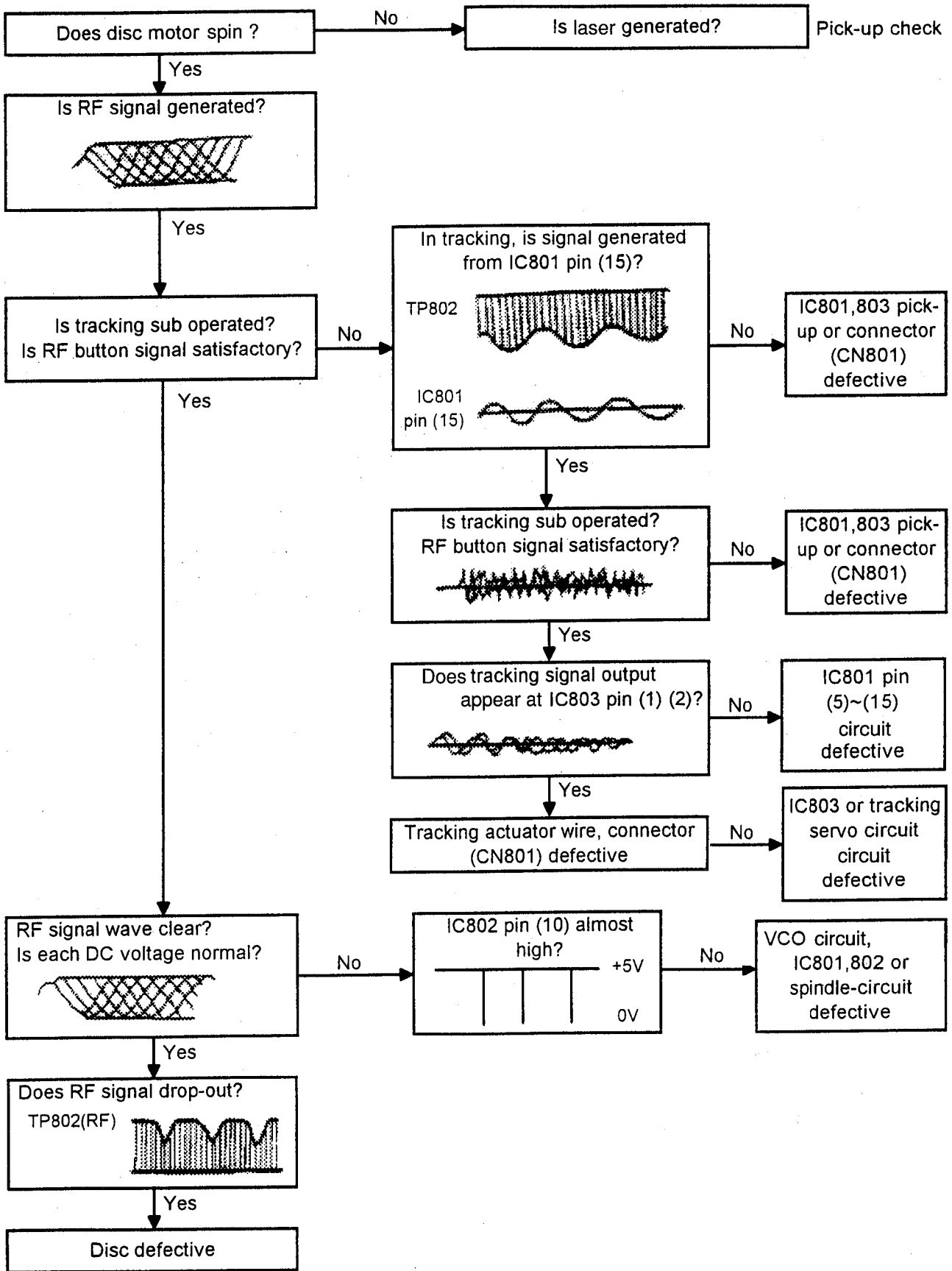
As for tray, if it is not closed fully within 9 seconds since close-leaf-switch is closed, it opens automatically.



If tray open leaf switch is not operated within 9 seconds after pushing open button, tray is closed again.

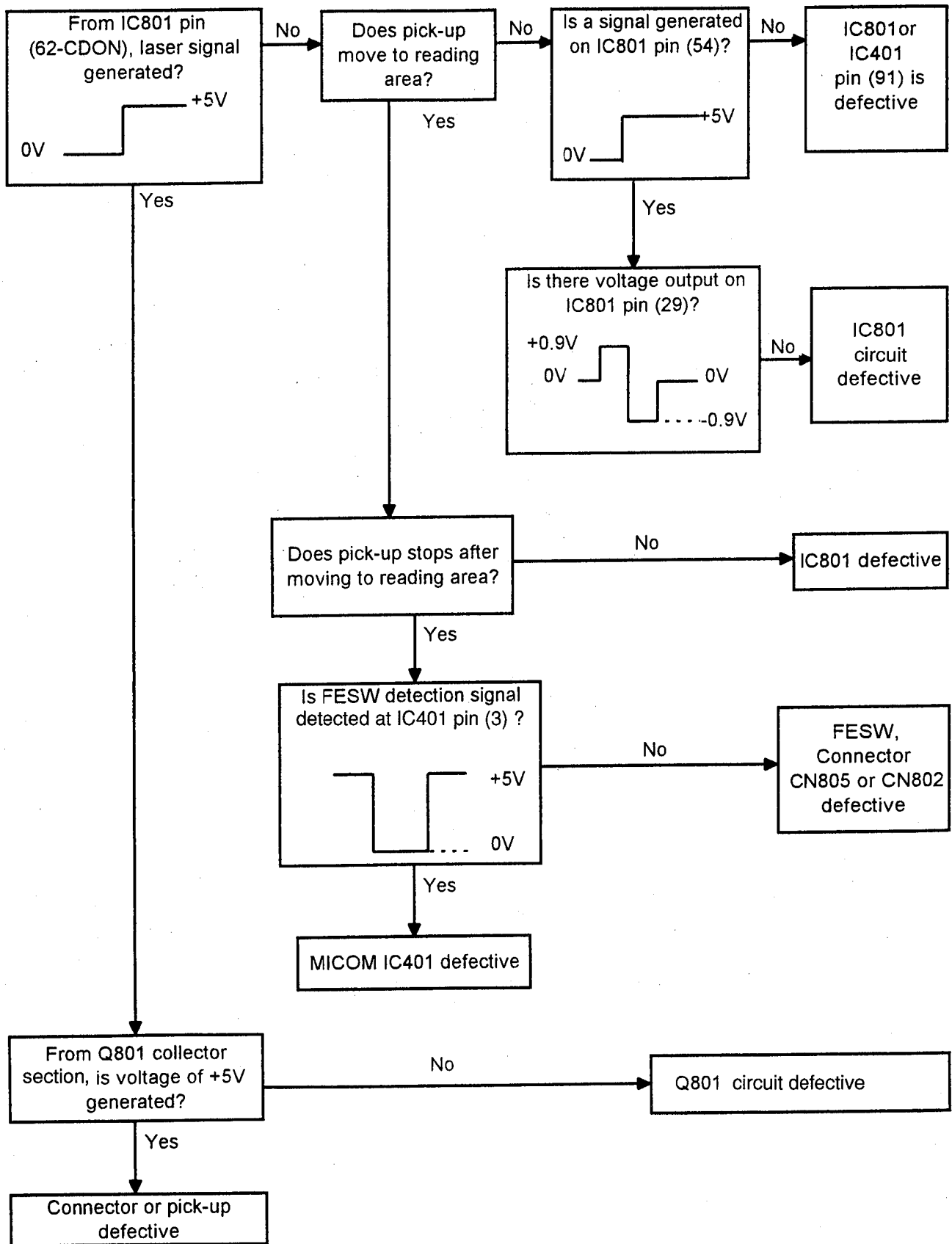
And it is opened after tray open & close repeat 2 times every 9 second.

3. Disc Check

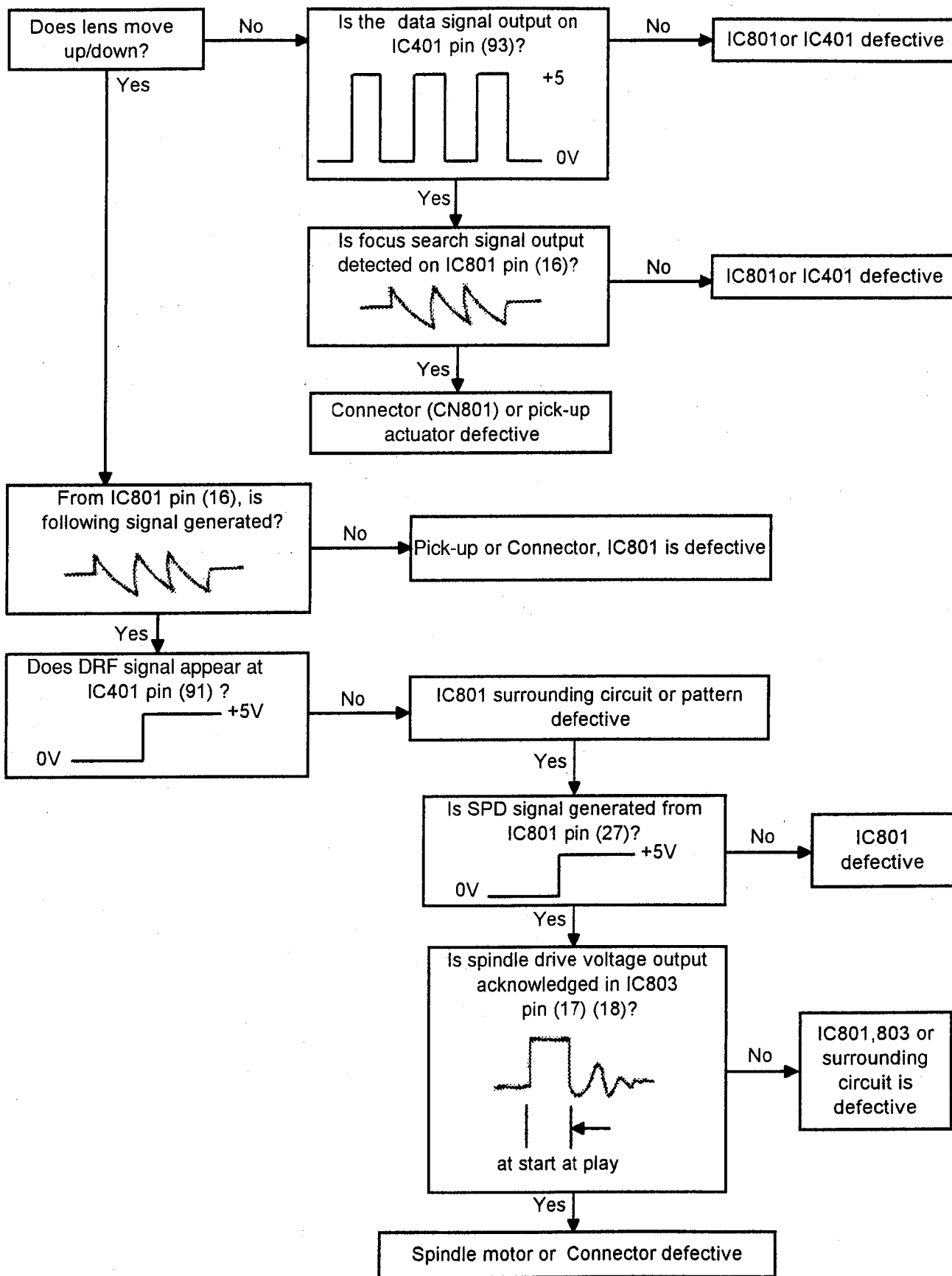


CRX-M5

(A) When Laser Diode does not emit light

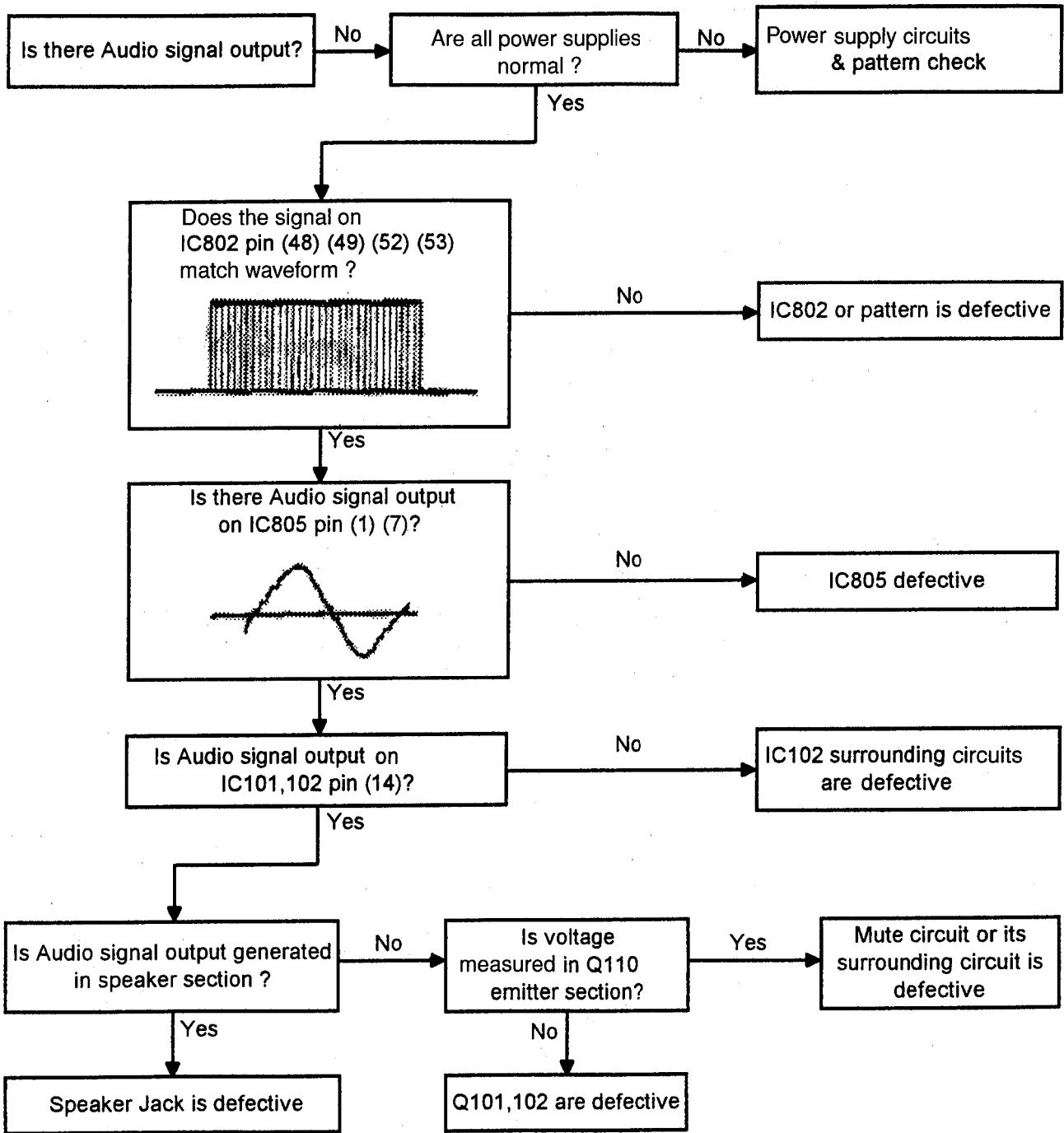


(B) In case Laser Diode emit light



CRX-M5

4. Audio circuit repair



CRX-M5

■ TUNER ADJUSTMENTS

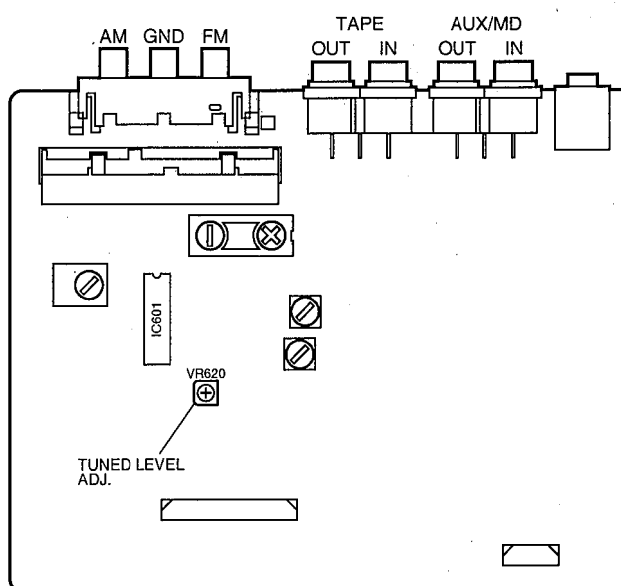
● Measuring Instruments

- FM signal generator (FM SG)
- Stereo signal generator (SSG)
- AC voltmeter (ACVM)
- DC voltmeter (DCVM)
- Oscilloscope

● Before Adjustment

- 1) For dB, $1\mu V = 0dB\mu$
Example : $60dB\mu = 1mV$
- 2) 100% modulation means that the frequency deviation is $\pm 75kHz$.
- 3) Install the Matching Transformer and connect FM SG.
- 4) Set each switch to the following position unless otherwise specified.

INPUT SELECTOR TUNER
 TUNING MODE AUTO

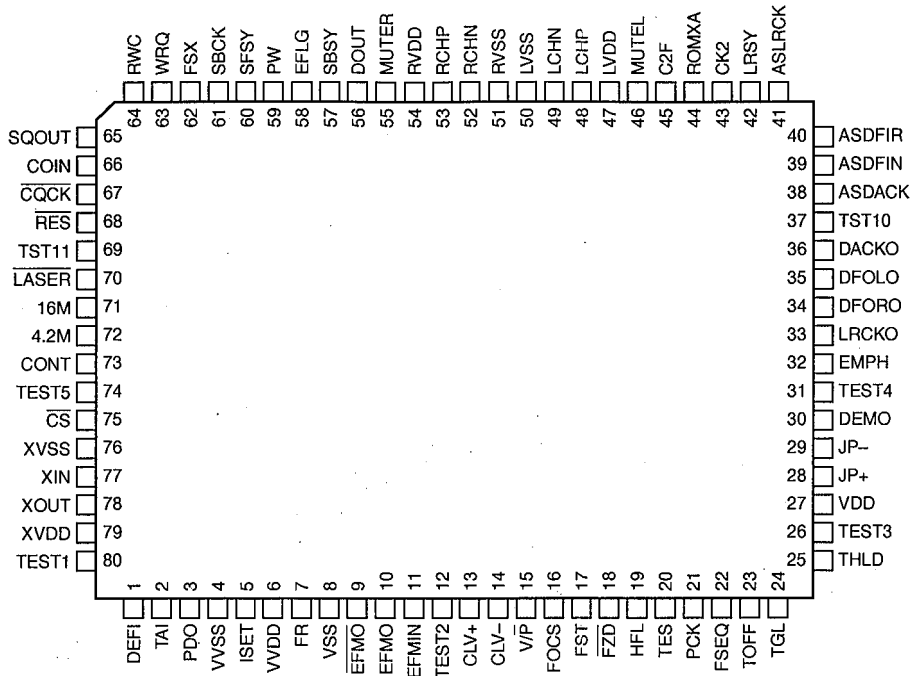


CRX-M5

Step	Adjustment item	Signal (ANT IN)	Reception frequency	Adjusted point	Test point	Rating
1	Adjustment of Tuned level	FM ANT (75Ω) 98.1MHz 23dBμ Stereo L or R 1kHz 100% modulation	98.1MHz	VR620		Adjust so that TUNED segments light.
		- 2dB				Check to ensure that TUNED segments turn OFF.
2	Verification of auto tuning	FM ANT (75Ω) 98.1MHz 17 to 29dBμ Stereo L or R 1kHz, 100% modulation	98.1MHz			<ul style="list-style-type: none"> • Automatic reception should be available when the tuning key is moved UP and DOWN. • Audio muting should be applied during tuning.

■ IC DATA

IC802 : LC78621E
 DSP(Digital Signal Processor)

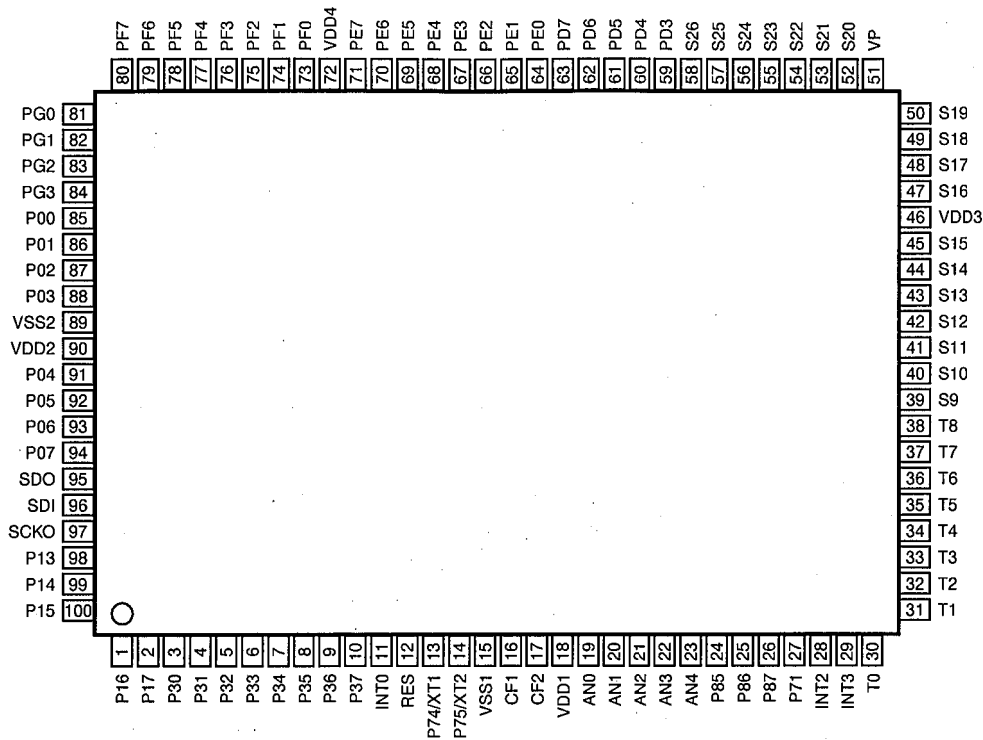


Pin No.	Name	I/O	Function
1	DEFI	I	Defect detect signal (DEF) input ("L" when not used)
2	TAI	I	Test input terminal with built-in pull-down resistor (for PLL)
3	PDO	O	Phase comparison output terminal for external VCO control (for PLL)
4	VVSS		GND terminal for built-in VCO, normally 0V (for PLL)
5	ISET	AI	Resistor connecting terminal for PDO output current adjustment (for PLL)
6	VVDD		Power supply for built-in VCO, normally 5V (for PLL)
7	FR	AI	Input terminal for VCO frequency range adjustment (for PLL)
8	VSS		GND for digital circuit, normally 0V
9	/EFMO	O	EFM signal reverse output (for slice level control)
10	EFMO	O	EFM signal output (for slice level control)
11	EFMIN	I	EFM signal input (for slice level control)
12	TEST2	I	Test input terminal with built-in pull-down resistor
13	CLV+	O	Spindle servo control output terminal, acceleration when CLV+ is "H". 3 values output available according to command.
14	CLV-	O	Spindle servo control output, deceleration when CLV- is "H". 3 values output available according to command.
15	V/P	O	Rough servo/phase control automatic switching monitor output, rough servo at "H" and phase control mode at "L".
16	FOCS	O	Focus servo ON/OFF output, focus servo ON at "L"
17	FST	O	Focus start pulse output, open drain output
18	/FZD	I	Focus error zero cross signal input ("L" when not used)
19	HFL	I	Track detect signal input terminal, Schmidt input
20	TES	I	Tracking error signal input, Schmidt input
21	PCK	O	Clock monitor terminal for EFM data reproduction, 4.3218MHz for phase clock
22	FSEQ	O	Synchronous signal detect output, "H" when synchronous signal detected from EFM signal agrees with internally produced synchronous signal
23	TOFF	O	Tracking OFF output
24	TGL	O	Tracking gain switching output, gain is raised at "L"
25	THLD	O	Tracking hold output

IC802 : LC78621E
DSP(Digital Signal Processor)

Pin No.	Name	I/O	Function
26	TEST3	I	Test input terminal with built-in pull-down resistor (for PLL)
27	VDD		Power supply for digital circuits, normally 5V
28	JP+	O	Output terminal for track jumping, with JP+ at "H", acceleration when jumping to outer track or deceleration when jumping to inner track, 3 values output available according to command.
29	JP-	O	Output terminal for track jumping, with JP- at "H", acceleration when jumping to inner track or deceleration when jumping to outer track, 3 values output available according to command.
30	DEMO	I	Sound production function input terminal for set adjustment process with built-in pull-down resistor
31	TEST4	I	Test input terminal with built-in pull-down resistor
32	EMPH	O	De-emphasis monitor output, de-emphasis disc being reproduced at "H"
33	LRCKO	O	Word clock output (digital filter output)
34	DFORO	O	Rch data output (digital filter output)
35	DFOLO	O	Lch data output (digital filter output)
36	DACKO	O	Beat clock output (digital filter output)
37	TST10	O	Test output terminal, open (normally "L" output)
38	ASDACK	I	Beat clock input, anti-shock response input ("L" when not used)
39	ASDFIN	I	L/Rch data input, anti-shock response input ("L" when not used)
40	ASDFIR	O	Test input terminal (normally "L"). Anti-shock response input ("L" when not used)
41	ASLRCK	O	Word clock input, anti-shock response input ("L" when not used)
42	LRSY	O	L/R clock output, ROMXA response output
43	CK2	O	Bit clock output (at RES) Polarity reverse clock output (when in CK2CON mode), ROMXA response output
44	ROMXA	O	Interpolation data output (at RES) ROM data output (when in ROMXA mode), ROMXA response output
45	C2F	O	C2 flag output, ROMXA response output
46	MUTEL	O	Lch mute output (for 1bit DAC)
47	LVDD		Lch power supply terminal, normally 5V (for 1bit DAC)
48	LCHP	O	Lch-P output (for 1bit DAC)
49	LCHN	O	Lch-N output (for 1bit DAC)
50	LVSS		Lch GND, normally 0V (for 1bit DAC)
51	RVSS		Rch GND, normally 0V (for 1bit DAC)
52	RCHN	O	Rch-N output (for 1bit DAC)
53	RCHP	O	Rch-P output (for 1bit DAC)
54	RVDD		Rch power supply terminal, normally 5V (for 1bit DAC)
55	MUTER	O	Rch mute output (for 1bit DAC)
56	DOUT	O	Digital OUT output
57	SBSY	O	Sub-code block synchronous signal output
58	EFLG	O	C1, C2, single, double correction monitor terminal
59	PW	O	Sub-codes P, Q, R, S, T, U, V, W output
60	SFSY	O	Sub-code frame synchronous signal output, falling when sub-code is in standby state.
61	SBCK	I	Sub-code read clock input, Schmidt input ("L" when not used)
62	FSX	O	7.35kHz synchronous signal (divided from X'tal oscillation) output
63	WRQ	O	Sub-code Q output standby output
64	RWC	I	Read/write control input, Schmidt input
65	SQOUT	O	Sub-code Q output
66	COIN	I	Input terminal for command from microprocessor
67	/CQCK	I	Input terminal for command input intake clock or sub-code take out clock from SQOUT, Schmidt input
68	/RES	I	Chip reset input, should be set to "L" once at power supply ON.
69	TST11	O	Test output, open (normally "L" output)
70	/LASER	O	Laser ON/OFF output, controlled by serial data command from microprocessor
71	16M	O	16.9344MHz output terminal, however, 33.8688MHz output only in 4-times speed reproduction mode.
72	4.2M	O	4.2336MHz output
73	CONT	O	Spare control output terminal, controlled by serial data command from microprocessor
74	TEST5	I	Test input terminal with built-in pull down resistor
75	/CS	I	Chip select input terminal with built-in pull-down resistor
76	XVSS		X'tal oscillation GND, normally 0V
77	XIN	I	16.9344MHz X'tal oscillator connecting terminal, 33.8688MHz X'tal oscillator connected for 4-times speed reproduction system
78	XOUT	O	16.9344MHz X'tal oscillator connecting terminal, 33.8688MHz X'tal oscillator connected for 4-times speed reproduction system
79	XVDD		X'tal oscillation power supply, normally 5V
80	TEST1	I	Test input terminal with built-in pull-down resistor

IC401 : LC866540
8 bit μ -COM



Pin No.	Port	Name	Function	(Active)
1	P16	FEED +	CD slide motor inner signal output	(H)
2	P17	FEED -	CD slide motor outer signal output	(H)
3	P30	LIMIT	CD pick-up inner position sensing input	(L)
4	P31	LIFT UP	CD mecha. lift up motor output	(H)
5	P32	LIFT DN	CD mecha. lift down motor output	(H)
6	P33	TRAY CLOSE	CD tray close signal output	(H)
7	P34	TRAY OPEN	CD tray open signal output	(H)
8	P35	LED1-2	CD disc 1 red LED output	(H)
9	P36	LED1-1	CD disc 1 green LED output	(H)
10	P37	FM BEAT	FM beat noise remove signal output	(H)
11	INT0	P-SENSE	Power fail sensing signal output	(H)
12	RES	RESET	System reset signal input	(L)
13	P74/XT1	XT1	32.768kHz clock output	
14	P75/XT2	XT2	32.768kHz clock input	
15	VSS1	GND	GND	
16	CF1	CF1	6MHz main clock input	
17	CF2	CF2	6MHz main clock output	
18	VDD1	VDD1	Microprocessor power input (5V)	
19	AN0	KEY1	Front key A/D input	
20	AN1	KEY2	Front key A/D input	
21	AN2	HOM/UNC/JAM	CD mechanism position check input	(L)
22	AN3	TUNED	Tuner PLL tuned input	(L)
23	AN4	LED2-2	CD disc 2 red LED output	(H)
24	P85	LED2-1	CD disc 2 green LED output	(H)
25	P86	LED3-2	CD disc 3 red LED output	(H)
26	P87	LED3-1	CD disc 3 green LED output	(H)
27	P71	RMCN	Remocon signal input	(L)

IC401 : LC866540
8 bit μ -COM

Pin No.	Port	Name	Function	(Active)
28	INT2	TUN SYNC	RDS data sync. signal input	(L)
29	INT3	WRQ	CD write request signal input	(H)
30	T0	G1	FIP grid 1 signal	(H)
31	T1	G2	FIP grid 2 signal	(H)
32	T2	G3	FIP grid 3 signal	(H)
33	T3	G4	FIP grid 4 signal	(H)
34	T4	G5	FIP grid 5 signal	(H)
35	T5	G6	FIP grid 6 signal	(H)
36	T6	G7	FIP grid 7 signal	(H)
37	T7	G8	FIP grid 8 signal	(H)
38	T8	G9	FIP grid 9 signal	(H)
39	S9	G10	FIP grid 10 signal	(H)
40	S10	G11	FIP grid 11 signal	(H)
41	S11	G12	FIP grid 12 signal	(H)
42	S12	—	—	
43	S13	P19	FIP segment 19 signal	(H)
44	S14	P18	FIP segment 18 signal	(H)
45	S15	P17	FIP segment 17 signal	(H)
46	VDD3	VDD3	Microprocessor power input (5V)	
47	S16	P16	FIP segment 16 signal	(H)
48	S17	P15	FIP segment 15 signal	(H)
49	S18	P14	FIP segment 14 signal	(H)
50	S19	P13	FIP segment 13 signal	(H)
51	VP	VP	FIP power input (-29.8V)	
52	S20	P12	FIP segment 12 signal	(H)
53	S21	P11	FIP segment 11 signal	(H)
54	S22	P10	FIP segment 10 signal	(H)
55	S23	P9	FIP segment 9 signal	(H)
56	S24	P8	FIP segment 8 signal	(H)
57	S25	P7	FIP segment 7 signal	(H)
58	S26	P6	FIP segment 6 signal	(H)
59	PD3	P5	FIP segment 5 signal	(H)
60	PD4	P4	FIP segment 4 signal	(H)
61	PD5	P3	FIP segment 3 signal	(H)
62	PD6	P2	FIP segment 2 signal	(H)
63	PD7	P1	FIP segment 1 signal	(H)
64	PE0	OPTION	Option input	
65	PE1	ENCODER -	Encoder volume (-) signal input	(H)
66	PE2	ENCODER +	Encoder volume (+) signal input	(H)
67	PE3	OPEN	CD tray open switch signal input	(L)
68	PE4	CLOSE	CD tray close switch signal input	(L)
69	PE5	H-CNT	CD mecha. holder count signal input	(L)
70	PE6	TU-B	CD mecha. pick-up position-B input	(-)
71	PE7	TU-A	CD mecha. pick-up position-A input	(-)
72	VDD4	VDD4	Microprocessor power input (5V)	
73	PF0	DSSENS	CD disc sense signal input	(H)
74	PF1	LOAD/CLAMP	CD mecha. load/clamp signal input	(L)
75	PF2	TUN.CE	Tuner PLL IC chip enable output	(L)
76	PF3	TUN.ST	Tuner stereo signal input	(L)
77	PF4	BUSY	Serial communication BUSY signal in/out	
78	PF5	S.DATA	Serial communication DATA signal in/out	
79	PF6	P-RLY	Power relay control output	(H)
80	PF7	N.C	—	
81	PG0	ST-BY	TDA7318 stand-by signal output	(L)
82	PG1	SDA	TDA7318 data signal output	
83	PG2	SCL	TDA7318 clock signal output	
84	PG3	A.MUTE	Audio mute control output	(H)

CRX-M5

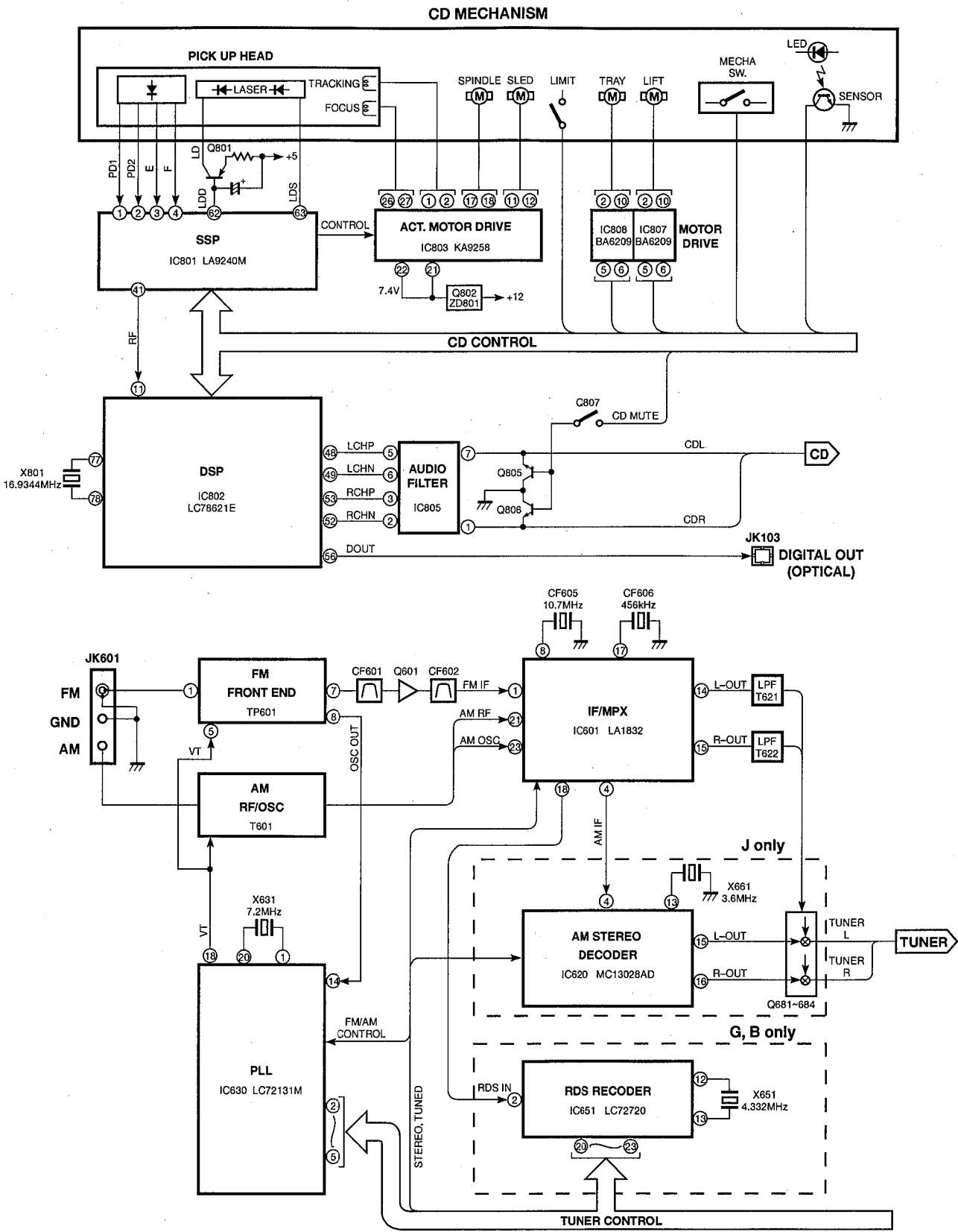
IC401 : LC866540
8 bit μ -COM

Pin No.	Port	Name	Function	(Active)
85	P00	N.C	—	
86	P01	CD RWC	CD ASP/DSP command write signal output	(L)
87	P02	XRST	CD ASP/DSP reset signal output	(H)
88	P03	CD MUTE	CD mute output	(H)
89	VSS2	GND	GND	
90	VDD2	VDD2	Microprocessor power input (5V)	
91	P04	CD DRF	CD focus OK signal input	(H)
92	P05	CD TGL	CD track jump signal input	(L)
93	P06	FSEQ	CD disc frame sync. OK signal input	(H)
94	P07	HOLD	Low current mode sensing signal input	(L)
95	SDO	CD DATA	CD data signal output	
96	SDI	CD SQOUT	CD sub Q-code data signal output	
97	SCKO	CD CQCK	CD sub Q-code clock signal output	
98	P13	TUN DO	Tuner PLL data output	
99	P14	TUN DI	Tuner PLL data input	
100	P15	TUN CLK	Tuner PLL clock output	

● **A-D INPUT PORT (Pin 19 and 20) PULL-UP RESISTOR 10k Ω**

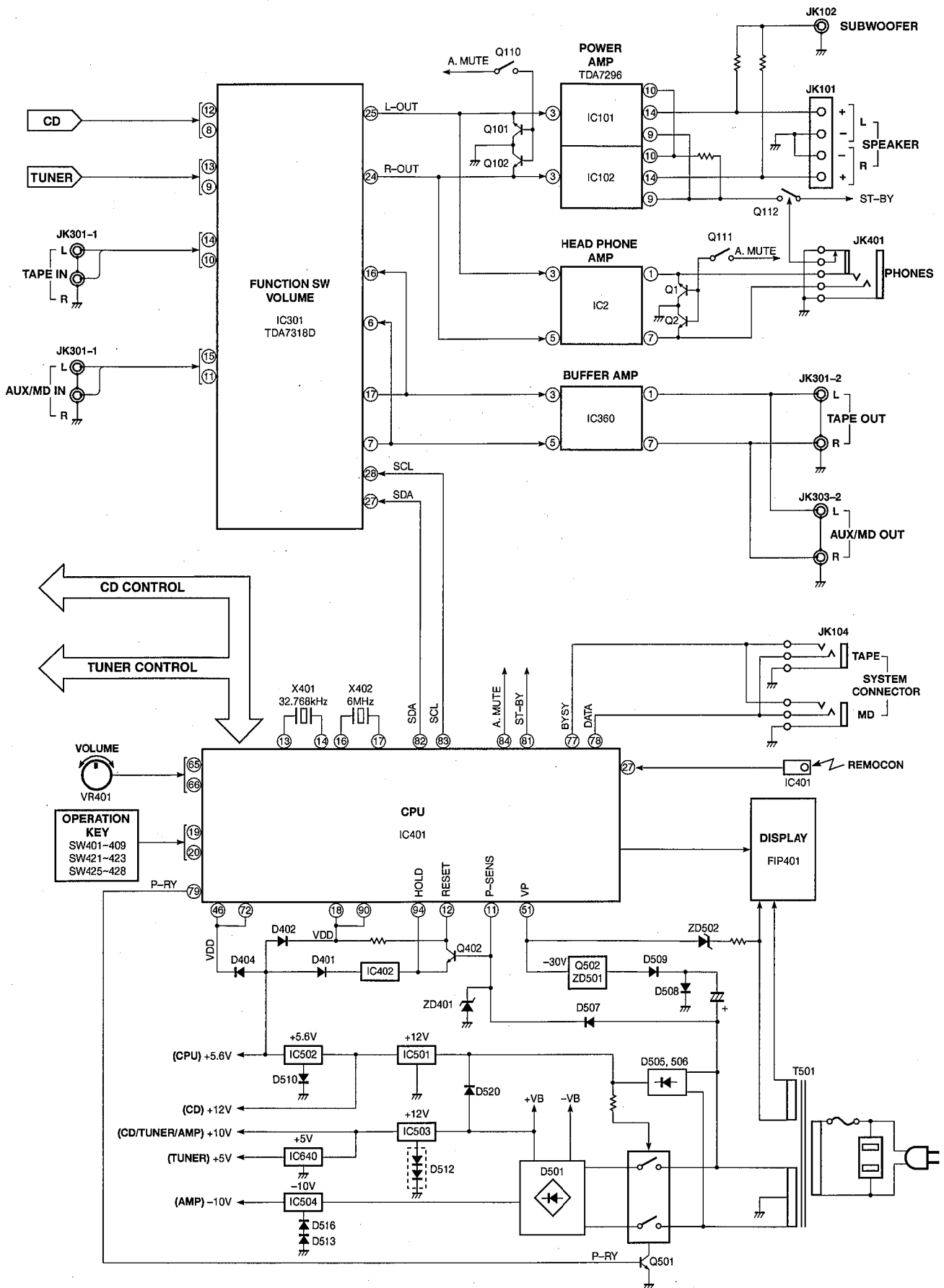
R (Ω)	0	+680	+820	+1.2k	+1.5k	+2.2k	+3.3k	+4.7k	+8.2k
KEY 1 (19pin)	POWER	DISC1	DISC2	DISC3	BAND	RDS	PTY	RT	FUNCTION
KEY 2 (20pin)	NO KEY	STOP (TUNING/PRESET)	PAUSE (MONO/STEREO)	PLAY	SKIP-DOWN (TUNING DOWN)	SKIP-UP (TUNING UP)	PROGRAM (MEMORY)	RANDOM	NO KEY

■ BLOCK DIAGRAM



CRX-M5

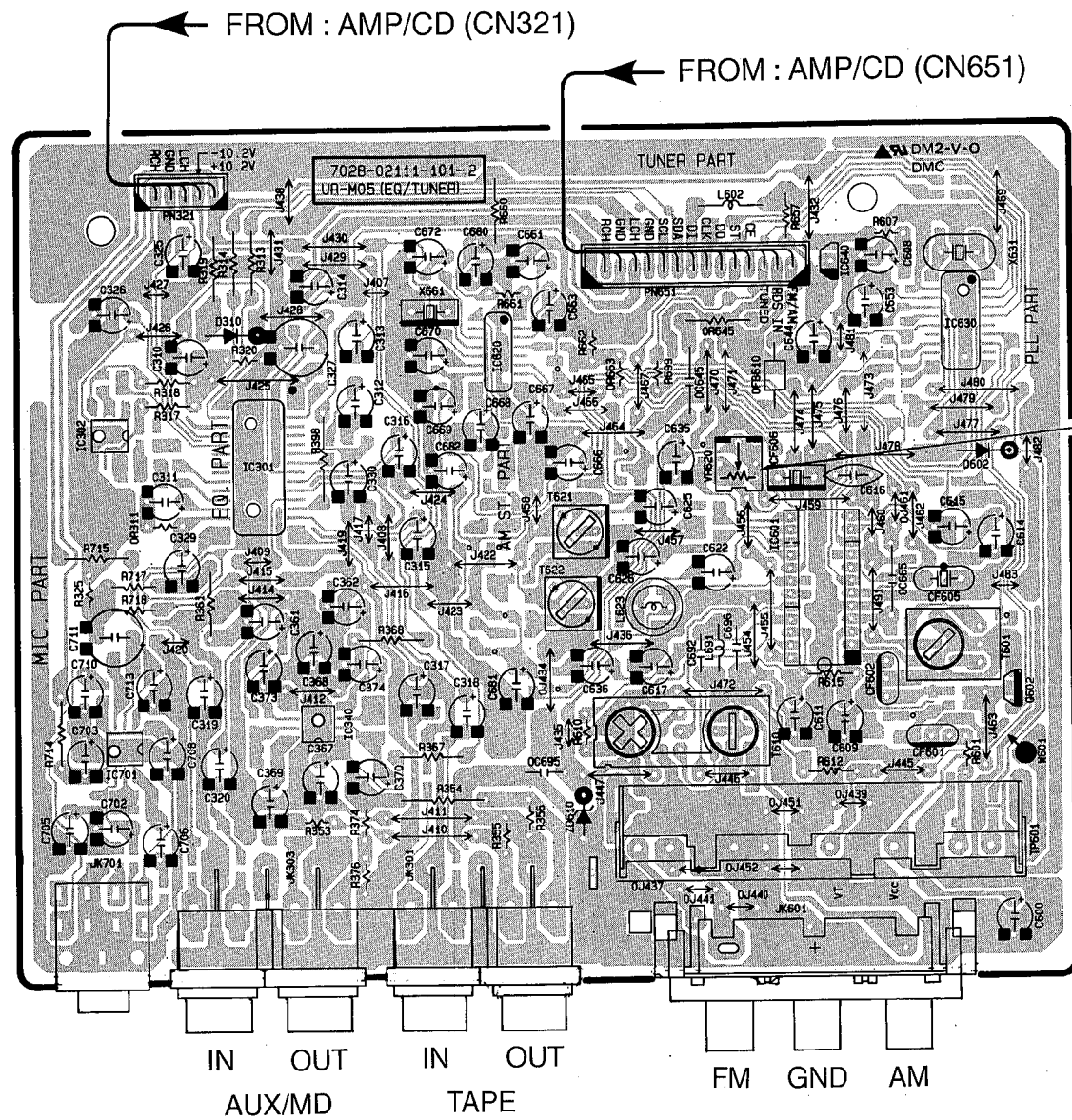
■ BLOCK DIAGRAM



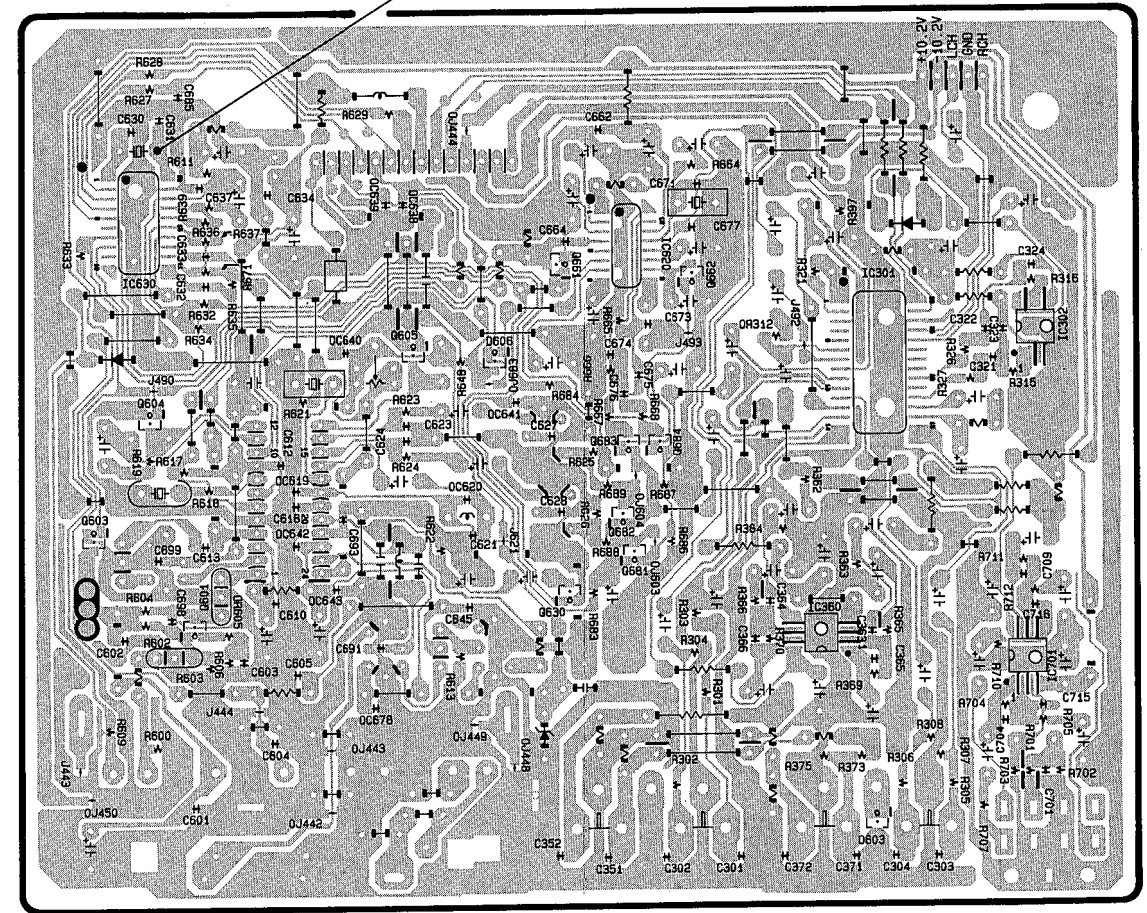
CRX-M5

PRINTED CIRCUIT BOARD / シート図

EQ/TUNER (Component side)



EQ/TUNER (Foil side)



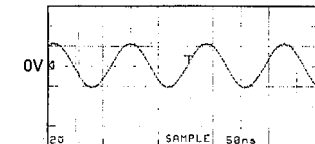
CIRCUIT CHANGES BY MARKET.

	G, B	J	R, A, L	U, C
R460	O	X	X	X
R683, 684	X	O	X	X
R686, 687	X	O	X	X
OR645	O	X	X	X
C613	JUMPER	O	JUMPER	JUMPER
C654	O	X	X	X
C655, 685	O	X	X	X
OC620	O	X	X	X
C696, 698	X	O	X	X
OC638, 639	O	X	O	O
OC640-643	X	O	X	X
OC645	O	X	X	X
OC665, 678	X	O	X	X
OC695	X	X	O	O
J443, 469	O	X	O	O

	G, B	J	R, A, L	U, C
OJ439	O	X	O	O
J463	JUMPER	150(1/6)	BEAD CORE	BEAD CORE
OJ434	X	X	O	O
OJ437	O	X	X	X
OJ442-444	X	O	X	X
OJ448-450	O	X	O	O
OJ451, 452	O	X	O	O
OJ603, 604, 683	O	X	O	O
OJ461	X	O	X	X
ZD610	O	X	X	X
L623	O	JUMPER	JUMPER	JUMPER
AM STEREO PART	X	O	X	X
OFB610	O	X	X	X
W601	O	O	X	X

O: USED
X: NOT USED

Point ① (Pin20 of IC630)
V : 2V/div H : 50 nsec/div
AC range 1 : 1 probe



PRINTED CIRCUIT BOARD/シート図

AMP/CD (Component side)

FROM : POWER (CN510)

TO : EQ/TUNER (PN321)

Ⓡ
+
-
-
+
Ⓛ

SUBWOOFER OUT

DIGITAL OUT (CD OPTICAL)

SYSTEM CONNECTOR (TAPE·MD)

FROM : CD MECHANISM

TO : EQ/TUNER (PN651)

FROM : FRONT-1 (CN402)
FROM : FRONT-2 (CN403)
FROM : FRONT-1 (CN401)

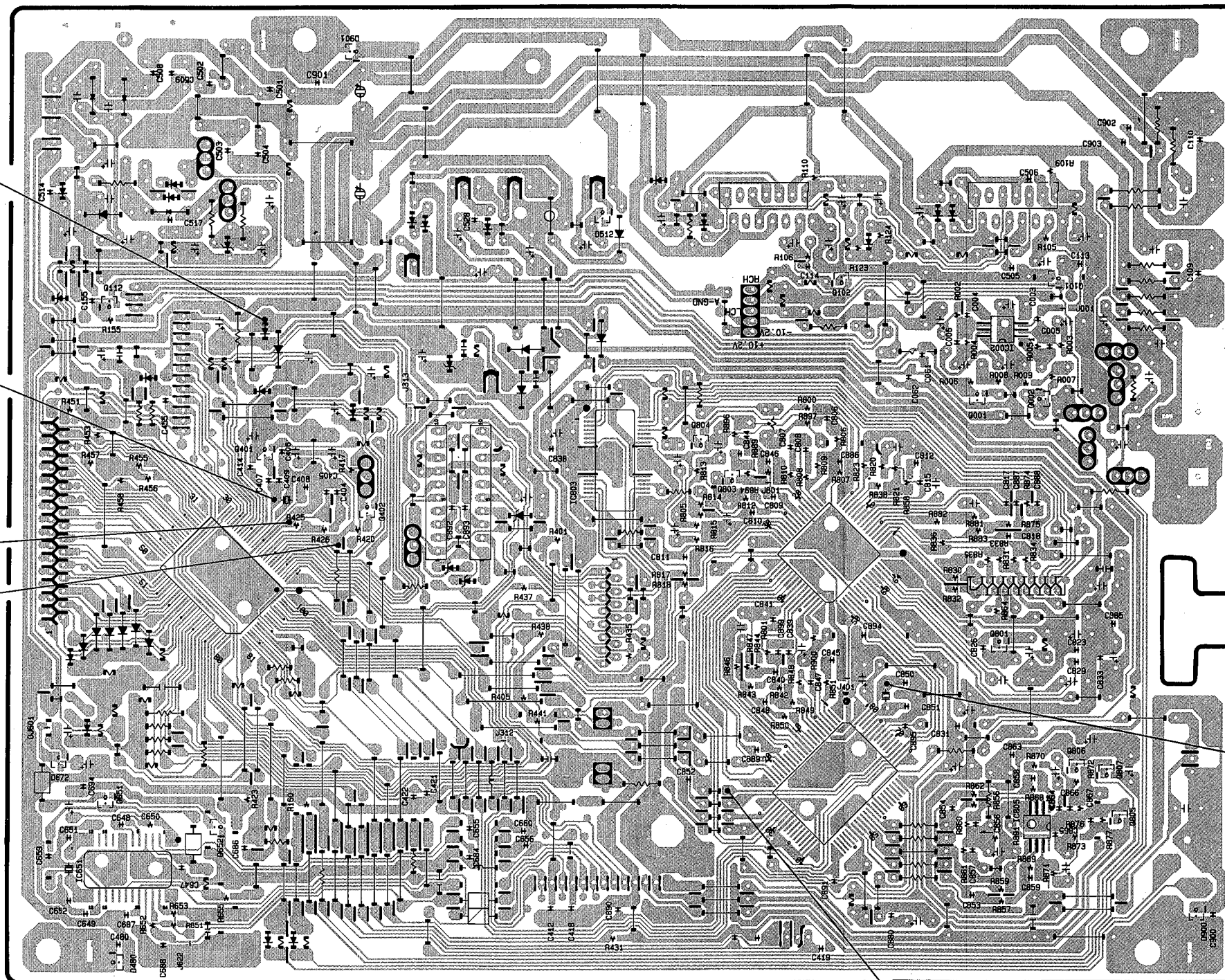
CIRCUIT CHANGES BY MARKET.

	G, B	J	R, A, L	U, C
OD401	X	X	X	O
OD402	X	O	X	X
OD403	O	O	O	X
OD404	O	X	O	O
OD405	O	X	O	X
OD407	O	X	X	X
RDS PART	O	X	X	X

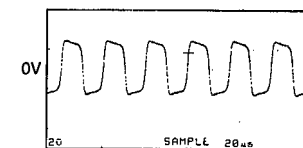
O : USED
X : NOT USED

PRINTED CIRCUIT BOARD / シート図

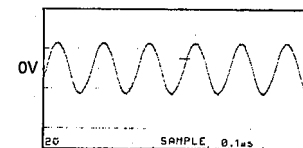
AMP/CD (Foil side)



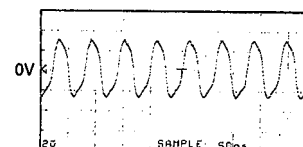
Point ② (Pin14 of IC401)
V : 2V/div H : 20 μsec/div
DC range 1 : 1 probe



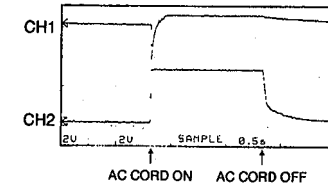
Point ③ (Pin17 of IC401)
V : 2V/div H : 0.1 μsec/div
AC range 1 : 1 probe



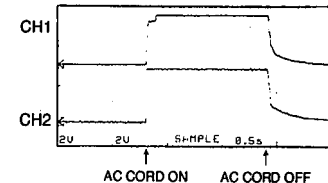
Point ④ (Pin78 of IC802)
V : 2V/div H : 50 nsec/div
DC range 1 : 1 probe



Point ⑤ (Pin12 of IC401 : CH1)
Point ⑥ (Anode of D420 : CH2)
CH1 : 2V/div H : 0.5 sec/div
CH2 : 2V/div 1 : 1 probe DC range

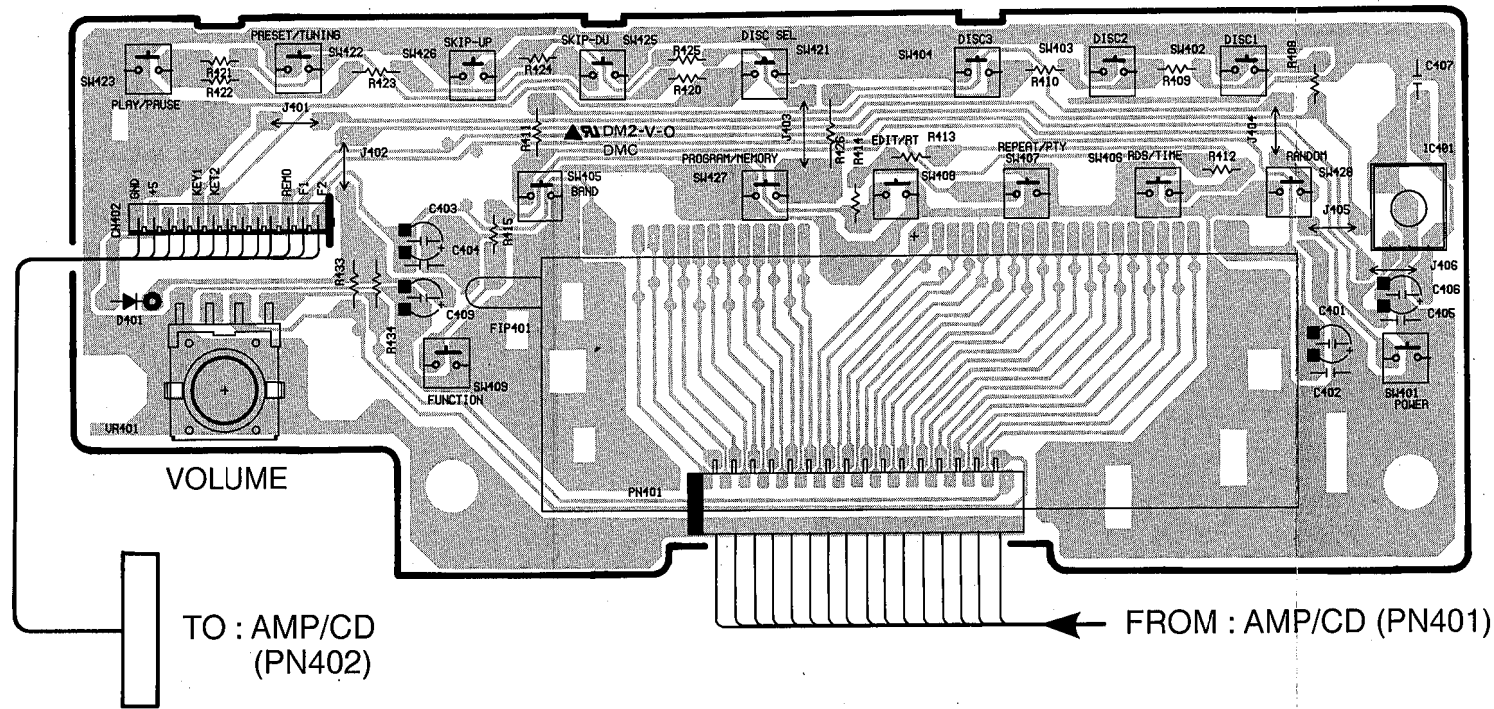


Point ⑦ (Pin68 of IC802 : CH1)
Point ⑧ (Anode of D420 : CH2)
CH1 : 2V/div H : 0.5 sec/div
CH2 : 2V/div 1 : 1 probe DC range

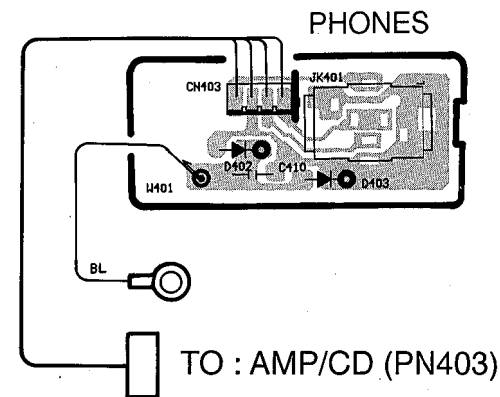


PRINTED CIRCUIT BOARD/シート図

FRONT-1 (Component side)



FRONT-2 (Component side)

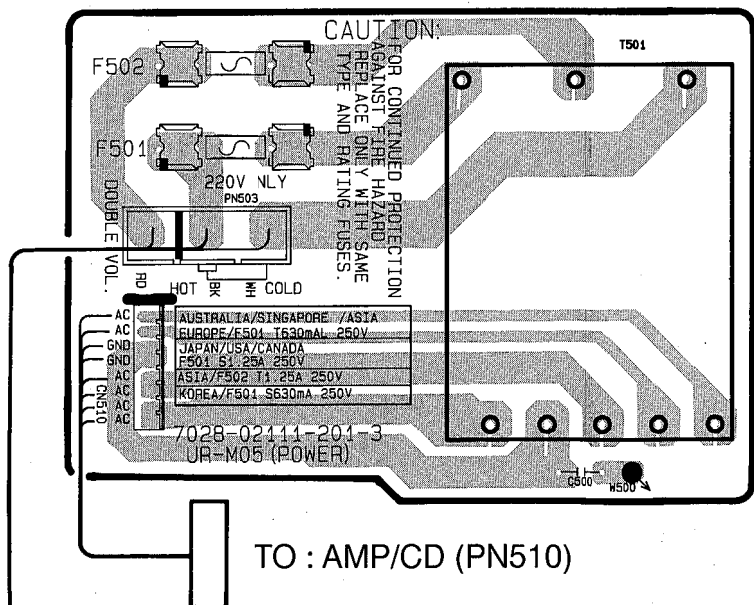


CIRCUIT CHANGES BY MARKET.

	G, B	J	R, A, L	U, C
C500	O	X	X	X
F502	X	X	O	X
F503	O	X	X	O
W500	O	X	X	X
R500	X	X	X	O

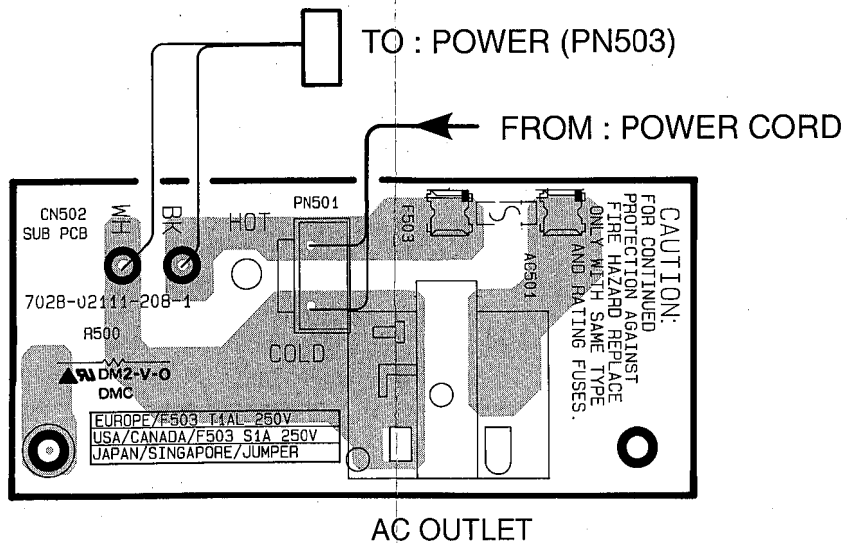
O : USED
X : NOT USED

POWER (Component side)



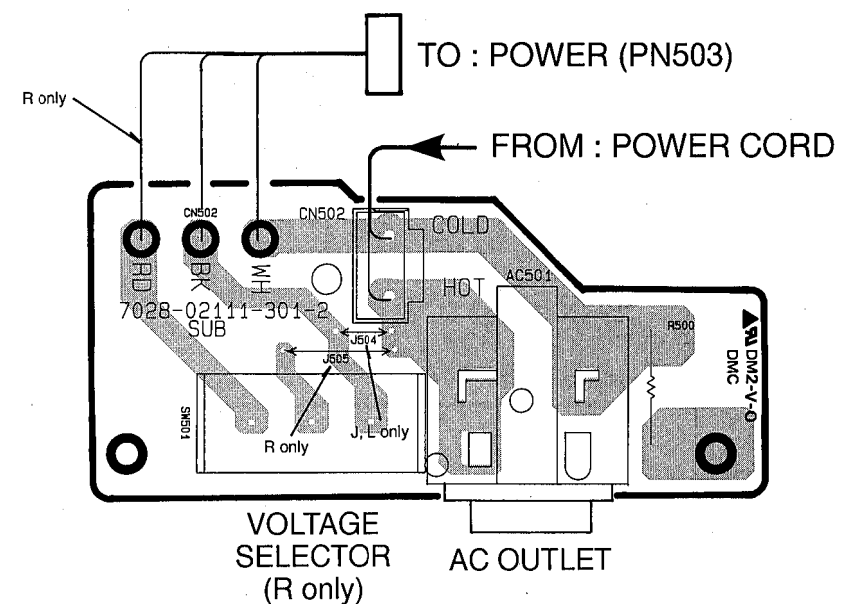
● U, C, G, B models

SUB (Component side)



● J, R, A, L models

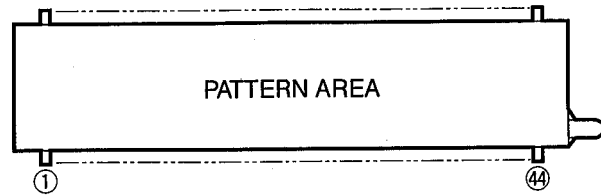
SUB (Component side)



FROM : SUB (CN502) [J, U, C, R, G, L models]
FROM : POWER CORD [A, B models]

DISPLAY DATA / ディスプレイデータ

FIP401 : SVA-12MM11

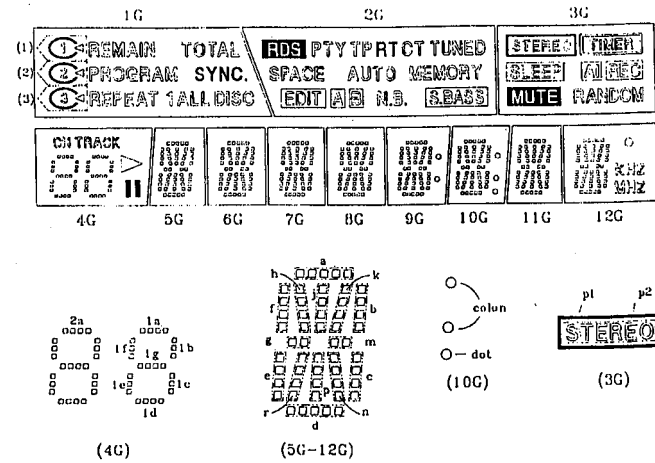


PIN CONNECTION

Pin No.	1	2	3	4	5	6	7	8	9	10	11	12	13	14	15	16	17	18	19	20	21	22	23	24	25	26	27	28	29	30		
Connection	F1	F1	NP	P1	P2	P3	P4	P5	P6	P7	P8	P9	P10	P11	P12	P13	P14	P15	P16	P17	P18	P19	NX	NX	NX	NX	NX	NX	NX	NX	NX	NX
Pin No.	31	32	33	34	35	36	37	38	39	40	41	42	43	44																		
Connection	11G	10G	9G	8G	7G	6G	5G	4G	3G	2G	1G	NP	F2	F2																		

Note 1) F1, F2 Filament Pin 3) NX No Extended Pin 5) 1G~16G Grid Pin
 2) NP No Pin 4) P1~P24 Anode Pin

GRID ASSIGNMENT

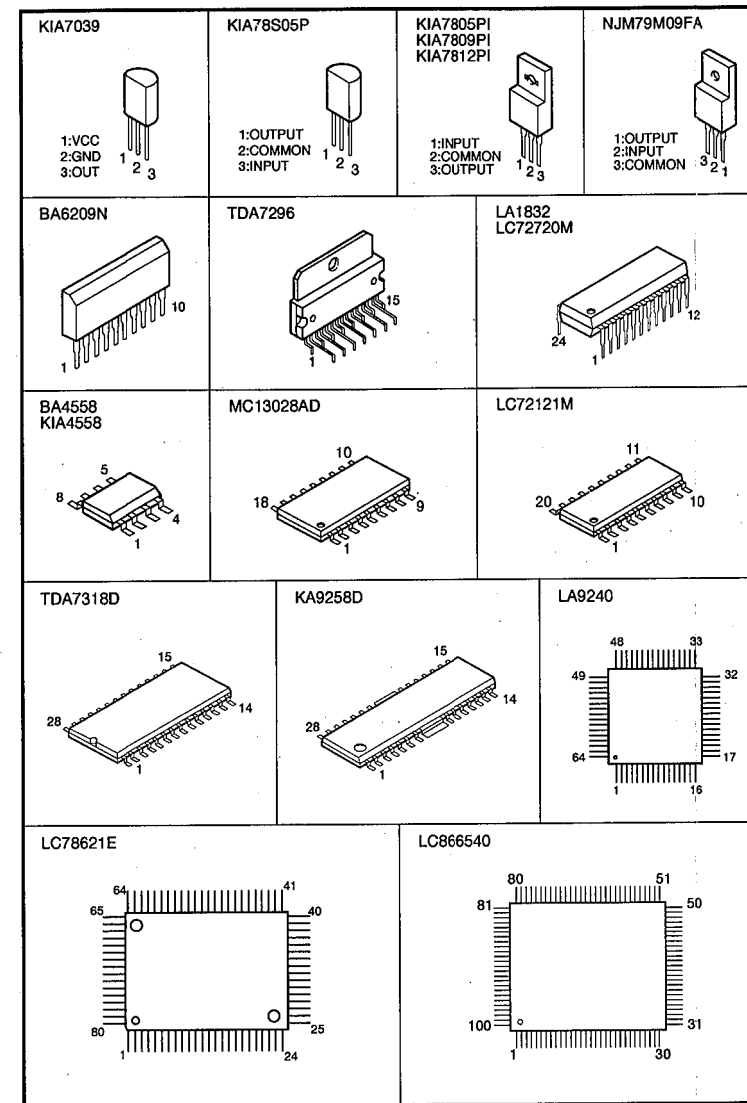


ANODE CONNECTION

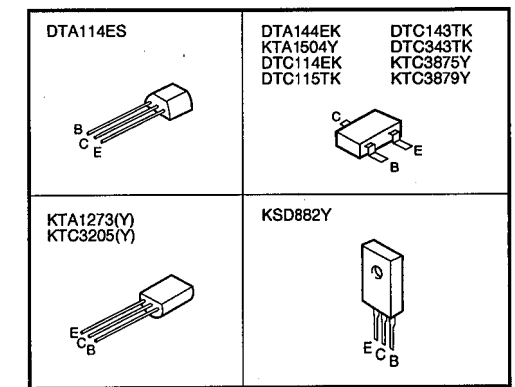
	1G	2G	3G	4G	5G	6G	7G	8G	9G	10G	11G	12G
P1	C ⁽¹⁾	RDS	STEREO	—	—	—	—	—	—	—	—	—
P2	1 ⁽¹⁾	PTY	(STEREO)	2a	a	a	a	a	a	a	a	a
P3	△ ⁽¹⁾	TP	TIMER	2b	b	b	b	b	b	b	b	b
P4	C ⁽²⁾	RT	SLEEP	2f	f	f	f	f	f	f	f	f
P5	2 ⁽²⁾	CT	[A]	2g	j	j	j	j	j	j	j	j
P6	△ ⁽²⁾	TUNED	REC	2c	h	h	h	h	h	h	h	h
P7	C ⁽³⁾	SPACE	MUTE	2e	k	k	k	k	k	k	k	k
P8	3 ⁽³⁾	AUTO	RANDOM	2d	g	g	g	g	g	g	g	g
P9	△ ⁽³⁾	MEMORY	—	1a	m	m	m	m	m	m	m	m
P10	REMAIN	[EDIT]	—	1b	n	n	n	n	n	n	n	n
P11	TOTAL	[A]	—	1f	r	r	r	r	r	r	r	r
P12	PROGRAM	[B]	—	1g	p	p	p	p	p	p	p	p
P13	SYNC.	N.B.	—	1c	e	e	e	e	e	e	e	e
P14	REPEAT	[S.BASS]	—	1e	c	c	c	c	c	c	c	c
P15	i ^(ALL)	—	—	1d	d	d	d	d	d	d	d	d
P16	ALL	—	—	CH	—	—	—	—	—	—	—	—
P17	DISC	—	—	TRACK	—	—	—	—	—	∴ (colon)	—	—
P18	—	—	—	▷	—	—	—	—	—	◦ (dot)	—	kHz
P19	—	—	—		—	—	—	—	—	—	—	MHz

PIN CONNECTION DIAGRAM / 半導体外形図

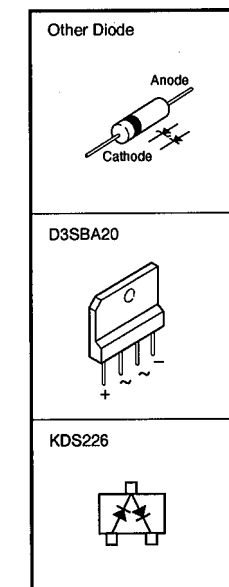
ICs



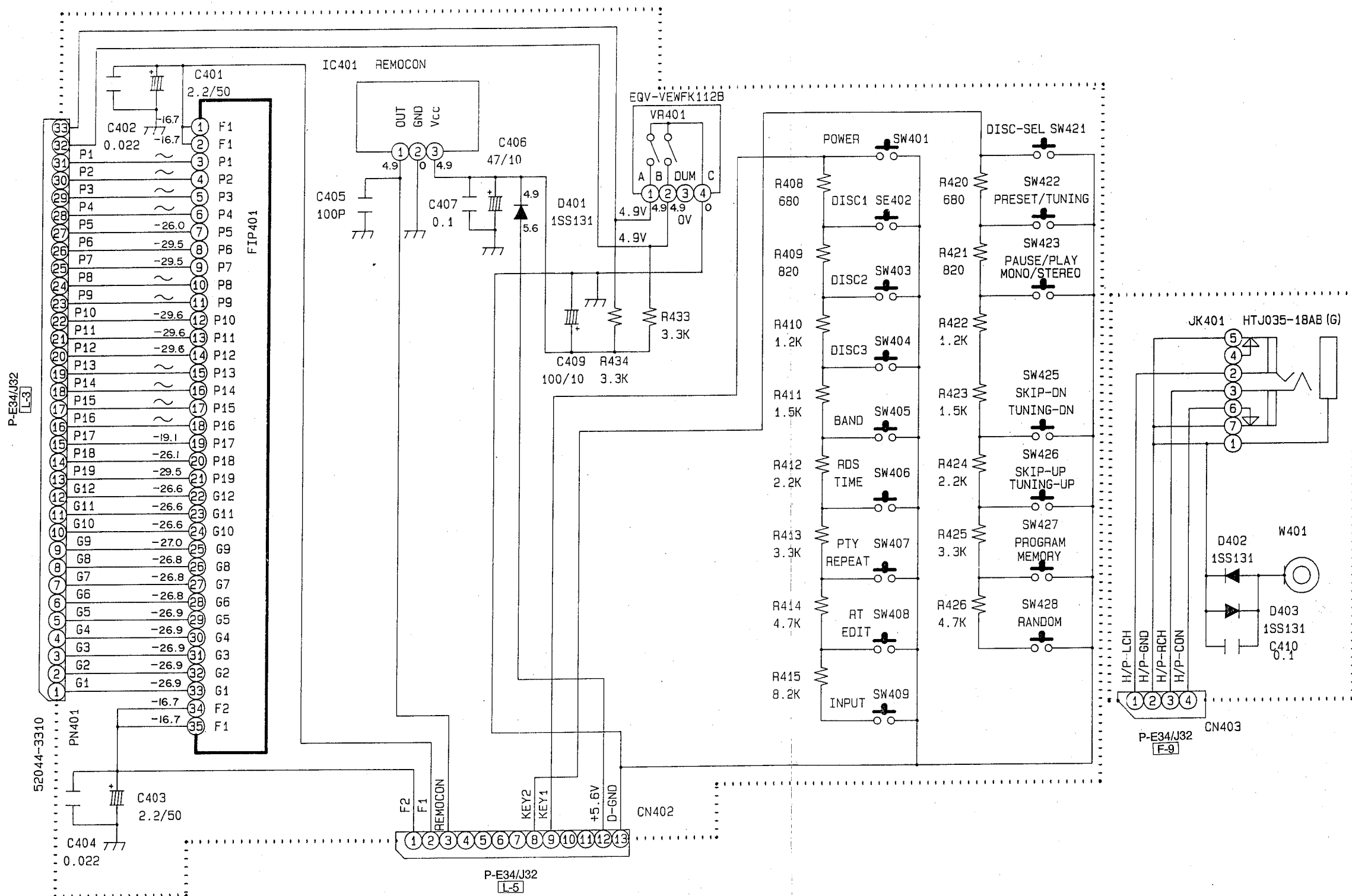
Transistors



Diodes



SCHEMATIC DIAGRAM(FRONT) / 総回路図



Remote Control Code
CUSTOM CODE : 0202 (HEX)

FUNCTION	DATA(HEX)
POWER	00
TUNING UP	01
TUNING DOWN	02
FM/AM	03
CLOCK	04
SLEEP	05
TIMER	06
MEMORY/PGM	07
SET	08
CT	0B
+ 10	0F
0	10
1	11
2	12
3	13
4	14
5	15
6	16
7	17
8	18
9	19
CD PLAY/PAUSE	1A
ST/MONO	1B
CD STOP	1C
PRESET UP	1D
PRESET DOWN	1E
RT/EDIT	40
PTY/REP	43
RDS/TIME	44
INPUT	48
VOLUME +	4A
VOLUME -	4B
DISC 1	4C
DISC 2	4D
DISC 3	4E
MD ▷	50
MD ◻	51
MUTE	52
MD ◁	53
MD ▷◁	54
MD ◁◁	56
TAPE ▷	57
TAPE ◁	58
TAPE ◻	59
TAPE ▷◁	5A
TAPE ◁◁	5B
REC MUTE	5C
REC PAUSE	5D
CD SYNC	5F

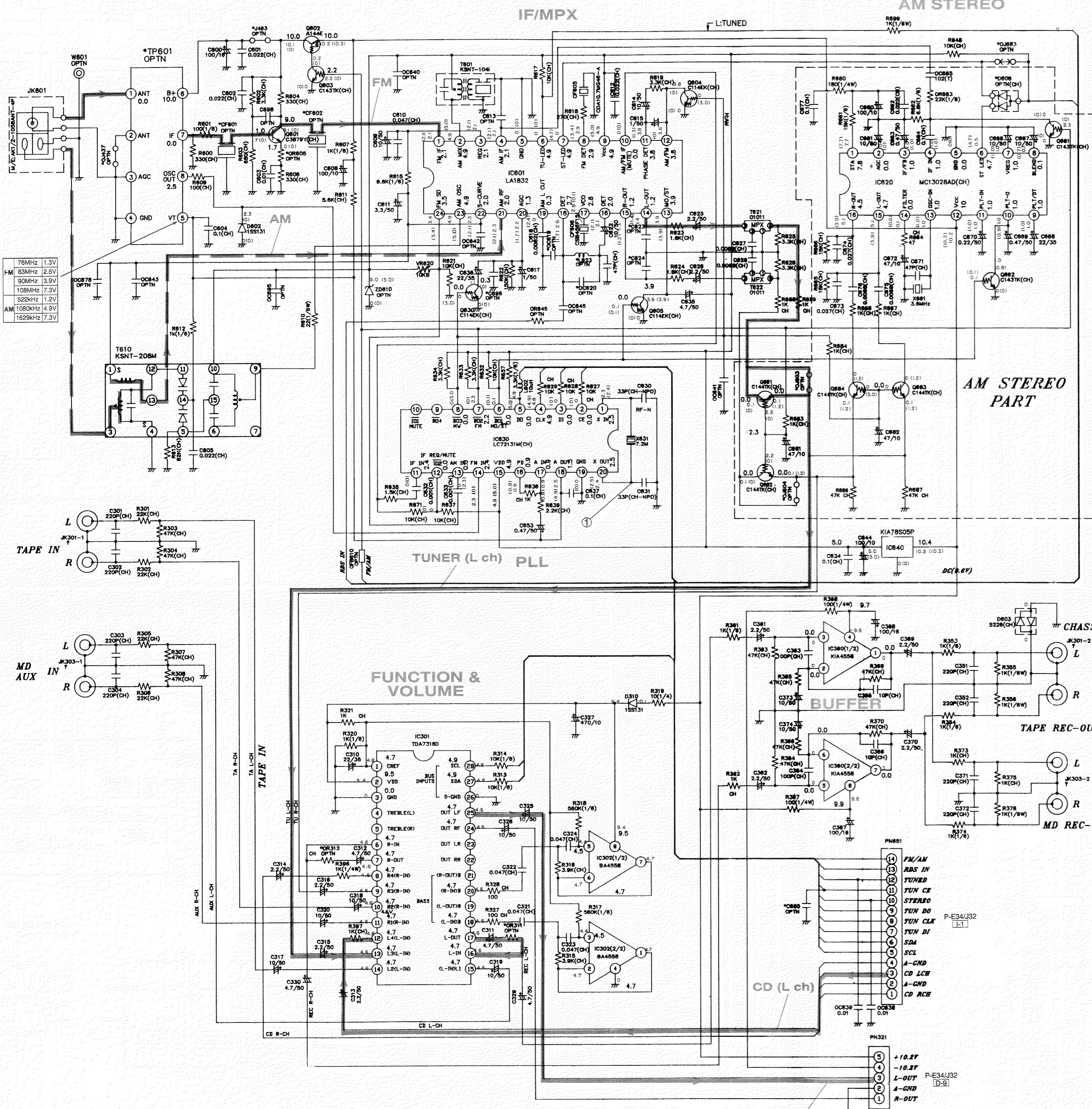
* All voltage are measured with a 10MΩ/V DC electric volt meter.
 * Components having special characteristics are marked Δ and must be replaced with parts having specifications equal to those originally installed.
 * Schematic diagram is subject to change without notice.

● 電圧は、内部抵抗10MΩの電圧計で測定したものです。
 ● Δ印のある部品は、安全性確保部分を示しています。部品の交換が必要な場合、パーツリストに記載されている部品を使用してください。
 ● 本回路図は、標準回路図です。改良のため予告なく変更することがございます。

SCHEMATIC DIAGRAM(EQ/TUNER) / 総回路図

Each voltage represents the voltage when receiving FM (stereo) signal and the voltage in the parentheses () is the voltage when receiving AM signal.

チューナー部の電圧は、FM83.0 MHzステレオ受信時の電圧です。ただし、() の電圧は、AM1080 kHz受信時の電圧です。

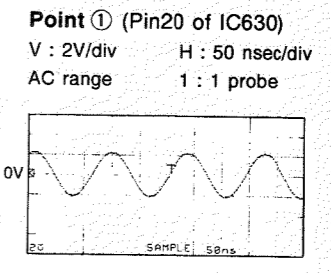
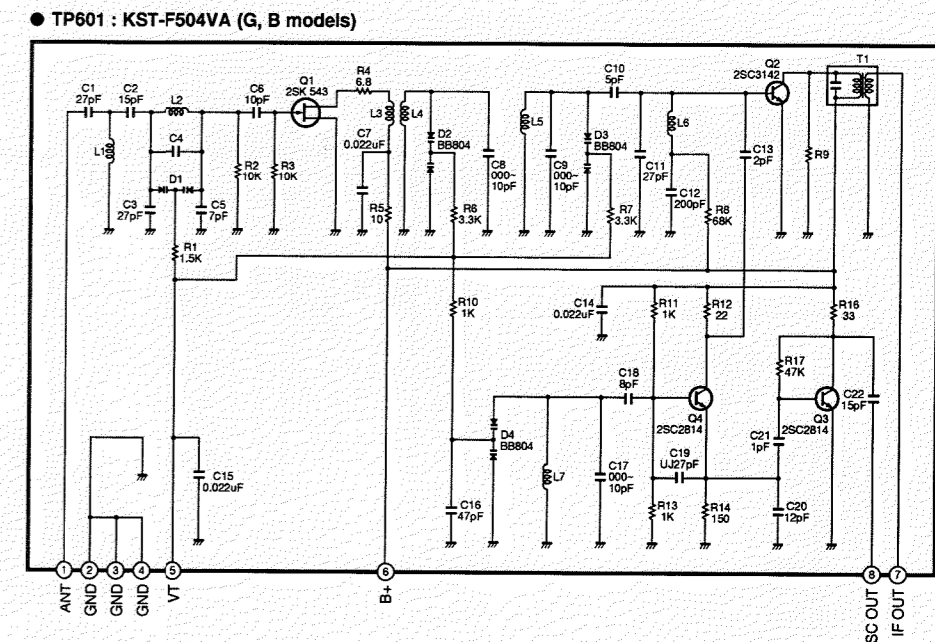
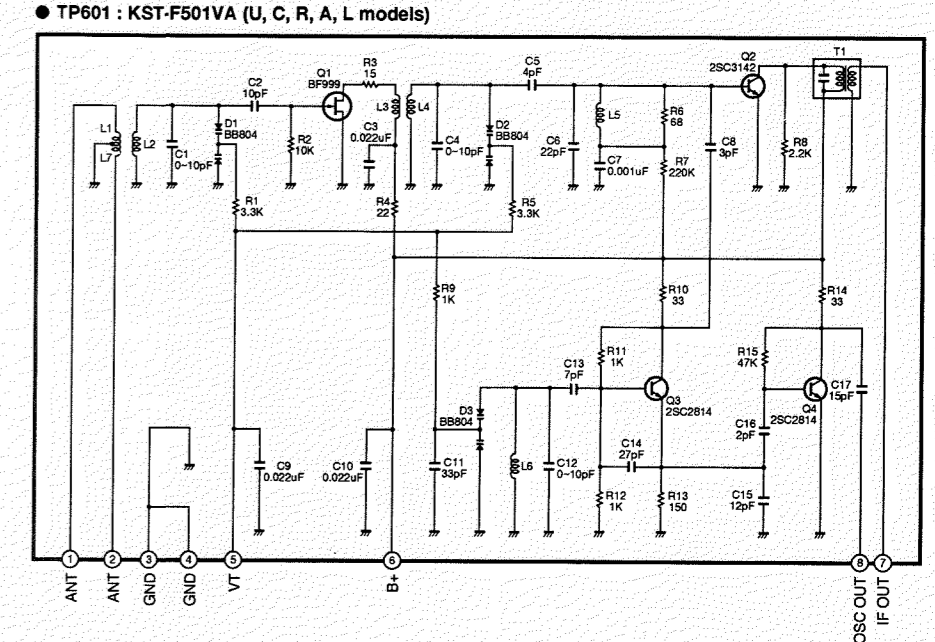
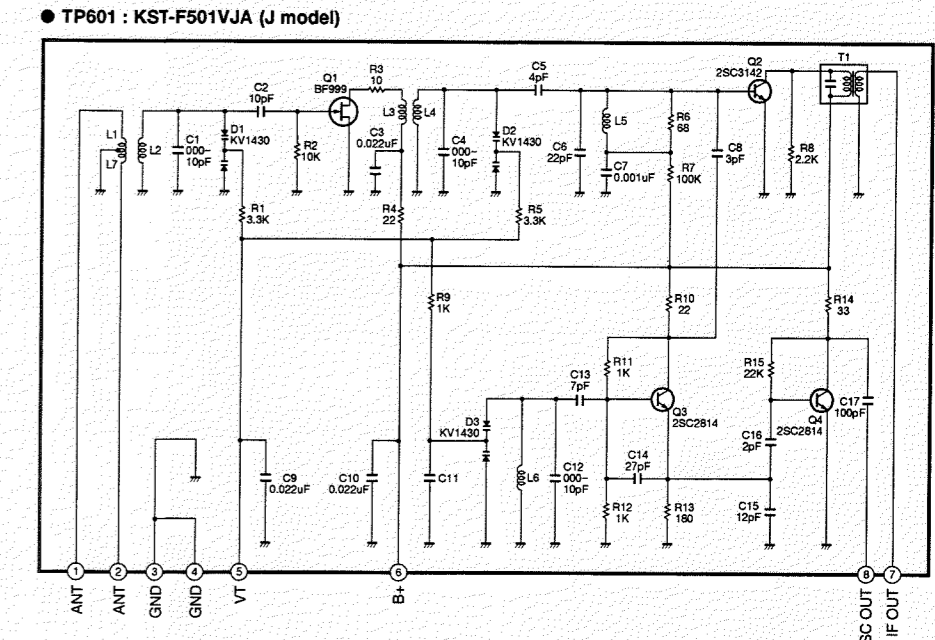


Frequency table for various stations: 76MHz (1.3V), FM 83MHz (2.5V), 90MHz (3.9V), 108MHz (7.3V), 522MHz (1.2V), AM 1080kHz (4.5V), 1629kHz (7.3V)

OPTION TABLE

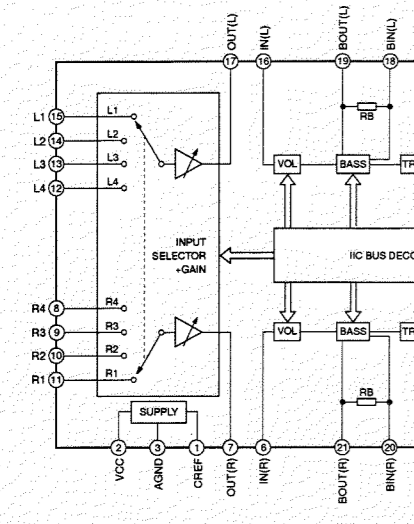
Table with columns for EUROPE, JAPAN, ASIA, USA, and REMARK. It lists various components and their specifications for different regions.

AMP/CD/MICOM TUNER/BQ. PART

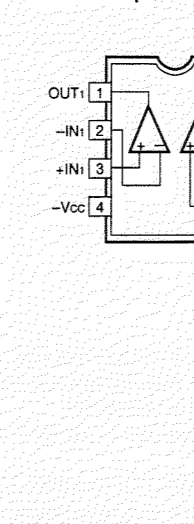


Point ① (Pin20 of IC630) V: 2V/div H: 50 nsec/div AC range 1: 1 probe

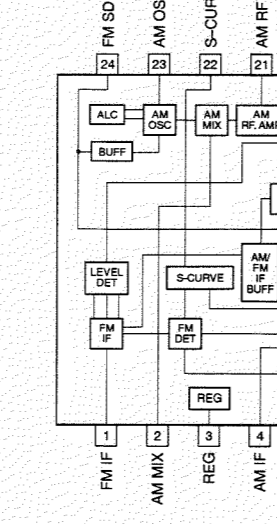
IC301: TDA7318D Digital Controlled Stereo Audio Processor



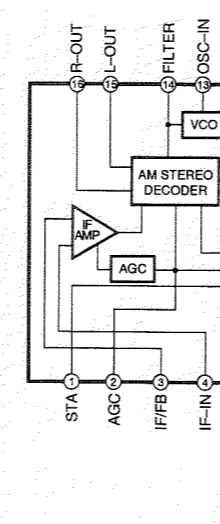
IC302: BA4558 IC360: KIA4558 Dual OP-Amp



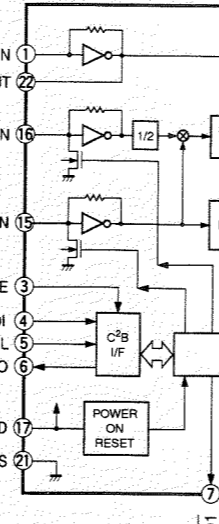
IC601: LA1832 IF/MPX



IC620: MC13028AD AM Stereo Decoder

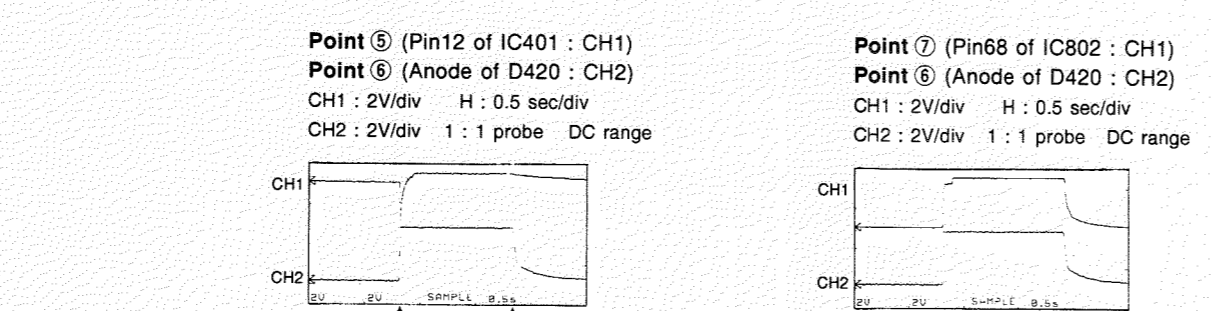
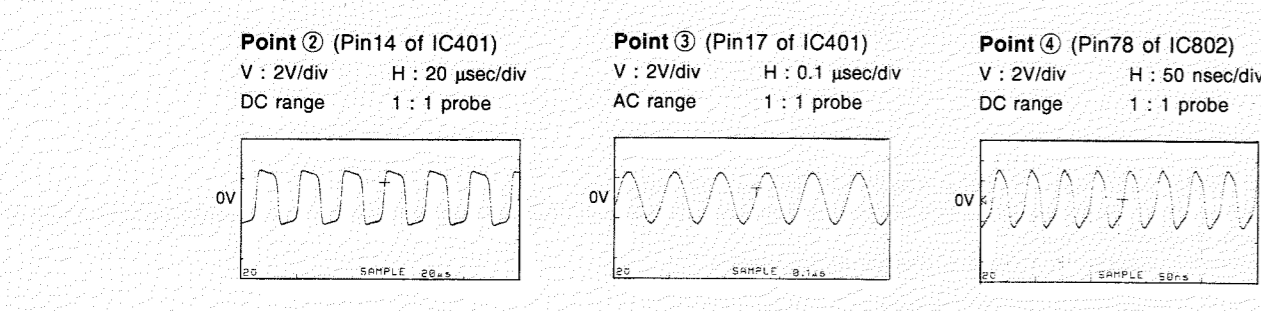
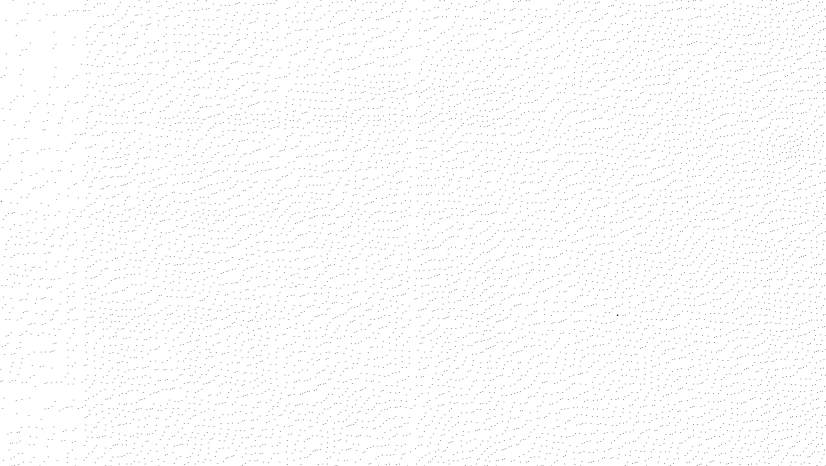
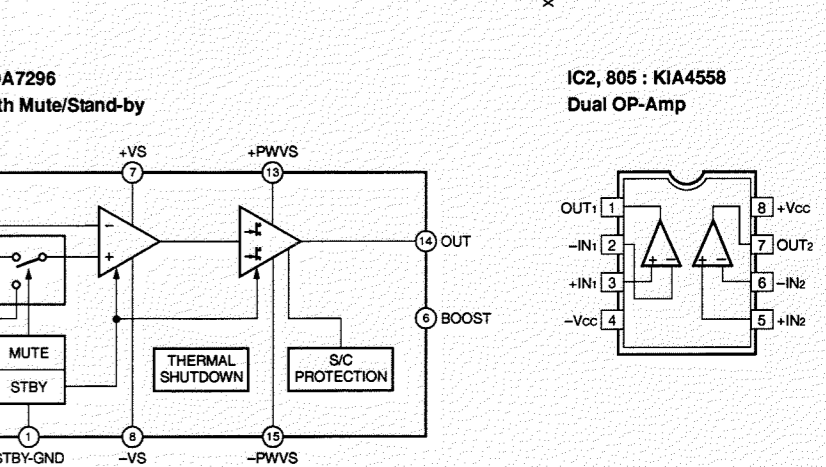
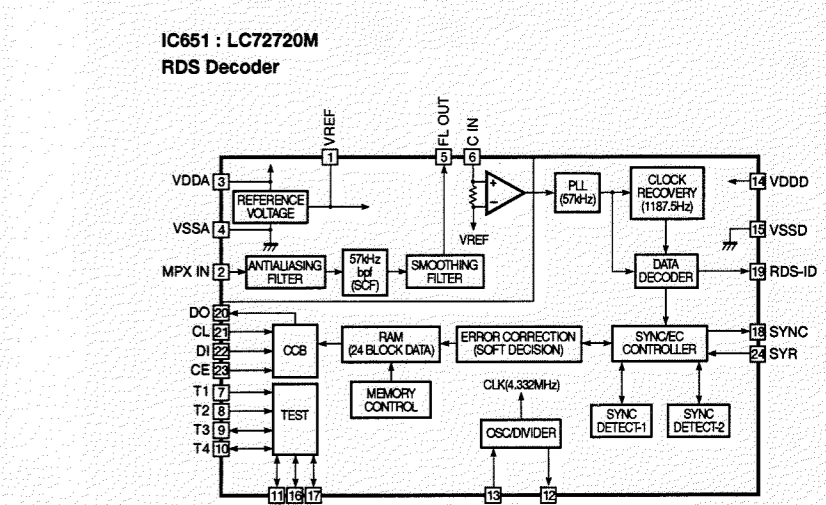
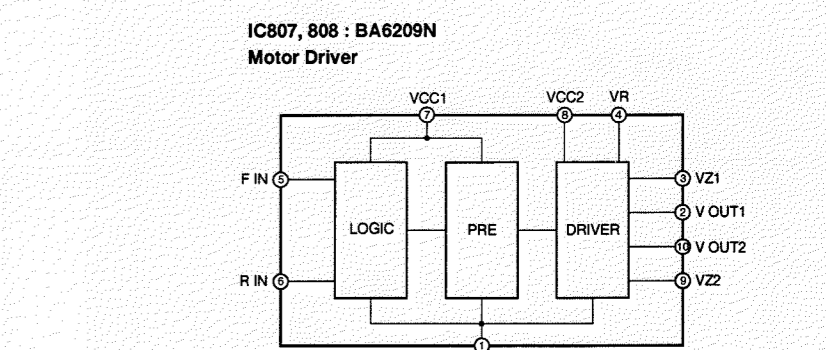
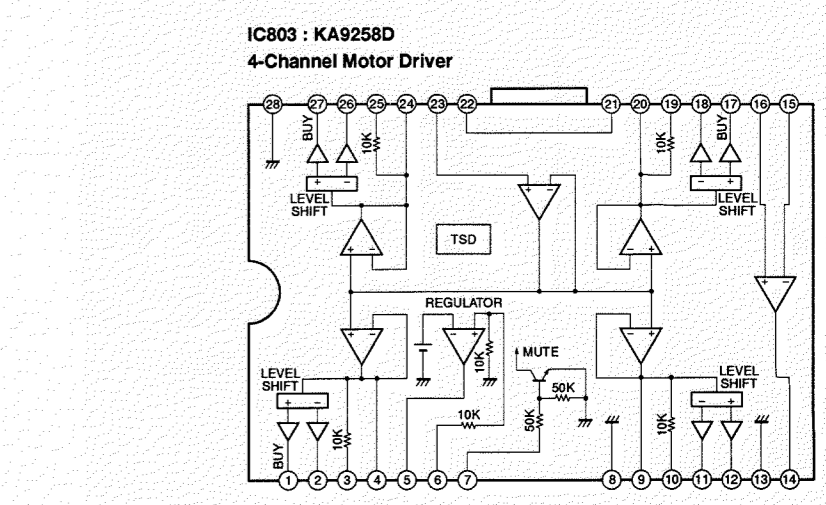
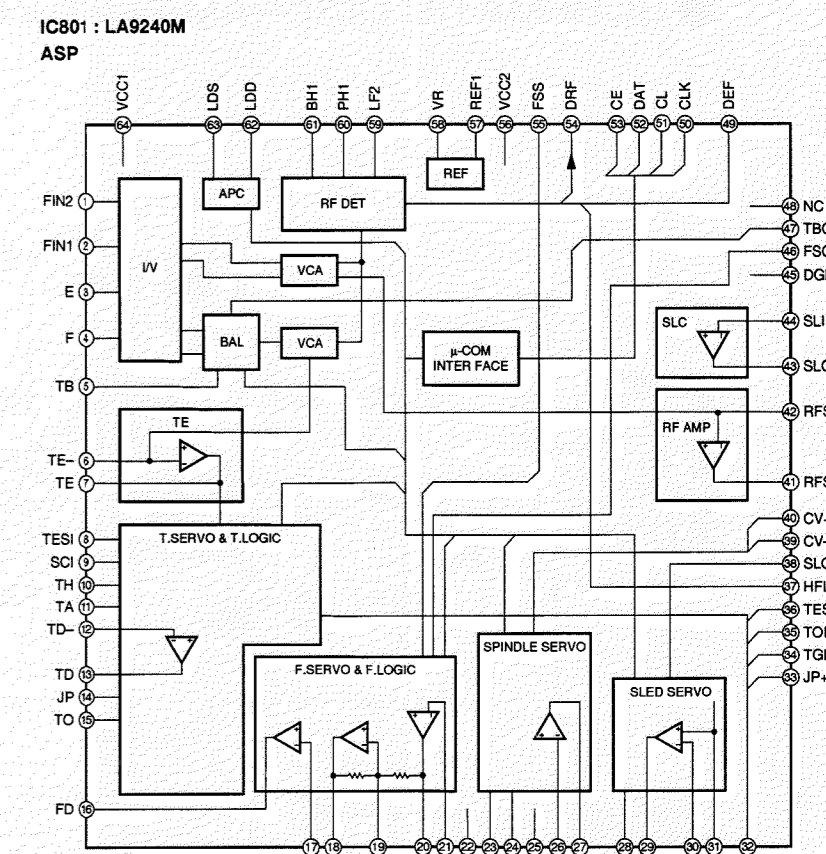
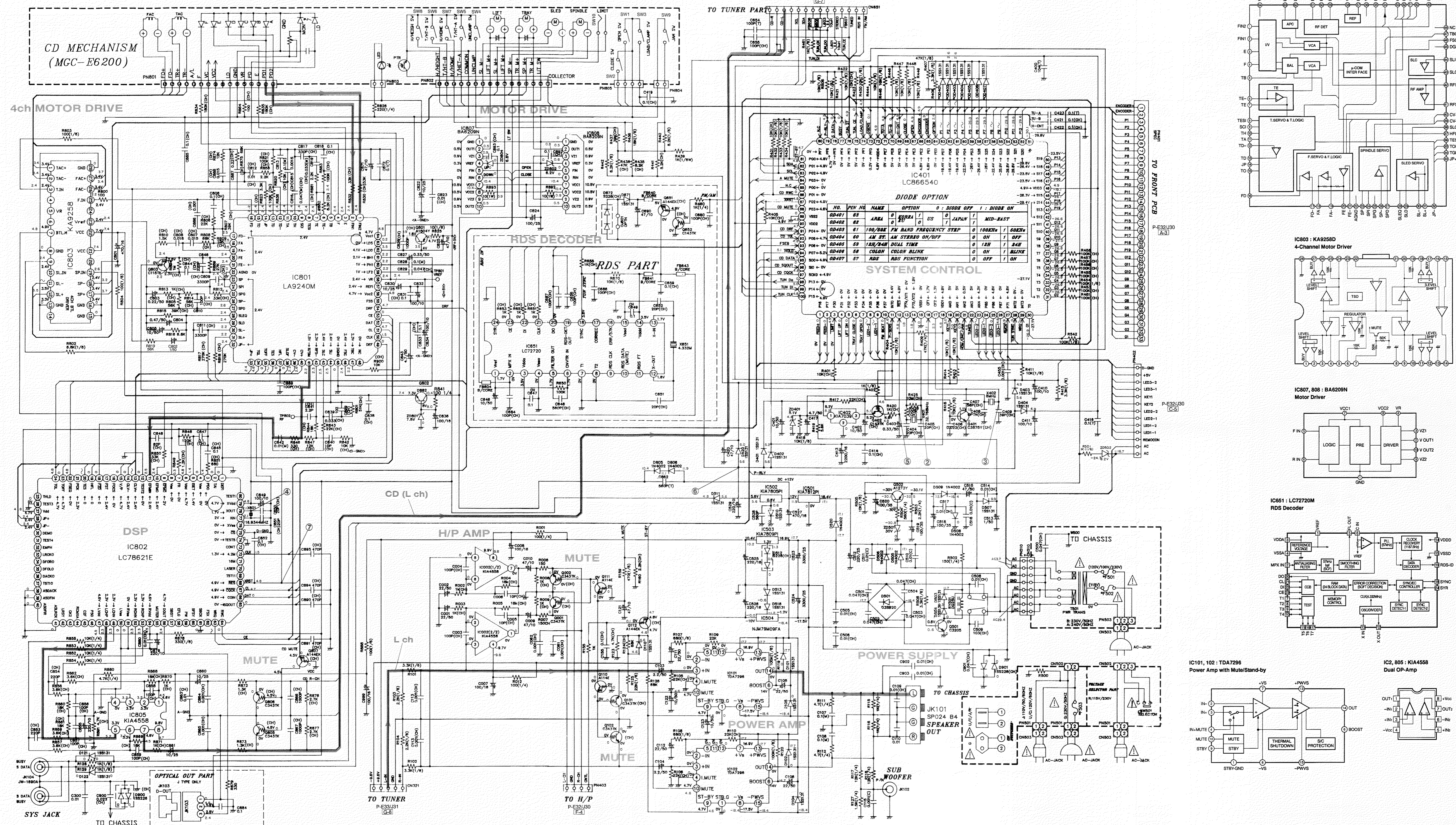


IC630: LC72131M PLL



All voltage are measured with a 10MΩ/V DC electric volt meter. Components having special characteristics are marked Δ, and must be replaced with parts having specifications equal to those originally installed. Schematic diagram is subject to change without notice. ●電圧は、内部抵抗10MΩの電圧計で測定したものです。●△印のある部品は、安全性確保部分を示しています。部品の交換が必要な場合、パーツリストに記載されている部品を使用してください。●本回路図は、標準回路図です。改良のため予告なく変更することがございます。

SCHEMATIC DIAGRAM (AMP/CD & SUB) / 総回路図



• All voltage are measured with a 10MΩ/V DC electric volt meter.
 • Components having special characteristics are marked Δ and must be replaced with parts having specifications equal to those originally installed.
 • Schematic diagram is subject to change without notice.

●電圧は、内部抵抗10MΩの電圧計で測定したものです。
 ●△印のある部品は、安全性確保部分を示しています。部品の交換が必要な場合、パーツリストに記載されている部品を使用してください。
 ●本回路図は、標準回路図です。改良のため予告なく変更することがございます。

PARTS LIST

ELECTRICAL PARTS

WARNING

Components having special characteristics are marked Δ and must be replaced with parts having specifications equal to those originally installed.

- Carbon resistors (1/6W or 1/4W) are not included in the ELECTRICAL PARTS List. For the parts No. of the carbon resistors, refer to last page.

ABBREVIATIONS IN THIS LIST ARE AS FOLLOWS :

C.A.EL.CHP	: CHIP ALUMI. ELECTROLYTIC CAP	L.EMIT	: LIGHT EMITTING MODULE
C.CE	: CERAMIC CAP	LED.DSPLY	: LED DISPLAY
C.CE.ARRAY	: CERAMIC CAP ARRAY	LED.INFRD	: LED, INFRARED
C.CE.CHP	: CHIP CERAMIC CAP	MODUL.RF	: MODULATOR, RF
C.CE.ML	: MULTILAYER CERAMIC CAP	PHOT.CPL	: PHOTO COUPLER
C.CE.M.CHP	: CHIP MULTILAYER CERAMIC CAP	PHOT.INTR	: PHOTO INTERRUPTER
C.CE.SAFTY	: RECOGNIZED CERAMIC CAP	PHOT.RFLCT	: PHOTO REFLECTOR
C.CE.TUBLR	: CERAMIC TUBULAR CAP	PIN.TEST	: PIN, TEST POINT
C.CE.SMI	: SEMI CONDUCTIVE CERAMIC CAP	PLST.RIVET	: PLASTIC RIVET
C.EL	: ELECTROLYTIC CAP	R.ARRAY	: RESISTOR ARRAY
C.MICA	: MICA CAP	R.CAR	: CARBON RESISTOR
C.ML.FLM	: MULTILAYER FILM CAP	R.CAR.CHP	: CHIP RESISTOR
C.MP	: METALLIZED PAPER CAP	R.CAR.FP	: FLAME PROOF CARBON RESISTOR
C.MYLAR	: MYLAR FILM CAP	R.FUS	: FUSABLE RESISTOR
C.MYLAR.ML	: MULTILAYER MYLAR FILM CAP	R.MTL.CHP	: CHIP METAL FILM RESISTOR
C.PAPER	: PAPER CAPACITOR	R.MTL.FLM	: METAL FILM RESISTOR
C.PLS	: POLYSTYRENE FILM CAP	R.MTL.OXD	: METAL OXIDE FILM RESISTOR
C.POL	: POLYESTER FILM CAP	R.MTL.PLAT	: METAL PLATE RESISTOR
C.POLY	: POLYETHYLENE FILM CAP	RSNR.CE	: CERAMIC RESONATOR
C.PP	: POLYPROPYLENE FILM CAP	RSNR.CRYS	: CRYSTAL RESONATOR
C.TNTL	: TANTALUM CAP	R.TW.CEM	: TWIN CEMENT FIXED RESISTOR
C.TNTL.CHP	: CHIP TANTALUM CAP	R.WW	: WIRE WOUND RESISTOR
C.TRIM	: TRIMMER CAP	SCR.BND.HD	: BIND HEAD B-TITE SCREW
CN	: CONNECTOR	SCR.BW.HD	: BW HEAD TAPPING SCREW
CN.BS.PIN	: CONNECTOR, BASE PIN	SCR.CUP	: CUP TITE SCREW
CN.CANNON	: CONNECTOR, CANNON	SCR.TERM	: SCREW TERMINAL
CN.DIN	: CONNECTOR, DIN	SCR.TR	: SCREW, TRANSISTOR
CN.FLAT	: CONNECTOR, FLAT CABLE	SUPRT.PCB	: SUPPORT, P.C.B.
CN.POST	: CONNECTOR, BASE POST	SURG.PRTCT	: SURGE PROTECTOR
COIL.MX.AM	: COIL, AM MIX	SW.TACT	: TACT SWITCH
COIL.AT.FM	: COIL, FM ANTENNA	SW.LEAF	: LEAF SWITCH
COIL.DT.FM	: COIL, FM DETECT	SW.LEVER	: LEVER SWITCH
COIL.MX.FM	: COIL, FM MIX	SW.MICRO	: MICRO SWITCH
COIL.OUTPT	: OUTPUT COIL	SW.PUSH	: PUSH SWITCH
DIOD.ARRAY	: DIODE ARRAY	SW.RT.ENC	: ROTARY ENCODER
DIODE.BRG	: DIODE BRIDGE	SW.RT.MTR	: ROTARY SWITCH WITH MOTOR
DIODE.CHP	: CHIP DIODE	SW.RT	: ROTARY SWITCH
DIODE.VAR	: VARACTOR DIODE	SW.SLIDE	: SLIDE SWITCH
DIOD.Z.CHP	: CHIP ZENER DIODE	TERM.SP	: SPEAKER TERMINAL
DIODE.ZENR	: ZENER DIODE	TERM.WRAP	: WRAPPING TERMINAL
DSCR.CE	: CERAMIC DISCRIMINATOR	THRMST.CHP	: CHIP THERMISTOR
FER.BEAD	: FERRITE BEADS	TR.CHP	: CHIP TRANSISTOR
FER.CORE	: FERRITE CORE	TR.DGT	: DIGITAL TRANSISTOR
FET.CHP	: CHIP FET	TR.DGT.CHP	: CHIP DIGITAL TRANSISTOR
FL.DSPLY	: FLUORESCENT DISPLAY	TRANS	: TRANSFORMER
FLTR.CE	: CERAMIC FILTER	TRANS.PULS	: PULSE TRANSFORMER
FLTR.COMB	: COMB FILTER MODULE	TRANS.PWR	: POWER TRANSFORMER ASS'y
FLTR.LC.RF	: LC FILTER ,EMI	TUNER.AM	: TUNER PACK, AM
GND.MTL	: GROUND PLATE	TUNER.FM	: TUNER PACK, FM
GND.TERM	: GROUND TERMINAL	TUNER.PK	: FRONT-END TUNER PACK
HOLDER.FUS	: FUSE HOLDER	VR	: ROTARY POTENTIOMETER
IC.PRTCT	: IC PROTECTOR	VR.MTR	: POTENTIOMETER WITH MOTOR
JUMPER.CN	: JUMPER CONNECTOR	VR.SW	: POTENTIOMETER WITH ROTARY SW
JUMPER.TST	: JUMPER, TEST POINT	VR.SLIDE	: SLIDE POTENTIOMETER
L.DTCT	: LIGHT DETECTING MODULE	VR.TRIM	: TRIMMER POTENTIOMETER

Note) Those parts marked with "#" are not included in the P.C.B. ass'y.

Schm	Ref.	PART NO.	Description	Remarks
*		XX703050	P. C. B.	AMP+CD+TU+PW+SB(UC) 7025021110970
*		XX703060	P. C. B.	AMP+CD+TU+PW+SB(G) 7025021110980
*		XX703070	P. C. B.	AMP+CD+TU+PW+SB(B) 7025021110990
*		XX703080	P. C. B.	AMP+CD+TU+PW+SB(R) 7025021110100
*		XX703090	P. C. B.	AMP+CD+TU+PW+SB(A) 7025021110110
*		XX703100	P. C. B.	AMP+CD+TU+PW+SB(L) 7025021110120
*		XX703110	P. C. B.	AMP+CD+TU+PW+SB(J) 7025021110140
*		XX703120	P. C. B.	FRONT HEAD PHONES 7025021920010
△*	AC501	XX705160	OUTLET.AC	AC OUTLET (JUCR) G435040090000
△*	AC501	XX705170	OUTLET.AC	AC OUTLET YKE31(G) G435040110000
*	C001	XX704610	C. EL	22uF 50V D040220087060
*	C002	XX704610	C. EL	22uF 50V D040220087060
*	C003	XX704170	C. CE. CHP	100pF 50V CH D010101167200
*	C004	XX704170	C. CE. CHP	100pF 50V CH D010101167200
*	C005	XX704160	C. CE. CHP	10pF 50V CH D010100117200
*	C006	XX704160	C. CE. CHP	10pF 50V CH D010100117200
*	C007	XX704560	C. EL	100uF 16V D040101083050
*	C008	XX704560	C. EL	100uF 16V D040101083050
*	C009	XX704720	C. EL	47uF 10V D040470082050
*	C010	XX704720	C. EL	47uF 10V D040470082050
*	C061	XX704310	C. CE. CHP	0.001uF 50V D011102777200
*	C062	XX704310	C. CE. CHP	0.001uF 50V D011102777200
*	C103	XX704680	C. EL	2.2uF 50V D0402R2087250
*	C104	XX704680	C. EL	2.2uF 50V D0402R2087250
*	C105	XX704610	C. EL	22uF 50V D040220087060
*	C106	XX704610	C. EL	22uF 50V D040220087060
*	C107	XX704480	C. POL	0.1uF 50V D020104167050
*	C108	XX704480	C. POL	0.1uF 50V D020104167050
*	C109	XX704330	C. CE. CHP	0.01uF 50V D011103597200
*	C110	XX704330	C. CE. CHP	0.01uF 50V D011103597200
*	C111	XX704610	C. EL	22uF 50V D040220087060
*	C112	XX704610	C. EL	22uF 50V D040220087060
*	C113	XX704310	C. CE. CHP	0.001uF 50V D011102777200
*	C114	XX704310	C. CE. CHP	0.001uF 50V D011102777200
*	C115	XX704040	C. CE	0.001uF 50V D004102277050
*	C121	XX704720	C. EL	47uF 10V D040470082050
*	C122	XX704530	C. EL	10uF 50V D040100087070
*	C123	XX704530	C. EL	10uF 50V D040100087070
*	C155	XX704340	C. CE. CHP	0.1uF 50V D011104597200
*	C300	XX704090	C. CE	0.01uF 50V D005103077530
*	C300	XX704100	C. CE	10000pF 50V D005103597520
*	C301	XX704190	C. CE. CHP	220pF 50V CH D010221167200
*	C302	XX704190	C. CE. CHP	220pF 50V CH D010221167200
*	C303	XX704190	C. CE. CHP	220pF 50V CH D010221167200
*	C304	XX704190	C. CE. CHP	220pF 50V CH D010221167200
*	C310	XX704600	C. EL	22uF 35V D040220085050
*	C311	XX704770	C. EL	4.7uF 50V D0404R7087250
*	C312	XX704770	C. EL	4.7uF 50V D0404R7087250
*	C313	XX704680	C. EL	2.2uF 50V D0402R2087250
*	C314	XX704680	C. EL	2.2uF 50V D0402R2087250
*	C315	XX704680	C. EL	2.2uF 50V D0402R2087250
*	C316	XX704680	C. EL	2.2uF 50V D0402R2087250
*	C317	XX704530	C. EL	10uF 50V D040100087070

* New Parts

Schm	Ref.	PART NO.	Description	Remarks
*	C318	XX704530	C. EL	10uF 50V D040100087070
*	C319	XX704530	C. EL	10uF 50V D040100087070
*	C320	XX704530	C. EL	10uF 50V D040100087070
*	C321	XX704440	C. CE. CHP	0.047uF 50V D011473777200
*	C322	XX704440	C. CE. CHP	0.047uF 50V D011473777200
*	C323	XX704440	C. CE. CHP	0.047uF 50V D011473777200
*	C324	XX704440	C. CE. CHP	0.047uF 50V D011473777200
*	C325	XX704530	C. EL	10uF 50V D040100087070
*	C326	XX704530	C. EL	10uF 50V D040100087070
*	C327	XX704750	C. EL	470uF 10V D040471082050
*	C329	XX704770	C. EL	4.7uF 50V D0404R7087250
*	C330	XX704770	C. EL	4.7uF 50V D0404R7087250
*	C351	XX704190	C. CE. CHP	220pF 50V CH D010221167200
*	C352	XX704190	C. CE. CHP	220pF 50V CH D010221167200
*	C361	XX704680	C. EL	2.2uF 50V D0402R2087250
*	C362	XX704680	C. EL	2.2uF 50V D0402R2087250
*	C363	XX704170	C. CE. CHP	100pF 50V CH D010101167200
*	C363	XX704170	C. CE. CHP	100pF 50V CH D010101167200
*	C364	XX704170	C. CE. CHP	100pF 50V CH D010101167200
*	C364	XX704170	C. CE. CHP	100pF 50V CH D010101167200
*	C365	XX704160	C. CE. CHP	10pF 50V CH D010100117200
*	C366	XX704160	C. CE. CHP	10pF 50V CH D010100117200
*	C367	XX704560	C. EL	100uF 16V D040101083050
*	C368	XX704560	C. EL	100uF 16V D040101083050
*	C369	XX704680	C. EL	2.2uF 50V D0402R2087250
*	C369	XX704690	C. EL	33uF 35V D040330085050
*	C370	XX704680	C. EL	2.2uF 50V D0402R2087250
*	C370	XX704690	C. EL	33uF 35V D040330085050
*	C371	XX704190	C. CE. CHP	220pF 50V CH D010221167200
*	C372	XX704190	C. CE. CHP	220pF 50V CH D010221167200
*	C373	XX704530	C. EL	10uF 50V D040100087070
*	C374	XX704530	C. EL	10uF 50V D040100087070
*	C400	XX704110	C. CE	0.1uF 50V D005104597520
*	C401	XX704530	C. EL	10uF 50V D040100087070
*	C401	XX704670	C. EL	2.2uF 50V D0402R2087110
*	C401	XX704680	C. EL	2.2uF 50V D0402R2087250
*	C402	XX704120	C. CE	0.022uF 25V D005223594520
*	C402	XX704530	C. EL	10uF 50V D040100087070
*	C403	XX704670	C. EL	2.2uF 50V D0402R2087110
*	C403	XX704680	C. EL	2.2uF 50V D0402R2087250
*	C403	XX704790	C. EL	0.33uF 50V D040R33087070
*	C404	XX704120	C. CE	0.022uF 25V D005223594520
*	C404	XX704180	C. CE. CHP	20pF 50V CH D010200167200
*	C405	XX704070	C. CE	100pF 50V D005101177520
*	C405	XX704180	C. CE. CHP	20pF 50V CH D010200167200
*	C406	XX704390	C. CE. CHP	0.022uF 50V D011223777200
*	C406	XX704720	C. EL	47uF 10V D040470082050
*	C406	XX704730	C. EL	47uF 16V D040470083060
*	C407	XX704110	C. CE	0.1uF 50V D005104597520
*	C407	XX704270	C. CE. CHP	56pF 50V CH D010560167200
*	C408	XX704210	C. CE. CHP	33pF 50V CH(UCRAL) D010330167200
*	C408	XX704230	C. CE. CHP	39pF 50V CH(JBG) D010390167200
*	C409	XX704230	C. CE. CHP	39pF 50V CH D010390167200

* New Parts

Schm					
Ref.	PART NO.	Description	Remarks		
* C409	XX704540	C. EL	100uF	10V	D040101082050
* C409	XX704550	C. EL	100uF	10V	D040101082070
* C410	XX704110	C. CE	0. 1uF	50V	D005104597520
* C410	XX704540	C. EL	100uF	10V	D040101082050
* C411	XX704540	C. EL	100uF	10V	D040101082050
* C412	XX704340	C. CE. CHP	0. 1uF	50V	D011104597200
* C413	XX704650	C. EL	2200uF	16V	D040222083040
* C414	XX704340	C. CE. CHP	0. 1uF	50V	D011104597200
* C416	XX704110	C. CE	0. 1uF	50V	D005104597520
* C417	XX704530	C. EL	10uF	50V	D040100087070
* C417	XX704770	C. EL	4. 7uF	50V	D0404R7087250
* C418	XX704340	C. CE. CHP	0. 1uF	50V	D011104597200
* C419	XX704340	C. CE. CHP	0. 1uF	50V	D011104597200
* C420	XX704720	C. EL	47uF	10V	D040470082050
* C421	XX704340	C. CE. CHP	0. 1uF	50V	D011104597200
* C422	XX704340	C. CE. CHP	0. 1uF	50V	D011104597200
* C423	XX704110	C. CE	0. 1uF	50V	D005104597520
* C455	XX704310	C. CE. CHP	0. 001uF	50V	D011102777200
* C471	XX704770	C. EL	4. 7uF	50V	D0404R7087250
* C500	XX704140	C. CE	0. 047uF	50V (BG)	D005473597520
* C501	XX704440	C. CE. CHP	0. 047uF	50V	D011473777200
* C502	XX704440	C. CE. CHP	0. 047uF	50V	D011473777200
* C503	XX704440	C. CE. CHP	0. 047uF	50V	D011473777200
* C504	XX704440	C. CE. CHP	0. 047uF	50V	D011473777200
* C505	XX704330	C. CE. CHP	0. 01uF	50V	D011103597200
* C505	XX704390	C. CE. CHP	0. 022uF	50V	D011223777200
* C506	XX704330	C. CE. CHP	0. 01uF	50V	D011103597200
* C506	XX704390	C. CE. CHP	0. 022uF	50V	D011223777200
* C508	XX704330	C. CE. CHP	0. 01uF	50V	D011103597200
* C509	XX704330	C. CE. CHP	0. 01uF	50V	D011103597200
* C510	XX704050	C. CE	0. 01uF	50V	D004103277050
* C511	XX704050	C. CE	0. 01uF	50V	D004103277050
* C512	XX704640	C. EL	220uF	25V	D040221084060
* C513	XX704510	C. EL	1uF	50V	D040010087080
* C514	XX704330	C. CE. CHP	0. 01uF	50V	D011103597200
* C515	XX704740	C. EL	47uF	50V	D040470087060
* C516	XX704050	C. CE	0. 01uF	50V	D004103277050
* C517	XX704330	C. CE. CHP	0. 01uF	50V	D004103277050
* C518	XX704590	C. EL	100uF	35V	D040101085050
* C519	XX704590	C. EL	100uF	35V	D040101085050
* C520	XX704590	C. EL	100uF	35V	D040101085050
* C523	XX704700	C. EL	3300uF	25V	D040332084010
* C524	XX704700	C. EL	3300uF	25V	D040332084010
* C525	XX704630	C. EL	220uF	16V	D040221083090
* C526	XX704630	C. EL	220uF	16V	D040221083090
* C527	XX704810	C. EL	470uF	50V	D041471083010
* C528	XX704280	C. CE. CHP	560pF	50V CH	D010561167200
* C529	XX704620	C. EL	220uF	10V	D040221082050
* C600	XX704560	C. EL	100uF	16V	D040101083050
* C601	XX704390	C. CE. CHP	0. 022uF	50V	D011223777200
* C602	XX704390	C. CE. CHP	0. 022uF	50V	D011223777200
* C603	XX704330	C. CE. CHP	0. 01uF	50V	D011103597200
* C604	XX704340	C. CE. CHP	0. 1uF	50V	D011104597200

* New Parts

Schm						
Ref.	PART NO.	Description	Remarks			
* C604	XX704340	C. CE. CHP	0. 1uF	50V		D011104597200
* C604	XX704350	C. CE. CHP	0. 1uF	50V		D011104777200
* C605	XX704390	C. CE. CHP	0. 022uF	50V		D011223777200
* C608	XX704540	C. EL	100uF	10V		D040101082050
* C609	XX704530	C. EL	10uF	50V		D040100087070
* C610	XX704440	C. CE. CHP	0. 047uF	50V		D011473777200
* C611	XX704710	C. EL	3. 3uF	50V		D0403R3087050
* C612	XX704390	C. CE. CHP	0. 022uF	50V		D011223777200
* C613	XX704390	C. CE. CHP	0. 022uF	50V (J)		D011223777200
* C613	XX705820	CN. WIRE	JUMPER (UCRABGL)			L045084006040
* C614	XX704530	C. EL	10uF	50V		D040100087070
* C615	XX704510	C. EL	1uF	50V		D040010087080
* C617	XX704510	C. EL	1uF	50V		D040010087080
* C618	XX704460	C. CE. CHP	0. 0082uF	50V		D011822777200
* C621	XX704250	C. CE. CHP	47pF	50V CH		D010470167200
* C622	XX704530	C. EL	10uF	50V		D040100087070
* C623	XX704390	C. CE. CHP	0. 022uF	50V (JRABGL)		D011223777200
* C623	XX704410	C. CE. CHP	0. 027uF	50V (UC)		D011273777200
* C624	XX704390	C. CE. CHP	0. 022uF	50V (JRABGL)		D011223777200
* C624	XX704410	C. CE. CHP	0. 027uF	50V (UC)		D011273777200
* C625	XX704680	C. EL	2. 2uF	50V		D0402R2087250
* C626	XX704680	C. EL	2. 2uF	50V		D0402R2087250
* C627	XX704450	C. CE. CHP	0. 0068uF	50V		D011682777200
* C627	XX704450	C. CE. CHP	0. 0068uF	50V		D011682777200
* C628	XX704450	C. CE. CHP	0. 0068uF	50V		D011682777200
* C628	XX704450	C. CE. CHP	0. 0068uF	50V		D011682777200
* C630	XX704210	C. CE. CHP	33pF	50V CH		D010330167200
* C631	XX704210	C. CE. CHP	33pF	50V CH		D010330167200
* C632	XX704310	C. CE. CHP	0. 001uF	50V		D011102777200
* C633	XX704310	C. CE. CHP	0. 001uF	50V		D011102777200
* C634	XX704350	C. CE. CHP	0. 1uF	50V		D011104777200
* C635	XX704770	C. EL	4. 7uF	50V		D0404R7087250
* C636	XX704600	C. EL	22uF	35V		D040220085050
* C637	XX704340	C. CE. CHP	0. 1uF	50V		D011104597200
* C637	XX704350	C. CE. CHP	0. 1uF	50V		D011104777200
* C644	XX704540	C. EL	100uF	10V		D040101082050
* C645	XX704390	C. CE. CHP	0. 022uF	50V		D011223777200
* C646	XX704530	C. EL	10uF	50V		D040100087070
* C647	XX704340	C. CE. CHP	0. 1uF	50V (BG)		D011104597200
* C648	XX704280	C. CE. CHP	560pF	50V CH (BG)		D010561167200
* C649	XX704340	C. CE. CHP	0. 1uF	50V (BG)		D011104597200
* C651	XX704180	C. CE. CHP	20pF	50V CH (BG)		D010200167200
* C652	XX704180	C. CE. CHP	20pF	50V CH (BG)		D010200167200
* C653	XX704800	C. EL	0. 47uF	50V		D040R47087050
* C654	XX704070	C. CE	100pF	50V (BG)		D005101177520
* C655	XX704170	C. CE. CHP	100pF	50V CH (BG)		D010101167200
* C656	XX704170	C. CE. CHP	100pF	50V CH (BG)		D010101167200
* C659	XX704340	C. CE. CHP	0. 1uF	50V (BG)		D011104597200
* C660	XX704170	C. CE. CHP	100pF	50V CH (BG)		D010101167200
* C661	XX704530	C. EL	10uF	50V (J)		D040100087070
* C662	XX704390	C. CE. CHP	0. 022uF	50V (J)		D011223777200
* C663	XX704800	C. EL	0. 47uF	50V (J)		D040R47087050
* C664	XX704330	C. CE. CHP	0. 01uF	50V (J)		D011103597200

* New Parts

CRX-M5

Schm Ref.	PART NO.	Description	Remarks
* C666	XX704530	C. EL 10uF 50V(J)	D040100087070
* C667	XX704530	C. EL 10uF 50V(J)	D040100087070
* C668	XX704600	C. EL 22uF 35V(J)	D040220085050
* C669	XX704800	C. EL 0.47uF 50V(J)	D040R47087050
* C670	XX704780	C. EL 0.22uF 50V(J)	D040R22087070
* C671	XX704250	C. CE. CHP 47pF 50V CH(J)	D010470167200
* C672	XX704720	C. EL 47uF 10V	D040470082050
* C673	XX704390	C. CE. CHP 0.022uF 50V(J)	D011223777200
* C674	XX704390	C. CE. CHP 0.022uF 50V(J)	D011223777200
* C675	XX704450	C. CE. CHP 0.0068uF 50V(J)	D011682777200
* C676	XX704450	C. CE. CHP 0.0068uF 50V	D011682777200
* C677	XX704340	C. CE. CHP 0.1uF 50V(J)	D011104597200
* C680	XX704540	C. EL 100uF 10V	D040101082050
* C681	XX704720	C. EL 47uF 10V(J)	D040470082050
* C682	XX704720	C. EL 47uF 10V(J)	D040470082050
* C684	XX704170	C. CE. CHP 100pF 50V CH(BG)	D010101167200
* C685	XX704170	C. CE. CHP 100pF 50V CH(BG)	D010101167200
* C686	XX704550	C. EL 100uF 10V(J)	D040101082070
* C686	XX704170	C. CE. CHP 100pF 50V CH(BG)	D010101167200
* C687	XX704170	C. CE. CHP 100pF 50V CH(BG)	D010101167200
* C690	XX704720	C. EL 47uF 10V(BG)	D040470082050
* C694	XX704340	C. CE. CHP 0.1uF 50V	D011104597200
* C696	XX704080	C. CE 0.001uF 50V(J)	D005102177530
* C698	XX704160	C. CE. CHP 10pF 50V CH(J)	D010100117200
* C801	XX704630	C. EL 220uF 16V	D040221083090
* C801	XX704760	C. EL 470uF 16V	D040471083020
* C802	XX704510	C. EL 1uF 50V	D040010087080
* C803	XX704780	C. EL 0.22uF 50V	D040R22087070
* C804	XX704800	C. EL 0.47uF 50V	D040R47087050
* C805	XX704530	C. EL 10uF 50V	D040100087070
* C805	XX704530	C. EL 10uF 50V	D040100087070
* C806	XX704340	C. CE. CHP 0.1uF 50V	D011104597200
* C807	XX704370	C. CE. CHP 0.015uF 50V	D011153777200
* C808	XX704380	C. CE. CHP 0.018uF 50V	D011183777200
* C809	XX704420	C. CE. CHP 0.0033uF 50V	D011332777200
* C810	XX704170	C. CE. CHP 100pF 50V CH	D010101167200
* C811	XX704420	C. CE. CHP 0.0033uF 50V	D011332777200
* C812	XX704320	C. CE. CHP 0.01uF 25V	D011103274200
* C812	XX704330	C. CE. CHP 0.01uF 50V	D011103597200
* C813	XX704480	C. POL 0.1uF 50V	D020104167050
* C815	XX704360	C. CE. CHP 0.0015uF 50V	D011152777200
* C816	XX704500	C. POL 0.047uF 50V	D020473167050
* C817	XX704220	C. CE. CHP 330pF 50V CH	D010331167200
* C818	XX704340	C. CE. CHP 0.1uF 50V	D011104597200
* C819	XX704490	C. POL 0.033uF 50V	D020333167050
* C822	XX704520	C. EL 10uF 25V	D040100084050
* C823	XX704320	C. CE. CHP 0.01uF 25V	D011103274200
* C823	XX704330	C. CE. CHP 0.01uF 50V	D011103597200
* C824	XX704580	C. EL 100uF 25V	D040101084060
* C825	XX704720	C. EL 47uF 10V	D040470082050
* C826	XX704310	C. CE. CHP 0.001uF 50V	D011102777200
* C827	XX704790	C. EL 0.33uF 50V	D040R33087070
* C828	XX704480	C. POL 0.1uF 50V	D020104167050

* New Parts

Schm Ref.	PART NO.	Description	Remarks
* C829	XX704440	C. CE. CHP 0.047uF 50V	D011473777200
* C830	XX704520	C. EL 10uF 25V	D040100084050
* C831	XX704340	C. CE. CHP 0.1uF 50V	D011104597200
* C832	XX704540	C. EL 100uF 10V	D040101082050
* C833	XX704340	C. CE. CHP 0.1uF 50V	D011104597200
* C834	XX704540	C. EL 100uF 10V	D040101082050
* C835	XX704080	C. CE 0.001uF 50V	D005102177530
* C836	XX704560	C. EL 100uF 16V	D040101083050
* C838	XX704340	C. CE. CHP 0.1uF 50V	D011104597200
* C839	XX704430	C. CE. CHP 0.033uF 50V	D011333777200
* C840	XX704160	C. CE. CHP 10pF 50V CH	D010100117200
* C841	XX704200	C. CE. CHP 2.2pF 50V CH	D0102R2107200
* C842	XX704470	C. POL 0.01uF 50V	D020103167050
* C843	XX704770	C. EL 4.7uF 50V	D0404R7087250
* C843	XX704770	C. EL 4.7uF 50V	D0404R7087250
* C844	XX704340	C. CE. CHP 0.1uF 50V	D011104597200
* C845	XX704340	C. CE. CHP 0.1uF 50V	D011104597200
* C845	XX704340	C. CE. CHP 0.1uF 50V	D011104597200
* C846	XX704190	C. CE. CHP 220pF 50V CH	D010221167200
* C847	XX704340	C. CE. CHP 0.1uF 50V	D011104597200
* C848	XX704290	C. CE. CHP 82pF 50V CH	D010820167200
* C849	XX704540	C. EL 100uF 10V	D040101082050
* C850	XX704180	C. CE. CHP 20pF 50V CH	D010200167200
* C850	XX704180	C. CE. CHP 20pF 50V CH	D010200167200
* C851	XX704180	C. CE. CHP 20pF 50V CH	D010200167200
* C851	XX704180	C. CE. CHP 20pF 50V CH	D010200167200
* C852	XX704340	C. CE. CHP 0.1uF 50V	D011104597200
* C853	XX704190	C. CE. CHP 220pF 50V CH	D010221167200
* C854	XX704190	C. CE. CHP 220pF 50V CH	D010221167200
* C855	XX704620	C. EL 220uF 10V	D040221082050
* C856	XX704170	C. CE. CHP 100pF 50V CH	D010101167200
* C857	XX704170	C. CE. CHP 100pF 50V CH	D010101167200
* C858	XX704170	C. CE. CHP 100pF 50V CH	D010101167200
* C859	XX704170	C. CE. CHP 100pF 50V CH	D010101167200
* C860	XX704520	C. EL 10uF 25V	D040100084050
* C861	XX704520	C. EL 10uF 25V	D040100084050
* C862	XX704150	C. CE 560pF 50V	D005561277520
* C863	XX704320	C. CE. CHP 0.01uF 25V	D011103274200
* C863	XX704330	C. CE. CHP 0.01uF 50V	D011103597200
* C864	XX704310	C. CE. CHP 0.001uF 50V	D011102777200
* C865	XX704310	C. CE. CHP 0.001uF 50V	D011102777200
* C866	XX704310	C. CE. CHP 0.001uF 50V	D011102777200
* C867	XX704310	C. CE. CHP 0.001uF 50V	D011102777200
* C871	XX704720	C. EL 47uF 10V	D040470082050
* C872	XX704110	C. CE 0.1uF 50V	D005104597520
* C879	XX704620	C. EL 220uF 10V	D040221082050
* C880	XX704320	C. CE. CHP 0.01uF 25V	D011103274200
* C880	XX704330	C. CE. CHP 0.01uF 50V	D011103597200
* C884	XX704060	C. CE 0.1uF 50V	D004104597060
* C885	XX704340	C. CE. CHP 0.1uF 50V	D011104597200
* C886	XX704310	C. CE. CHP 0.001uF 50V	D011102777200
* C887	XX704400	C. CE. CHP 0.22uF 50V	D011224597200
* C888	XX704370	C. CE. CHP 0.015uF 50V	D011153777200

* New Parts

CRX-M5

Schm						
Ref.	PART NO.	Description	Remarks			
* C889	XX704170	C. CE. CHP	100pF	50V	CH	D010101167200
* C890	XX704260	C. CE. CHP	470pF	50V	CH	D010471167200
* C891	XX704260	C. CE. CHP	470pF	50V	CH	D010471167200
* C892	XX704340	C. CE. CHP	0.1uF	50V		D011104597200
* C893	XX704350	C. CE. CHP	0.1uF	50V		D011104777200
* C894	XX704260	C. CE. CHP	470pF	50V	CH	D010471167200
* C895	XX704260	C. CE. CHP	470pF	50V	CH	D010471167200
* C899	XX704310	C. CE. CHP	0.001uF	50V		D011102777200
* C900	XX704390	C. CE. CHP	0.022uF	50V		D011223777200
* C901	XX704440	C. CE. CHP	0.047uF	50V		D011473777200
* C902	XX704350	C. CE. CHP	0.1uF	50V		D011104777200
* C999	XX704560	C. EL	100uF	16V		D040101083050
* CF601	XX704890	FLTR. CE. FM	SFE10. 7MJA10HA (BG)			E43010R700100
* CF601	XX704900	FLTR. CE. FM	SFE10. 7MA5 (JUCRAL)			E43010R700300
* CF602	XX704890	FLTR. CE. FM	SFE10. 7MJA10HA (BG)			E43010R700100
* CF602	XX704900	FLTR. CE. FM	SFE10. 7MA5 (JUCRAL)			E43010R700300
* CF605	XX704910	FLTR. CE	CDA10. 7MG46-A			E43010R700810
* CF606	XX704990	RSNR. CE	CSB456F15			E830456000030
* CN321	XX705810	CN. WIRE	5P 80mm WH/BK			L000800050010
* CN401	XX706070	CN. FLAT	33P 120mm			L301121330010
* CN402	XX705750	CN. WIRE	13P 140mm WH/BK			L000141130010
* CN403	XX705780	CN. WIRE	4P 200mm WH/BK			L000201040030
* CN501	XX705790	CN. WIRE	2P 490mm WH/BK			L000491020010
* CN502	XX705790	CN. WIRE	2P 490mm WH/BK			L000491020010
* CN502	XX705800	CN. WIRE	3P 490mm WH/BK/RD			L000491030010
* CN510	XX705760	CN. WIRE	8P 150mm WH/BK			L000151080020
* CN651	XX705740	CN. WIRE	14P 120mm WH/BK			L000121140010
* CN801	XX706080	CN. FLAT	16P 160mm			L301161160020
* CN802	XX706090	CN. FLAT	16P 460mm			L301461160010
* CN802	XX706100	CN. FLAT	16P 480mm			L301481160010
* D101	XX705600	DIODE	1SS131T			K000013100520
* D101	XX705610	DIODE	1SS133T			K000013300520
* D102	XX705600	DIODE	1SS131T			K000013100520
* D102	XX705610	DIODE	1SS133T			K000013300520
* D104	XX705600	DIODE	1SS131T			K000013100520
* D104	XX705610	DIODE	1SS133T			K000013300520
* D105	XX705600	DIODE	1SS131T			K000013100520
* D105	XX705610	DIODE	1SS133T			K000013300520
* D110	XX705600	DIODE	1SS131T			K000013100520
* D110	XX705610	DIODE	1SS133T			K000013300520
* D121	XX705600	DIODE	1SS131T			K000013100520
* D121	XX705610	DIODE	1SS133T			K000013300520
* D122	XX705600	DIODE	1SS131T			K000013100520
* D122	XX705610	DIODE	1SS133T			K000013300520
* D310	XX705600	DIODE	1SS131T			K000013100520
* D310	XX705610	DIODE	1SS133T			K000013300520
* D401	XX705600	DIODE	1SS131T			K000013100520
* D401	XX705610	DIODE	1SS133T			K000013300520
* D402	XX705600	DIODE	1SS131T			K000013100520
* D402	XX705610	DIODE	1SS133T			K000013300520
* D403	XX705600	DIODE	1SS131T			K000013100520
* D403	XX705610	DIODE	1SS133T			K000013300520
* D404	XX705610	DIODE	1SS133T			K000013300520

* New Parts

Schm						
Ref.	PART NO.	Description	Remarks			
* D420	XX705600	DIODE	1SS131T			K000013100520
* D420	XX705610	DIODE	1SS133T			K000013300520
* D501	XX705640	DIODE. BRG	D3SB20/DBF40C 5A-4			K047004000010
* D503	XX705600	DIODE	1SS131T			K000013100520
* D503	XX705610	DIODE	1SS133T			K000013300520
* D504	XX705600	DIODE	1SS131T			K000013100520
* D504	XX705610	DIODE	1SS133T			K000013300520
* D505	XX705630	DIODE	1N4003			K040400300520
* D506	XX705630	DIODE	1N4003			K040400300520
* D507	XX705600	DIODE	1SS131T			K000013100520
* D507	XX705610	DIODE	1SS133T			K000013300520
* D508	XX705630	DIODE	1N4003			K040400300520
* D509	XX705630	DIODE	1N4003			K040400300520
* D510	XX705600	DIODE	1SS131T			K000013100520
* D510	XX705610	DIODE	1SS133T			K000013300520
* D511	XX705600	DIODE	1SS131T			K000013100520
* D511	XX705630	DIODE	1N4003			K040400300520
* D512	XX705620	DIODE	KDS226			K005022600020
* D513	XX705610	DIODE	1SS133T			K000013300520
* D516	XX705610	DIODE	1SS133T			K000013300520
* D520	XX705630	DIODE	1N4003			K040400300520
* D602	XX705600	DIODE	1SS131T			K000013100520
* D602	XX705610	DIODE	1SS133T			K000013300520
* D603	XX705620	DIODE	KDS226			K005022600020
* D606	XX705620	DIODE	KDS226			K005022600020
* D671	XX705610	DIODE	1SS133T			K000013300520
* D672	XX705620	DIODE	KDS226			K005022600020
* D805	XX705630	DIODE	1N4003			K040400300520
* D806	XX705630	DIODE	1N4003			K040400300520
* D900	XX705620	DIODE	KDS226			K005022600020
* D901	XX705620	DIODE	KDS226			K005022600020
* F501	XX705230	FUSE	250V-S1. 25A (JUC)			G650122121010
* F501	XX705250	FUSE	250V-T630MA (RABGL)			G650631251160
* F503	XX705210	FUSE	250V-S1A-U/C/ (UC)			G650102251100
* F503	XX705220	FUSE	250V-T1A (BG)			G650102251160
* F503	XX705240	FUSE	250V-T1. 25A (RAL)			G650122251020
* FB604	XX704840	COIL. FLTR	BFS2550A0F1 (BG)			D320255000520
* FB605	XX704840	COIL. FLTR	BFS2550A0F1			D320255000520
* FB606	XX704840	COIL. FLTR	BFS2550A0F1			D320255000520
* FB607	XX704840	COIL. FLTR	BFS2550A0F1			D320255000520
* FB610	XX704840	COIL. FLTR	BFS2550A0F1 (BG)			D320255000520
* FB640	XX704840	COIL. FLTR	BFS2550A0F1 (BG)			D320255000520
* FB641	XX704840	COIL. FLTR	BFS2550A0F1 (BG)			D320255000520
* FB643	XX704840	COIL. FLTR	BFS2550A0F1 (BG)			D320255000520
* FH	XX705200	HOLDER. FUS	PI5. 2-REEL			G645000040010
* FIP40	XX705730	FL. DSPLY	SVA-12MM11			K530000400010
* IC002	XX705330	IC	KIA4558F			J121455800070
* IC101	XX705340	IC	TDA7296			J122729600010
* IC102	XX705340	IC	TDA7296			J122729600010
* IC301	XX705350	IC	TDA7318D			J123731800010
* IC302	XX705330	IC	KIA4558F			J121455800070
* IC360	XX705330	IC	KIA4558F			J121455800070
* IC401	XX705040	L. DTCT	PNA4602MOOLB			E940460200020

* New Parts

CRX-M5

Schm				
Ref.	PART NO.	Description	Remarks	
* IC401	XX705270	IC	LC866540A-5G92	J020866540010
* IC401	XX705280	IC	LC866540A	J020866540020
* IC402	XX705380	IC	KIA7039P, 3.9V	J125703900000
* IC501	XX705420	IC	KIA7812PI, 20W	J126781200040
* IC502	XX705390	IC	KIA7805PI	J126780500000
* IC503	XX705410	IC	KIA7809PI, 20W	J126780900020
* IC504	XX705430	IC	NJM79M09FA, 7.5W	J126790900010
* IC601	XX705370	IC	LA1832	J124183200010
* IC620	XX705360	IC	MC13028AD AM ST(J)	J124130280010
* IC630	XX705310	IC	LC72131M-PLL	J120721310010
* IC640	XX705400	IC	KIA78S05P, 0.6W	J126780500070
* IC651	XX705320	IC	LC72720M, MFP24P (RD)	J120727200010
* IC801	XX705300	IC	LA9240M-SSP&CDP	J032924000010
* IC802	XX705290	IC	LC78621E-DSP&CDP	J031786210010
* IC803	XX705450	IC	KA9258D	J127925800010
* IC805	XX705330	IC	KIA4558F	J121455800070
* IC807	XX705440	IC	BA6209N/VOLUME	J127620900010
* IC808	XX705440	IC	BA6209N/VOLUME	J127620900010
* J001	XX703600	R. CAR. CHP	0Ω 1/10W	C200000060200
* J100-140	XX705820	CN. WIRE	TAPING JUMPER 0.6/	L045084006040
* J171-193	XX705820	CN. WIRE	TAPING JUMPER 0.6/	L045084006040
* J201-224	XX705820	CN. WIRE	TAPING JUMPER 0.6/	L045084006040
* J230-243	XX705820	CN. WIRE	TAPING JUMPER 0.6/	L045084006040
* J312	XX703600	R. CAR. CHP	0Ω 1/10W	C200000060200
* J313	XX703600	R. CAR. CHP	0Ω 1/10W	C200000060200
* J316-389	XX705820	CN. WIRE	TAPING JUMPER 0.6/	L045084006040
* J401	XX703600	R. CAR. CHP	0Ω 1/10W	C200000060200
* J410-442	XX705820	CN. WIRE	TAPING JUMPER 0.6/	L045084006040
* J443	XX703600	R. CAR. CHP	0Ω 1/10W	C200000060200
* J444-449	XX705820	CN. WIRE	TAPING JUMPER 0.6/	L045084006040
* J454-462	XX705820	CN. WIRE	TAPING JUMPER 0.6/	L045084006040
* J463	XX705820	CN. WIRE	JUMPER (BG)	L045084006040
* J463	XX703390	R. CAR	150Ω 1/5W(J)	C00001516P520
* J463	XX704840	COIL. FLTR	BFS2550A0F1 (UCRAL)	D320255000520
* J464-483	XX705820	CN. WIRE	TAPING JUMPER 0.6/	L045084006040
* J469	XX705820	CN. WIRE	TAPING JUMPER 0.6/	L045084006040
* J490	XX703600	R. CAR. CHP	0Ω 1/10W	C200000060200
* J490	XX703600	R. CAR. CHP	0Ω 1/10W	C200000060200
* J492	XX703600	R. CAR. CHP	0Ω 1/10W	C200000060200
* J493	XX703600	R. CAR. CHP	0Ω 1/10W	C200000060200
* J504	XX705820	CN. WIRE	TAPING JUMPER 0.6/	L045084006040
* J613	XX703600	R. CAR. CHP	0Ω 1/10W	C200000060200
* J621	XX703600	R. CAR. CHP	0Ω 1/10W	C200000060200
* J801	XX703600	R. CAR. CHP	0Ω 1/10W	C200000060200
* JK101	XX705100	TERM. SP	P40420450P-4P/SP	G040404204500
* JK102	XX705180	JACK. RCA	DAERYUNG/JC010127G	G600010127010
* JK103	XX704880	L. DTCT	GP1F32T/OPTICAL TR	E100132000010
* JK104	XX705150	JACK	EMUDEN/M1787-1	G401496000000
* JK301	XX705190	JACK. RCA	DAERYUNG/JK0400450	G602040045000
* JK303	XX705190	JACK. RCA	DAERYUNG/JK0400450	G602040045000
* JK401	XX705140	JACK	HTJ035-18AB(G)	G401035180010
* JK601	XX705090	TERM. ANT	AK1/2-1058 ANT 4P	G040105800000
* L601	XX704850	COIL. FLTR	10uH	D330100700520

* New Parts

Schm				
Ref.	PART NO.	Description	Remarks	
* L602	XX704850	COIL. FLTR	10uH	D330100700520
* L603	XX704850	COIL. FLTR	10uH	D330100700520
* L623	XX704830	COIL. TRAP	A187LY-K5006 (BG)	D302187500610
* L691	XX705820	CN. WIRE	TAPING JUMPER 0.6/	L045084006040
* OC619	XX704240	C. CE. CHP	390pF 50V CH (BG)	D010391167200
* OC619	XX704300	C. CE. CHP	820pF 50V CH (UCRAL)	D010821167200
* OC619	XX704310	C. CE. CHP	0.001uF 50V (J)	D011102777200
* OC620	XX704170	C. CE. CHP	100pF 50V CH (BG)	D010101167200
* OC638	XX704330	C. CE. CHP	0.01uF 50V (UCRABGL)	D011103597200
* OC639	XX704330	C. CE. CHP	0.01uF 50V (UCRABGL)	D011103597200
* OC640	XX704340	C. CE. CHP	0.1uF 50V (J)	D011104597200
* OC641	XX704340	C. CE. CHP	0.1uF 50V (J)	D011104597200
* OC642	XX704340	C. CE. CHP	0.1uF 50V (J)	D011104597200
* OC643	XX704340	C. CE. CHP	0.1uF 50V (J)	D011104597200
* OC645	XX704130	C. CE	330pF 50V (BG)	D005331277520
* OC665	XX704080	C. CE	0.001uF 50V (J)	D005102177530
* OC678	XX704340	C. CE. CHP	0.1uF 50V (J)	D011104597200
* OC695	XX704140	C. CE	0.047uF 50V (UCRAAL)	D005473597520
* OD401	XX705600	DIODE	1SS131T (UC)	K000013100520
* OD402	XX705600	DIODE	1SS131T (J)	K000013100520
* OD403	XX705600	DIODE	1SS131T (JRABGL)	K000013100520
* OD404	XX705600	DIODE	1SS131T (UCRABGL)	K000013100520
* OD405	XX705600	DIODE	1SS131T (RABGL)	K000013100520
* OD407	XX705600	DIODE	1SS131T (BG)	K000013100520
* OJ434	XX705820	CN. WIRE	JUMPER (UCRAL)	L045084006040
* OJ439	XX705820	CN. WIRE	JUMPER (UCRABGL)	L045084006040
* OJ448	XX703600	R. CAR. CHP	0Ω 1/10W (UCRABGL)	C200000060200
* OJ449	XX703600	R. CAR. CHP	0Ω 1/10W (UCRABGL)	C200000060200
* OJ450	XX703600	R. CAR. CHP	0Ω 1/10W (UCRABGL)	C200000060200
* OJ451	XX705820	CN. WIRE	JUMPER (UCRABGL)	L045084006040
* OJ452	XX705820	CN. WIRE	JUMPER (UCRABGL)	L045084006040
* OJ601	XX703600	R. CAR. CHP	0Ω 1/10W	C200000060200
* OJ603	XX705820	CN. WIRE	JUMPER (UCRABGL)	L045084006040
* OJ604	XX703600	R. CAR. CHP	0Ω 1/10W (UCRABGL)	C200000060200
* OJ604	XX705820	CN. WIRE	JUMPER (J)	L045084006040
* OJ683	XX705820	CN. WIRE	JUMPER (UCRABGL)	L045084006040
* OR311	XX705820	CN. WIRE	TAPING JUMPER	L045084006040
* OR312	XX703600	R. CAR. CHP	0Ω 1/10W	C200000060200
* OR605	XX703610	R. CAR. CHP	10Ω 1/10W (BG)	C200010060200
* OR605	XX703850	R. CAR. CHP	33Ω 1/10W (JURAL)	C200033060200
* OR645	XX703350	R. CAR	1KΩ 1/5W (BG)	C00001026P520
* OR663	XX703460	R. CAR	22KΩ 1/5W (J)	C00002236P520
* PN321	XX705960	CN. WAFER	5P 53014-0510	L101530140510
* PN401	XX706060	CN. FPC	33P 52045-3310 STR	L131520453300
* PN401A	XX706040	CN. FPC	33P 52044-3310 ANG	L131520443300
* PN402	XX705980	CN. WAFER	13P 53014-1310	L101530141310
* PN403	XX705950	CN. WAFER	4P 53014-0410	L101530140410
* PN501	XX706010	CN. WAFER	2P YW396-32V	L108039602010
* PN503	XX706000	CN. WAFER	PLUG 35328-0210	L104353280200
* PN503	XX706010	CN. WAFER	2P YW396-32V	L108039602010
* PN503	XX706020	CN. WAFER	3P 35328-0310	L108353280310
* PN510	XX705970	CN. WAFER	8P 53014-0810	L101530140810
* PN651	XX705990	CN. WAFER	14P 53014-1410	L101530141410

* New Parts

Schm Ref.	PART NO.	Description	Remarks
* PN801	XX706030	CN. FPC	16P 52806-1610 STR L130528061610
* PN802	XX706050	CN. FPC	16P 52045-1610 STR L131520451610
* PN803	XX705930	CN. WAFER	GIL-S-02P-S2T2-EF L101220020020
* PN804	XX705940	CN. WAFER	GIL-S-02P-S2T2-EF L101220020030
* PN805	XX705950	CN. WAFER	4P 53014-0410 L101530140410
* PN805A	XX705770	CN. WIRE	4P 200mm WH/BK L000201040020
* Q001	XX705550	TR	DTC343TK J5220343T0210
* Q002	XX705550	TR	DTC343TK J5220343T0210
* Q101	XX705550	TR	DTC343TK J5220343T0210
* Q102	XX705550	TR	DTC343TK J5220343T0210
* Q110	XX705580	TR	DTA114ES J6000114E0010
* Q111	XX705580	TR	DTA114ES J6000114E0010
* Q112	XX705490	TR	DTA144EK J5200144E0210
* Q401	XX705560	TR	KTC3875Y J5223875Y0210
* Q402	XX705530	TR	DTC143TK J5220143T0210
* Q501	XX705470	TR	KTC3205Y J5023205Y0020
* Q502	XX705460	TR	KTA1273Y J5001273Y0050
* Q601	XX705570	TR	KTC3879Y J5223879Y0210
* Q602	XX705590	TR	DTA144ES J6000144E0010
* Q603	XX705530	TR	DTC143TK J5220143T0210
* Q604	XX705510	TR	DTC114EK J5220114E0210
* Q605	XX705510	TR	DTC114EK J5220114E0210
* Q630	XX705510	TR	DTC114EK (BG) J5220114E0210
* Q651	XX705490	TR	DTA144EK (BG) J5200144E0210
* Q652	XX705530	TR	DTC143TK (BG) J5220143T0210
* Q661	XX705530	TR	DTC143TK (J) J5220143T0210
* Q662	XX705530	TR	DTC143TK (J) J5220143T0210
* Q681	XX705540	TR	DTC144TK (J) J5220144T0210
* Q682	XX705540	TR	DTC144TK (J) J5220144T0210
* Q683	XX705540	TR	DTC144TK (J) J5220144T0210
* Q684	XX705540	TR	DTC144TK (J) J5220144T0210
* Q801	XX705500	TR	KTA1504Y J5201504Y0210
* Q802	XX705480	TR	KSD882Y J5030882Y0120
* Q803	XX705520	TR	DTC115TK J5220115T0210
* Q805	XX705550	TR	DTC343TK J5220343T0210
* Q806	XX705550	TR	DTC343TK J5220343T0210
* Q807	XX705490	TR	DTA144EK J5200144E0210
R001	HF455100	R. CAR	100Ω 1/4W C000010163520
* R002	XX703630	R. CAR. CHP	1KΩ 1/10W C200010260200
* R003	XX703630	R. CAR. CHP	1KΩ 1/10W C200010260200
* R004	XX703770	R. CAR. CHP	18KΩ 1/10W C200018360200
* R005	XX703770	R. CAR. CHP	18KΩ 1/10W C200018360200
* R006	XX703720	R. CAR. CHP	150Ω 1/10W C200015160200
* R007	XX703720	R. CAR. CHP	150Ω 1/10W C200015160200
* R008	XX703630	R. CAR. CHP	1KΩ 1/10W C200010260200
* R009	XX703630	R. CAR. CHP	1KΩ 1/10W C200010260200
R012	HF455100	R. CAR	100Ω 1/4W C000010163520
* R101	XX703480	R. CAR	3.3KΩ 1/5W C00003326P520
* R102	XX703480	R. CAR	3.3KΩ 1/5W C00003326P520
* R103	XX703450	R. CAR	2.2KΩ 1/5W C00002226P520
* R104	XX703450	R. CAR	2.2KΩ 1/5W C00002226P520
* R105	XX703800	R. CAR. CHP	22KΩ 1/10W C200022360200
* R106	XX703800	R. CAR. CHP	22KΩ 1/10W C200022360200

* New Parts

Schm Ref.	PART NO.	Description	Remarks
* R107	XX703540	R. CAR	680Ω 1/5W C00006816P520
* R108	XX703540	R. CAR	680Ω 1/5W C00006816P520
* R109	XX703800	R. CAR. CHP	22KΩ 1/10W C200022360200
* R110	XX703800	R. CAR. CHP	22KΩ 1/10W C200022360200
R111	HJ353470	R. CAR	4.7Ω 1/4W C0004R7063520
R112	HJ353470	R. CAR	4.7Ω 1/4W C0004R7063520
R115	HF456100	R. CAR	1KΩ 1/4W C000010263520
R116	HF456100	R. CAR	1KΩ 1/4W C000010263520
R117	HJ357120		12KΩ 1/4W C000012363520
R118	HJ357120		12KΩ 1/4W C000012363520
* R119	XX703370	R. CAR	100KΩ 1/5W C00001046P520
* R120	XX703370	R. CAR	100KΩ 1/5W C00001046P520
* R123	XX703930	R. CAR. CHP	4.7KΩ 1/10W C200047260200
* R124	XX704000	R. CAR. CHP	68KΩ 1/10W C200068360200
* R125	XX703460	R. CAR	22KΩ 1/5W C00002236P520
* R126	XX703510	R. CAR	47KΩ 1/5W C00004736P520
* R126	XX703560	R. CAR	68KΩ 1/5W C00006836P520
R127	HF456150	R. CAR	1.5KΩ 1/4W C000015263520
* R127	XX703400	R. CAR	1.5KΩ 1/5W C00001526P520
* R128	XX703350	R. CAR	1KΩ 1/5W C00001026P520
* R129	XX703350	R. CAR	1KΩ 1/5W C00001026P520
* R155	XX703630	R. CAR. CHP	1KΩ 1/10W C200010260200
* R159	XX703490	R. CAR	470Ω 1/5W C00004716P520
* R160	XX703790	R. CAR. CHP	2.2KΩ 1/10W C200022260200
* R301	XX703800	R. CAR. CHP	22KΩ 1/10W C200022360200
* R302	XX703800	R. CAR. CHP	22KΩ 1/10W C200022360200
* R303	XX703940	R. CAR. CHP	47KΩ 1/10W C200047360200
* R304	XX703940	R. CAR. CHP	47KΩ 1/10W C200047360200
* R305	XX703800	R. CAR. CHP	22KΩ 1/10W C200022360200
* R306	XX703800	R. CAR. CHP	22KΩ 1/10W C200022360200
* R307	XX703910	R. CAR. CHP	39KΩ 1/10W C200039360200
* R307	XX703940	R. CAR. CHP	47KΩ 1/10W C200047360200
* R308	XX703940	R. CAR. CHP	47KΩ 1/10W C200047360200
* R313	XX703360	R. CAR	10KΩ 1/5W C00001036P520
* R314	XX703360	R. CAR	10KΩ 1/5W C00001036P520
* R315	XX703900	R. CAR. CHP	3.9KΩ 1/10W C200039260200
* R316	XX703900	R. CAR. CHP	3.9KΩ 1/10W C200039260200
* R317	XX703530	R. CAR	560KΩ 1/5W C00005646P520
* R318	XX703530	R. CAR	560KΩ 1/5W C00005646P520
R319	HV754100	R. CAR. FP	10Ω 1/4W C001010063100
* R320	XX703350	R. CAR	1KΩ 1/5W C00001026P520
* R320	XX703350	R. CAR	1KΩ 1/5W C00001026P520
* R321	XX703630	R. CAR. CHP	1KΩ 1/10W C200010260200
* R326	XX703620	R. CAR. CHP	100Ω 1/10W C200010160200
* R327	XX703620	R. CAR. CHP	100Ω 1/10W C200010160200
* R353	XX703350	R. CAR	1KΩ 1/5W C00001026P520
* R354	XX703350	R. CAR	1KΩ 1/5W C00001026P520
* R355	XX703350	R. CAR	1KΩ 1/5W C00001026P520
* R356	XX703350	R. CAR	1KΩ 1/5W C00001026P520
* R361	XX703350	R. CAR	1KΩ 1/5W C00001026P520
* R362	XX703630	R. CAR. CHP	1KΩ 1/10W C200010260200
* R363	XX703940	R. CAR. CHP	47KΩ 1/10W C200047360200
* R364	XX703940	R. CAR. CHP	47KΩ 1/10W C200047360200

* New Parts

CRX-M5

Schm Ref.	PART NO.	Description	Remarks
* R365	XX703940	R. CAR. CHP 47KΩ 1/10W	C200047360200
* R366	XX703940	R. CAR. CHP 47KΩ 1/10W	C200047360200
R367	HF455100	R. CAR 100Ω 1/4W	C000010163520
R368	HF455100	R. CAR 100Ω 1/4W	C000010163520
* R369	XX703940	R. CAR. CHP 47KΩ 1/10W	C200047360200
* R370	XX703940	R. CAR. CHP 47KΩ 1/10W	C200047360200
* R373	XX703630	R. CAR. CHP 1KΩ 1/10W	C200010260200
* R374	XX703350	R. CAR 1KΩ 1/5W	C00001026P520
* R375	XX703630	R. CAR. CHP 1KΩ 1/10W	C200010260200
* R376	XX703350	R. CAR 1KΩ 1/5W	C00001026P520
* R397	XX703630	R. CAR. CHP 1KΩ 1/10W	C200010260200
R398	HF456100	R. CAR 1KΩ 1/4W	C000010263520
* R398	XX703350	R. CAR 1KΩ 1/5W	C00001026P520
* R398	XX703630	R. CAR. CHP 1KΩ 1/10W	C200010260200
* R401	XX703640	R. CAR. CHP 10KΩ 1/10W	C200010360200
* R402	XX703350	R. CAR 1KΩ 1/5W	C00001026P520
* R404	XX703360	R. CAR 10KΩ 1/5W	C00001036P520
* R405	XX703640	R. CAR. CHP 10KΩ 1/10W	C200010360200
* R406	XX703480	R. CAR 3.3KΩ 1/5W	C00003326P520
* R407	XX703510	R. CAR 47KΩ 1/5W	C00004736P520
* R408	XX703540	R. CAR 680Ω 1/5W	C00006816P520
R409	HF457470	R. CAR 47KΩ 1/6W	C000047363520
* R409	XX703570	R. CAR 820Ω 1/5W	C00008216P520
* R410	XX703380	R. CAR 1.2KΩ 1/5W	C00001226P520
* R411	XX703360	R. CAR 10KΩ 1/5W	C00001036P520
* R411	XX703400	R. CAR 1.5KΩ 1/5W	C00001526P520
* R412	XX703450	R. CAR 2.2KΩ 1/5W	C00002226P520
* R413	XX703360	R. CAR 10KΩ 1/5W	C00001036P520
* R413	XX703480	R. CAR 3.3KΩ 1/5W	C00003326P520
* R414	XX703360	R. CAR 10KΩ 1/5W	C00001036P520
* R414	XX703500	R. CAR 4.7KΩ 1/5W	C00004726P520
* R415	XX703480	R. CAR 3.3KΩ 1/5W	C00003326P520
* R415	XX703580	R. CAR 8.2KΩ 1/5W	C00008226P520
* R416	XX703360	R. CAR 10KΩ 1/5W	C00001036P520
* R417	XX703800	R. CAR. CHP 22KΩ 1/10W	C200022360200
* R418	XX703360	R. CAR 10KΩ 1/5W	C00001036P520
* R418	XX703480	R. CAR 3.3KΩ 1/5W	C00003326P520
R419	HF456220	R. CAR 2.2KΩ 1/4W	C000022263520
R419	HF456560	R. CAR 5.6KΩ 1/4W	C000056263520
* R420	XX703540	R. CAR 680Ω 1/5W	C00006816P520
* R420	XX703630	R. CAR. CHP 1KΩ 1/10W	C200010260200
* R421	XX703360	R. CAR 10KΩ 1/5W	C00001036P520
* R421	XX703570	R. CAR 820Ω 1/5W	C00008216P520
* R422	XX703360	R. CAR 10KΩ 1/5W	C00001036P520
* R422	XX703380	R. CAR 1.2KΩ 1/5W	C00001226P520
* R423	XX703400	R. CAR 1.5KΩ 1/5W	C00001526P520
* R423	XX703640	R. CAR. CHP 10KΩ 1/10W	C200010360200
* R424	XX703450	R. CAR 2.2KΩ 1/5W	C00002226P520
* R425	XX703480	R. CAR 3.3KΩ 1/5W	C00003326P520
* R425	XX703670	R. CAR. CHP 10MΩ 1/10W	C200010660200
* R426	XX703500	R. CAR 4.7KΩ 1/5W	C00004726P520
* R426	XX703650	R. CAR. CHP 100KΩ 1/10W	C200010460200
* R431	XX703640	R. CAR. CHP 10KΩ 1/10W	C200010360200

* New Parts

Schm Ref.	PART NO.	Description	Remarks
* R432	XX703360	R. CAR 10KΩ 1/5W	C00001036P520
* R433	XX703360	R. CAR 10KΩ 1/5W	C00001036P520
* R433	XX703480	R. CAR 3.3KΩ 1/5W	C00003326P520
* R434	XX703360	R. CAR 10KΩ 1/5W	C00001036P520
* R434	XX703480	R. CAR 3.3KΩ 1/5W	C00003326P520
* R435	XX704010	R. CAR. CHP 8.2KΩ 1/10W	C200082260200
* R436	XX703430	R. CAR 18KΩ 1/5W	C00001836P520
* R437	XX703910	R. CAR. CHP 39KΩ 1/10W	C200039360200
* R437	XX703910	R. CAR. CHP 39KΩ 1/10W	C200039360200
* R438	XX703940	R. CAR. CHP 47KΩ 1/10W	C200047360200
* R439	XX703350	R. CAR 1KΩ 1/5W	C00001026P520
* R440	XX703580	R. CAR 8.2KΩ 1/5W	C00008226P520
* R441	XX704010	R. CAR. CHP 8.2KΩ 1/10W	C200082260200
* R442	XX703580	R. CAR 8.2KΩ 1/5W	C00008226P520
* R444	XX703360	R. CAR 10KΩ 1/5W	C00001036P520
* R445	XX703360	R. CAR 10KΩ 1/5W	C00001036P520
* R446	XX703360	R. CAR 10KΩ 1/5W	C00001036P520
* R447	XX703360	R. CAR 10KΩ 1/5W	C00001036P520
* R448	XX703360	R. CAR 10KΩ 1/5W	C00001036P520
* R449	XX703360	R. CAR 10KΩ 1/5W	C00001036P520
* R450	XX703360	R. CAR 10KΩ 1/5W	C00001036P520
* R451	XX703650	R. CAR. CHP 100KΩ 1/10W	C200010460200
* R453	XX703650	R. CAR. CHP 100KΩ 1/10W	C200010460200
* R454	XX703370	R. CAR 100KΩ 1/5W	C00001046P520
* R455	XX703650	R. CAR. CHP 100KΩ 1/10W	C200010460200
* R456	XX703650	R. CAR. CHP 100KΩ 1/10W	C200010460200
* R457	XX703650	R. CAR. CHP 100KΩ 1/10W	C200010460200
* R458	XX703650	R. CAR. CHP 100KΩ 1/10W	C200010460200
R460	HF456100	R. CAR 1KΩ 1/4W (BG)	C000010263520
* R461	XX703350	R. CAR 1KΩ 1/5W	C00001026P520
* R500	XX703590	R. MTL 3.3MΩ 1/2W (UC)	C060033574530
* R501	XX703350	R. CAR 1KΩ 1/5W	C00001026P520
R502	HF455150	R. CAR 150Ω 1/4W	C000015163520
R503	HF456220	R. CAR 2.2KΩ 1/4W	C000022263520
R504	HF455560	R. CAR 560Ω 1/4W	C000056163520
* R505	XX703360	R. CAR 10KΩ 1/5W	C00001036P520
* R508	XX703480	R. CAR 3.3KΩ 1/5W	C00003326P520
* R542	XX703370	R. CAR 100KΩ 1/5W	C00001046P520
* R600	XX703860	R. CAR. CHP 330Ω 1/10W	C200033160200
* R601	XX703340	R. CAR 100Ω 1/5W	C00001016P520
* R603	XX703980	R. CAR. CHP 680Ω 1/10W	C200068160200
* R604	XX703860	R. CAR. CHP 330Ω 1/10W	C200033160200
* R606	XX703860	R. CAR. CHP 330Ω 1/10W	C200033160200
* R607	XX703350	R. CAR 1KΩ 1/5W	C00001026P520
* R609	XX703620	R. CAR. CHP 100Ω 1/10W	C200010160200
* R610	XX703440	R. CAR 22Ω 1/5W	C00002206P520
* R611	XX703960	R. CAR. CHP 5.6KΩ 1/10W	C200056260200
* R612	XX703350	R. CAR 1KΩ 1/5W	C00001026P520
* R613	XX704020	R. CAR. CHP 82KΩ 1/10W	C200082360200
* R615	XX703550	R. CAR 6.8KΩ 1/5W	C00006826P520
* R617	XX703640	R. CAR. CHP 10KΩ 1/10W	C200010360200
* R618	XX703810	R. CAR. CHP 270Ω 1/10W	C200027160200
* R621	XX703640	R. CAR. CHP 10KΩ 1/10W	C200010360200

* New Parts

Schm Ref.	PART NO.	Description	Remarks
* R622	XX703750	R. CAR. CHP 150KΩ 1/10W	C200015460200
* R623	XX703760	R. CAR. CHP 1.8KΩ 1/10W	C200018260200
* R624	XX703760	R. CAR. CHP 1.8KΩ 1/10W	C200018260200
* R627	XX703640	R. CAR. CHP 10KΩ 1/10W	C200010360200
* R628	XX703640	R. CAR. CHP 10KΩ 1/10W	C200010360200
* R629	XX703640	R. CAR. CHP 10KΩ 1/10W	C200010360200
* R632	XX703640	R. CAR. CHP 10KΩ 1/10W	C200010360200
* R635	XX703730	R. CAR. CHP 1.5KΩ 1/10W	C200015260200
* R636	XX703630	R. CAR. CHP 1KΩ 1/10W	C200010260200
* R637	XX703640	R. CAR. CHP 10KΩ 1/10W	C200010360200
* R639	XX703790	R. CAR. CHP 2.2KΩ 1/10W	C20002260200
* R648	XX703640	R. CAR. CHP 10KΩ 1/10W	C200010360200
* R650	XX703650	R. CAR. CHP 100KΩ 1/10W(BG)	C200010460200
* R651	XX703630	R. CAR. CHP 1KΩ 1/10W(BG)	C200010260200
* R652	XX703630	R. CAR. CHP 1KΩ 1/10W(BG)	C200010260200
* R653	XX703630	R. CAR. CHP 1KΩ 1/10W(BG)	C200010260200
* R655	XX703630	R. CAR. CHP 1KΩ 1/10W(BG)	C200010260200
* R657	XX703480	R. CAR 3.3KΩ 1/5W	C00003326P520
R660	HF455180	R. CAR 180Ω 1/4W(J)	C000018163520
* R661	XX703410	R. CAR 15KΩ 1/5W(J)	C00001536P520
* R662	XX703550	R. CAR 6.8KΩ 1/5W(J)	C00006826P520
* R664	XX703920	R. CAR. CHP 47Ω 1/10W(J)	C200047060200
* R667	XX703630	R. CAR. CHP 1KΩ 1/10W(J)	C200010260200
* R668	XX703630	R. CAR. CHP 1KΩ 1/10W(J)	C200010260200
* R671	XX703640	R. CAR. CHP 10KΩ 1/10W	C200010360200
* R683	XX703630	R. CAR. CHP 1KΩ 1/10W(J)	C200010260200
* R684	XX703630	R. CAR. CHP 1KΩ 1/10W(J)	C200010260200
* R686	XX703940	R. CAR. CHP 47KΩ 1/10W(J)	C200047360200
* R687	XX703940	R. CAR. CHP 47KΩ 1/10W(J)	C200047360200
* R688	XX703630	R. CAR. CHP 1KΩ 1/10W	C200010260200
* R699	XX703350	R. CAR 1KΩ 1/5W	C00001026P520
* R800	XX703620	R. CAR. CHP 100Ω 1/10W	C200010160200
* R801	XX703950	R. CAR. CHP 51KΩ 1/10W	C200051360200
* R802	XX703550	R. CAR 6.8KΩ 1/5W	C00006826P520
* R803	XX703340	R. CAR 100Ω 1/5W	C00001016P520
* R804	XX703340	R. CAR 100Ω 1/5W	C00001016P520
* R805	XX703970	R. CAR. CHP 56KΩ 1/10W	C200056360200
* R806	XX703800	R. CAR. CHP 22KΩ 1/10W	C200022360200
* R807	XX703770	R. CAR. CHP 18KΩ 1/10W	C200018360200
* R807	XX703830	R. CAR. CHP 27KΩ 1/10W	C200027360200
* R807	XX703910	R. CAR. CHP 39KΩ 1/10W	C200039360200
* R808	XX704000	R. CAR. CHP 68KΩ 1/10W	C200068360200
* R809	XX703740	R. CAR. CHP 15KΩ 1/10W	C200015360200
* R810	XX703730	R. CAR. CHP 1.5KΩ 1/10W	C200015260200
* R812	XX703880	R. CAR. CHP 33KΩ 1/10W	C200033360200
* R813	XX703630	R. CAR. CHP 1KΩ 1/10W	C200010260200
* R814	XX703970	R. CAR. CHP 56KΩ 1/10W	C200056360200
* R815	XX703910	R. CAR. CHP 39KΩ 1/10W	C200039360200
* R816	XX703990	R. CAR. CHP 6.8KΩ 1/10W	C200068260200
* R817	XX703840	R. CAR. CHP 270KΩ 1/10W	C200027460200
* R818	XX703840	R. CAR. CHP 270KΩ 1/10W	C200027460200
* R819	XX703420	R. CAR 150KΩ 1/5W	C00001546P520
* R820	XX703640	R. CAR. CHP 10KΩ 1/10W	C200010360200

* New Parts

Schm Ref.	PART NO.	Description	Remarks
* R821	XX703650	R. CAR. CHP 100KΩ 1/10W	C200010460200
* R821	XX704000	R. CAR. CHP 68KΩ 1/10W	C200068360200
* R823	XX703870	R. CAR. CHP 3.3KΩ 1/10W	C200033260200
* R825	XX703330	R. CAR 10Ω 1/5W	C00001006P520
R826	HF455220	R. CAR 220Ω 1/4W	C000022163520
* R830	XX703880	R. CAR. CHP 33KΩ 1/10W	C200033360200
* R832	XX703880	R. CAR. CHP 33KΩ 1/10W	C200033360200
* R834	XX703780	R. CAR. CHP 180KΩ 1/10W	C200018460200
* R835	XX703780	R. CAR. CHP 180KΩ 1/10W	C200018460200
* R838	XX703650	R. CAR. CHP 100KΩ 1/10W	C200010460200
* R841	XX703340	R. CAR 100Ω 1/5W	C00001016P520
* R841	XX703520	R. CAR 560Ω 1/5W	C00005616P520
* R842	XX703640	R. CAR. CHP 10KΩ 1/10W	C200010360200
* R843	XX703800	R. CAR. CHP 22KΩ 1/10W	C200022360200
* R844	XX703690	R. CAR. CHP 12KΩ 1/10W	C200012360200
* R844	XX703770	R. CAR. CHP 18KΩ 1/10W	C200018360200
* R846	XX703860	R. CAR. CHP 330Ω 1/10W	C200033160200
* R847	XX703690	R. CAR. CHP 12KΩ 1/10W	C200012360200
* R848	XX703700	R. CAR. CHP 120KΩ 1/10W	C200012460200
* R849	XX703680	R. CAR. CHP 1.2KΩ 1/10W	C200012260200
* R850	XX703880	R. CAR. CHP 33KΩ 1/10W	C200033360200
* R851	XX703980	R. CAR. CHP 680Ω 1/10W	C200068160200
R852	HF457100	R. CAR 10KΩ 1/4W	C000010363520
R853	HF457100	R. CAR 10KΩ 1/4W	C000010363520
R854	HF457100	R. CAR 10KΩ 1/4W	C000010363520
R855	HF457100	R. CAR 10KΩ 1/4W	C000010363520
* R856	XX703890	R. CAR. CHP 3.6KΩ 1/10W	C200036260200
* R857	XX703890	R. CAR. CHP 3.6KΩ 1/10W	C200036260200
* R858	XX703790	R. CAR. CHP 2.2KΩ 1/10W	C20002260200
* R859	XX703890	R. CAR. CHP 3.6KΩ 1/10W	C200036260200
* R860	XX703770	R. CAR. CHP 18KΩ 1/10W	C200018360200
* R861	XX703770	R. CAR. CHP 18KΩ 1/10W	C200018360200
* R862	XX703890	R. CAR. CHP 3.6KΩ 1/10W	C200036260200
* R864	XX703620	R. CAR. CHP 100Ω 1/10W	C200010160200
* R868	XX703770	R. CAR. CHP 18KΩ 1/10W	C200018360200
* R869	XX703770	R. CAR. CHP 18KΩ 1/10W	C200018360200
* R870	XX703630	R. CAR. CHP 1KΩ 1/10W	C200010260200
* R871	XX703630	R. CAR. CHP 1KΩ 1/10W	C200010260200
* R872	XX703710	R. CAR. CHP 1.3KΩ 1/10W	C200013260200
* R873	XX703710	R. CAR. CHP 1.3KΩ 1/10W	C200013260200
* R874	XX703690	R. CAR. CHP 12KΩ 1/10W	C200012360200
* R875	XX704000	R. CAR. CHP 68KΩ 1/10W	C200068360200
* R876	XX703820	R. CAR. CHP 2.7KΩ 1/10W	C200027260200
* R877	XX703820	R. CAR. CHP 2.7KΩ 1/10W	C200027260200
* R878	XX703470	R. CAR 330Ω 1/5W	C00003316P520
* R879	XX703470	R. CAR 330Ω 1/5W	C00003316P520
R880	HF456470	R. CAR 4.7KΩ 1/4W	C000047263520
* R881	XX703790	R. CAR. CHP 2.2KΩ 1/10W	C20002260200
* R882	XX704010	R. CAR. CHP 8.2KΩ 1/10W	C200082260200
* R883	XX703650	R. CAR. CHP 100KΩ 1/10W	C200010460200
* R888	XX703340	R. CAR 100Ω 1/5W	C00001016P520
* R889	XX703830	R. CAR. CHP 27KΩ 1/10W	C200027360200
* R891	XX703930	R. CAR. CHP 4.7KΩ 1/10W	C200047260200

* New Parts

Schm Ref.	PART NO.	Description	Remarks
R892	HL314100	R. MTL. OXD 10Ω 1W	C040010065050
R893	HL314100	R. MTL. OXD 10Ω 1W	C040010065050
* R894	XX703660	R. CAR. CHP 1MΩ 1/10W	C200010560200
* R900	XX703640	R. CAR. CHP 10KΩ 1/10W	C200010360200
* RY501	XX705260	RELAY DG12D2-OS(M)/SPEAK	G680000130010
* SW401	XX705130	SW. TACT EVQ-21505K-5MM/160	G180215050010
* SW402	XX705130	SW. TACT EVQ-21505K-5MM/160	G180215050010
* SW403	XX705130	SW. TACT EVQ-21505K-5MM/160	G180215050010
* SW404	XX705130	SW. TACT EVQ-21505K-5MM/160	G180215050010
* SW405	XX705130	SW. TACT EVQ-21505K-5MM/160	G180215050010
* SW406	XX705130	SW. TACT EVQ-21505K-5MM/160	G180215050010
* SW407	XX705130	SW. TACT EVQ-21505K-5MM/160	G180215050010
* SW408	XX705130	SW. TACT EVQ-21505K-5MM/160	G180215050010
* SW409	XX705130	SW. TACT EVQ-21505K-5MM/160	G180215050010
* SW421	XX705130	SW. TACT EVQ-21505K-5MM/160	G180215050010
* SW422	XX705130	SW. TACT EVQ-21505K-5MM/160	G180215050010
* SW423	XX705130	SW. TACT EVQ-21505K-5MM/160	G180215050010
* SW425	XX705130	SW. TACT EVQ-21505K-5MM/160	G180215050010
* SW426	XX705130	SW. TACT EVQ-21505K-5MM/160	G180215050010
* SW427	XX705130	SW. TACT EVQ-21505K-5MM/160	G180215050010
△ SW501	XX705110	SW. SLIDE JVS1221A(R)	G060122100010
* T601	XX704870	COIL. MW. IF KSNT-104I	D950102000010
* T610	XX704860	COIL. OS KSNT-208M	D940208000010
* T621	XX704820	COIL. TRAP MPX FILTER 01011-1	D302010111020
* T622	XX704820	COIL. TRAP MPX FILTER 01011-1	D302010111020
* TP601	XX705010	TUNER. FM KCF213V-3GANG(UCLR)	E900213000010
* TP601	XX705020	TUNER. FM KCF213JV(J)	E900213000020
* TP601	XX705030	TUNER. FM KCF214V-4GANG(ABG)	E900214000010
* VR401	XX705120	SW. RT. ENC EVQ-VEFFK112B(ENCO)	G120121100010
* VR620	XX704030	VR. TRIM 10KB-6.3H3P, 0.1W-5	C544103015130
* W401	XX703220	CN. RING 1P 170mm	8410171240010
* W500	XX703200	CN. RING 100mm	8410000480010
* W500	XX703210	CN. RING 1P 100mm	8410101240030
* W601	XX703210	CN. RING 1P 100mm	8410101240030
* W801	XX702930	CLAMP HMX9800 2*40/WIRE	4330000120000
* X401	XX704950	RSNR. CRYST 32.768KHz, CFS308-C	E80032R768050
* X402	XX705000	RSNR. CE CSA6.00MGU-2PIN	E8306R0000010
* X631	XX704970	RSNR. CRYST 7.2MHz, 20PPM-CL;20	E8007R2000010
* X651	XX704960	RSNR. CRYST 4.332MHz, HC49U-CL;	E8004R3320020
* X661	XX704980	RSNR. CE CSA3.60MGF108(J)	E8303R6000020
* X801	XX704940	RSNR. CRYST 16.9344MHz, HC49U-C	E80016R934010
ZD401	VG437400	DIODE. ZENR MTZJ5.1B 5.1V	K06005R144520
ZD501	VG443300	DIODE. ZENR MTZJ30B 30V	K06030R044520
* ZD501	XX705720	DIODE. ZENR MTZJ33B-0.5W/5MA	K06033R044520
ZD502	VG438900	DIODE. ZENR MTZJ8.2B 8.2V	K06008R244520
ZD610	VG437400	DIODE. ZENR MTZJ5.1B 5.1V(BG)	K06005R144520
ZD801	VG438600	DIODE. ZENR MTZJ7.5B 7.5V	K06007R544520
ZD802	iF010740	DIODE. ZENR MTZ6.2B 6.2V	K06006R214520
ZD802	VG438000	DIODE. ZENR MTZJ6.2B 6.2V	K06006R244520
ZD804	VG438300	DIODE. ZENR MTZJ6.8B 6.8V	K06006R844520
*	XX702920	HOLDER	4320200021010
*	XX702960	PLATE. GND	4470005246020
*	XX703240	SCR 2.6x8 B-TYPE CR/BH	B020026087B10

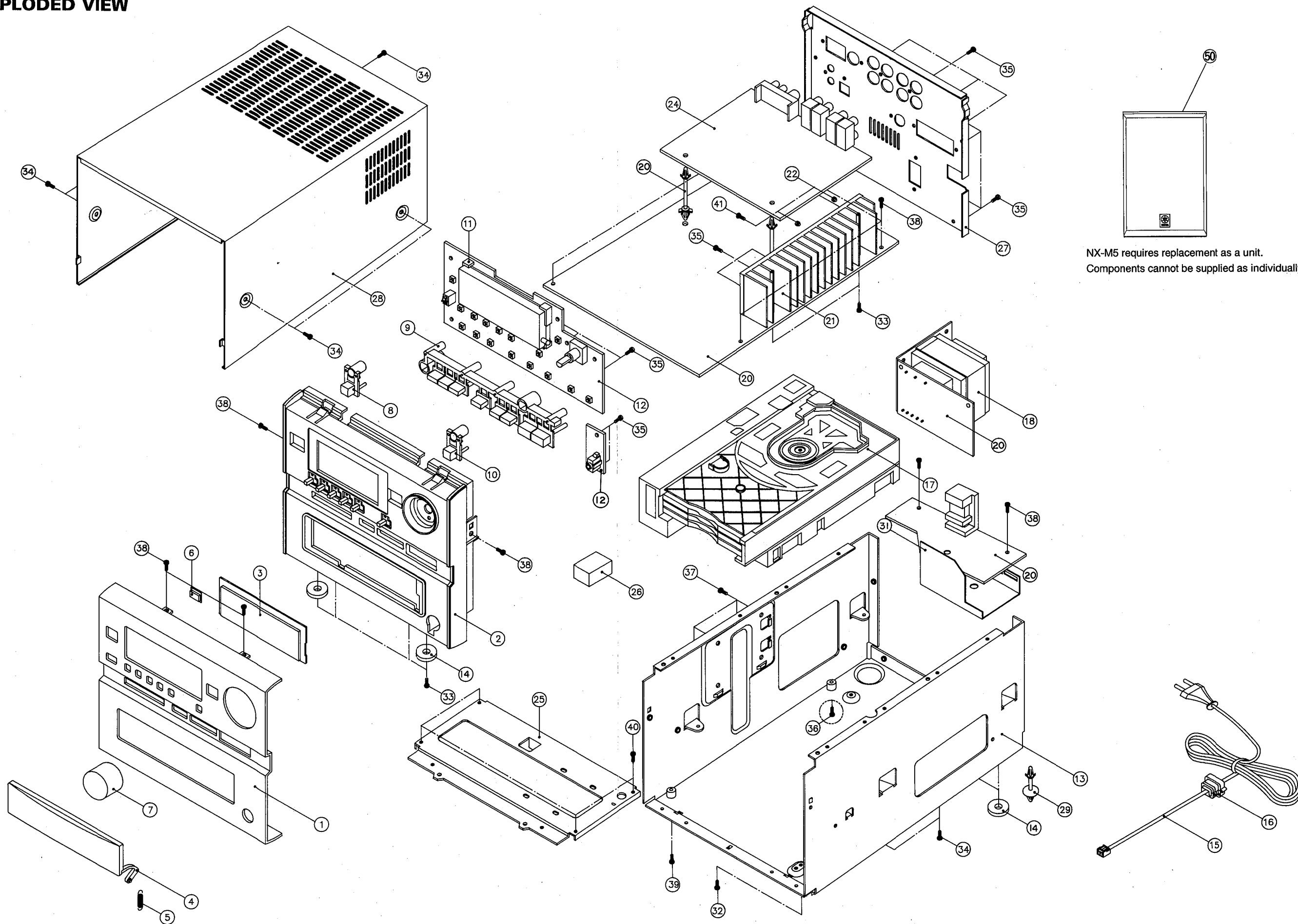
* New Parts

Schm Ref.	PART NO.	Description	Remarks
*	XX703250	SCR 2.6x14 B-TYPE CR/BH	B020026147B10
*	XX703280	SCR 3x6 B-TYPE CR/BH	B020030067B10
*	XX703290	SCR 3x8 B-TYPE BK/BH	B020030083B10
*	XX702840	TERM	3790000120000
*	XX705900	CORD KP10W, SPT2 2/18AWG	L068000000050
*	XX705910	CORD KP8E 0.75mm(R)	L068000000060
*	XX705920	CORD KP235 1.25mm(J)	L068000000070
*	XX705890	CORD KP610-13A/(B)	L068000000040
*	XX706080	CN. FLAT 16P 160mm(J)	L301161160020
*	XX706090	CN. FLAT 16P 460mm	L301461160010
*	XX702940	CLAMP CABLE TIE	43300040343010

* New Parts

CRX-M5

■ EXPLODED VIEW



NX-M5 requires replacement as a unit.
Components cannot be supplied as individually.

1
2
3
4
5
6

45

46

MECHANICAL PARTS

Ref. No.	PART NO.	Description	Remarks	Markets
* 1	XX702730	FRONT PANEL	3067021138020	(UCRAL)
* 1	XX702740	FRONT PANEL	3067021138030	(BG)
* 2	XX702750	INNER PANEL	3067021161010	
* 3	XX703000	WINDOW	5077020593010	
* 4	XX702980	DOOR	5047020301010	
* 5	XX702830	SPRING	3720020246010	
* 6	XX702990	WINDOW	5070020603010	
* 7	XX703020	KNOB ASSY	5088021248010	
* 8	XX703030	BUTTON	5097021731010	
* 9	XX703040	BUTTON	5097021741010	
* 10	XX703030	BUTTON	5097021731010	
* 11	XX702910	HOLDER	4320020641010	
* 12	XX703120	P. C. B ASSY	7025021920010	
* 13	XX710460	CHASSIS	3200020556010	
* 14	XX702860	CUSHION	4050020149020	
△ * 15	XX705830	CORD, AC	L061000290010	(B)
△ * 15	XX705840	CORD, AC	L061000330020	(A)
△ * 15	XX705850	CORD, AC	L△061000410010	(GL)
△ * 15	XX705860	CORD, AC	L061001020010	(UC)
△ * 15	XX705870	CORD, AC	L061001030010	(R)
* 16	XX702950	CORD STOPPER	4380000180000	
* 17	XX703130	MECHA	8030620000010	
△ * 18	XX703140	POWER TRANSFORMER	8200660008010	(BGRL)
△ * 18	XX703160	POWER TRANSFORMER	8200660008040	(UC)
△ * 18	XX703170	POWER TRANSFORMER	8200660008050	(A)
* 20	XX703050	P. C. B TOTAL ASSY	7025021110070	(UC)
* 20	XX703060	P. C. B TOTAL ASSY	7025021110080	(G)
* 20	XX703070	P. C. B TOTAL ASSY	7025021110090	(B)
* 20	XX703080	P. C. B TOTAL ASSY	7025021110100	(R)
* 20	XX703090	P. C. B TOTAL ASSY	7025021110110	(A)
* 20	XX703100	P. C. B TOTAL ASSY	7025021110120	(L)
* 21	XX702700	HEAT SINK	2120020228010	
* 22	XX702900	SPACER	4300000423010	
* 23	XX702880	SUPPORTER	4070001643010	
* 25	XX702850	BRACKET	4010021116010	
* 26	XX702870	CUSHION	4050020419010	
* 27	XX702770	CHASSIS	3207020786020	(UC)
* 27	XX702780	CHASSIS	3207020796010	(A)
* 27	XX702790	CHASSIS	3207020796020	(B)
* 27	XX702800	CHASSIS	3207020806010	(G)
* 27	XX702810	CHASSIS	3207020806020	(L)
* 27	XX702820	CHASSIS	3207020816010	(R)
* 28	XX702710	CABINET	3000200036010	
* 29	XX702890	SUPPORTER	4070200003010	
* 31	XX702970	SHIELD PLATE	4470020552010	
* 32	XX702670	SCREW	1500126087P10	
* 33	XX702690	SCREW	1500130057B10	
* 34	XX703300	SCREW, TAP TITE	B020030087B10	
* 35	Ei330086	BIND HEAD B-TITE SCREW	40000337	
* 36	XX703310	SCREW, TAP TITE	B020030147B10	
* 37	XX703320	SCREW, TAP TITE ASSY	B028940081B10	
* 38	XX703270	SCREW, TAP TITE	B020030061B10	
* 39	XX702680	SCREW	1500126147P10	

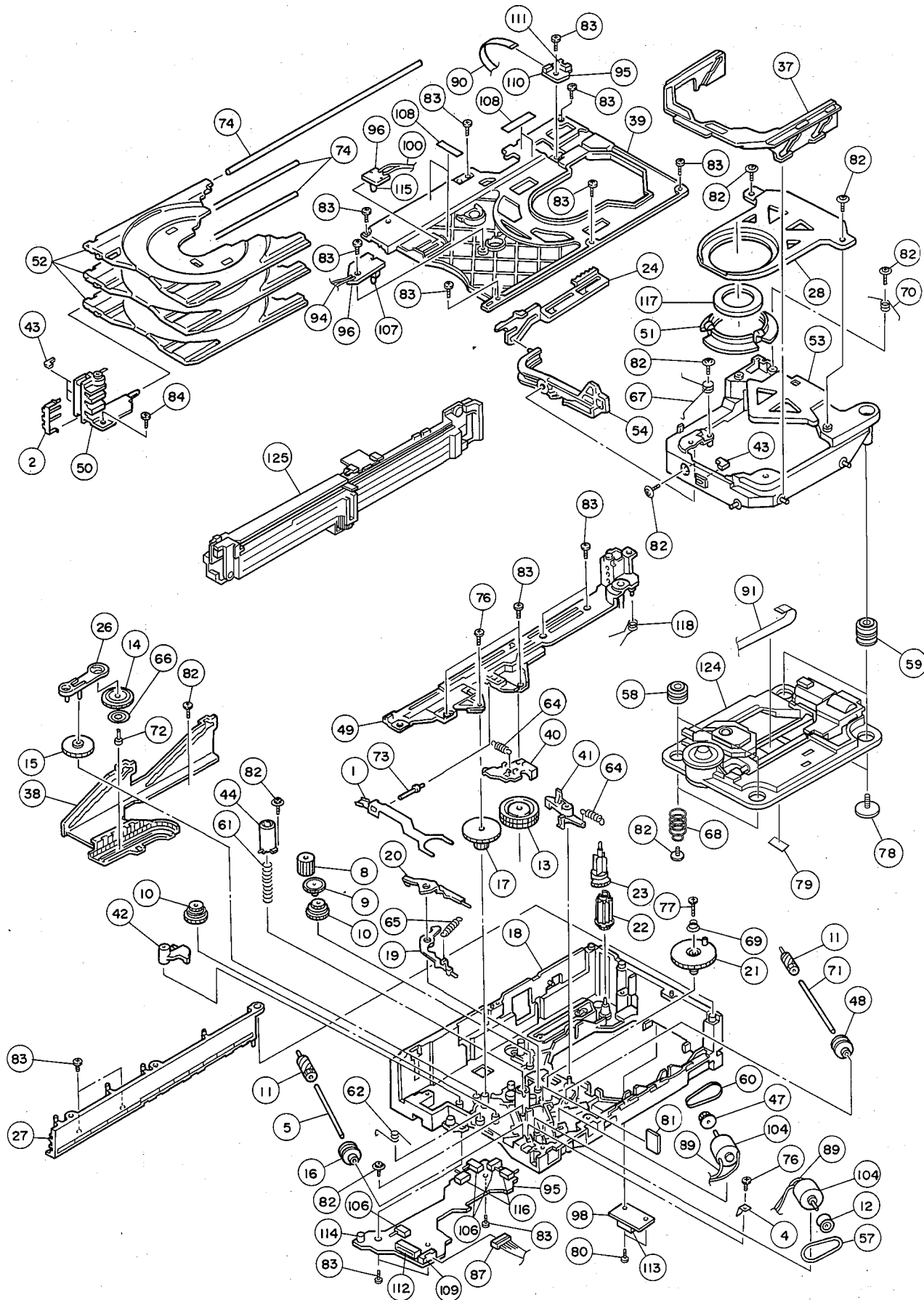
* New Parts

Ref. No.	PART NO.	Description	Remarks	Markets
* 40	XX703260	SCREW, TAP TITE	3x5 B-TYPE BK/FH	B020030053F10
* 41	XX703230	SCREW, TAPPING ASSY	3x14 P+S-WASHER ZN	B018230141H10
* 50	XX705060	SPEAKER	NX-M5	F000001130020
* 50	XX705070	SPEAKER	NX-M5	F000001130030
* 50	XX705080	SPEAKER	NX-M5	F000001130040
		ACCSSORIES		
* 40	XX703180	REMOTE CONTROL TRANSMITTER		8300000310060
* 40	XX703190	REMOTE CONTROL TRANSMITTER		8300000310070
* 40	XX704920	ANTENNA, AM LOOP	AM WITH LUG	E601000060000
* 40	XX704930	ANTENNA, WIRE	FM 1P 1500mm	E605000030000
		BATTERY, DRY	RO3NE (1.5V) -AAA	

* New Parts

CRX-M5

1 ■ EXPLODED VIEW (CD Mechanism Unit)



1 ■ MECHANICAL PARTS (CD Mechanism Unit)

Ref. No.	PART NO.	Description	Remarks	Markets
*	XX703130	MECHA	MGC-E6202/CD	MGC6202
* 1	XX709270	LEVER	GUIDE	E6C1001
* 2	XX709280	FLAT SPRING		E6D1002
* 4	XX709300	FLAT SPRING	WORM	E6D1006
* 5	XX709310	SHAFT	WORM-C	E6D2002
* 8	XX709340	GEAR	LOAD-B	E6D3002
* 9	XX709350	GEAR	IDLER	E6D3003
* 10	XX709360	GEAR	HELICAL	E6D3004
* 11	XX709370	GEAR	WORM	E6D3005
* 12	XX709380	PULEY	MOTOR-A	E6D3006
* 13	XX709390	GEAR	IDLER-B	E6D3007
* 14	XX709400	GEAR	FRICTION	E6D3008
* 15	XX709410	GEAR	CENTER-A	E6D3009
* 16	XX709420	PULEY	MOTOR	C3D3009
* 17	XX709430	GEAR	CENTER-B	E6D3010
* 18	XX709440	CHASSIS	MAIN	E6A3011
* 19	XX709450	LEVER	SW5	E6D3012
* 20	XX709460	LEVER	SW6	E6D3013
* 21	XX709470	CAM	TU	E6C3014
* 22	XX709480	GEAR	TU	E6D3015
* 23	XX709490	GEAR	ZENEBA	E6D3016
* 24	XX709500	SLIDER	CLAMP	E6C3017
* 26	XX709520	ARM	FRICTION	E6D3019
* 27	XX709530	SUB CHASSIS	R	E6B3020
* 28	XX709540	HOLDER	CLAMPER	E6C3022
* 37	XX709630	SLIDER	TU	E6B3031
* 38	XX709640	SLIDER	LIFT-L	E6B3032
* 39	XX709650	HOLDER	TOP	E6A3033
* 40	XX709660	SLIDER	SW-8	E6D3035
* 41	XX709670	LEVER	SW4	E6C3036
* 42	XX709680	LEVER	SW-7	E6D3037
* 43	XX709690	ARM	TRAY LOCK	E6D3040
* 44	XX709700	GUIDE	DISC	E6D3042
* 47	XX709730	PULLEY, MOTOR	TIMING	E6D3058
* 48	XX709740	PULEY	TIMING	E6D3059
* 49	XX709750	SUB CHASSIS	L	E6B3038
* 50	XX709760	HOLDER	SHAFT	E6C3039
* 51	XX709770	CLAMPER		E6C3041
* 52	XX709780	TRAY		E6B3043
* 53	XX709790	FRAME	TU-B	E6B3046
* 54	XX709800	LEVER	CLAMPER-B	E6C3047
* 57	XX709830	BELT	LIFT	E6D4003
* 58	XX709840	INSULATOR		C3D4003
* 59	XX709850	INSULATOR		E6D4004
* 60	XX709860	BELT	TIMING	E6D4005
* 61	XX709870	COMPRESSION SPRING	GUIDE	E6D6001
* 62	XX709880	TORSION SPRING	LOCK	E6D6002
* 64	XX709890	EXTENSION SPRING	SWITCH	E6D6004
* 65	XX709900	EXTENSION SPRING	CAM	E6D6005
* 66	XX709910	COMPRESSION SPRING	FRICTION	E6D6006
* 67	XX709920	TORSION SPRING	ASSIST-B	E6D6010
* 68	XX709930	COMPRESSION SPRING	TU-C	E6D6011
* 69	XX709940	COMPRESSION SPRING	CAM	E6D6012

*New Parts

Ref. No.	PART NO.	Description	Remarks	Markets
* 70	XX709950	TORSION SPRING	ASSIST-C	E6D6015
* 71	XX709960	SHAFT	WORM-A	E6D8001
* 72	XX709970	SHAFT	FRICTION	E6D8003
* 73	XX709980	SHAFT	LEVER	E6D8004
* 74	XX709990	SHAFT	TRAY	E6D8005
* 76	XX710010	SCREW	SUB-L	E6D8011
* 77	XX710020	SCREW	A3	E6D8014
* 78	XX710030	SCREW	B	E1D8002
* 79	XX710040	SOFT TAPE		E1D8003
* 81	XX710060	CUSHION		E1D8007
* 82	XX710070	SCREW	A2	E1D8012
83	XX710080	BIND HEAD TAPPING SCREW	2.6x8	8114512608
* 84	XX710090	BIND HEAD TAPPING SCREW	2.6x8 BL	8114522608
* 87	XX710120	WIRING HARNESS	TU	E6D9003
* 90	XX710150	CONNECTOR, FLAT CABLE	4P	E6D9006
* 91	XX710160	CONNECTOR, FLAT CABLE	16P	E6C9011
* 94	XX710190	WIRING HARNESS	JAM	E6D9018
* 95	XX710200	P. C. B. ASS'Y	MAIN-B	E6B9021
* 96	XX710210	P. C. B. ASS'Y	SUB-B	E6B9022
* 98	XX710230	P. C. B. ASS'Y	TU-B	E6B9030
* 100	XX710250	WIRING HARNESS	LED-C	E6D9032
* 104	XX710290	MOTOR	MM05B	91542142
* 109	XX710330	CONNECTOR, BASE PIN	S6B-PH	99054172
* 110	XX710340	CONNECTOR, BASE PIN	04FM-1.0ST	99054177
* 111	XX710350	CONNECTOR, BASE PIN	S4B-PH-K-S	99054179
* 112	XX710360	CONNECTOR, BASE PIN	16FE-ST	99054180
* 113	XX710370	CONNECTOR, BASE PIN	IMSA-9610S-16B	99415183
* 114	XX710380	PHOTO TRANSISTOR	RPT-38PT3F	99518074
* 115	XX710390	LED	SIR-33ST3	99518207
* 116	XX710400	SWITCH	SPPB62	S401139
117	XX710410	MAGNET		T990544
* 118	XX710420	TORSION SPRING	ZENEBA-B	E6D6017
* 119	UG444100	CERAMIC CAP	0.01uF 50V	CK45F1H103Z
* 120	XX711040	TUBE		E6D9020
* 124	AAX01030	TU ASS'Y		E6C9039
* 125	AAX01040	HOLDER ASS'Y	LOAD	E6A3060

* New Parts

REMOVAL PROCEDURE OF CD MECHANISM UNIT (Remove parts in the order as numbered.)

1. Removal of Holder / Top

- a. Remove 6 screws (①) in Fig. 1.
- b. Remove the fixing tape in Fig. 1.
- c. Disconnect the Flat Connecting Cable (4P) in Fig. 1.
- d. Lift the right side of the Holder / Top and remove it as shown in Fig. 2.

When the Holder / Top comes off the chassis, its claw makes a clicking sound.

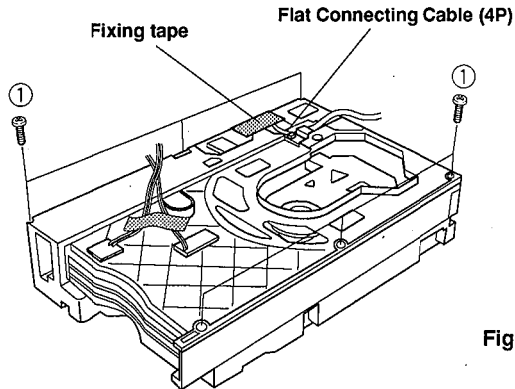


Fig. 1

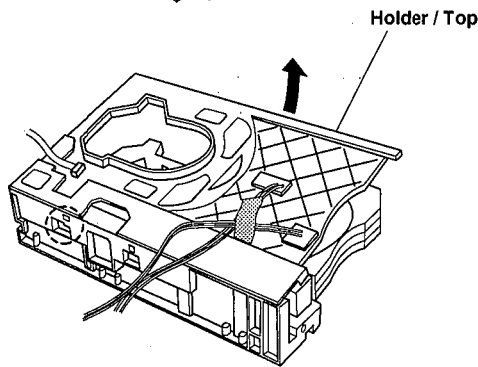


Fig. 2

2. Removal of Tray

- a. Remove 1 screw (②) in Fig. 3.
- b. Lift the Holder / Shaft a little and remove it forward as shown in Fig. 3.
- c. Pull the Shaft / Tray forward a little and remove Tray 1. Repeat the same to remove Tray 2 and Tray 3.

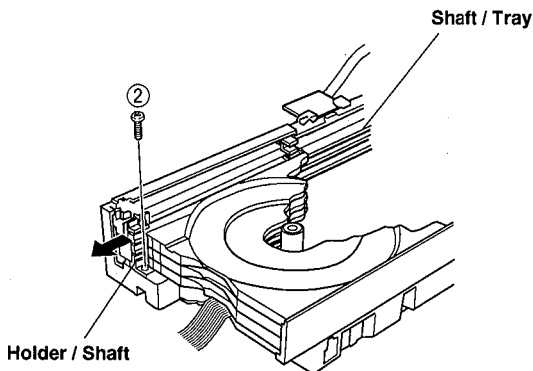


Fig. 3

3. Removal of Holder / Load Assembly

- a. Using both hands, remove the Holder / Load Assembly by applying force in the arrow directions (up / down) at its front and rear ends as shown in Fig. 4. The boss of the Holder / Load Assembly makes a clicking sound when it comes off the Slider / Lift-L.

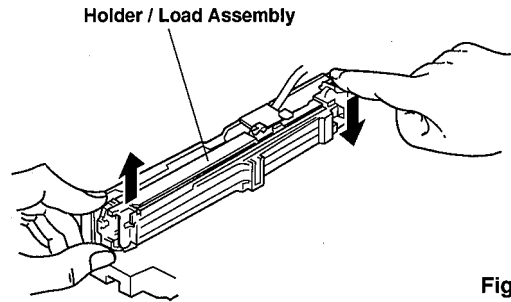


Fig. 4

4. Removal of Traverse Unit

- a. Disconnect the Flat Connecting Cable (16P) and the Connector (6P) from the Traverse Unit.
- b. Remove 4 screws (③) and 1 screw (④) and then remove the Sub-chassis / L in Fig. 5.
- c. Remove 2 screws (⑤) and then remove the Sub-chassis / R in Fig. 5.
- d. Remove the Slider / TU from the Main Chassis as shown in Fig. 5.
- e. Remove the Traverse Unit (including the Frame / TU-B) from the Main Chassis.

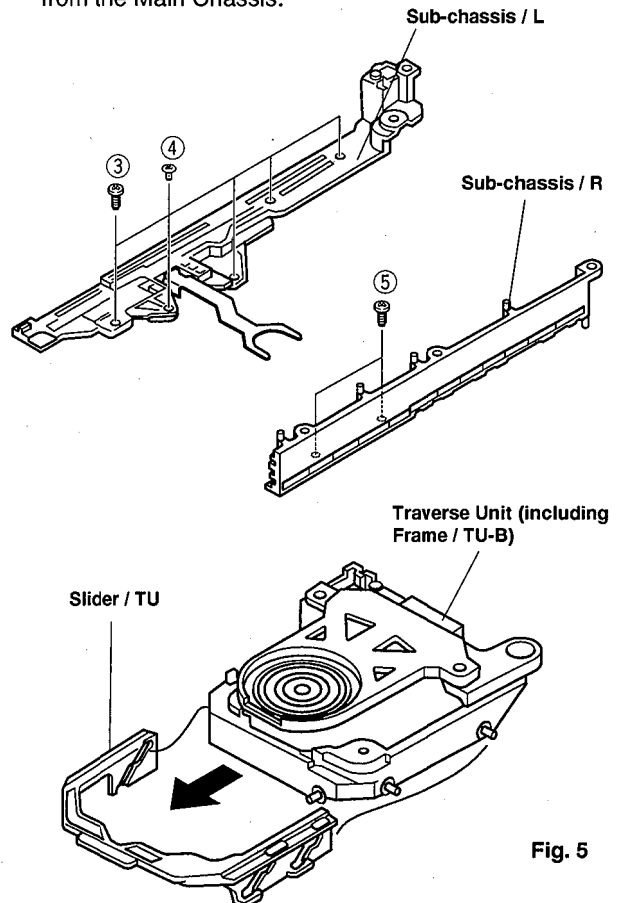


Fig. 5

● Precautions for Assembly of CD Mechanism Unit

1. Installation and positioning of Traverse Unit (including Frame / TU-B)

- Turn the Gear / ZENEBA counterclockwise until its fan-shaped gear comes in contact with the Main Chassis as shown in Fig. A.
- Fit the Gear / TU so that its cam is positioned as shown in Fig. A.
- Install the Traverse Unit so that the first corrugation of the Slide Gear (Slider / Clamp) is engaged with the Gear / TU. (Then the Traverse Unit gets unclamped.)

* The Traverse Unit is clamped and unclamped by the combined function of the Gear / ZENEBA, Gear / TU and Slide Gear (Slider / Clamp). Therefore, if the Gear / ZENEBA and the Slide / Gear are out of position, the mechanism will not function properly.

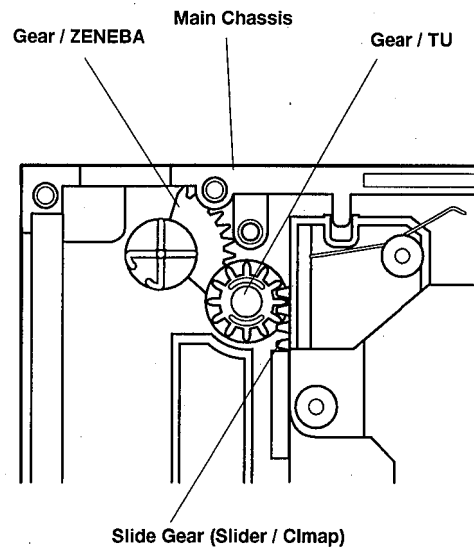


Fig. A

2. Installation and positioning of Slider / TU

- Turn the Cam / TU until its boss comes to the position as shown in Fig. B.
 - Install the Slider / TU so that the boss of the Cam / TU fits in its groove as shown in Fig. B.
- * Unless the Slider / TU is installed properly, the Traverse Unit will not lift as a whole.

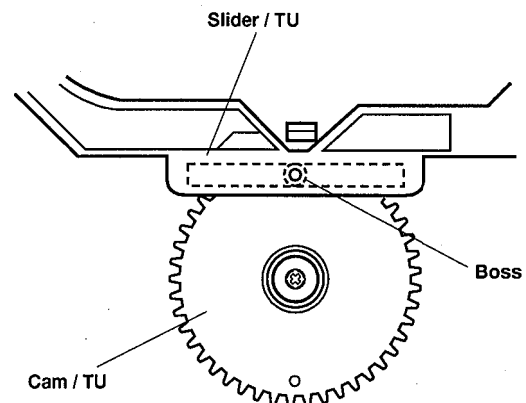


Fig. B

3. Installation and positioning of Holder / Load Assembly and Tray

- Install the Holder / Load Assembly to the Main Chassis so that its black slider claw comes on top of the white slider claw (at the center) as shown in Fig. C.
- Install the Trays 1, 2 and 3 so that the black/white slider claws are fitted in the claw holder of the tray as shown in Fig. C.

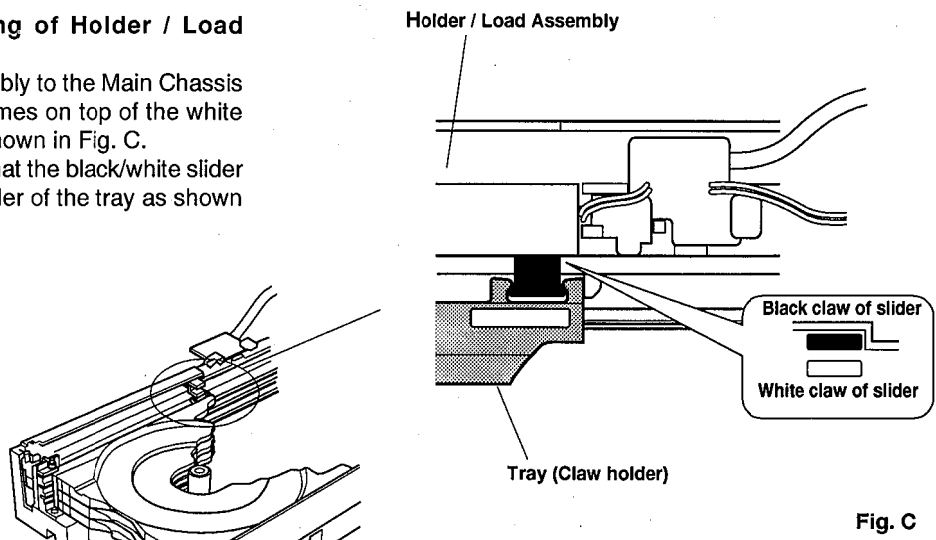


Fig. C

● Function of Switch

SW1 : To detect opening (by the slider open claw)

SW2 : To detect closing (by the slider open claw)
To detect unloading (by the slider load claw)
Home position when the slider claws are at the center.

SW3 : To detect loading (by the slider load claw)

SW4 : To detect unclamping (OFF when clamped)

SW5 : To detect height of the Traverse Unit

SW6 : To detect height of the Traverse Unit
(3 levels are detected by combination of ON and OFF of SW5 and SW6)

	Lower	Mid	Upper
SW5	ON	ON	OFF
SW6	OFF	ON	ON

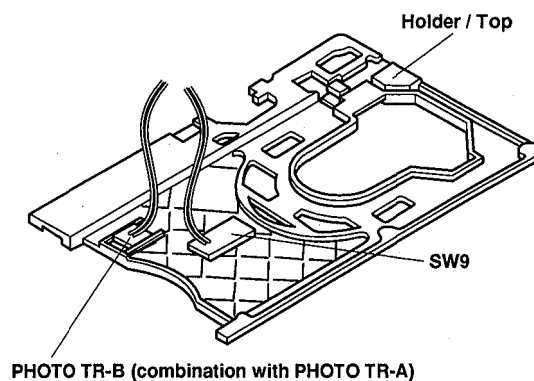
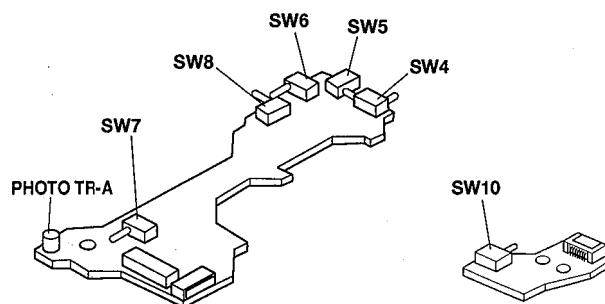
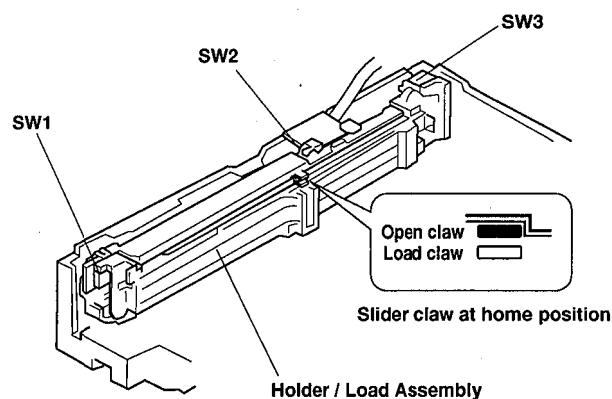
SW 7 : To detect the home position of the Holder /Load Assembly

SW8 : To detect height of the Holder / Load Assembly
(6 levels other than the home position)

PHOTO TR : To detect presence/absence of the disc immediately when the disc tray is closed.

SW9 : To detect jamming in the Mechanism Unit
(by the disc position when the tray is at the standby position)

SW10 : Start limit switch (to detect the pickup at the innermost track)



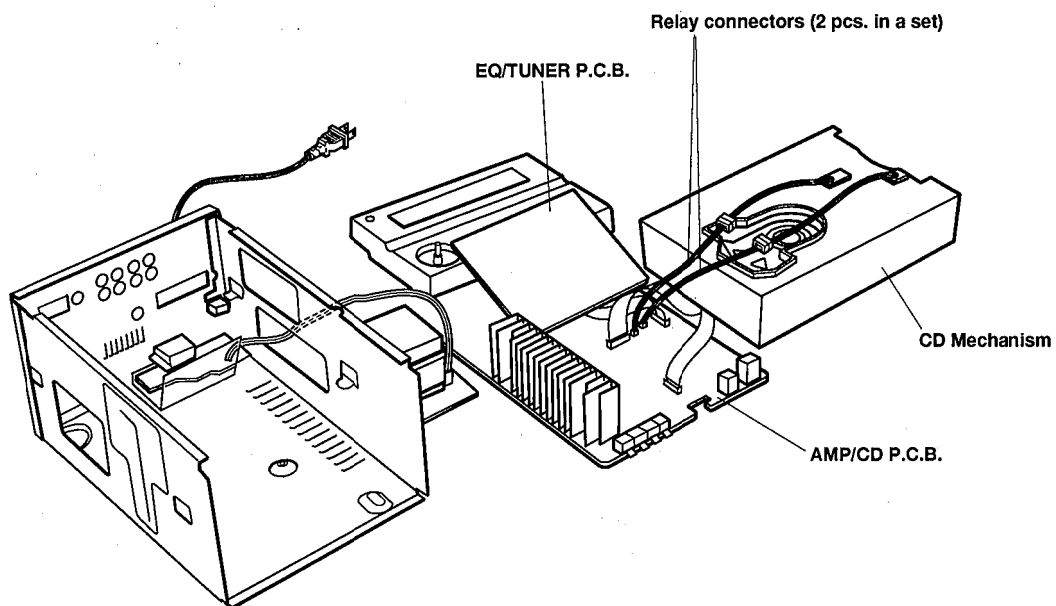
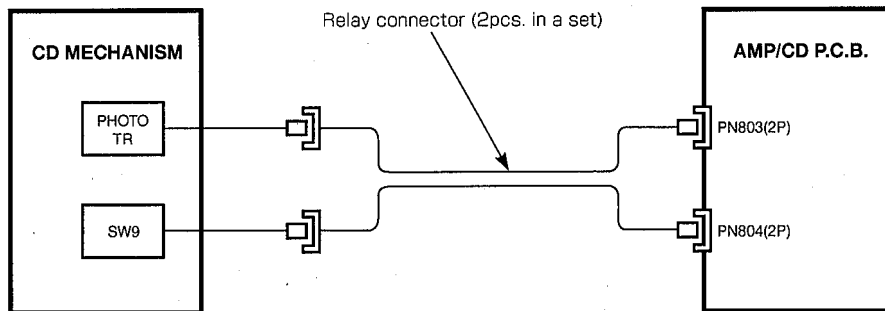
● Position of each unit when the Holder/ Load Assembly is at the home position

1. Tray : All 3 trays are at the standby position
2. Holder / Load Assembly : Top level (7th level)
Slider claw : both Open and Close claws are at the center position
3. Traverse unit : Top level (the same height as Tray 3)
Unclamped state

● Operation check of CRX-M5 (when repairing)

In order to check the CRX-M5 for operation, the relay connector set (2 pcs. in a set) is required. Connect the cables as shown below.

Relay connector (2 pcs. in a set) : AAX00020



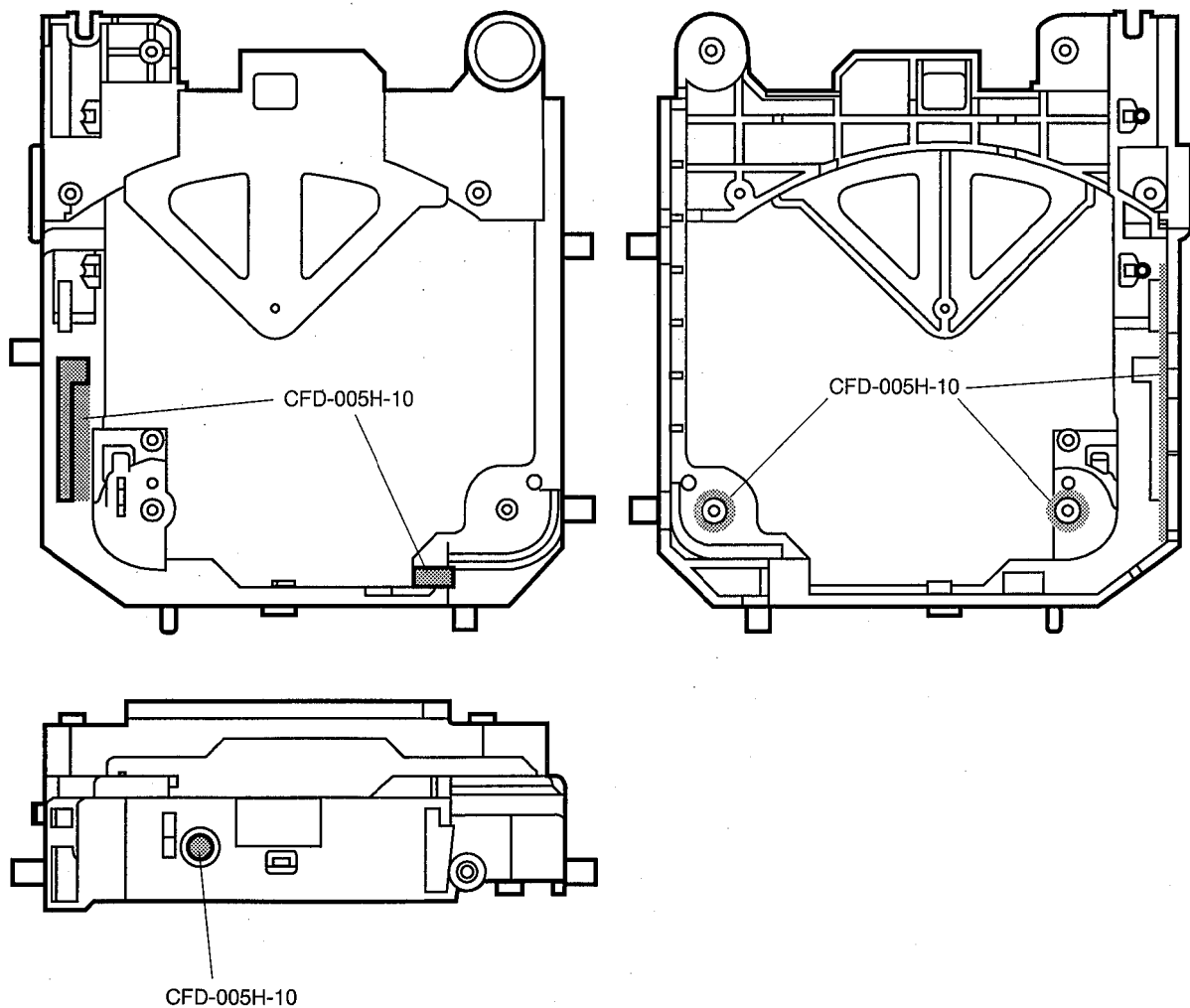
GREASE APPLICATION DIAGRAM (CD Mechanism)

● Grease to be supplied

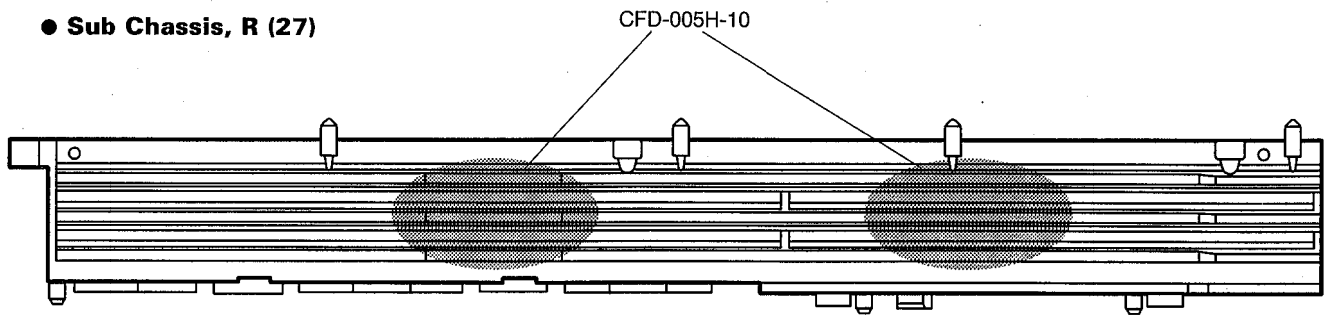
The same grease as that originally used is not available but a substitutive grease is supplied instead. When using this grease, however, make sure to wipe off the existing grease thoroughly before applying the new one.

Grease originally used	Grease to be supplied	
CFD-005H-10	CFD-005H-10	P/NO. TX946340
MEN-125F	E-PASETE	P/NO. TX913420
FG-87H	E-PASETE	P/NO. TX913420

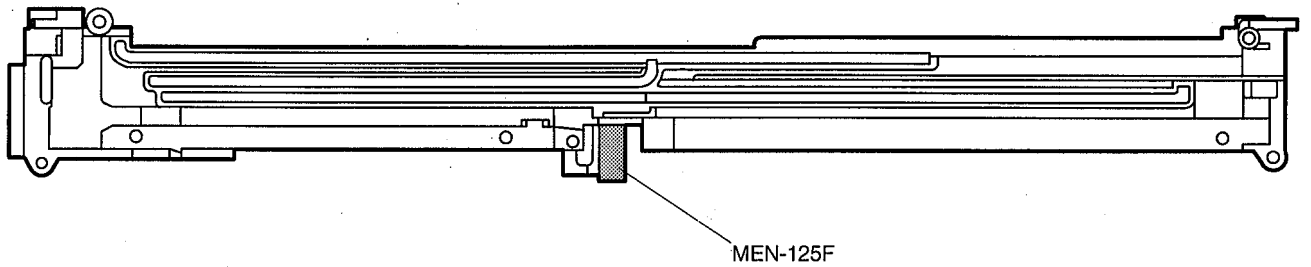
● Frame, TU-B (53)



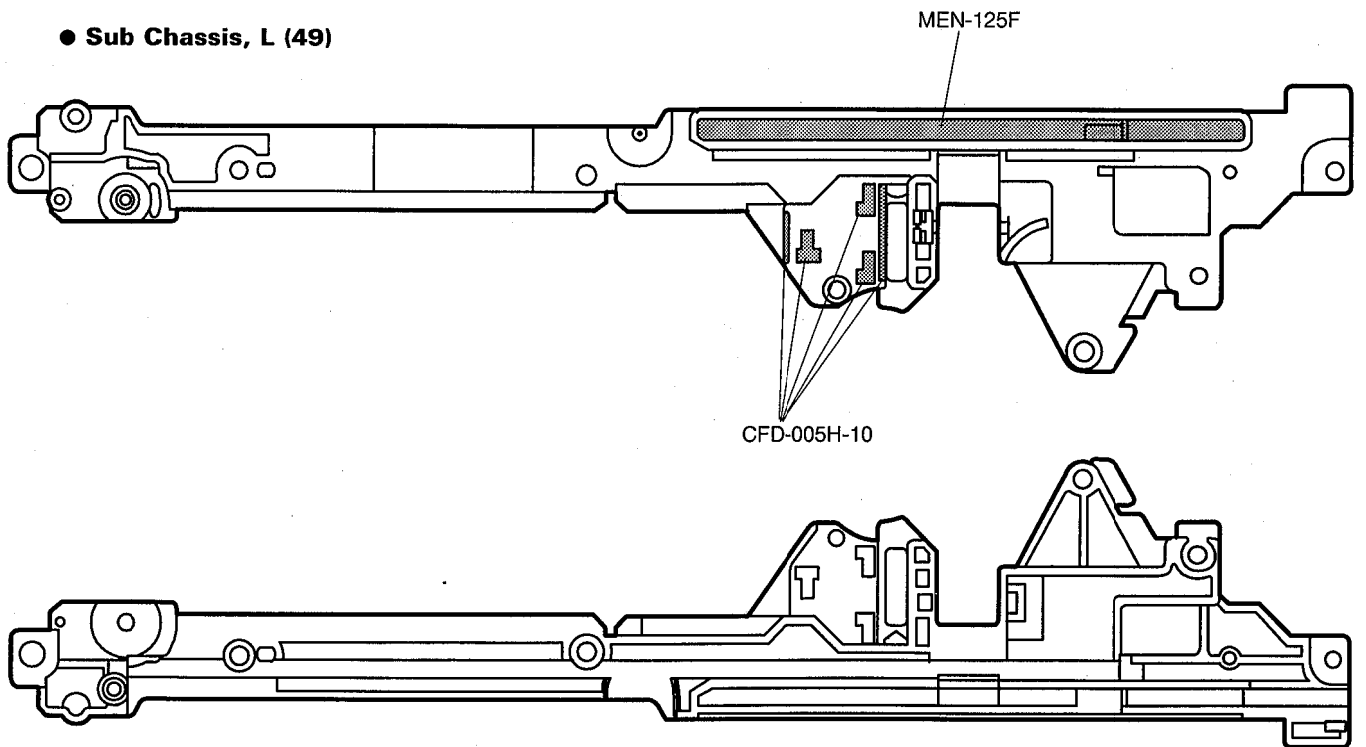
● Sub Chassis, R (27)



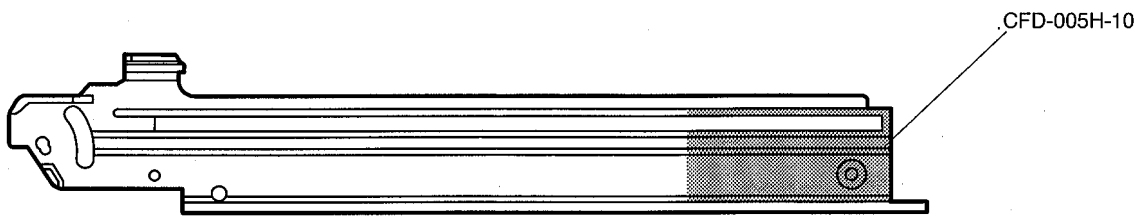
● Holder, Load-A



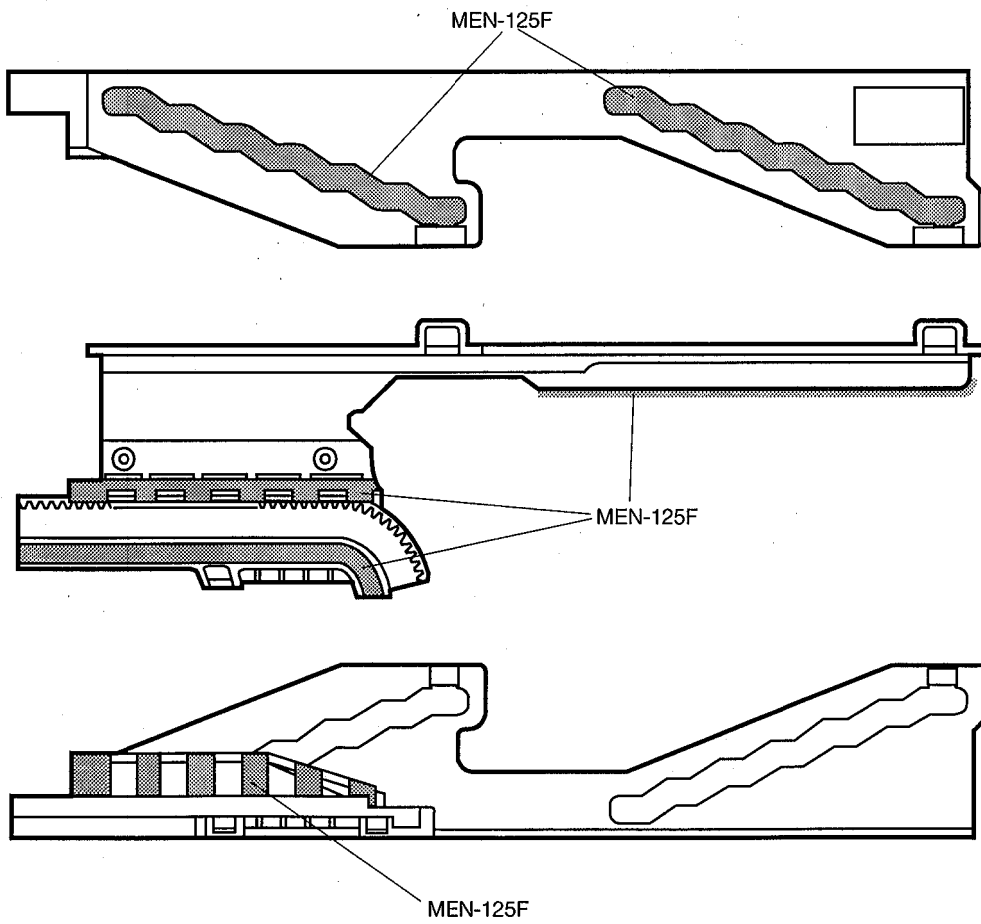
● Sub Chassis, L (49)



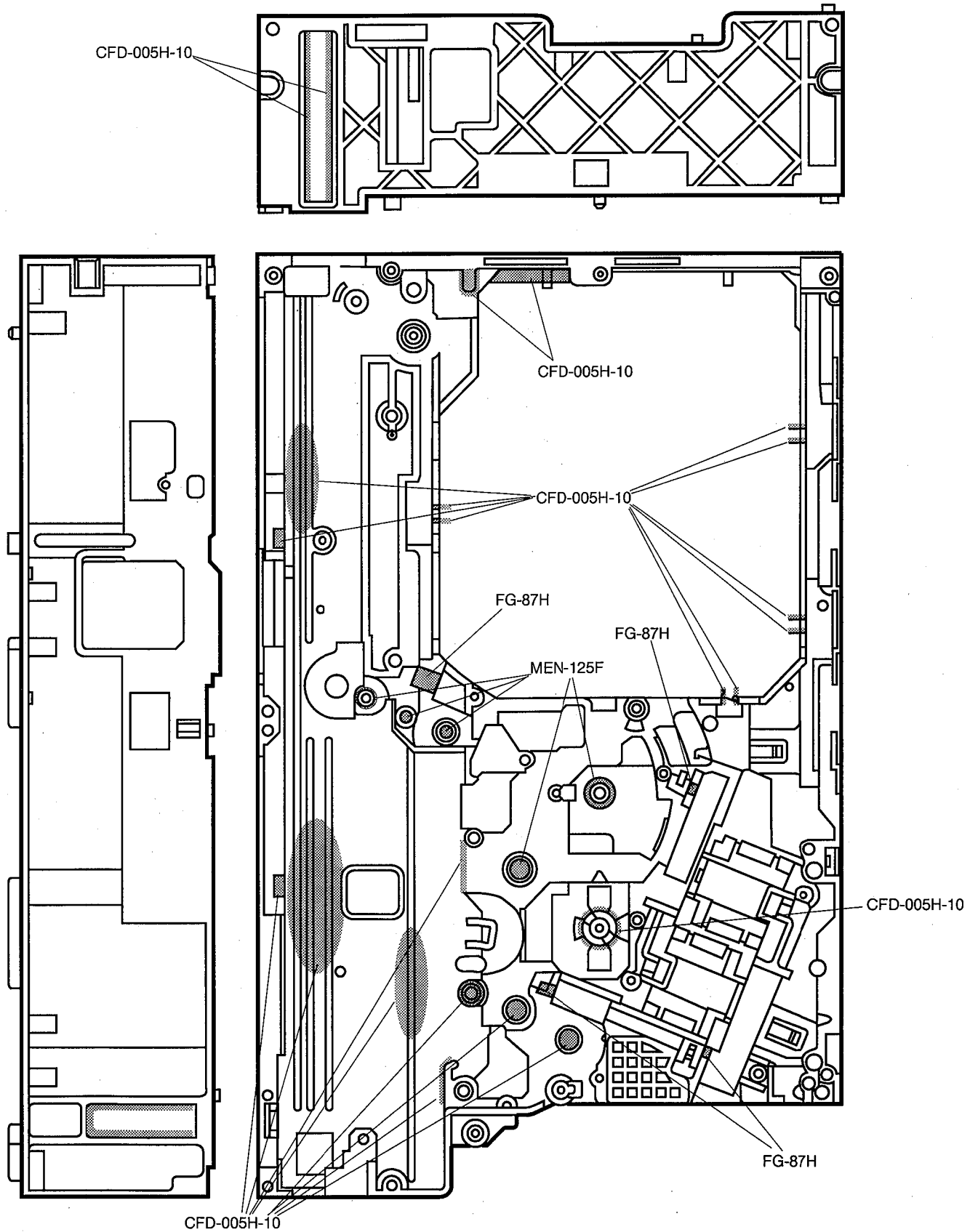
● Slider, Open



● Slider, Lift-L (38)

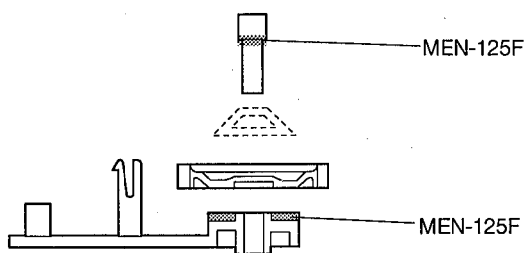


● Chassis, Main (18)

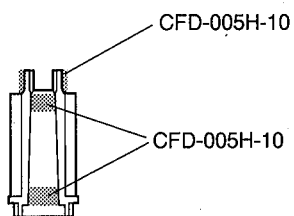


CRX-M5

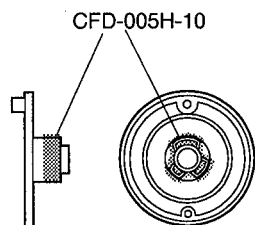
● Arm, Friction (26)



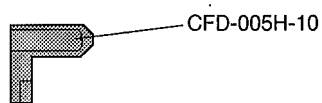
● Gear, TU (22)



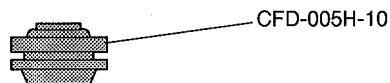
● Cam, TU (21)



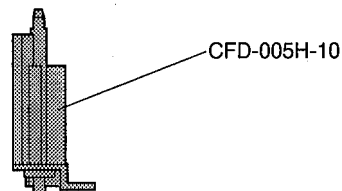
● Arm, Tray Lock (43)



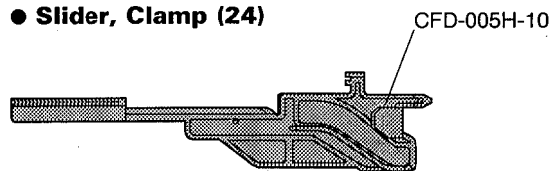
● Insulator (58)



● Gear, Zeneba (23)



● Slider, Clamp (24)



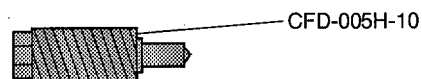
● Shaft, Tray (74)



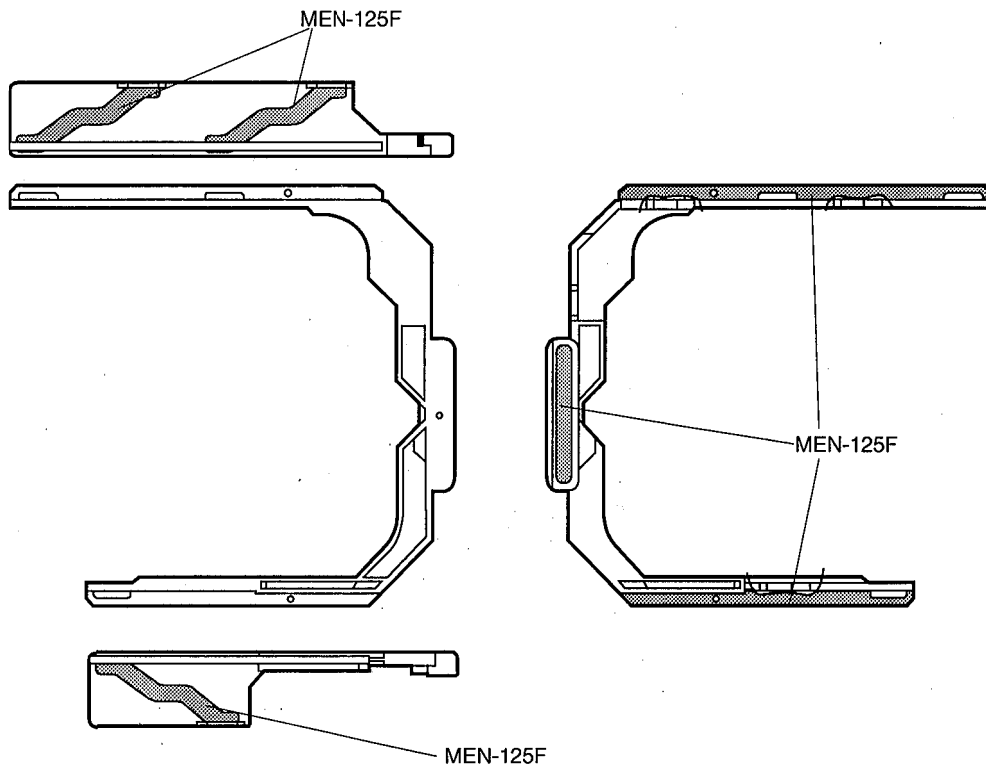
● Gear, Helical (10)



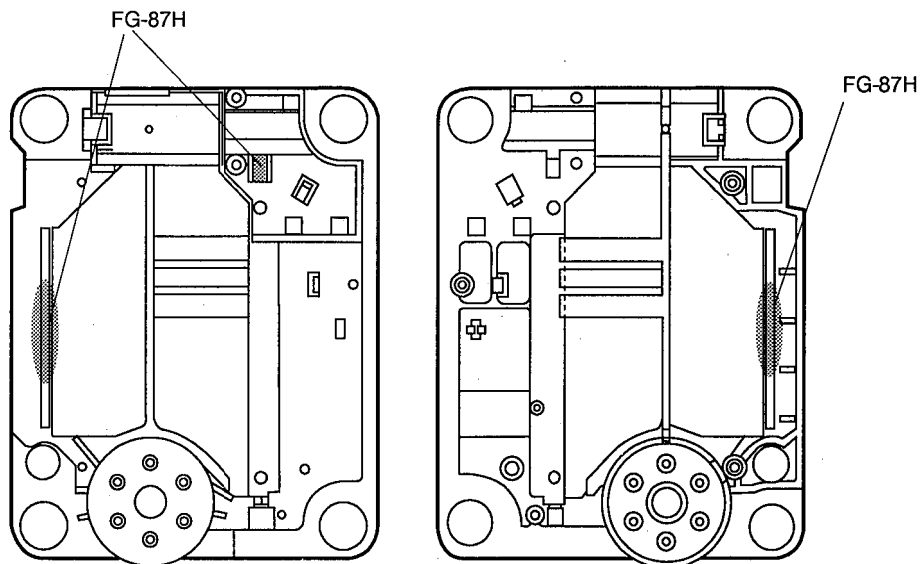
● Gear, Worm (11)



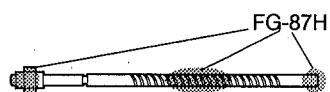
● Slider, TU (37)



● Chassis, TU



● Shaft Ass'y, Lead Screw

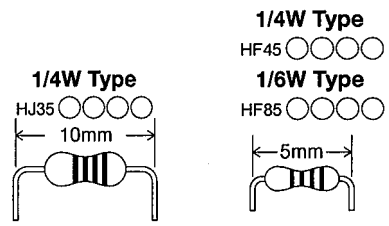


● Gear, Worm-TU



Parts List for Carbon Resistors

Value	1/4W Type Part No.	1/6W Type Part No.	Value	1/4W Type Part No.	1/6W Type Part No.
1.0 Ω	HJ35 3100	HF85 3100	10 kΩ	HF45 7100	HF45 7100
1.8 Ω	HJ35 3180	*	11 kΩ	HF45 7110	HF45 7110
2.2 Ω	HJ35 3220	HF85 3220	12 kΩ	HJ35 7120	HF85 7120
3.3 Ω	HJ35 3330	HF85 3330	13 kΩ	HF45 7130	HF45 7130
4.7 Ω	HJ35 3470	HF85 3470	15 kΩ	HF45 7150	HF45 7150
5.6 Ω	HJ35 3560	HF85 3560	18 kΩ	HF45 7180	HF45 7180
10 Ω	HF45 4100	HF45 4100	22 kΩ	HF45 7220	HF45 7220
15 Ω	HJ35 4150	HF85 4150	24 kΩ	HF45 7240	HF45 7240
22 Ω	HF45 4220	HF45 4220	27 kΩ	HJ35 7270	HF85 7270
27 Ω	HJ35 4270	HF85 4270	30 kΩ	HF45 7300	HF45 7300
33 Ω	HF45 4330	HF45 4330	33 kΩ	HF45 7330	HF45 7330
39 Ω	HJ35 4470	HF85 4390	36 kΩ	HF45 7360	HF45 7360
47 Ω	HF45 4470	HF45 4470	39 kΩ	HF45 7390	HF45 7390
56 Ω	HF45 4560	HF45 4560	47 kΩ	HF45 7470	HF45 7470
68 Ω	HF45 4680	HF45 4680	51 kΩ	HF45 7510	HF45 7510
75 Ω	HF45 4750	HF45 4750	56 kΩ	HF45 7560	HF45 7560
82 Ω	HF45 4820	HF45 4820	62 kΩ	HF45 7620	HF45 7620
91 Ω	HF45 4910	HF45 4910	68 kΩ	HF45 7680	HF45 7680
100 Ω	HF45 5100	HF45 5100	82 kΩ	HF45 7820	HF45 7820
110 Ω	HJ35 5110	HF85 5110	91 kΩ	HF45 7910	HF45 7910
120 Ω	HF45 5120	HF45 5120	100 kΩ	HF45 8100	HF45 8100
150 Ω	HF45 5150	HF45 5150	110 kΩ	HF45 8110	HF45 8110
160 Ω	HJ35 5160	*	120 kΩ	HF45 8120	HF45 8120
180 Ω	HF45 5180	HF45 5180	150 kΩ	HF45 8150	HF45 8150
200 Ω	HF45 5200	HF45 5200	180 kΩ	HF45 8180	HF45 8180
220 Ω	HF45 5220	HF45 5220	220 kΩ	HJ35 8220	HF85 8220
270 Ω	HF45 5270	HF45 5270	270 kΩ	HF45 8270	HF45 8270
330 Ω	HF45 5330	HF45 5330	300 kΩ	HF45 8300	HF45 8300
390 Ω	HF45 5390	HF45 5390	330 kΩ	HF45 8330	HF45 8330
430 Ω	HF45 5430	HF45 5430	390 kΩ	HJ35 8390	HF85 8390
470 Ω	HF45 5470	HF45 5470	470 kΩ	HF45 8470	HF45 8470
510 Ω	HF45 5510	HF45 5510	560 kΩ	HJ35 8560	HF85 8560
560 Ω	HF45 5560	HF45 5560	680 kΩ	HJ35 8680	HF85 8680
680 Ω	HF45 5680	HF45 5680	820 kΩ	HJ35 8820	HF85 8820
820 Ω	HF45 5820	HF45 5820	1.0 MΩ	HF45 9100	HF45 9100
910 Ω	HF45 5910	HF45 5910	1.2 MΩ	HJ35 9120	*
1.0 kΩ	HF45 6100	HF45 6100	1.5 MΩ	HJ35 9150	HF85 9150
1.2 kΩ	HF45 6120	HF45 6120	1.8 MΩ	HJ35 9180	HF85 9180
1.5 kΩ	HF45 6150	HF45 6150	2.2 MΩ	HJ35 9220	HF85 9220
1.8 kΩ	HF45 6180	HF45 6180	3.3 MΩ	HJ35 9330	HF85 9330
2.0 kΩ	HJ35 6200	HF85 6200	3.9 MΩ	HJ35 9390	*
2.2 kΩ	HF45 6220	HF45 6220	4.7 MΩ	HJ35 9470	HF85 9470
2.4 kΩ	HJ35 6240	HF85 6240			
2.7 kΩ	HF45 6270	HF45 6270			
3.0 kΩ	HF45 6300	HF45 6300			
3.3 kΩ	HF45 6330	HF45 6330			
3.6 kΩ	HJ35 6360	HF85 6360			
3.9 kΩ	HF45 6390	HF45 6390			
4.7 kΩ	HF45 6470	HF45 6470			
5.1 kΩ	HF45 6510	HF45 6510			
5.6 kΩ	HF45 6560	HF45 6560			
6.8 kΩ	HF45 6680	HF45 6680			
8.2 kΩ	HF45 6820	HF45 6820			
9.1 kΩ	HF45 6910	HF45 6910			



CRX-M5