

MICRO COMPONENT SYSTEM MCR-040/MCR-140 CD RECEIVER/SPEAKER CRX-040/CRX-140/NS-BP80

SERVICE MANUAL

The MCR-040 consists of the CRX-040 and NS-BP80.

The MCR-140 consists of the CRX-140 and NS-BP80.

MCR-040 は、CRX-040 および NS-BP80 で構成されています。

MCR-140 は、CRX-140 および NS-BP80 で構成されています。

IMPORTANT NOTICE

This manual has been provided for the use of authorized YAMAHA Retailers and their service personnel.

It has been assumed that basic service procedures inherent to the industry, and more specifically YAMAHA Products, are already known and understood by the users, and have therefore not been restated.

WARNING: Failure to follow appropriate service and safety procedures when servicing this product may result in personal injury, destruction of expensive components, and failure of the product to perform as specified. For these reasons, we advise all YAMAHA product owners that any service required should be performed by an authorized YAMAHA Retailer or the appointed service representative.

IMPORTANT: The presentation or sale of this manual to any individual or firm does not constitute authorization, certification or recognition of any applicable technical capabilities, or establish a principle-agent relationship of any form.

The data provided is believed to be accurate and applicable to the unit(s) indicated on the cover. The research, engineering, and service departments of YAMAHA are continually striving to improve YAMAHA products. Modifications are, therefore, inevitable and specifications are subject to change without notice or obligation to retrofit. Should any discrepancy appear to exist, please contact the distributor's Service Division.

WARNING: Static discharges can destroy expensive components. Discharge any static electricity your body may have accumulated by grounding yourself to the ground buss in the unit (heavy gauge black wires connect to this buss).

IMPORTANT: Turn the unit OFF during disassembly and part replacement. Recheck all work before you apply power to the unit.

CONTENTS

TO SERVICE PERSONNEL	2	SELF-DIAGNOSTIC FUNCTION /	
PREVENTION OF ELECTROSTATIC DISCHARGE	5	ダイアグ (自己診断機能)	34-48
SYSTEM COMPOSITION / システム構成	6	DISPLAY DATA	49
FRONT PANELS	7-9	IC DATA	50-54
REAR PANELS	10-13	BLOCK DIAGRAM	55
REMOTE CONTROL PANELS	14	PRINTED CIRCUIT BOARDS	56-65
SPECIFICATIONS / 参考仕様	15-17	PIN CONNECTION DIAGRAMS	66
INTERNAL VIEW	18	SCHEMATIC DIAGRAMS	67-74
DISASSEMBLY PROCEDURES / 分解手順	19-22	REPLACEMENT PARTS LIST	75-90
UPDATING FIRMWARE /		REMOTE CONTROL	91-92
ファームウェアのアップデート	23-33	USING USEFUL FUNCTIONS / 便利な機能	93-98



このサービスマニュアルは、エコマーク認定の再生紙を使用しています。
This Service Manual uses recycled paper.

101157

Copyright © 2009 YAMAHA CORPORATION All rights reserved.
This manual is copyrighted by YAMAHA and may not be copied or
redistributed either in print or electronically without permission.



YAMAHA CORPORATION
P.O.Box 1, Hamamatsu, Japan

'09.12

CRX-040/CRX-140/
NS-BP80

■ TO SERVICE PERSONNEL

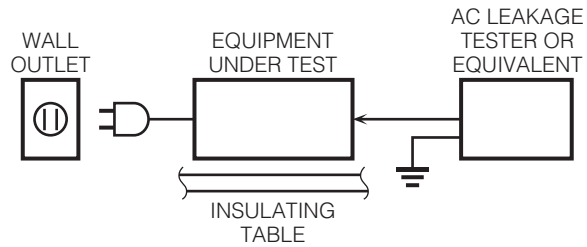
1. Critical Components Information

Components having special characteristics are marked Δ and must be replaced with parts having specifications equal to those originally installed.

2. Leakage Current Measurement (For 120V Models Only)

When service has been completed, it is imperative to verify that all exposed conductive surfaces are properly insulated from supply circuits.

- Meter impedance should be equivalent to 1500 ohms shunted by 0.15 μ F.



- Leakage current must not exceed 0.5mA.
- Be sure to test for leakage with the AC plug in both polarities.



For U model "CAUTION"

"F1: FOR CONTINUED PROTECTION AGAINST RISK OF FIRE, REPLACE ONLY WITH SAME TYPE 1.25A, 125V FUSE."

For C model CAUTION

F1: REPLACE WITH SAME TYPE 1.25A, 125V FUSE.

ATTENTION

F1: UTILISER UN FUSIBLE DE RECHANGE DE MÊME TYPE DE 1.25A, 125V.

WARNING: CHEMICAL CONTENT NOTICE!

This product contains chemicals known to the State of California to cause cancer, or birth defects or other reproductive harm.

DO NOT PLACE SOLDER, ELECTRICAL/ELECTRONIC OR PLASTIC COMPONENTS IN YOUR MOUTH FOR ANY REASON WHATSOEVER!

Avoid prolonged, unprotected contact between solder and your skin! When soldering, do not inhale solder fumes or expose eyes to solder/flux vapor!

If you come in contact with solder or components located inside the enclosure of this product, wash your hands before handling food.

About lead free solder / 無鉛ハンダについて

All of the P.C.B.s installed in this unit and solder joints are soldered using the lead free solder.

Among some types of lead free solder currently available, it is recommended to use one of the following types for the repair work.

- Sn + Ag + Cu (tin + silver + copper)
- Sn + Cu (tin + copper)
- Sn + Zn + Bi (tin + zinc + bismuth)

Caution:

As the melting point temperature of the lead free solder is about 30°C to 40°C (50°F to 70°F) higher than that of the lead solder, be sure to use a soldering iron suitable to each solder.

本機に搭載されているすべての基板およびハンダ付けによる接合部は無鉛ハンダでハンダ付けされています。

無鉛ハンダにはいくつかの種類がありますが、修理時には下記のような無鉛ハンダの使用を推奨します。

- Sn+Ag+Cu (錫 + 銀 + 銅)
- Sn+Cu (錫 + 銅)
- Sn+Zn+Bi (錫 + 亜鉛 + ビスマス)

注意：

無鉛ハンダの融点温度は通常の鉛入りハンダに比べ 30 ~ 40°C程度高くなっていますので、それぞれのハンダに合ったハンダごてをご使用ください。

WARNING: Lithium batteries

CAUTION

Danger of explosion if battery is incorrectly replaced. Replace only with the same or equivalent type.

WARNING: Lithium batteries are dangerous because they can be exploded by improper handling. Observe the following precautions when handling or replacing lithium batteries.

- Leave lithium battery replacement to qualified service personnel.
- Always replace with batteries of the same type.
- When installing on the PC board by soldering, solder using the connection terminals provided on the battery cells. Never solder directly to the cells. Perform the soldering as quickly as possible.
- Never reverse the battery polarities when installing.
- Do not short the batteries.
- Do not attempt to recharge these batteries.
- Do not disassemble the batteries.
- Never heat batteries or throw them into fire.

注意

正しい電池と交換しないと爆発が起きるおそれがあります。同一型名または同等品以外の電池とは絶対に交換しないようにしてください。

ADVARSEL!

Lithiumbatteri –Eksplodingsfare ved fejlagtig håndtering. Udskiftning må kun ske med batteri af samme fabrikat og type. Levér det brugte batteri tilbage til leverandøren.

VARNING

Explosionsfara vid felaktigt batteribyte. Använd samma batterityp eller en ekvivalent typ som rekommenderas av apparattillverkaren. Kassera använt batteri enligt fabrikantens instruktion.

VAROITUS

Paristo voi räjähtää, jos se on virheellisesti asennettu. Vaihda paristo ainoastaan laitevalmistajan suosittelemaan tyyppiin. Hävitä käytetty paristo valmistajan ohjeiden mukaisesti.

WARNING: Laser Safety

This product contains a laser beam component. This component may emit invisible, as well as visible radiation, which may cause eye damage. To protect your eyes and skin from laser radiation, the following precautions must be used during servicing of the unit.

- 1) When testing and/or repairing any component within the product, keep your eyes and skin more than 30 cm/1 feet away from the laser pick-up unit at all times. Do not stare at the laser beam at any time.
- 2) Do not attempt to readjust, disassemble or repair the laser pick-up, unless noted elsewhere in this manual.
- 3) CAUTION: Use of controls, adjustments or performance of procedures other than those specified herein may result in hazardous radiation exposure.

Laser Emitting conditions:

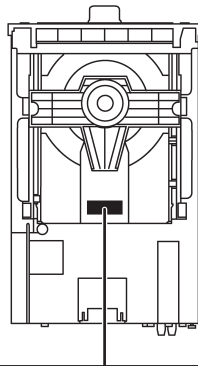
- 1) When the Top Cover is removed, and the STANDBY/ON SW is turned to the "ON" position, the laser component will emit a beam for several seconds to detect if a disc is present. During this time (5-10 sec.) the laser may radiate through the lens of the laser pick-up unit. Do not attempt any servicing during this period!
If no disc is detected, the laser will stop emitting the beam. When a disc is loaded, you will not be exposed to any laser emissions.
- 2) The laser power level can be adjusted with the VR on the pick-up PWB, however, this level has been set by the factory prior to shipping from the factory. Do not adjust this laser level control unless instruction is provided elsewhere in this manual. Adjustment of this control can increase the laser emission level from the device.

Laser Diode Properties

Type: Semiconductor laser GaAs/GaAlAs
 Wavelength: 780 nm
 Output power: 10 mW

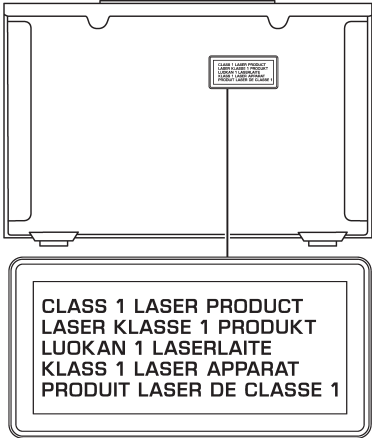
CAUTION
 Use of controls or adjustments or performance of procedures other than those specified herein may result in hazardous radiation exposure.

AVERTISSEMENT
 L'utilisation de commandes et l'emploi de réglages ou de méthodes autres que ceux décrits ci-dessous, peuvent entraîner une exposition à un rayonnement dangereux.

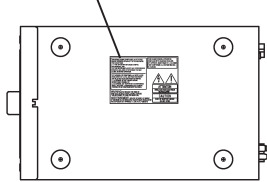


DANGER: AVOID DIRECT EXPOSURE TO THE BEAM
 INVISIBLE LASER RADIATION WHEN OPEN

CAUTION: DO NOT STARE INTO BEAM
 INVISIBLE LASER RADIATION WHEN OPEN



- The label is located on the bottom of the unit. (U model)
- L'étiquette est située sur la base de l'unité. (U modèle)



(Traduction française)

DANGER : ÉVITER UNE EXPOSITION DIRECTE AU RAYON RADIATION LASER INVISIBLE QUAND L'APPAREIL EST OUVERT

ATTENTION : NE PAS REGARDER FIXEMENT LE FAISCEAU RADIATION LASER INVISIBLE QUAND L'APPAREIL EST OUVERT

Warning for power supply

The primary side of the power supply carries live mains voltage when the player is connected to the mains even when the player is switched off !

This primary area is not shielded so it is possible to accidentally touch copper tracks and/or components when servicing the player.

Service personnel have to take precautions to prevent touching this area or components in this area.

Note:

The screws on the loader mechanism may never be touched, removed or re-adjusted.

Handle the loader mechanism with care when the unit has to be exchanged!

The loader mechanism is very sensitive for dropping or giving shocks.

■ PREVENTION OF ELECTROSTATIC DISCHARGE

Some semiconductor (solid state) devices can be damaged easily by static electricity. Such components commonly are called Electrostatically Sensitive (ES) Devices. Examples of typical ES devices are integrated circuits and some field-effect transistors and semiconductor “chip” components. The following techniques should be used to help reduce the incidence of component damage caused by electrostatic discharge (ESD).

1. Immediately before handling any semiconductor component or semiconductor-equipped assembly, drain off any ESD on your body by touching a known earth ground. Alternatively, obtain and wear a commercially available discharging ESD wrist strap, which should be removed for potential shock reasons prior to applying power to the unit under test.
2. After removing an electrical assembly equipped with ES devices, place the assembly on a conductive surface such as aluminum foil, to prevent electrostatic charge buildup or exposure of the assembly.
3. Use only a grounded-tip soldering iron to solder or unsolder ES devices.
4. Use only an anti-static solder removal device. Some solder removal devices not classified as “anti-static (ESD protected)” can generate electrical charge sufficient to damage ES devices.
5. Do not use freon-propelled chemicals. These can generate electrical charges sufficient to damage ES devices.
6. Do not remove a replacement ES device from its protective package until immediately before you are ready to install it. (Most replacement ES devices are packaged with leads electrically shorted together by conductive foam, aluminum foil or comparable conductive material).
7. Immediately before removing the protective material from the leads of a replacement ES device, touch the protective material to the chassis or circuit assembly into which the device will be installed.

CAUTION: Be sure no power is applied to the chassis or circuit, and observe all other safety precautions.

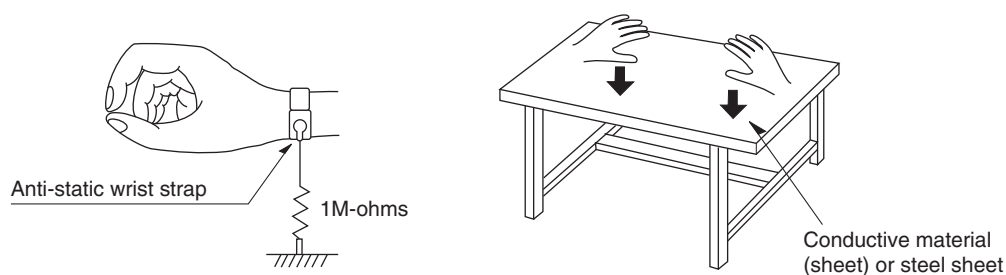
8. Minimize bodily motions when handling unpackaged replacement ES devices. (Otherwise harmless motion such as brushing together of your fabric clothes or lifting of your foot from a carpeted floor can generate static electricity (ESD) sufficient to damage an ES device).

Grounding for electrostatic breakdown prevention

1. Human body grounding.
Use the antistatic wrist strap to discharge the static electricity from your body.
2. Work table grounding.
Put a conductive material (sheet) or steel sheet on the area where the optical pickup is placed and ground the sheet.

Caution:

The static electricity of your clothes will not be grounded through the wrist strap. So take care not to let your clothes touch the optical pickup.



■ SYSTEM COMPOSITION / システム構成

The MCR-040 consists of the CRX-040 and NS-BP80.

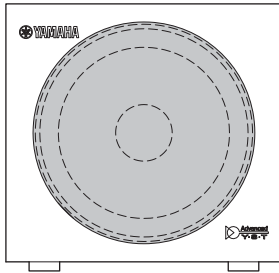
The MCR-140 consists of the CRX-140 and NS-BP80.

MCR-040 は、CRX-040 および NS-BP80 で構成されています。

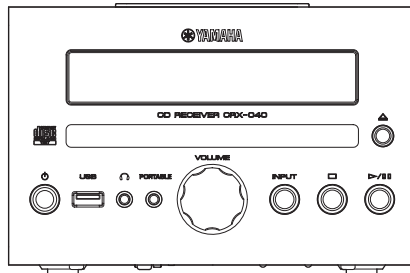
MCR-140 は、CRX-140 および NS-BP80 で構成されています。

MCR-040

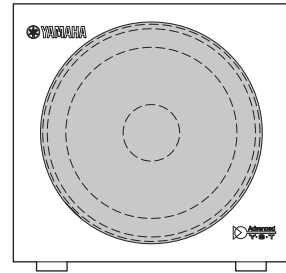
▼ NS-BP80



▼ CRX-040

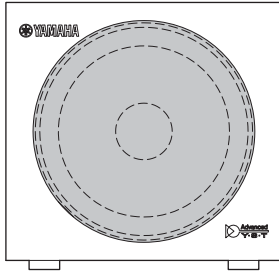


▼ NS-BP80

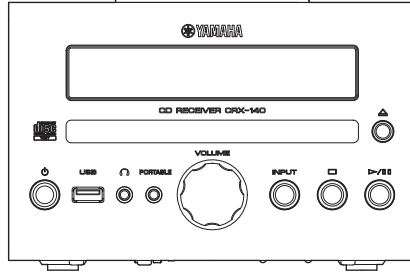


MCR-140

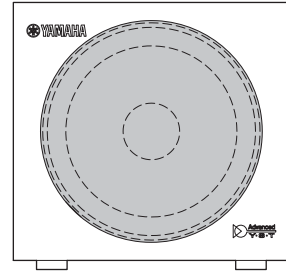
▼ NS-BP80



▼ CRX-140



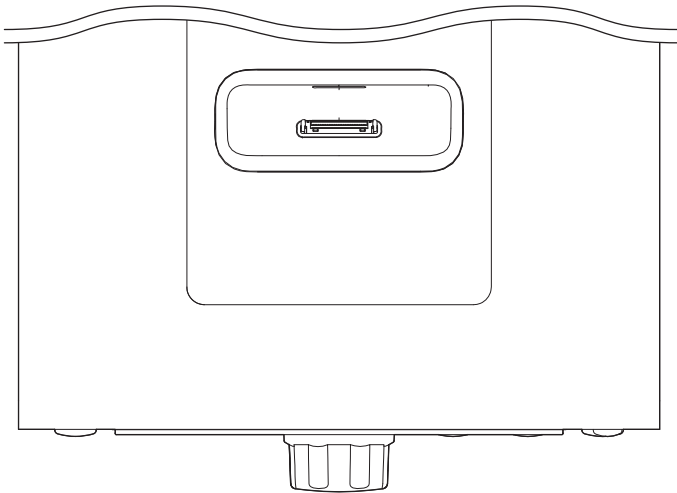
▼ NS-BP80



FRONT PANELS

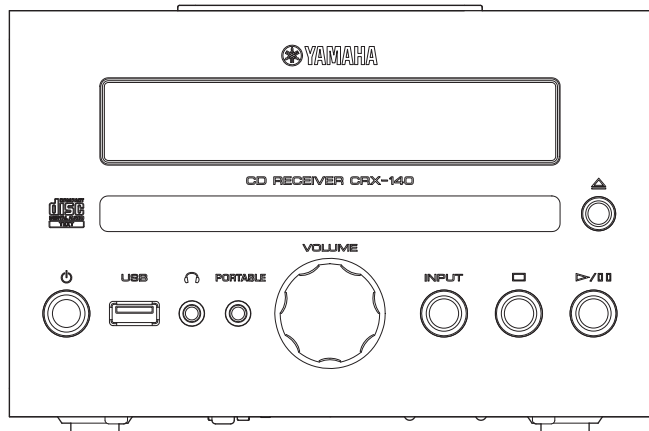
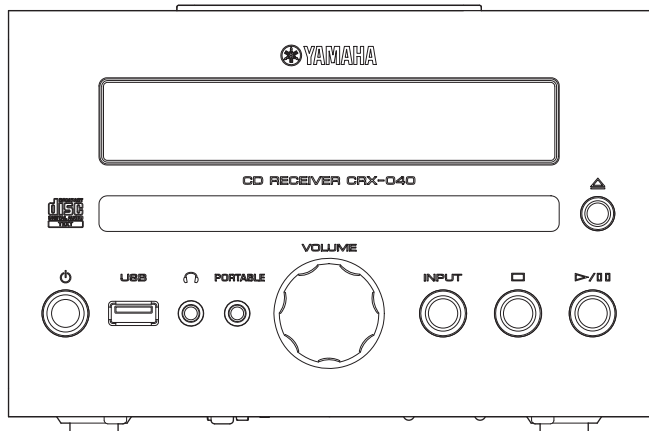
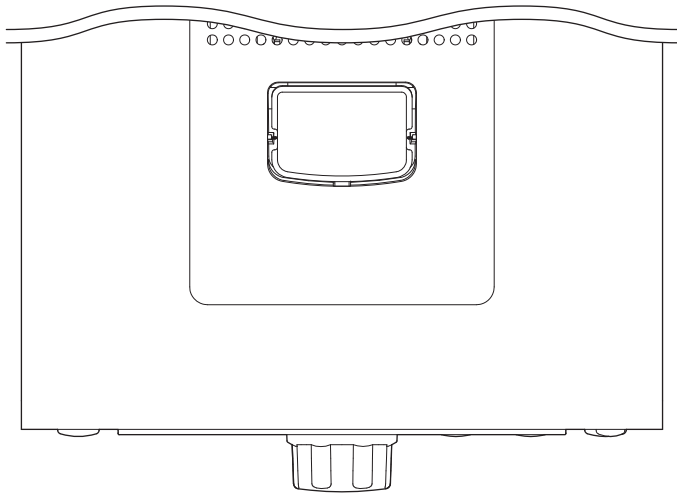
CRX-040

U, T, K, A, B, G, L, V, J models



CRX-140

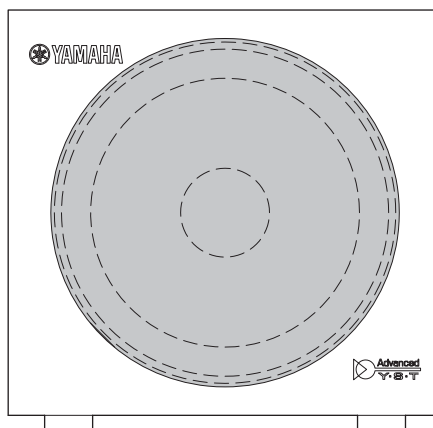
U, T, A, B, G, L, V, J models



CRX-040/CRX-140/
NS-BP80

NS-BP80

U, T, K, A, B, G, L, V, J models



● Color Variations / カラーバリエーション

OR : Orange color / オレンジ



WH : White color / ホワイト



LG : Light Gray color / ライトグレー



DG : Dark Gray color / ダークグレー



LB : Light Blue color / ライトブルー



DB : Dark Blue color / ダークブルー



RE : Red color / レッド



PI : Pink color / ピンク



DN : Dark Green color / ダークグリーン

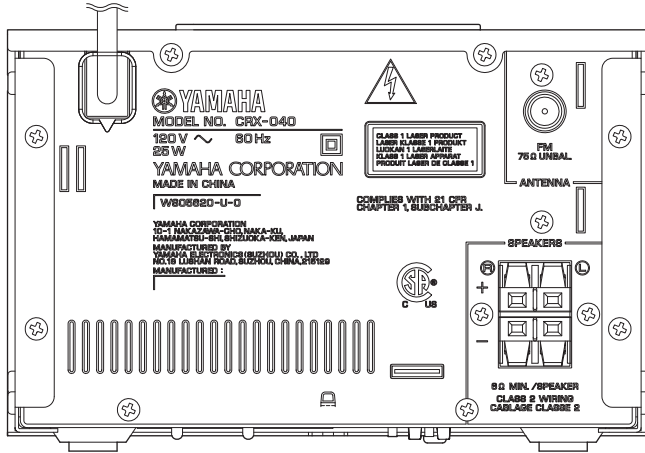


BR : Brown color / ブラウン

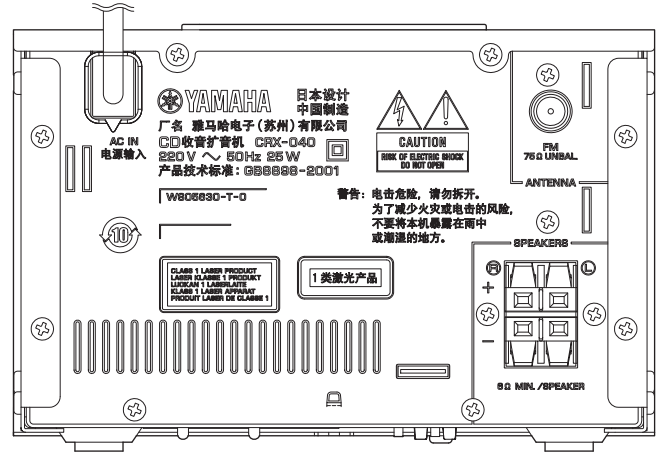
REAR PANELS

CRX-040

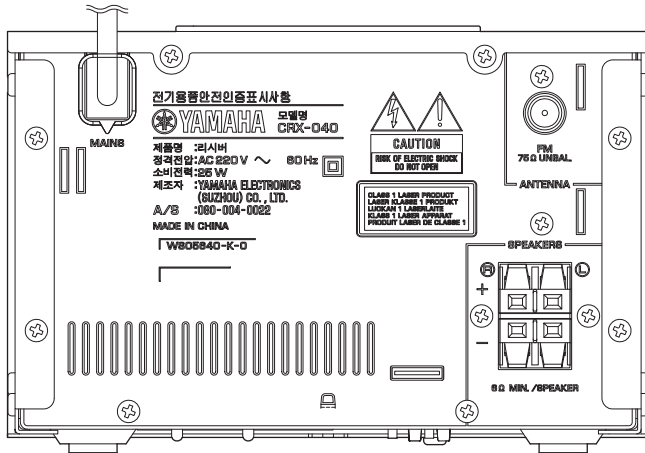
U model



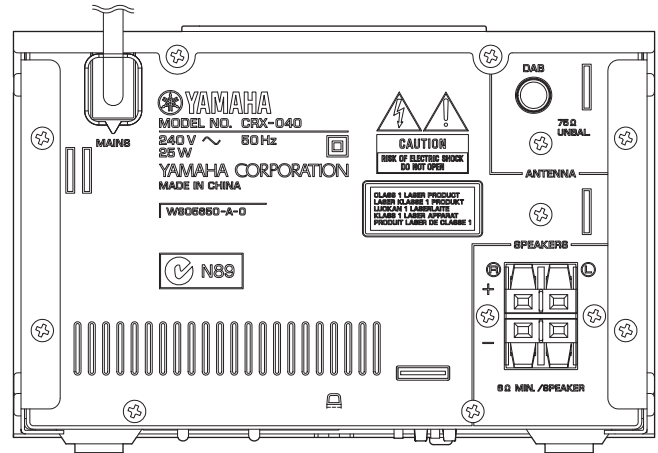
T model



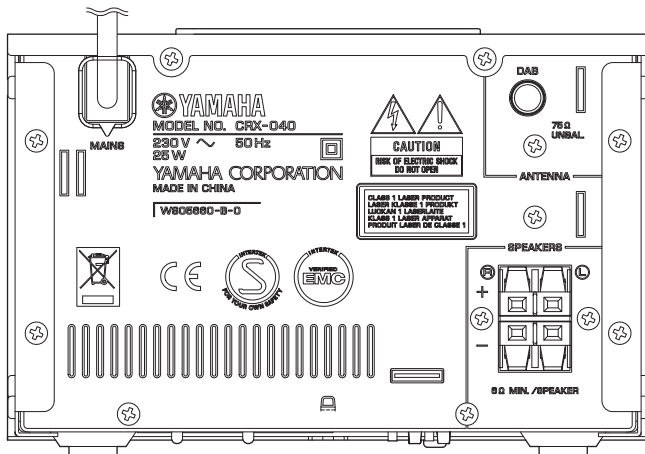
K model



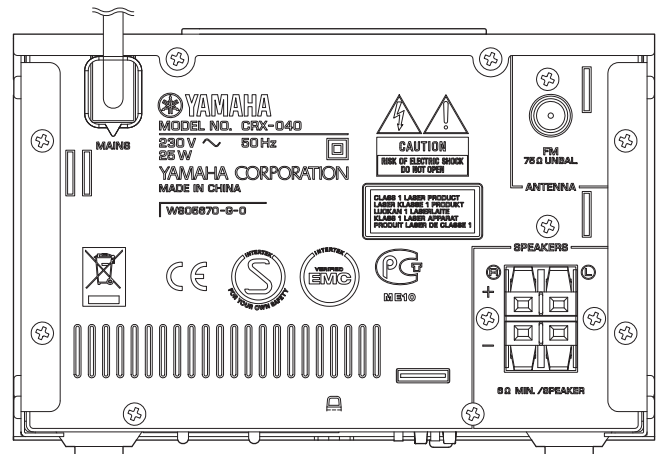
A model



B model



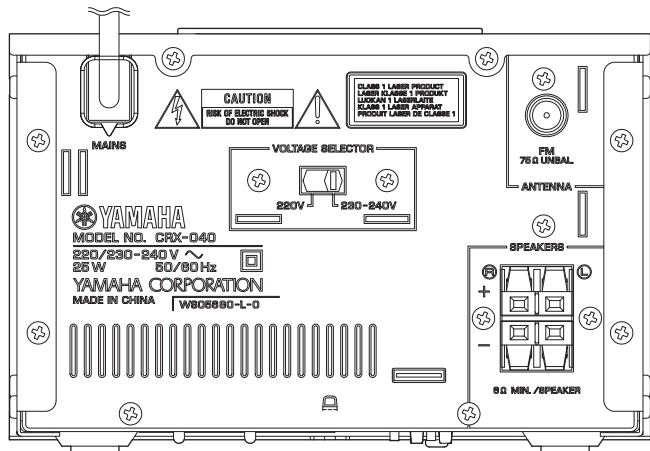
G model



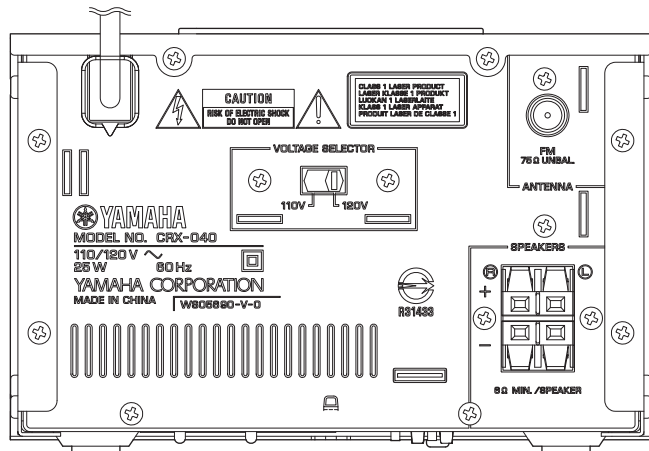
CRX-040/CRX-140/ NS-BP80

CRX-040

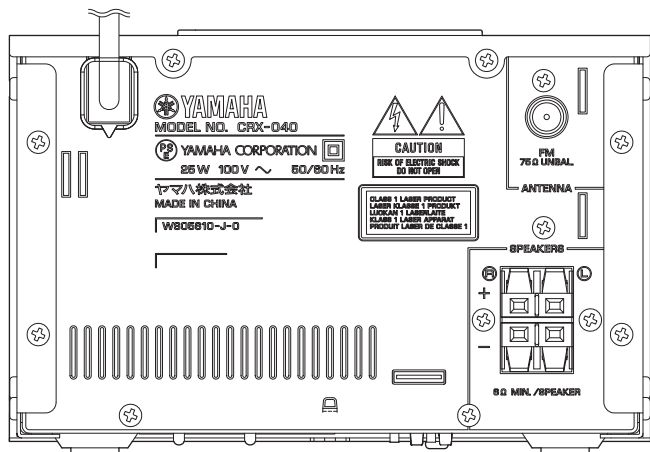
L model



V model



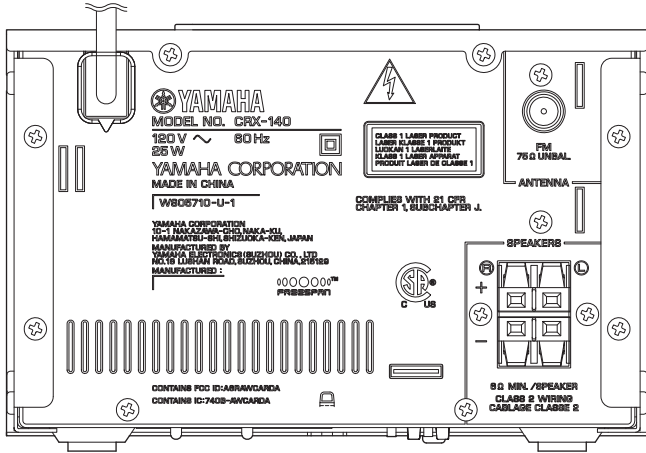
J model



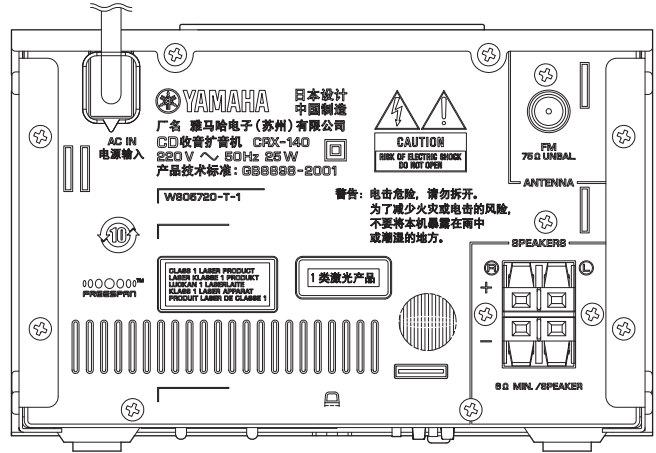
CRX-040/CRX-140/
NS-BP80

CRX-140

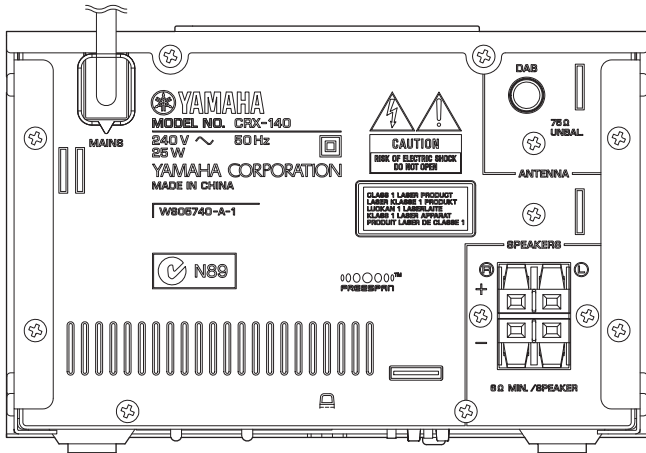
U model



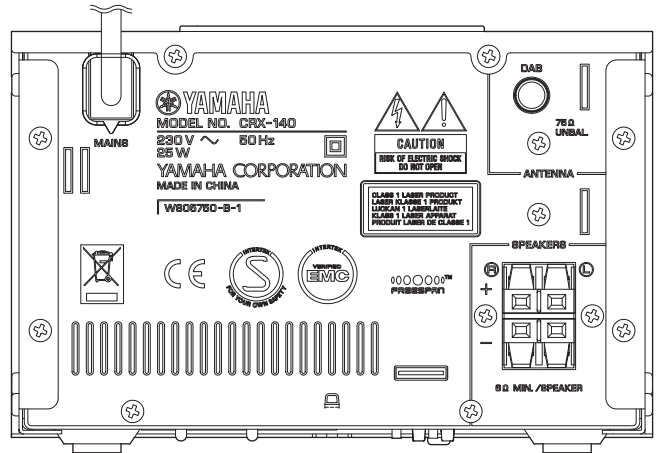
T model



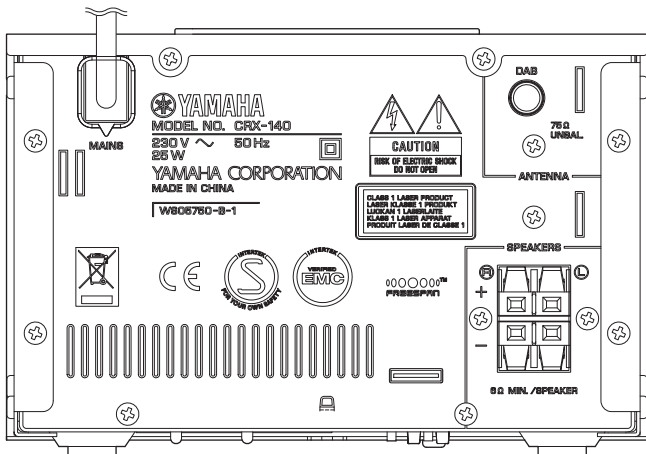
A model



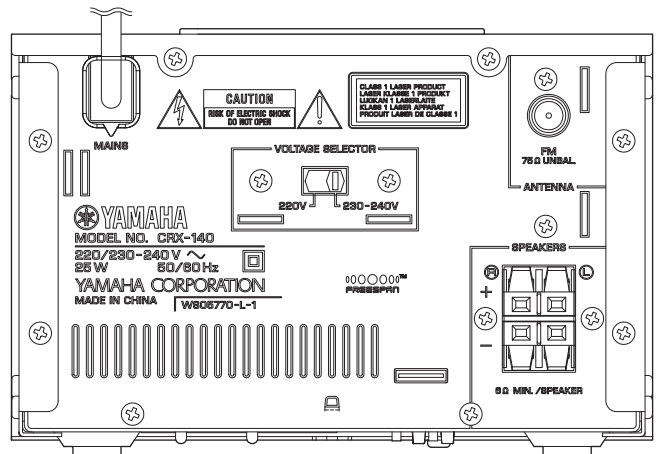
B model



G model



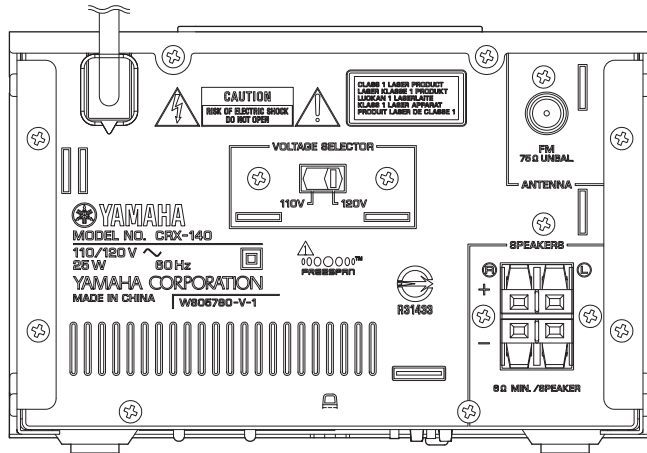
L model



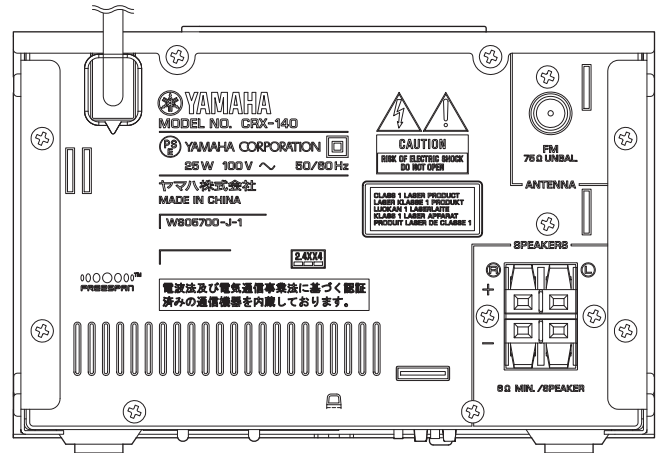
CRX-040/CRX-140/ NS-BP80

CRX-140

V model

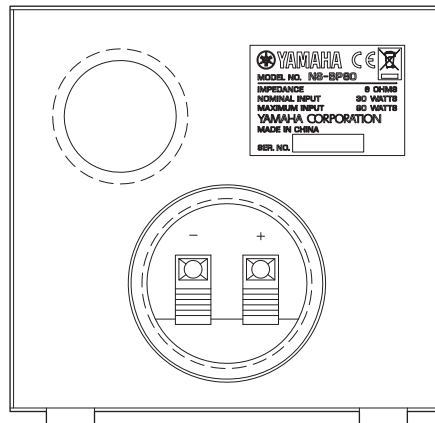


J model



NS-BP80

U, T, K, A, B, G, L, V, J models



CRX-040/CRX-140/
NS-BP80

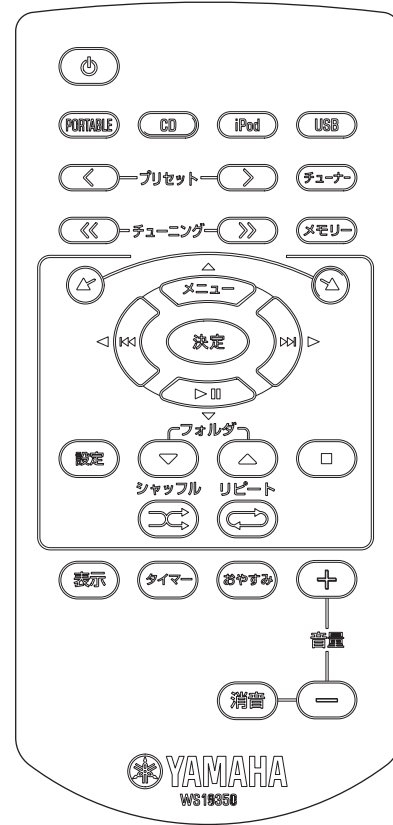
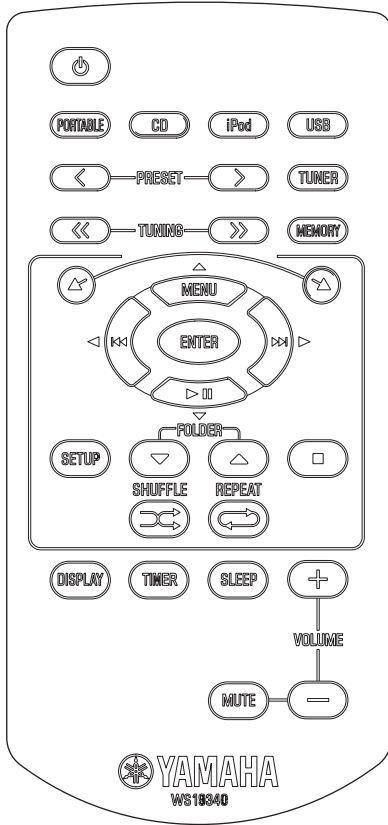
REMOTE CONTROL PANELS

CRX-040

CRX-140

U, T, K, A, B, G, L, V models

J model



CRX-040/CRX-140/
NS-BP80

■ SPECIFICATIONS / 参考仕様

■ Amplifier Section / アンプ部

Maximum Power / 実用最大出力 (JEITA, 1 kHz, 10 % THD, 6 ohms)
SP OUT 15 W + 15 W

Minimum RMS Output Power / 定格出力 (1 kHz, 0.9 % THD, 6 ohms)
SP OUT 13 W + 13 W

Input Sensitivity/Input Impedance / 入力感度/入力インピーダンス
(1 kHz, 20 W)
PORTABLE 450 mV / 22 k-ohms

Maximum Input Signal Level / 最大許容入力 (1 kHz, 0.5 % THD)
PORTABLE 2.5 V or more

Output Level/Output Impedance / 出力電圧/出力インピーダンス
(1 kHz, 450 mV, 32 ohms)
Headphone 270 mV / 100 ohms

Signal to Noise Ratio / 信号対雑音比
(Portable, IIF-A network, Input shorted 450 mV)
SP OUT 85 dB or more

Total Harmonic Distortion / 全高調波歪率
(Portable, 20 kHz LPF, CD etc., 1 kHz, 1 W)
SP OUT 0.05 % or less

Tone Control / トーンコントロール特性 (SP OUT)
BASS (100 Hz) ± 6 dB
TREBLE (10 kHz) ± 6 dB

■ Tuner Section / チューナー部

FM Tuning Range / FM 受信周波数範囲
U model 87.5 to 107.9 MHz
T, K, A, B, G, L, V models 87.50 to 108.00 MHz
J model 76.0 to 90.0 MHz

■ CD Section / CD 部

Playback System / 再生システム
Media CD, CD-R/RW
Audio format CD-DA, MP3, WMA

Audio Performance / オーディオ部再生
DAC 192 kHz/24 bit

■ Input/Output Section / 入出力部

Input Terminal / 入力端子

Analog Audio
PORTABLE (mini jack) x 1
Other
USB (1.1, full speed) x 1
Audio format / オーディオフォーマット MP3, WMA
iPod (CRX-040) x 1
Supported iPod / 対応 iPod iPod (5th generation)
iPod classic
iPod nano
iPod touch

Output Terminal / 出力端子

Analog Audio
SPEAKERS L/R
Headphone x 1

Charging Terminal / 充電端子

Transmitter (for charging iPod) x 1

■ Transmitter Section / トランスミッター部 (YIT-W11TX)

Frequency / 周波数 2.4 GHz

Transmission range / 通信可能距離
..... Approx. 10 m (32.8 ft)
(without interference / 妨害のない時)

Number of units which can be simultaneously transmitted to / 同時接続台数
..... Up to 7 units / 最大 7 台
(depending on the circumstances / 場所や状況により異なる)

■ Speaker Section / スピーカー部 (NS-BP80)

Type / 型式 Advanced Yamaha Active Servo Technology
アドバンスド ヤマハ アクティブ サーボ テクノロジー

Driver / スピーカーユニット
..... Full-range 10 cm (3/8") cone type
Non-magnetic shielding type
非防磁型

Frequency Response / 再生周波数帯域
..... 50 Hz to 18 kHz (-10 dB)
50 Hz to 24 kHz (-30 dB)

Input Terminal / 入力端子 Push type / プッシュ型

■ General / 総合

Power Supply / 電源電圧

U model AC 120 V, 60 Hz
T model AC 220 V, 50 Hz
K model AC 220 V, 60 Hz
A model AC 240 V, 50 Hz
B, G models AC 230 V, 50 Hz
L model AC 220/230-240 V, 50/60 Hz
V model AC 110/120 V, 60 Hz
J model AC 100 V, 50/60 Hz

Power Consumption / 消費電力

..... 25 W

Standby Power Consumption (reference data) / 待機時消費電力 (参考値)

..... Less than 1 W

Dimensions (W x H x D) / 寸法 (幅 × 高さ × 奥行き)

[CRX-040/CRX-140]
..... 180 x 120 x 309 mm (7-1/8" x 4-3/4" x 12-1/8")
[NS-BP80]
..... 122 x 118 x 287 mm (4-3/4" x 4-5/8" x 11-1/4")

Weight / 質量

[CRX-040]
..... 3.6 kg (7.9 lbs.)
[CRX-040]
..... 1.4 kg (3.1 lbs.)

Finish / 仕上げ

- OR (Orange color)U, T, K, A, B, G, L, V, J models
- WH (White color)U, T, K, A, B, G, L, V, J models
- LG (Light Gray color)U, T, K, A, B, G, L, V, J models
- DG (Dark Gray color)U, T, K, A, B, G, L, V, J models
- LB (Light Blue color)U, T, K, A, B, G, L, V, J models
- DB (Dark Blue color)U, T, K, A, B, G, L, V, J models
- RE (Red color)U, T, K, A, B, G, L, V, J models
- PI (Pink color)U, T, K, A, B, G, L, V, J models
- DN (Dark Green color)U, T, K, A, B, G, L, V, J models
- BR (Brown color)U, T, K, A, B, G, L, V, J models

Accessories / 付属品

- [CRX-040]
- Remote controlx 1
 - Lithium batteries (CR2025)x 2
 - Indoor FM antenna (1.4 m) (U, T, G, L, V, J models)x 1
 - DOCK coverx 1
- [CRX-140]
- Remote controlx 1
 - Lithium batteries (CR2025)x 2
 - Indoor FM antenna (1.4 m) (U, T, G, L, V, J models)x 1
 - Transmitter (YIT-W11TX Ver. D31i)x 1
- [NS-BP80]
- Speaker cable (1.5 m)x 2

* **Specifications are subject to change without notice due to product improvements.**
 ※ 参考仕様および外観は予告なく変更されることがあります。

U... U.S.A. and Canadian model G.....European model
T.....Chinese model L.....Singapore model
K.....Korean model V.....Taiwan model
A.....Australian model J.....Japanese model
B.....British model

iPod™

iPod is a trademark of Apple Inc., registered in the U.S. and other countries. "Made for iPod" means that an electronic accessory has been designed to connect specifically to iPod and has been certified by the developer to meet Apple performance standards.

Apple is not responsible for the operation of this device or its compliance with safety and regulatory standards.

iPod は、米国およびその他の国々で登録されている Apple Inc. の商標です。「Made for iPod」とは、iPod 専用で接続するよう設計され、アップルが定める性能基準を満たしているとデベロッパーによって認定された電子アクセサリーであることを示します。

アップルは、これらの機器操作または、安全規制基準に関する一切の責任を負いません。



Real-time uncompressed music transfer without sound degradation is realized by Yamaha original digital wireless transfer technology, yAired.

ヤマハ独自のデジタルワイヤレス伝送技術「AirWired」により、非圧縮で音質劣化のない音楽をリアルタイムで再生。



Advanced Yamaha Active Servo Technology II
 Advanced Yamaha Active Servo Technology is a unique system to let the speaker unit have a perfectly linear motion by the speaker and amplifier combination.

アドバンスドヤマハアクティブサーボテクノロジー II
 アドバンスドヤマハアクティブサーボテクノロジーは、スピーカーとアンプの組み合わせにより振動板を効率よくスムーズに動かし最大音圧時のリニアリティを大幅に改善したユニークなシステムです。

本製品 (MCR-140) は、電波法に基づく技術基準適合証明及び電気通信事業法に基づく技術基準適合認定を受けた通信機器を内蔵しております。

本機の無線方式について (MCR-140)

	[2.4]	2.4 GHz 帯を使用する無線設備
	[XX]	変調方式はその他の方式
	[4]	想定干渉距離が 40 m 以内

全帯域を使用し、かつ移動体識別装置の帯域を回避可能

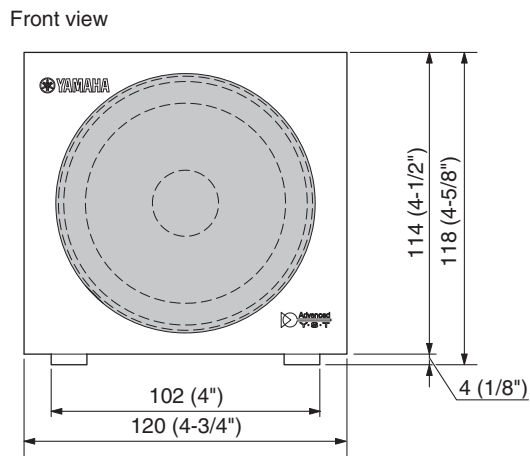
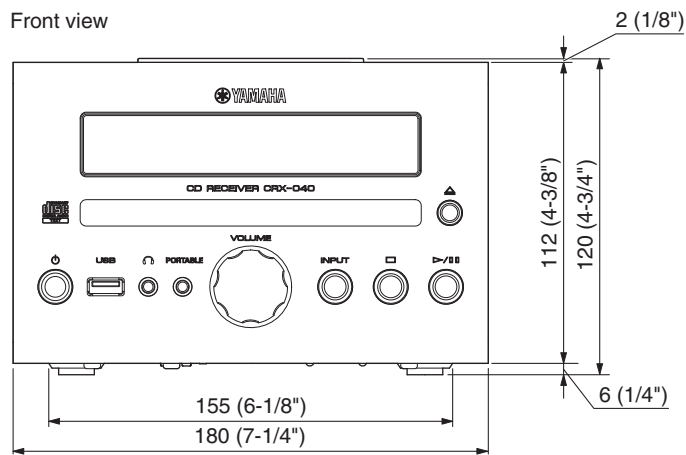
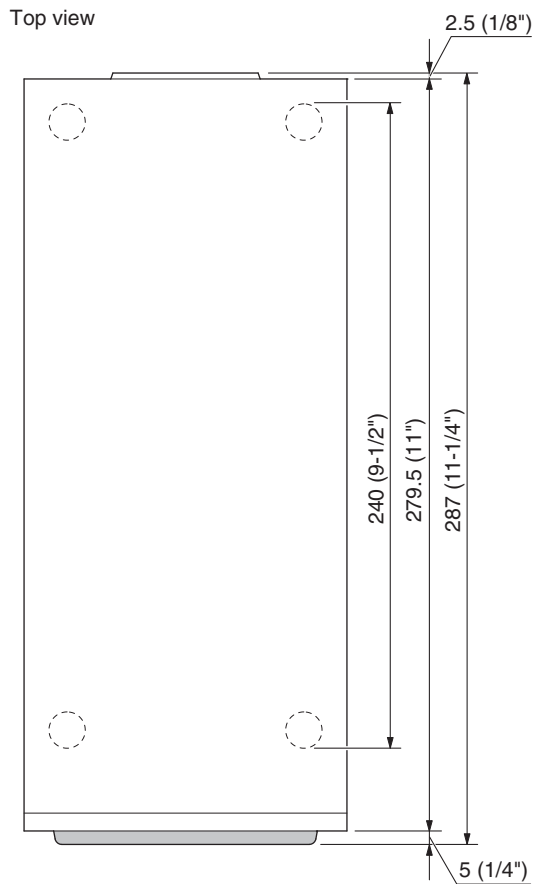
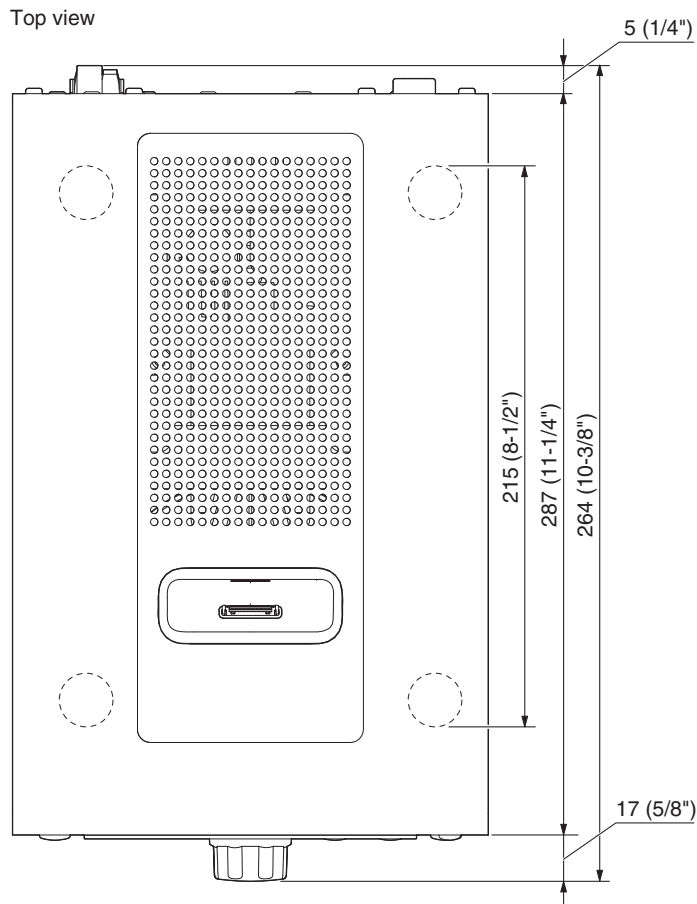
CRX-040/CRX-140/NS-BP80

• DIMENSIONS / 寸法図

CRX-040

CRX-140

NS-BP80



Unit: mm (inch)
単位: mm (インチ)

Unit: mm (inch)
単位: mm (インチ)

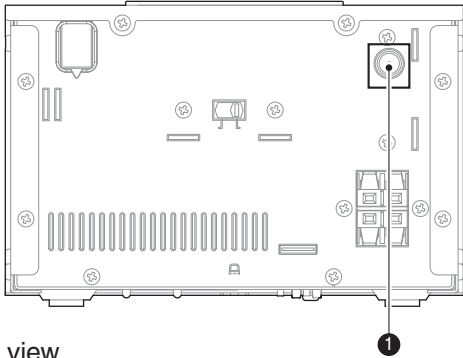
CRX-040/CRX-140/
NS-BP80

INTERNAL VIEW

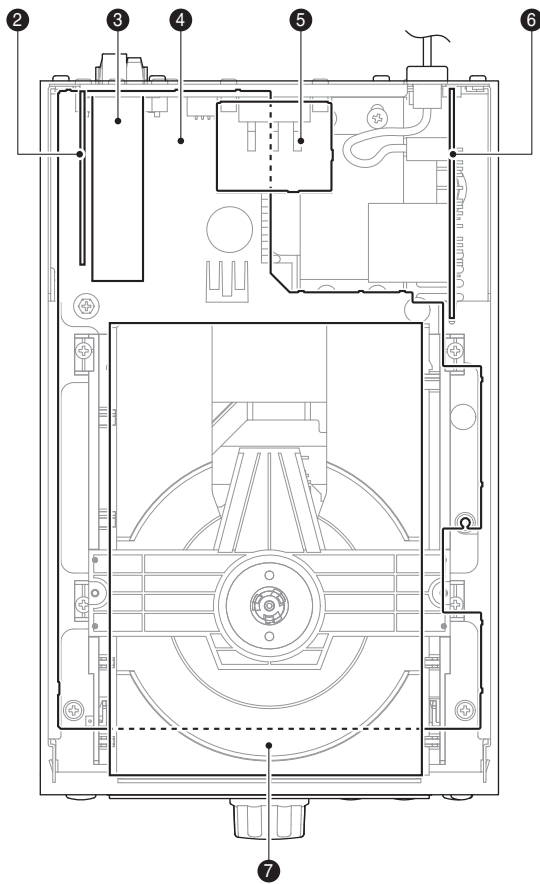
CRX-040

CRX-140

Rear view

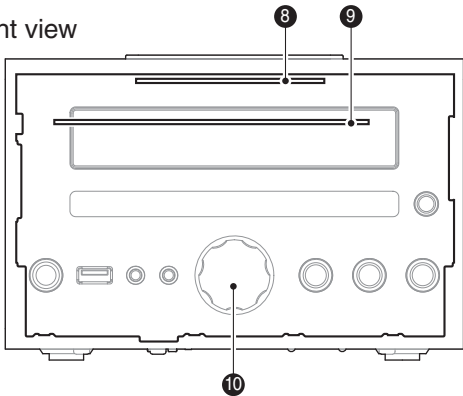


Top view



- ① DAB MODULE (A, B models)
- ② MAIN (2) P.C.B. (A, B models)
- ③ FM TUNER (U, T, K, G, L, V, J models)
- ④ MAIN (1) P.C.B.
- ⑤ SUB (3) P.C.B. (L, V models)
- ⑥ SUB (2) P.C.B.
- ⑦ LOADER MECHANISM UNIT
- ⑧ CONNECTOR (2) P.C.B. (CRX-140)
- ⑨ MAIN (3) P.C.B. (CRX-040)
CONNECTOR (1) P.C.B. (CRX-140)
- ⑩ SUB (1) P.C.B.

Front view



CRX-040/CRX-140/
NS-BP80

■ DISASSEMBLY PROCEDURES / 分解手順

Disconnect the power cable from the AC outlet.

AC 電源コンセントから、電源コードを抜いてください。

1. Removal of Front Panel Unit

- Using a flatblade screwdriver, move the slider at the bottom in the direction of the arrow shown above.
(Fig. 1)
Open the disc tray, remove the lid and close the disc tray.
(Fig. 1)
- Remove 5 screws (①), and remove the side cover R.
(Fig. 1)
- Remove 5 screws (②), and remove the side cover L.
(Fig. 1)
- Remove 4 screws (③).
(Fig. 1)
- Remove CB801-802.
(Fig. 1)
- Remove CB702-703.
(Fig. 1) (CRX-040)
- Remove CB602-604.
(Fig. 1) (CRX-140)
- Release 2 hooks, and remove the front panel unit.
(Fig. 1)

1. フロントパネルユニットの外し方

- マイナスドライバーで底面のスライダーを上図の矢印の方向に動かします。
(Fig. 1)
ディスクトレイを開けてリッドを取り外し、ディスクトレイを閉じます。
(Fig. 1)
- ①のネジ5本を外し、サイドカバーRを取り外します。
(Fig. 1)
- ②のネジ5本を外し、サイドカバーLを取り外します。
(Fig. 1)
- ③のネジ4本を外します。
(Fig. 1)
- CB801～802を外します。
(Fig. 1)
- CB702～703を外します。
(Fig. 1) (CRX-040)
- CB602～604を外します。
(Fig. 1) (CRX-140)
- フック2箇所を外し、フロントパネルユニットを取り外します。
(Fig. 1)

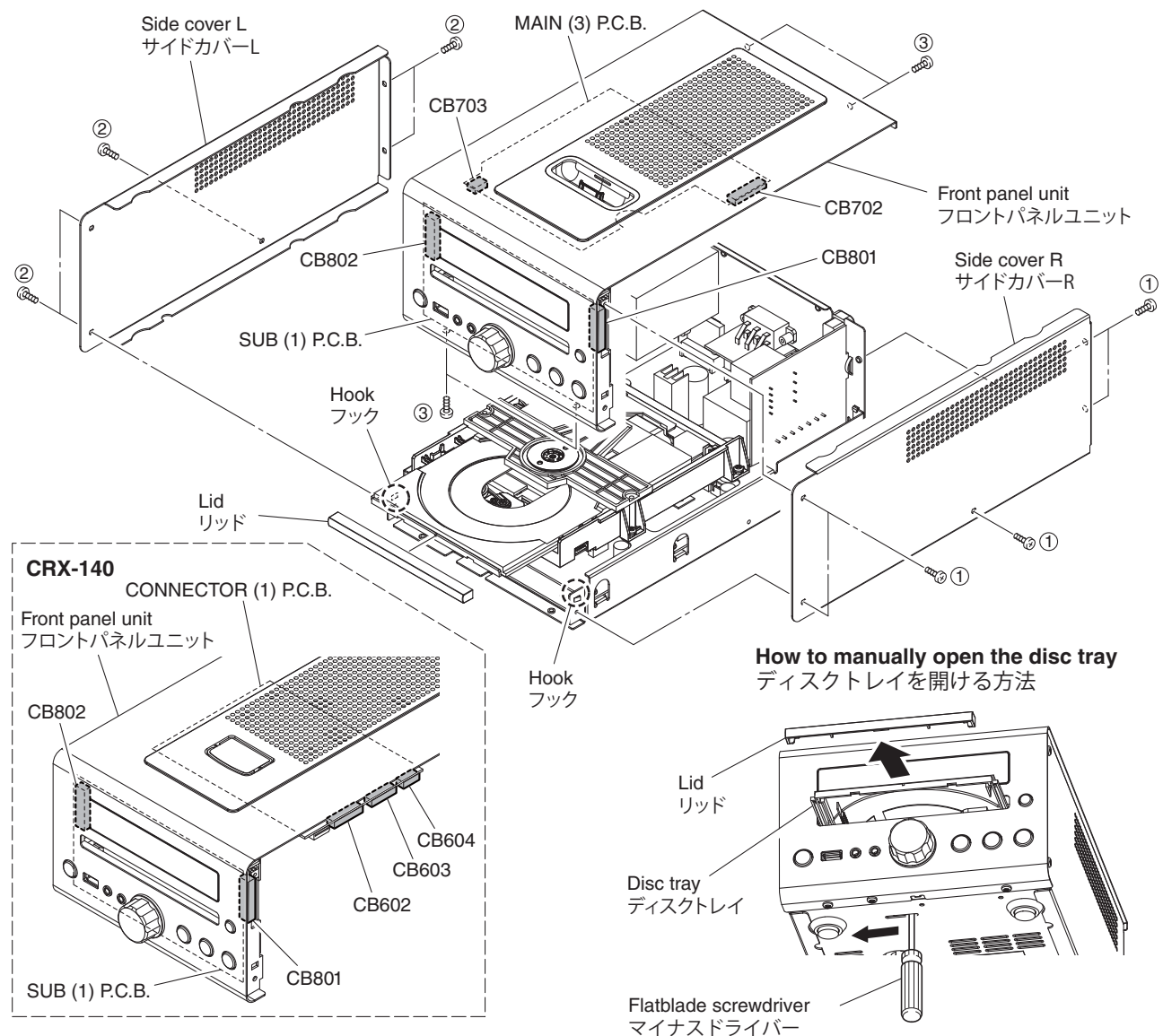


Fig. 1

2. Removal of Loader Mechanism Unit

- a. Remove 4 screws (④). (Fig. 2)
- b. Remove CB502 and W501. (Fig. 2)
- c. Unlock and remove CB4 and ground the terminal side of the flexible flat cable with a clip or the like. (Fig. 2)
- d. Remove the loader mechanism unit. (Fig. 2)

3-1. Removal of FM tuner (U, T, K, G, L, V, J models)

- a. Remove 2 screws (⑤). (Fig. 2)
- b. Remove CB251. (Fig. 2)
- c. Remove the FM tuner. (Fig. 2)

3-2. Removal of DAB module (A, B models)

- a. Remove 2 screws (⑥). (Fig. 2)
- b. Remove CB252. (Fig. 2)
- c. Remove the DAB module. (Fig. 2)

4. Removal of MAIN (1) P.C.B.

- a. Remove 2 screws (⑦), 3 screws (⑧) and 3 screws (⑨). (Fig. 2)
- b. Remove CB101 and CB103. (Fig. 2)
- c. Remove the MAIN (1) P.C.B.. (Fig. 2)

2. ローダーメカユニットの外し方

- a. ④のネジ4本を外します。(Fig. 2)
- b. CB502、W501を外します。(Fig. 2)
- c. ロックを解除してCB501を外し、カード電線の端子面をクリップ等でアースします。(Fig. 2)
- d. ローダーメカユニットを取り外します。(Fig. 2)

3. FM チューナーの外し方

- a. ⑤のネジ2本を外します。(Fig. 2)
- b. CB251を外します。(Fig. 2)
- c. FM チューナーを取り外します。(Fig. 2)

4. MAIN (1) P.C.B. の外し方

- a. ⑦のネジ2本、⑧のネジ3本、⑨のネジ3本を外します。(Fig. 2)
- b. CB101、CB103を外します。(Fig. 2)
- c. MAIN (1) P.C.B.を取り外します。(Fig. 2)

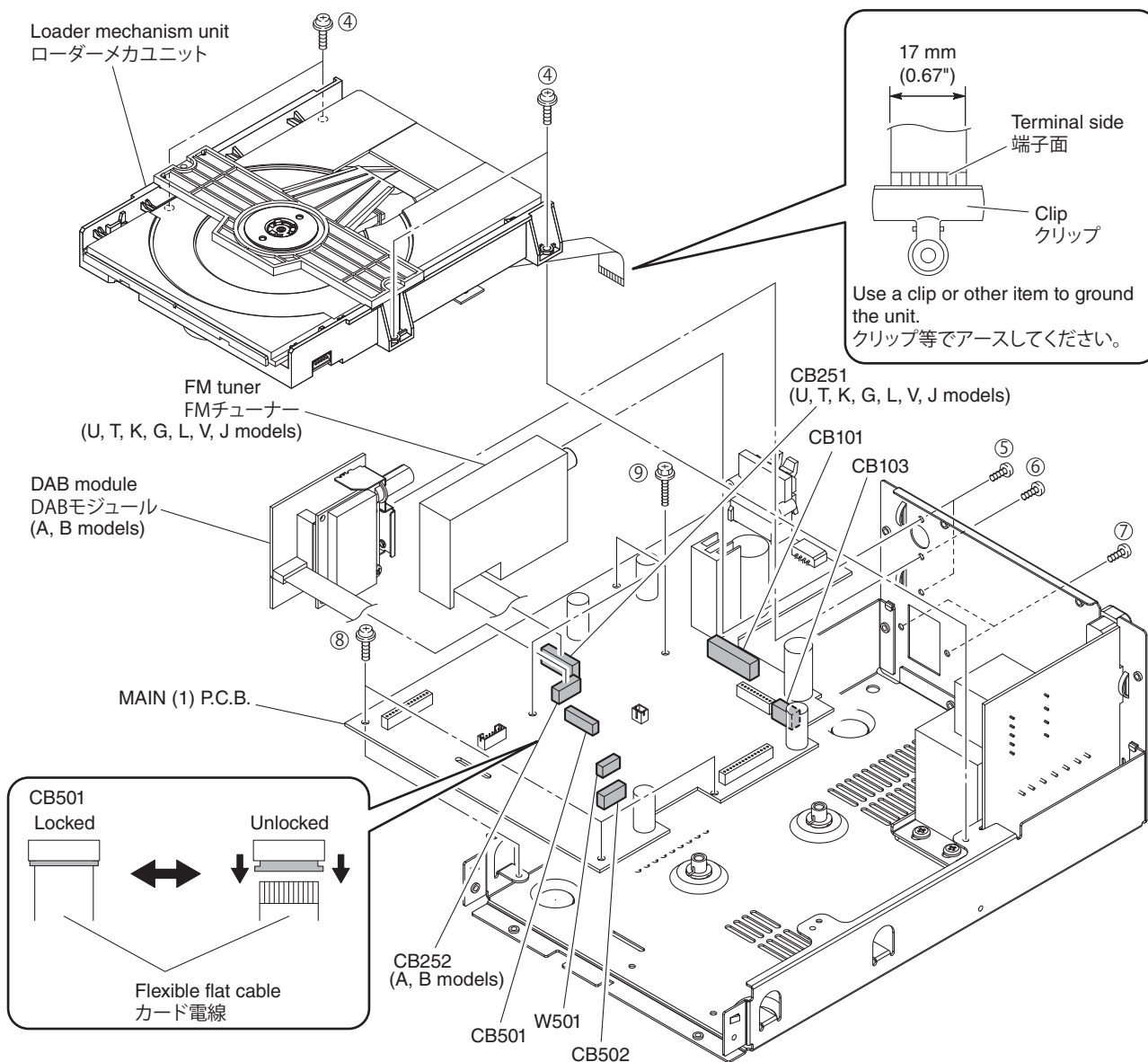


Fig. 2

CRX-040

When checking the P.C.B.s:

- Spread the rubber sheet and the cloth. Then place this unit on the cloth and check it. (Fig. 3)
- When connecting the flexible flat cable, be careful with polarity.
- Connect the ground point (ST801) of the SUB (1) P.C.B. to the chassis with a ground lead or the like. (Fig. 3)
- Reconnect all cables (connectors) that have been disconnected.

P.C.B. をチェックする場合には：

- ゴムシートと布を敷き、その上に本機を置いてチェックします。(Fig. 3)
- 外したケーブル（コネクター）をすべて接続します。
- SUB(1)P.C.B.のアース(ST801)をアース線等でシャーシに接続してください。(Fig. 3)
- フラットケーブルを接続する際、極性に注意してください。

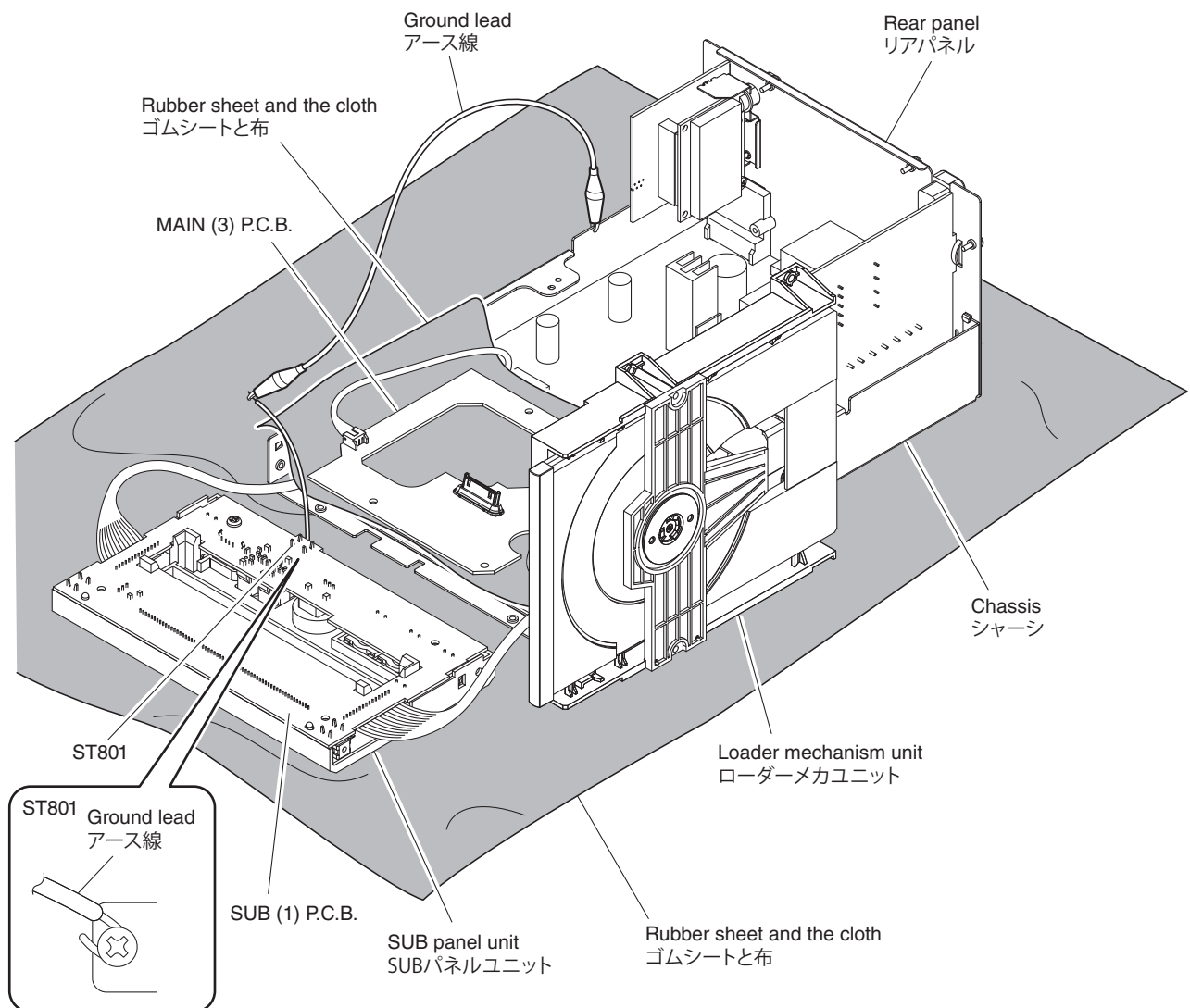


Fig. 3

CRX-140

When checking the P.C.B.s:

- Spread the rubber sheet and the cloth. Then place this unit on the cloth and check it. (Fig. 4)
- When connecting the flexible flat cable, be careful with polarity.
- Connect the ground point (ST801) of the SUB (1) P.C.B. to the chassis with a ground lead or the like. (Fig. 4)
- Reconnect all cables (connectors) that have been disconnected.

P.C.B. をチェックする場合には：

- ゴムシートと布を敷き、その上に本機を置いてチェックします。(Fig. 4)
- 外したケーブル (コネクター) をすべて接続します。
- SUB (1) P.C.B. のアース (ST801) をアース線等でシャーシに接続してください。(Fig. 4)
- フラットケーブルを接続する際、極性に注意してください。

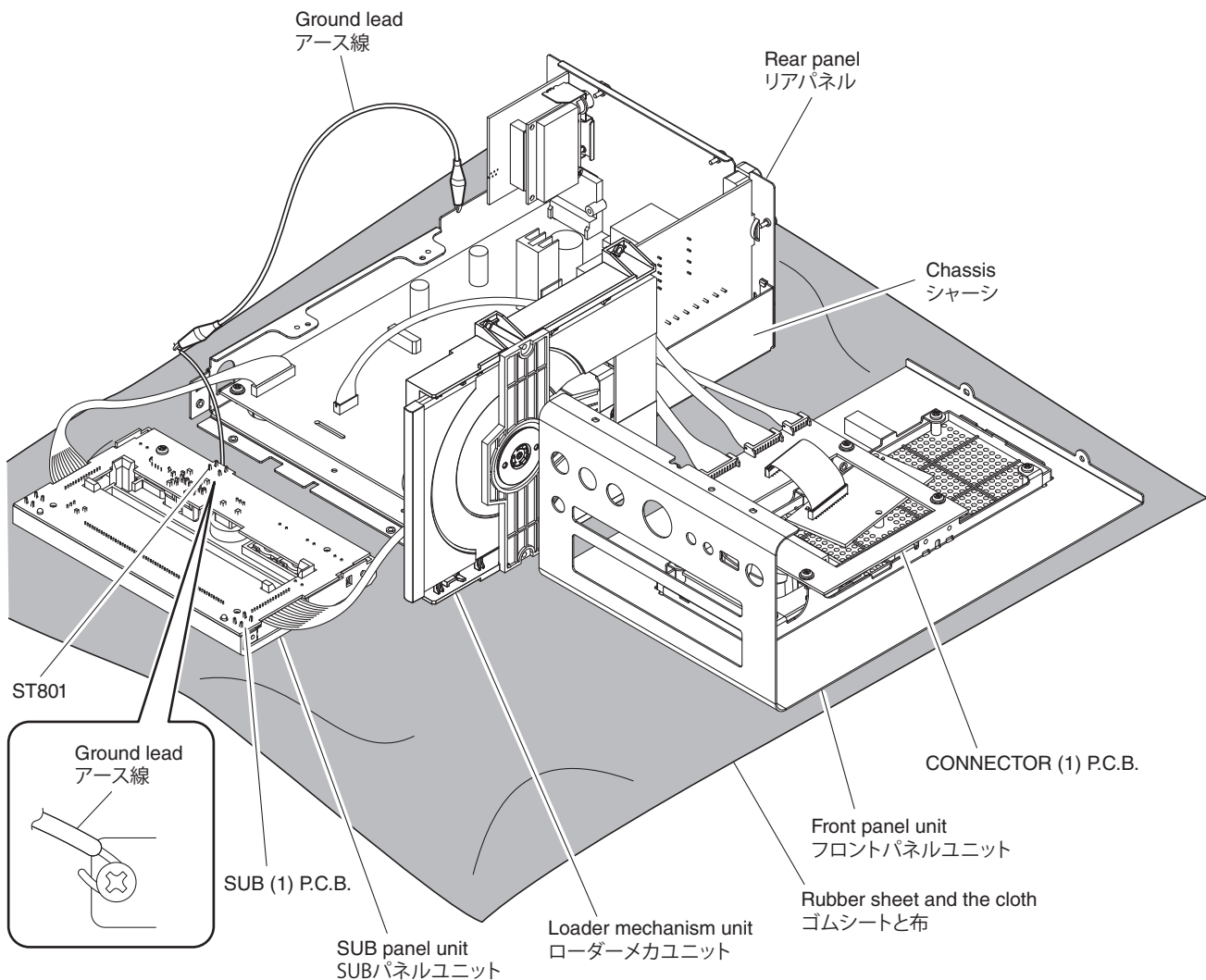


Fig. 4

■ UPDATING FIRMWARE / ファームウェアのアップデート

When the following parts are replaced, the firmware must be updated to the latest version.

下記の部品を交換した場合、ファームウェアを最新バージョンにアップデートする必要があります。

Replaced Parts 交換した部品	Firmware ファームウェア	Update method アップデートの方法	Model モデル名
MAIN P.C.B. Main microprocessor (IC267, MAIN P.C.B.)	Main microprocessor firmware メインマイコンファームウェア	Updating the main microprocessor firmware メインマイコンファームウェアのアップデート	MCR-040/MCR-140
AW-CARD P.C.B.	Wireless Module Firmware ワイヤレスモジュールファームウェア	Updating the Wireless Module Firmware and the AirWired microprocessor Firmware ワイヤレスモジュールファームウェアと AirWired マイコンファームウェアのアップデート	MCR-140
	AirWired microprocessor Firmware AirWired マイコンファームウェア		

● Confirmation of firmware version and checksum

Before and after updating the firmware, check the firmware version and checksum by using the self-diagnostic function menu.

Start up the self-diagnostic function and select "1. ROM VER/SUM" menu.

Using the sub-menu, have the firmware version and checksum displayed, and note down them.

(See "SELF-DIAGNOSTIC FUNCTION")

- * When the firmware version is different from written one after updating, perform the updating procedure again from the beginning.

● ファームウェアのバージョンとチェックサムの確認

ファームウェアのアップデートの前後に、ファームウェアのバージョンとチェックサムをダイアグで確認します。

ダイアグを起動し、「1.ROM VER/SUM」を選択します。サブメニューでファームウェアのバージョンとチェックサムを表示し、それらを書きとめます。

(「ダイアグ」参照)

- ※ アップデート後、ファームウェアのバージョンが書き込まれたものと異なる場合、アップデートの操作を最初からやり直してください。

● Initializing the back-up IC

Be sure to initialize the back-up IC after updating the firmware by the following procedure, otherwise the set up information (tuner preset, clock) can not be memorized properly.

Start up the self-diagnostic function and select "C. FACTORY PRESET" menu. (See "SELF-DIAGNOSTIC FUNCTION")

Select "C-2 PRESET RSRV" sub-menu and turn off the power once and turn on the power again. Then the buck-up IC is initialized.

● バックアップ IC の初期化

ファームウェアのアップデート後、必ず下記の手順でバックアップ IC の初期化を行ってください。でなければ、設定情報 (チューナープリセット、時計) が正常に記憶されません。






ダイアグを起動し、「C. FACTORY PRESET」を選択します。(「ダイアグ」参照)

サブメニュー "C-2 PRESET RSRV" を選択し、電源を一度切ってから、もう一度電源を入れるとバックアップ IC が初期化されます。

C-1 PRESET INH → C-2 PRESET RSRV

● **Required tools**

- Firmware downloader program FlashSta.exe
- Firmware
 - Main microprocessor firmware (CRX-040/CRX-140)
 - CRX_x40_xxxx.mot
 - CRX_x40_xxx.id
 - Wireless module firmware (CRX-140)
 - uaw_firmup_xxxx.mot
 - uaw_firmup_xxxx.id
 - AirWired microprocessor firmware (CRX-140)
 - uaw_card_xxxx.mot
 - uaw_card_xxxx.id
- RS232C cross cable “D-sub 9 pin female”
(Specifications)






Pin No.2 RxD		Pin No.2 RxD
Pin No.3 TxD		Pin No.3 TxD
Pin No.5 GND		Pin No.5 GND
Pin No.7 RTS		Pin No.7 RTS
Pin No.8 CTS		Pin No.8 CTS
- RS232C conversion adaptor (Part No.: WR492800)

● **Preparation and precautions**

- Download the firmware downloader program and the latest firmware from the specified source to the same folder of the PC.
- Prepare the above specified RS232C cross cable.
- While writing the firmware, keep the other application software on the PC closed.
It is also recommended to keep the software on the task tray closed as well.

● **必要なツール**

- プログラム書き込み用プログラムFlashSta.exe
- ファームウェア
 - メインマイコンファームウェア (CRX-040/CRX-140)
 -CRX_x40_xxxx.mot
 - CRX_x40_xxx.id
 - ワイヤレスモジュールファームウェア (CRX-140)
 - uaw_firmup_xxxx.mot
 - uaw_firmup_xxxx.id
 - AirWired マイコンファームウェア (CRX-140)
 -uaw_card_xxxx.mot
 - uaw_card_xxxx.id
- RS232C クロスケーブル “D-sub 9pin メス”
(仕様)

Pin No.2 RxD		Pin No.2 RxD
Pin No.3 TxD		Pin No.3 TxD
Pin No.5 GND		Pin No.5 GND
Pin No.7 RTS		Pin No.7 RTS
Pin No.8 CTS		Pin No.8 CTS
- RS232C 変換アダプター (部品番号：WR492800)

● **準備と注意**

- 指定のダウンロード先から、ファームウェア書き込み用プログラムと最新のファームウェアを、PCの同じフォルダにダウンロードしてください。
- RS232C クロスケーブルは必ず上記仕様のもので用意してください。
- 書き込み時は、PC上の他のアプリケーションソフトは閉じてください。
さらに、タスクトレイ上にあるソフトも閉じておくことを推奨します。

CRX-040/CRX-140/NS-BP80

Updating the main microprocessor firmware

● Connection

- * Disconnect the power cable of this unit from the AC outlet.
- 1. Set the switch (SW7) of RS232C conversion adaptor to the "FLASH UCOM" position. (Fig. 1)
- 2. Connect the writing port (CB255 of MAIN P.C.B.) located on the rear panel of this unit to the serial port (RS232C) of the PC with RS232C cross cable, RS232C conversion adaptor and flexible flat cable as shown below. (Fig. 1)

メインマイコンファームウェアのアップデート

● 接続

- ※ 本機の電源コードを AC コンセントから抜いてください。
- 1. RS232C 変換アダプターのスイッチ (SW7) を "FLASH UCOM" 側に設定します。(Fig. 1)
- 2. 本機の書き込み用ポート (MAIN P.C.B. の CB255) と PC のシリアルポート (RS232C) を下記のように接続します。(Fig. 1)

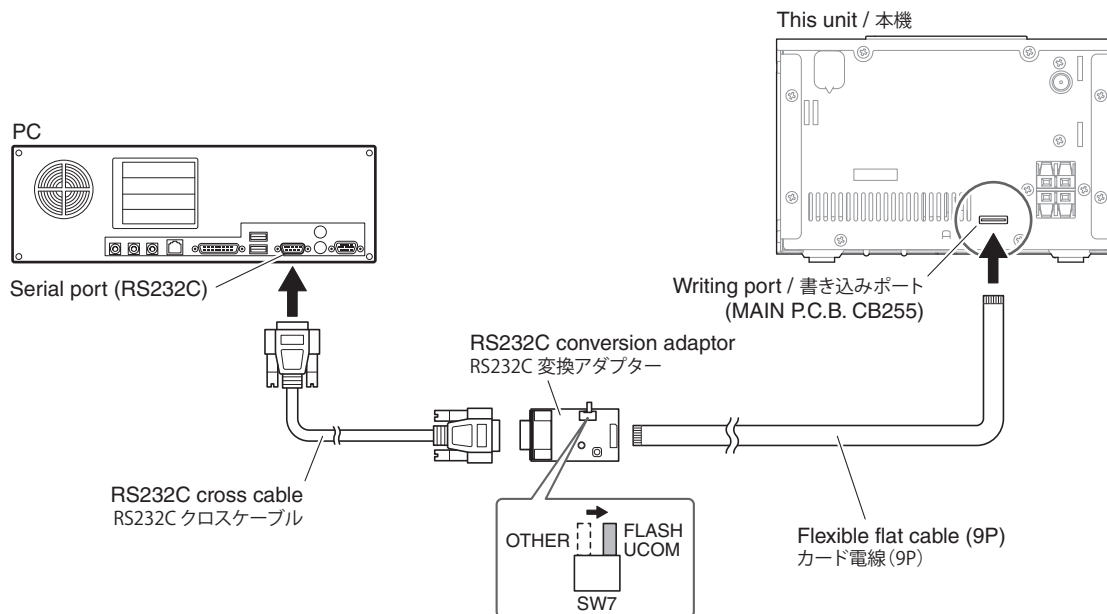


Fig. 1

● Operation procedure

1. Connect the power cable of this unit to the AC outlet.
The power to this unit is turned on and the microprocessor is in the writing mode.

● 操作方法

1. 本機の電源コードを AC コンセントに接続します。
本機の電源が入り、マイコンが書き込みモードになります。

2. Start up FlashSta.exe.
The screen appears as shown below. (Fig. 2)
3. Select the data to be transmitted and port. (Fig. 2)
 - **Select Program**
Select Internal flash memory.
 - **RS232C**
Select the port of RS-232C
 - * For selection of the port, COM1 to 4 can be used.
 - As COM5 or higher port cannot be used, select out of COM 1 to 4 of the setting on the PC side.

2. FlashSta.exe を起動します。
下記の画面が表示されます。(Fig. 2)
3. 送信データ、ポートを選択します。(Fig. 2)
 - **Select Program**
Internal flash memory を選択します。
 - **RS232C**
接続している RS-232 C ポートを選択します。
 - ※ ポートの選択は COM1 ~ 4 ままでが使用できます。
 - COM5 以上は使用できませんので、PC 側の設定で COM1 ~ 4 を選択してください。

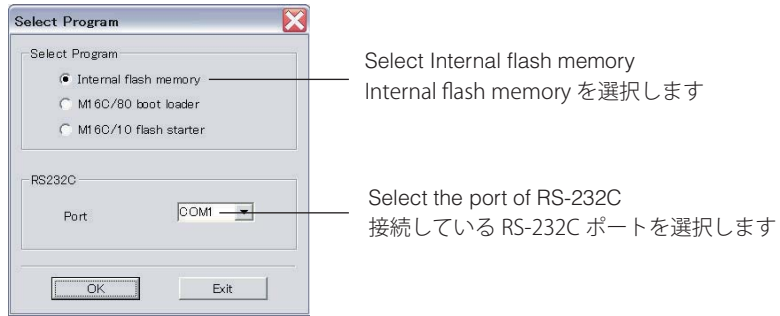
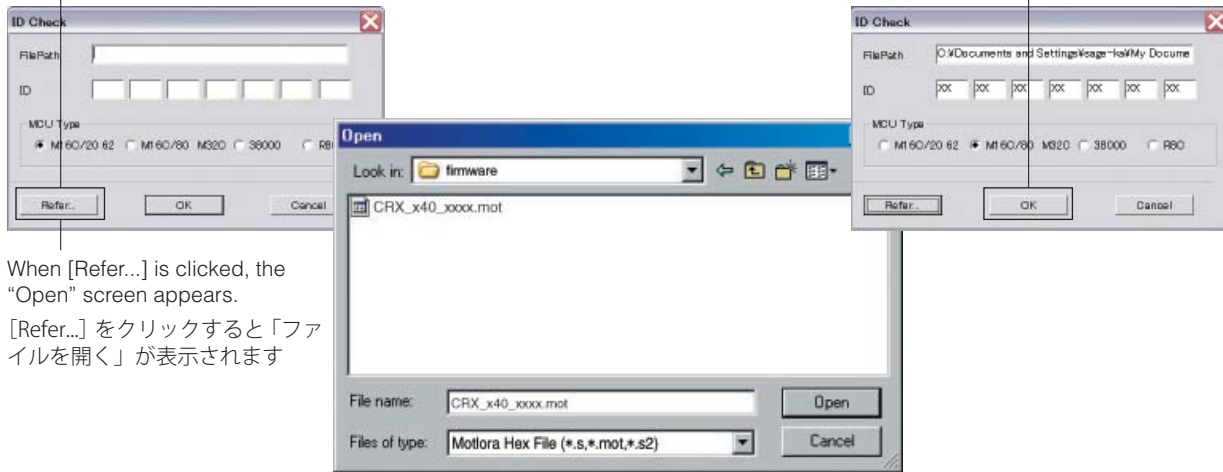


Fig. 2

4. Click [Refer...] and select the firmware name. (Fig. 3)
 - Main microprocessor firmware:
CRX_x40_xxxx.mot
 - * The ID code and MCU type are loaded automatically when the file is selected. (Fig. 3)
 - Click [OK]. (Fig. 3)

4. [Refer...] をクリックし、書き込むファームウェアを選択します。(Fig. 3)
 - メインマイコンファームウェア：
CRX_x40_xxxx.mot
 - ※ ID、および MCU Type は書き込みファイル選択後、自動的に取り込まれます。(Fig. 3)
 - [OK] をクリックします。(Fig. 3)



When [Refer...] is clicked, the "Open" screen appears.
[Refer...] をクリックすると「ファイルを開く」が表示されます

Fig. 3

5. Click [Setting], and set the baud rate. (Fig. 4)

- * Reduce the baud rate if a transmission error occurs frequently.

5. [Setting] をクリックし、通信速度の設定を行います。(Fig. 4)

- ※ 送信エラーが多発する場合は、通信速度を下げてください。

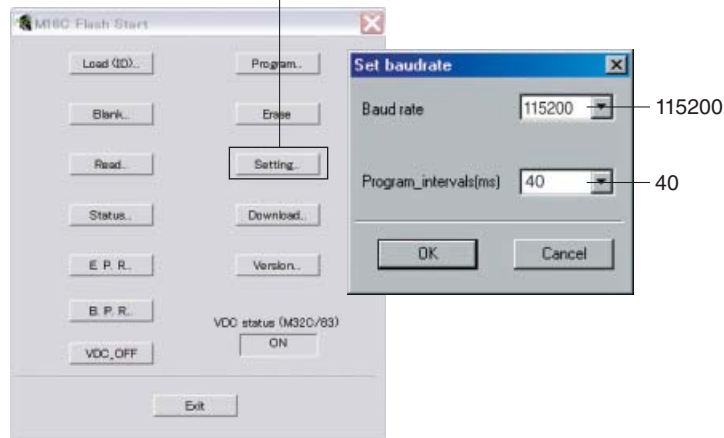


Fig. 4

6. Click [E.P.R.], then the "Erase" screen appears. (Fig. 5)

7. Click [OK] to start writing. (Fig. 5)

6. [E.P.R] をクリックすると、「Erase」が表示されます。(Fig. 5)

7. [OK] をクリックし、書き込みを開始します。(Fig. 5)

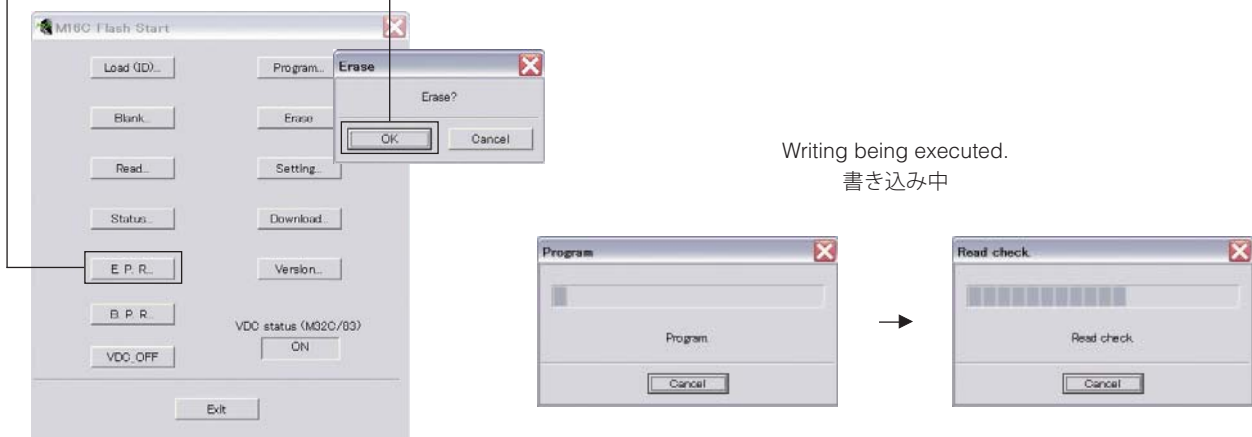


Fig. 5

8. When writing of the firmware is completed, the screen appears as shown below. (Fig. 6)
Click [OK]. (Fig. 6)

8. ファームウェアの書き込みが完了すると、以下の画面が表示されます。(Fig. 6)
[OK] をクリックします。(Fig. 6)

9. Click [Exit] to end FlashSta.exe. (Fig. 6)

9. [Exit] をクリックして FlashSta.exe を終了します。(Fig. 6)

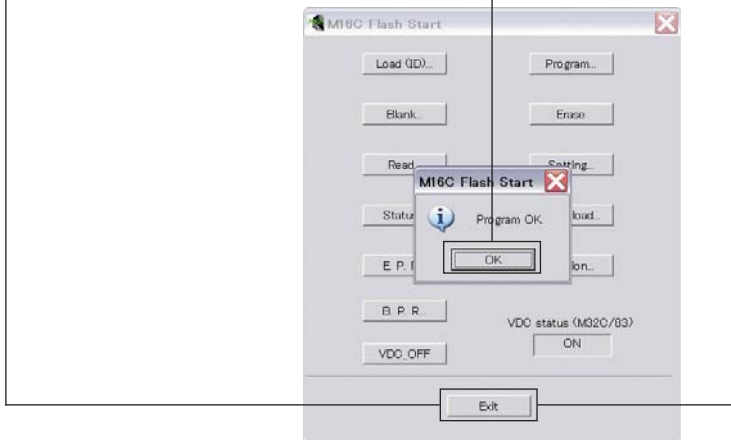


Fig. 6

Updating the Wireless Module Firmware and the AirWired microprocessor Firmware

● Connection

- * Disconnect the power cable of this unit from the AC outlet.
- Remove the side cover R. (See “DISASSEMBLY PROCEDURES”)
- Connect the writing port (CB606 of CONNECTOR P.C.B.) of this unit to the serial port (RS232C) of the PC with RS232C cross cable, RS232C conversion adaptor and flexible flat cable as shown below. (Fig. 1)
- Set the switch (SW7) of RS232C conversion adaptor to the “FLASH UCOM” position. (Fig. 1)

ワイヤレスモジュールファームウェアと AirWired マイコンファームウェアのアップデート

● 接続

- ※ 本機の電源コードを AC コンセントから抜いてください。
- サイドカバー R を取り外します。(「分解手順」参照)
- 本機の書き込み用ポート (CONNECTOR P.C.B. の CB606) と PC のシリアルポート (RS232C) を下記のように接続します。(Fig. 1)
- RS232C 変換アダプターのスイッチ (SW7) を “FLASH UCOM” 側に設定します。(Fig. 1)

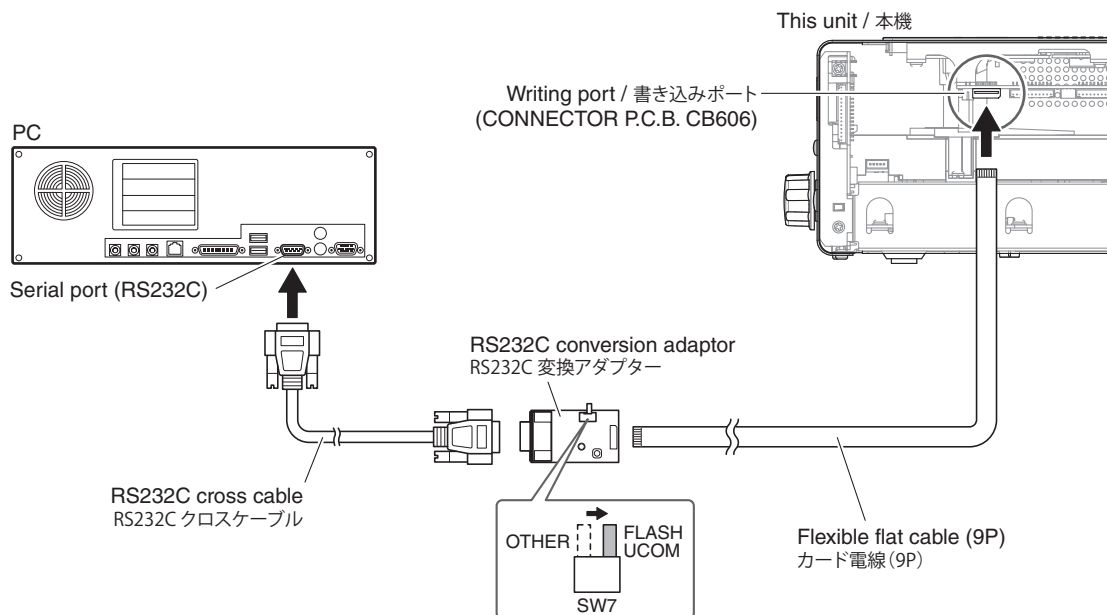


Fig. 1

● Operation procedure

CAUTION: Perform “Writing the wireless module firmware” 1st and “Writing the AirWired Microprocessor Firmware” 2nd, otherwise this unit will not operate properly.

Perform the following procedures.

- Ⓐ Writing the wireless module firmware
Step 1 to 5, 6-A, 7 to 13, 14-A
- Ⓑ Writing the AirWired microprocessor firmware
Step 1 to 5, 6-B, 7 to 13, 14-B

1. Connect the flexible flat cable to the writing port of this unit. (See “Connection”)
2. Connect the power cable of this unit to the AC outlet.
3. Start up the self-diagnostic function and select “B-2. AW UG READY” sub-menu. (See “SELF-DIAGNOSTIC FUNCTION”)



4. Start up FlashSta.exe.
The screen appears as shown below. (Fig. 2)
5. Select the data to be transmitted and port. (Fig. 2)
 - **Select Program**
Select Internal flash memory.
 - **RS232C**
Select the port of RS-232C
 - * For selection of the port, COM1 to 4 can be used.
 - As COM5 or higher port cannot be used, select out of COM 1 to 4 of the setting on the PC side.

● 操作方法

注意：先に「Ⓐ ワイヤレスモジュールファームウェアの書き込み」を、次に「Ⓑ AirWired マイコンファームウェアの書き込み」を行います。そうしないと、本機は正常に動作しません。

下記の順番で操作を行ってください。

- Ⓐ ワイヤレスモジュールファームウェアの書き込み
ステップ 1～5、6-A、7～13、14-A
- Ⓑ AirWired マイコンファームウェアの書き込み
ステップ 1～5、6-B、7～13、14-B

1. 本機の書き込み用ポートにカード電線を接続します。(「接続」参照)
2. 本機の電源コードを AC コンセントに接続します。
3. ダイアグを起動し、サブメニュー “B-2. AW UG READY” を選択します。(「ダイアグ」参照)

4. FlashSta.exe を起動します。
下記の画面が表示されます。(Fig. 2)
5. 送信データ、ポートを選択します。(Fig. 2)
 - **Select Program**
Internal flash memory を選択します。
 - **RS232C**
接続している RS-232 C ポートを選択します。
※ ポートの選択は COM1 ～ 4 ままで使用できません。COM5 以上は使用できませんので、PC 側の設定で COM1 ～ 4 を選択してください。

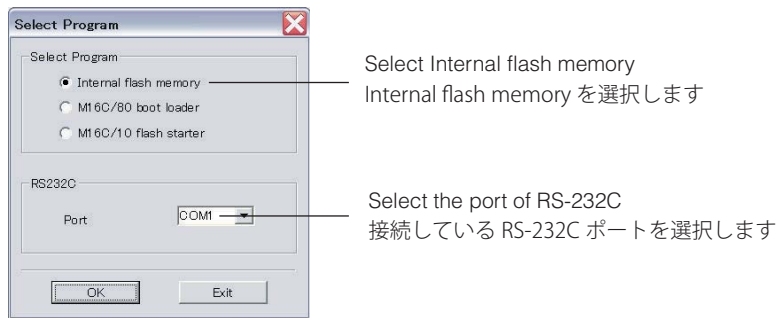


Fig. 2

* If the "Timeout" error screen appears, press the "reset switch (SW3)" of the RS232C conversion adaptor and click [OK], and "Set baud rate" screen appears. (Fig. 3)

※ もしタイムアウトエラーが表示された場合、RS232C変換アダプターの"リセットスイッチ (SW3)"を押して [OK] をクリックします。

Click [OK]. (Fig. 3)

すると通信速度の設定画面が開きます。(Fig. 3)

[OK] をクリックします。(Fig. 3)

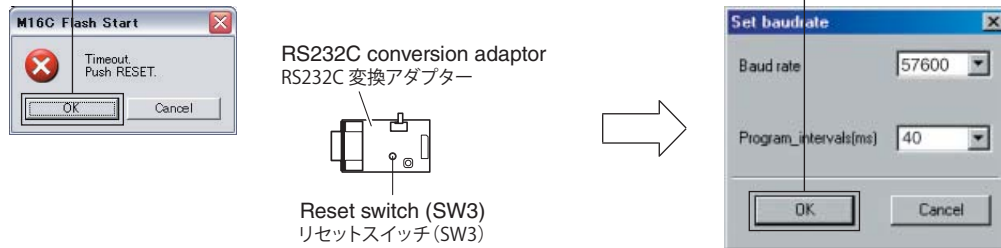


Fig. 3

6. Click [Refer...] and select the firmware name. (Fig. 4)

6. [Refer...] をクリックし、書き込むファームウェアを選択します。(Fig. 4)

6-A uaw_firmup_xxxx.mot
6-B uaw_card_xxxx.mot

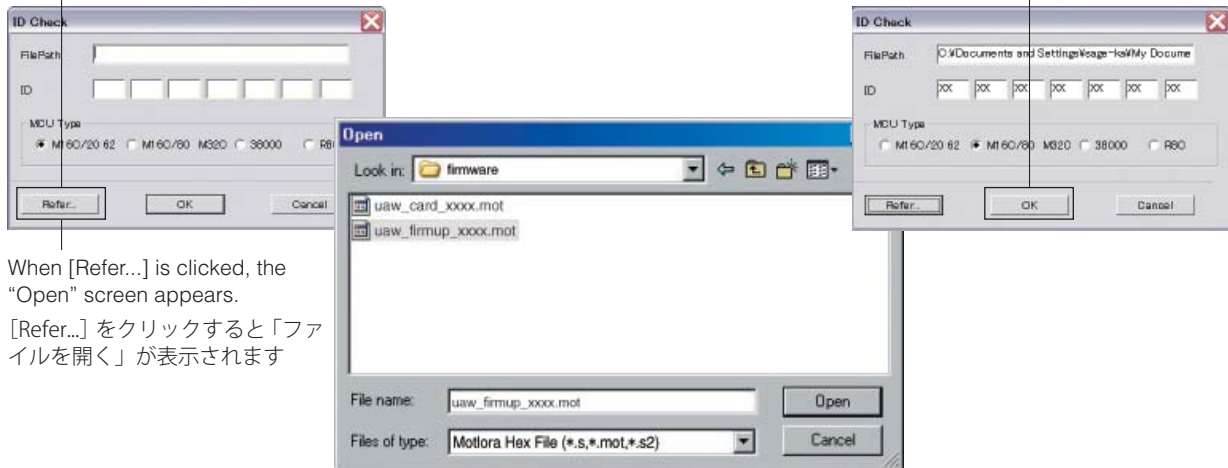
6-A uaw_firmup_xxxx.mot
6-B uaw_card_xxxx.mot

* The ID code and MCU type are loaded automatically when the file is selected. (Fig. 4)

※ ID、および MCU Type は書き込みファイル選択後、自動的に取り込まれます。(Fig. 4)

Click [OK]. (Fig. 4)

[OK] をクリックします。(Fig. 4)



When [Refer...] is clicked, the "Open" screen appears.

[Refer...] をクリックすると「ファイルを開く」が表示されます

Fig. 4

7. Click [Setting], and set the baud rate. (Fig. 5)

7. [Setting] をクリックし、通信速度の設定を行います。(Fig. 5)

* Reduce the baud rate if a transmission error occurs frequently.

※ 送信エラーが多発する場合は、通信速度を下げてください。

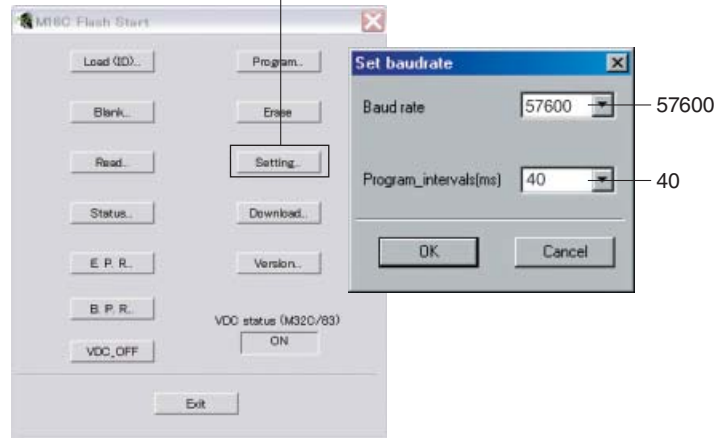


Fig. 5

8. Click [E.P.R.], then the "Erase" screen appears. (Fig. 6)

8. [E.P.R.] をクリックすると、「Erase」が表示されます。(Fig. 6)

9. Click [OK] to start writing. (Fig. 6)

9. [OK] をクリックし、書き込みを開始します。(Fig. 6)

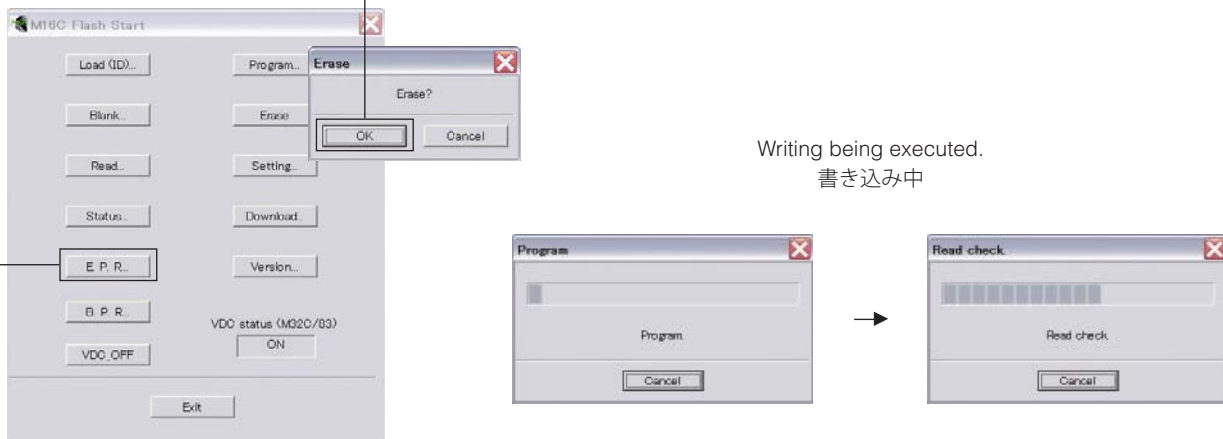


Fig. 6

10. When writing of the firmware is completed, the screen appears as shown below. (Fig. 7)
Click [OK]. (Fig. 7)

10. ファームウェアの書き込みが完了すると、以下の画面が表示されます。(Fig. 7)
[OK] をクリックします。(Fig. 7)

11. Click [Exit] to end FlashSta.exe. (Fig. 7)

11. [Exit] をクリックして FlashSta.exe を終了します。(Fig. 7)

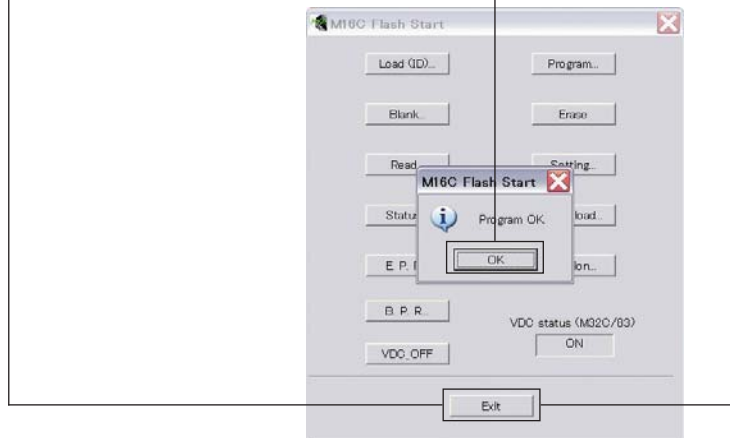


Fig. 7

12. Press the “ ϕ ” (Standby/On) key to turn off the power.

12. 本機の “ ϕ ” (スタンバイ/オン) キーを押して電源を切ります。

13. Remove the RS232C conversion adaptor and flexible flat cable from the writing port (CB606 of CONNECTOR P.C.B.) of this unit.

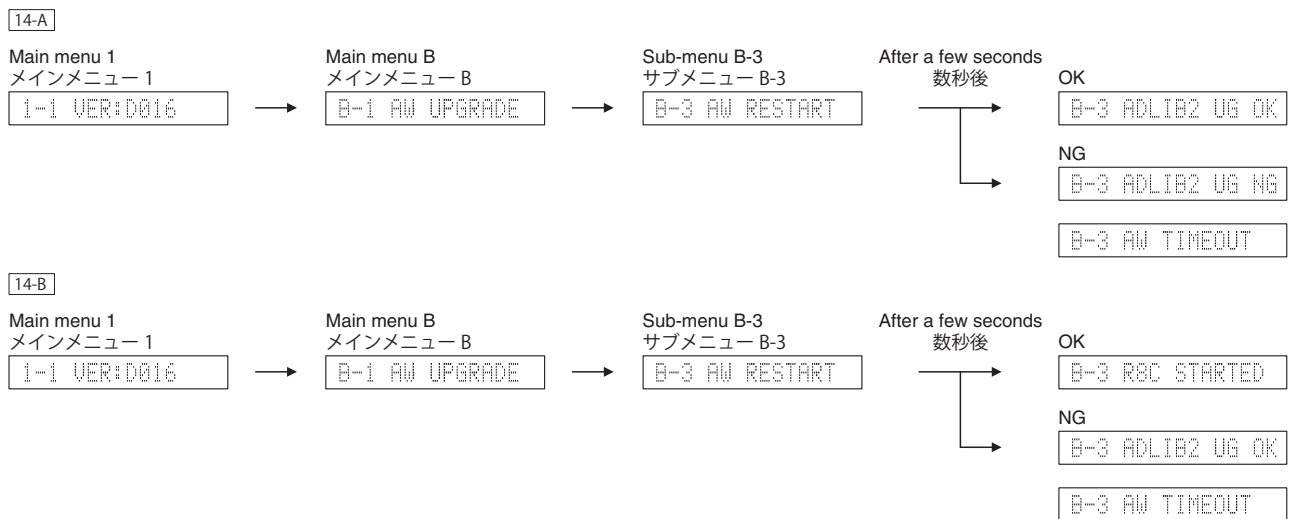
13. 本機の手書き用ポート (CONNECTOR P.C.B. の CB606) から RS232C 変換アダプターとカード電線を取り外します。

14. Start up the self-diagnostic function and select “B-3 AW RESTART” sub-menu. (See “SELF-DIAGNOSTIC FUNCTION”)

14. ダイアグを起動し、サブメニュー “B-3 AW RESTART” を選択します。(「ダイアグ」参照)

The result of writing, OK or NG, is displayed as shown below.

書き込みの結果が、以下のように表示されます。



* When NG, perform “Operation procedures” again from the beginning.

※ NG の場合、「操作方法」を最初からやり直してください。

CRX-040/CRX-140/NS-BP80

■ SELF-DIAGNOSTIC FUNCTION / ダイアグ (自己診断機能)

There are 12 main menu items, each of which has sub-menu items.

メインメニューは12個あり、そのそれぞれにサブメニューがあります。

Listed in the table below are main menu items and sub-menu items.

下表はメニュー一覧です。

MAIN MENU		SUB-MENU	
1	ROM VER/SUM	1	MAIN MICROPROCESSOR VERSION
		2	MAIN MICROPROCESSOR CHECKSUM
		3	CD IC VERSION
		4	USB IC VERSION
		5	AirWired MICROPROCESSOR VERSION
		6	AirWired WIRELESS MODULE VERSION
		7	DAB VERSION (A, B models)
2	AUDIO TEST	1	iPod
		2	PORTABLE
		3	TUNER
		4	CD
		5	USB
3	FL CHECK	1	FL CHECK
		2	ALL SEGMENTS OFF
		3	ALL SEGMENTS ON
		4	DIMMER 50%
		5	CHECK LATTICE PATTERN 1
		6	CHECK LATTICE PATTERN 2
4	iPod (CRX-040)	1	CONNECTION CHECK / UART LOOPBACK TEST
5	MAIN P.C.B. CHECK	1	ALL CHECK
		2	I2C CHECK
		3	SUB-CLOCK CHECK
6	CD CHECK	1	LAZER DIODE CHECK
		2	SPINDLE MOTER CHECK
		3	FEED MOTER CHECK
		4	FOCUS CHECK
		5	TRACKING CHECK
		6	C1 ERROR
		7	C2 ERROR
		8	CD IC UPGRADE (Not applied to this model / このモデルには適応されません)
7	AD DATA CHECK	1	PS1
		2	PS2
		3	PS3
		4	MODEL
		5	DESTINATION
		6	PANEL KEY
8	PROTECTION HISTORY	1	LAST
		2	HISTORY 1
		3	HISTORY 2
		4	HISTORY 3
9	SET INFORMATION	1	MODEL
		2	DESTINATION
A	SOFT SW	1	SW MODE
		2	DESTINATION
B	AirWired UPGRADE	1	AirWired UPGRADE MENU
		2	AirWired UPGRADE READY
		3	AirWired UPGRADE RESTART
C	FACTORY PRESET	1	PRESET INH
		2	PRESET RSRV

CRX-040/CRX-140/
NS-BP80

● Starting Self-Diagnostic Function

While pressing the "INPUT" and "▶/⏸" (Play/Pause) keys of this unit as shown in the figure below, press the "⏻" (Standby/On) key to turn on the power.

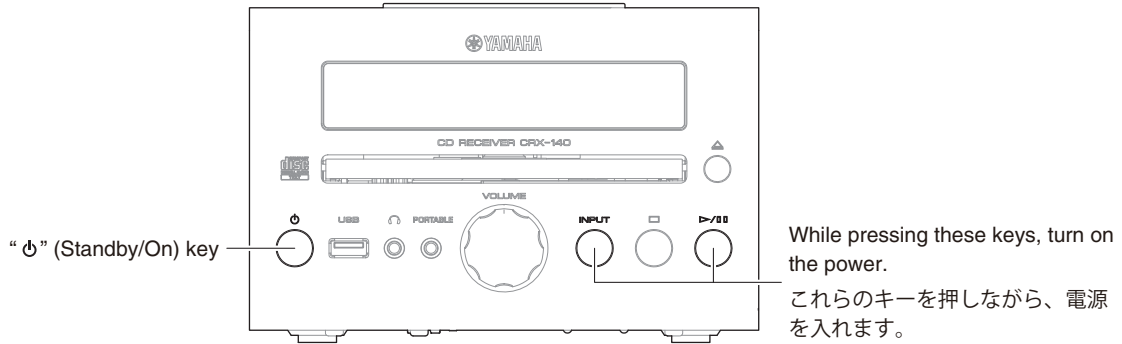
The self-diagnostic function mode is activated.

● ダイアグの起動

"INPUT"と"▶/⏸" (再生/一時停止) キーを押しながら"⏻" (スタンバイ/オン) キーを押して電源を入れます。

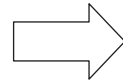
ダイアグが起動します。

Keys of this unit / 本機キー



Display / ディスプレイ表示

Opening message / オープニング表示



Main menu display / メインメニュー表示



After a few seconds / 数秒後

● Starting Self-diagnostic function in the protection cancel mode

If the protection function works and causes hindrance to trouble shoot, cancel the protection function as described below, and it will be possible to enter the self-diagnostic function mode.

While pressing "INPUT" and "▶/⏸" (Play/Pause) keys as shown in the figure above, press the "⏻" (Standby/On) key to turn on the power and keep pressing those 2 keys for 3 seconds or longer.

The self-diagnostic function mode is activated with the protection functions disabled.

● プロテクション解除モードでの起動

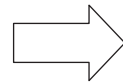
プロテクションが動作することにより、故障箇所の診断に支障をきたすような場合は、次の方法によりプロテクションを解除した状態でダイアグモードに入ることができます。

上図に示す"INPUT"と"▶/⏸" (再生/一時停止) キーを押しながら"⏻" (スタンバイ/オン) キーを押して電源を入れ、2つのキーを3秒以上押し続けます。

プロテクション解除モードでダイアグが起動します。

Display / ディスプレイ表示

Opening message / オープニング表示



Main menu display / メインメニュー表示



After a few seconds / 数秒後

"SLEEP" segment
"SLEEP"セグメント

In this mode, the "SLEEP" segment of the FL display of this unit flashes to indicate that the mode is self-diagnostic function mode with the protection functions disabled.

このモードでは本機FLの"SLEEP"セグメントが点滅し、プロテクションを解除した状態でのダイアグモードであることを知らせます。

CAUTION!

Using this product with the protection function disabled may cause further damage to itself. Use special care when using this mode.

注意！

プロテクションを解除した状態でのダイアグモードは、危険な状態でもプロテクションが作動しないため、動作させると、機器を破壊することがあります。このモードを使用する場合は十分注意してください。

● **Canceling Self-diagnostic function**

1. Before canceling self-diagnostic function, execute setting for FACTORY PRESET of main menu No. C (Memory initialization inhibited or Memory initialized).
 - * In order to keep the user memory preserved, be sure to select INIT INH (Memory initialization inhibited).
2. Press the “ ϕ ” (Standby/On) key of this unit to turn off the power.

● **ダイアグの解除**

1. ダイアグを解除する前に、メインメニュー No. C の FACTORY PRESET (メモリーの初期化禁止/またはメモリーの初期化) の設定をします。
 - ※ ユーザーメモリーを保持したい場合は、必ず INIT INH (メモリー初期化禁止) を選択してください。
2. リモコンの “ ϕ ” (スタンバイ/オン) キーを押して電源を切ります。

● **Display provided when Self-diagnostic function started**

The FL display of this unit displays the protection function history data then the main menu (sub-menu 1-1 MAIN MICROPROCESSOR VERSION of main menu No. 1 ROM VER/SUM) a few seconds later.

● **ダイアグ起動時の表示**

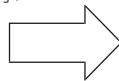
本機の FL ディスプレイにプロテクション履歴情報が表示されます。数秒後、メインメニュー No. 1 「ROM VER/SUM」のサブメニュー「1-1 MAIN MICROPROCESSOR VERSION」が表示されます。

Display / ディスプレイ表示

When there is no history of protection function:

Opening message / オープニング表示

No Protection



After a few seconds / 数秒後

プロテクション履歴がない場合：

Main menu display / メインメニュー表示

1-1 VER:D016

When there is a history of protection function:

When the protection function worked due to a short between speaker terminals.

プロテクション履歴がある場合：

スピーカー端子間のショートによりプロテクションが働いた場合

D-AMP Error

When the protection function worked due to abnormal voltage in the power supply section.

電源部の電圧異常によりプロテクションが働いた場合

PSx (AD:xxx L)

A/D conversion value of voltage
電圧の A/D 変換値

- H: When the upper limit of the protection function is exceeded. プロテクションの上限を超えた場合
- L: When the lower limit of the protection function is exceeded. プロテクションの下限を超えた場合

For details of protection functions, refer to the main menu No. 7 AD DATA CHECK.

プロテクションの詳細は、メインメニュー No. 7 AD DATA CHECK を参照してください。

● History of protection function

When the protection function has worked, its history is stored in memory with a backup. Even if no abnormality is noted while servicing the unit, an abnormality which has occurred previously can be defined as long as the backup data has been stored.

The history of the protection function will be initialized when self-diagnostic function is cancelled by selecting No. C-2 PRESET RSRV (Memory initialized) or when the backup data is erased.

● Operation procedure of Main menu and Sub-menu

There are 12 main menu items, each of them having sub-menu items.

Main menu selection

Select the main menu using “▲” (Forward) and “▲” (Reverse) keys on the remote control.

Sub-menu selection

Select the sub-menu using “ENTER” (Forward) and “▲” (MENU)” (Reverse) keys on the remote control.

● プロテクションの履歴

プロテクションが働いた場合、履歴をバックアップして記憶しています。修理のときに異常が認められなくても、バックアップが残っていれば、お客様のところで起きた異常を区別できます。

メインメニュー No. C-2 RESET RSRV (メモリーの初期化)を選んでダイアグを解除した場合、またはバックアップが消えた場合に、プロテクションの履歴は初期化されます。

● メインメニューとサブメニューの操作

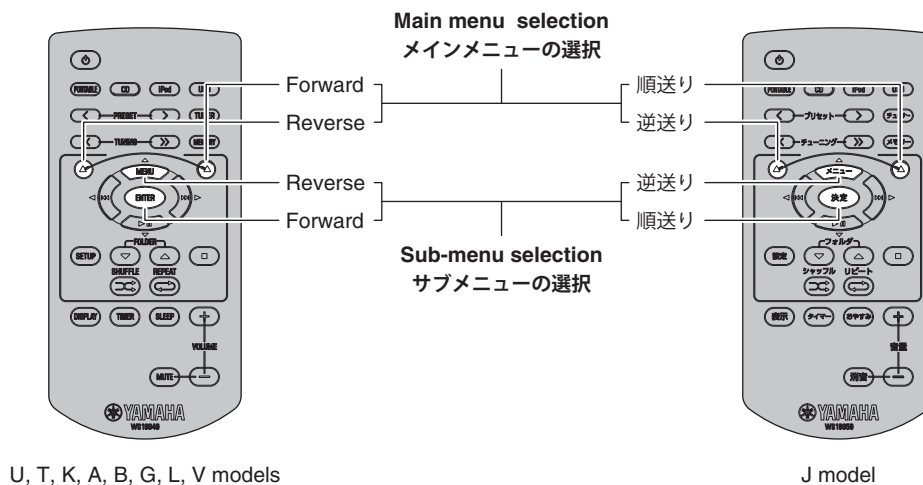
ダイアグには 12 のメインメニューがあり、そのそれぞれにサブメニューがあります。

メインメニューの選択

リモコンの“▲” (順送り)、“▲” (逆送り) キーで選択します。

サブメニューの選択

リモコンの“決定” (順送り)、“▲” (メニュー)” (逆送り) キーで選択します。



● Functions in Self-Diagnostic Function mode

In addition to the self-diagnostic function menu items, functions listed below are available.

- Power on/off
- Master volume
- Muting
- Disc tray open/close

● Initial settings used to start Self-Diagnostic Function

The following initial settings are used when starting self-diagnostic function.

Master volume: 25

- * When self-diagnostic function is canceled, these settings are restored to those before starting self-diagnostic function.

● ダイアグ中の機能

ダイアグメニューの他に、以下の機能が動作します。

- 電源オン/オフ
- マスターボリューム
- ミュート
- ディスクトレイの開閉

● ダイアグ開始時の初期設定

ダイアグ開始時に以下のような設定になります。

マスターボリューム：25

- ※ ダイアグ解除時にはダイアグ開始前の状態に戻りません。

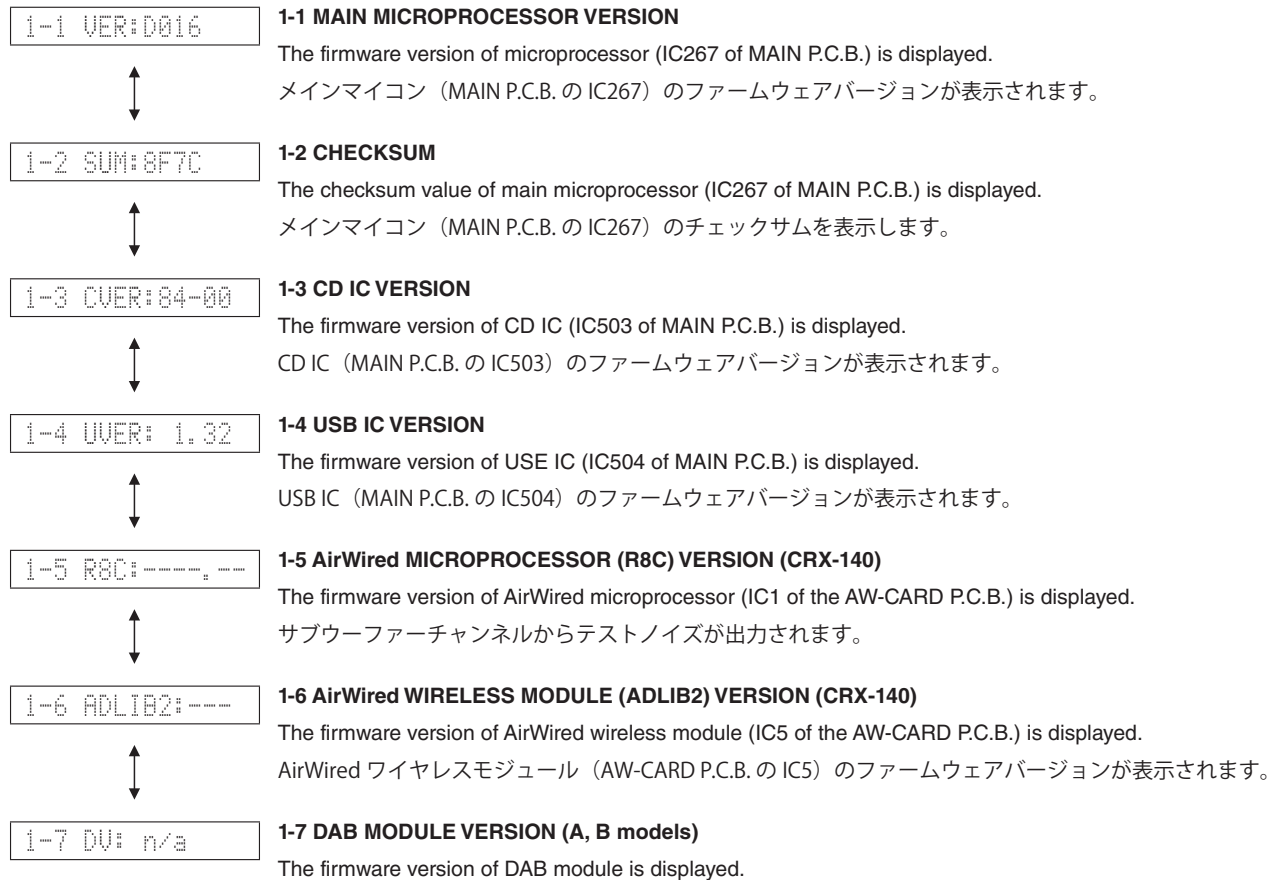
● Details of Self-Diagnostic Function menu

1. MICROPROCESSOR INFORMATION

This menu is used to display the firmware version and checksum.

The checksum is obtained by adding the data at every 8-bit for each program area and expressing the result as a 4-figure hexadecimal data.

* Numeric values in the figure example are for reference.



● ダイアグメニュー詳細

1. MICROPROCESSOR INFORMATION

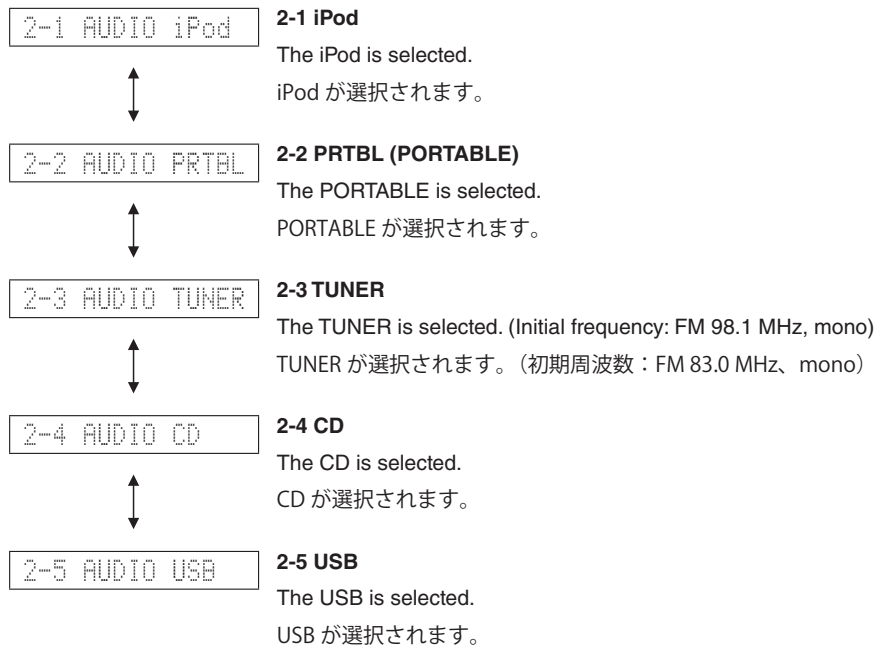
ファームウェアバージョン、チェックサムが表示されます。

チェックサムは、プログラムエリア別にデータを8ビットごとに加算していき、4桁の16進データで現したものです。

※ 図中の数値は参考例です。

2. AUDIO TEST

This menu is used to select the input source.



2. AUDIO TEST

入力ソースを選択します。

- * Reproduced at this time is the 1st music file in the USB storage device connected to the USB terminal of this unit.
 - a. Copy 2 or more music files from PC to the root folder of the USB storage device.
 - b. Insert the USB storage device to the USB terminal of this unit.
- ※ 本機の USB 端子に接続された USB フラッシュメモリーの音楽ファイルの 1 曲目を再生します。
 - a. USB フラッシュメモリーのルートフォルダに (PC から) 音楽ファイルを 2 曲以上コピーします。
 - b. USB フラッシュメモリーを本機の USB 端子に接続します。

3. FL DISPLAY CHECK

This menu is used to check the FL display section.

Using the sub-menu, the display condition changes as shown below.



3-1 Initial display / 初期表示



3-2 ALL SEGMENTS OFF / 全セグメント消灯



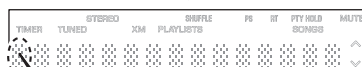
3-3 ALL SEGMENTS ON / 全セグメント点灯



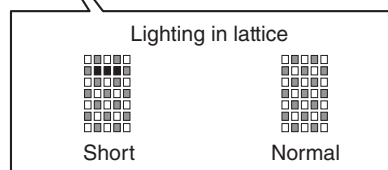
3-4 DIMMER 50% / デイマー 50%



3-5 LATTICE PATTERN 1 / 格子状パターン1点灯



3-6 LATTICE PATTERN 2 / 格子状パターン2点灯



Segment conditions of the FL driver and the FL tube are checked by turning ON and OFF all segments.

Next, the operation of the FL driver is checked by using the dimmer control. Then a short between segments next to each other is checked by turning ON and OFF all segments alternately (in lattice).

(In the above example, the segments in the second row from the top are shorted.)

3. FL DISPLAY CHECK

FL 表示部の動作を確認します。

サブメニュー操作により、表示状態が以下のように変わります。

全セグメント消灯・全セグメント点灯により FL ドライバー、FL 管のセグメントの不良を確認します。

次に、デイマーコントロールによって FL ドライバーの動作チェックを行います。さらに全セグメントを交互（格子状）に点灯／消灯することで、隣り合うセグメントのショートをチェックします。

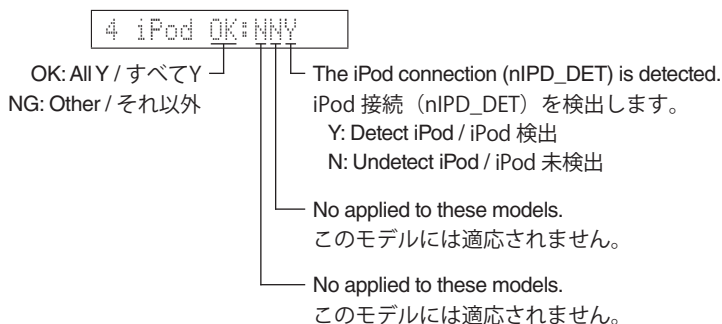
(上記の例は、上から 2 列目のセグメントがショートしています。)

4. iPod (CRX-040)

This menu is used to check the connecting condition of the iPod terminal.
 Before starting check, connect the iPod to the iPod terminal of this unit.

4. iPod (CRX-040)

iPod 端子の接続状態を確認します。
 iPod を本機の iPod 端子に接続します。

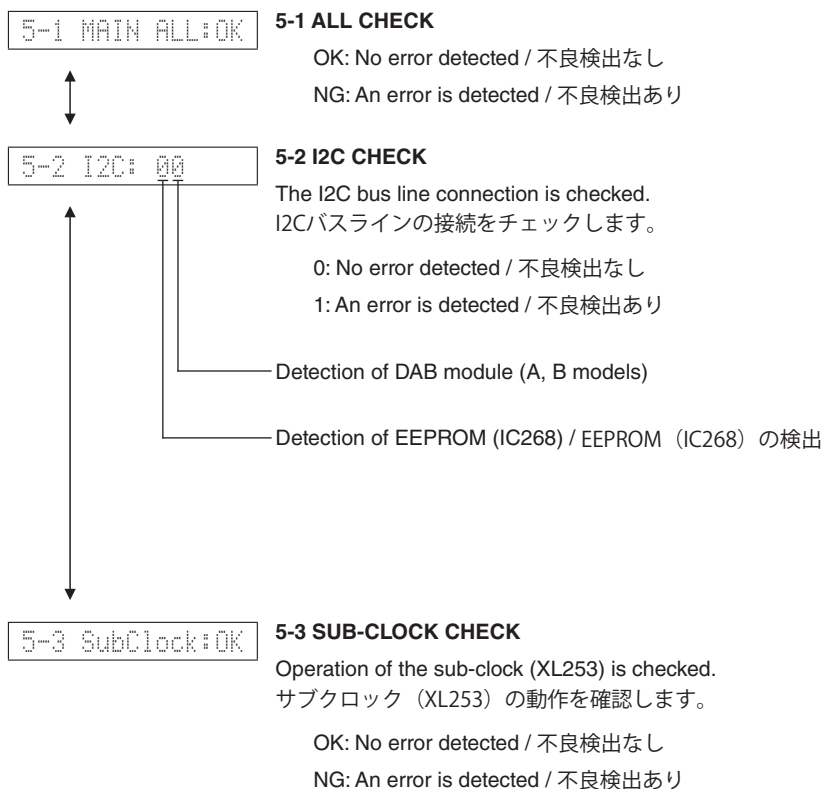


5. MAIN P.C.B. CHECK

This menu is used to check operation of the MAIN P.C.B..

5. MAIN P.C.B. CHECK

MAIN P.C.B. の動作を確認します。



CRX-040/CRX-140/
NS-BP80

6. CD CHECK

This menu is used to check operation of the loader mechanism unit.

Select sub-menu and press the "▶/■" (Play/Pause) key to change operation mode.

6. CD CHECK

ローダーメカユニットの動作を確認します。

サブメニュー選択後、“▶/■”（再生/一時停止）を押して動作モードを切り替えます。

6-1 CD LD:OFF	<p>6-1 LASER DIODE CHECK ON/OFF of the laser diode is checked. レーザーダイオードの ON/OFF を確認します。 ON / OFF</p>
↑↓	
6-2 CD SPM:FREE	<p>6-2 SPINDLE MOTOR CHECK Move of the spindle motor is checked. スピンドルモーターの動作を確認します。 FREE (OFF) / ACC (ON)</p>
↑↓	
6-3 CD FEED:---	<p>6-3 FEED MOTOR CHECK Move of the feed motor is checked. フィードモーターの動作を確認します。 --- (OFF) / OUT (Outside) / --- (OFF) / IN (Inside)</p>
↑↓	
6-4 CD FOCUS:--	<p>6-4 FOCUS CHECK Focusing move of the lens is checked. レンズのフォーカス動作を確認します。 -- (OFF) / FS (Focus up)</p>
↑↓	
6-5 CD TRKG:----	<p>6-5 TRACKING CHECK Tracking move of the lens is checked. レンズのトラッキング動作を確認します。 -- (OFF) / TE (ON)</p>
↑↓	
6-6 CD C1E:-----	<p>6-6 C1 ERROR The C1 error is displayed. C1 エラーが表示されます。</p>
↑↓	
6-7 CD C2E:-----	<p>6-7 C2 ERROR The C2 error is displayed. C2 エラーが表示されます。</p>
↑↓	
6-8 CD UPG:----	<p>6-8 CD IC UPGRADE Not applied to this model. このモデルには適応されません。</p>

7. AD DATA CHECK

This menu is used to display the A/D conversion value of the microprocessor which detects panel keys of this unit and protection functions by using the sub-menu.

7-1 PS1

Power supply voltage detection

(+12, +9.5T, +3.3M, -21D)

Normal value: 85 to 195

(Reference voltage: 3.3 V = 255)

- * If PS1 becomes out of the normal value range, the protection function works to turn off the power.

7-1 PS1: 146

7-2 PS2

Power supply voltage detection

(+7.2MTR, +3.3D1, +3.3ABASE,
+5.1IPOD, -21D)

Normal value: 57 to 99 (iPod not connection)

96 to 144 (iPod connection)

(Reference voltage: 3.3 V = 255)

- * If PS2 becomes out of the normal value range, the protection function works to turn off the power.

7-2 PS2: 118

7-3 PS3

Power supply voltage detection

(+15FL, +10HP)

Normal value: 131 to 226

(Reference voltage: 3.3 V = 255)

- * If PS3 becomes out of the normal value range, the protection function works to turn off the power.

7-3 PS3: 199

7. AD DATA CHECK

本機パネルキー、プロテクションなどを検出しているメインマイコンの A/D 変換の値を、サブメニューで表示します。

7-1 PS1

電源電圧の検出

(+12A, +9.5T, -21D)

正常値：85 ～ 195

(基準電圧：3.3 V = 255)

- ※ PS1 が正常値を外れるとプロテクションが働き、電源が切れます。

7-2 PS2

電源電圧の検出

(+7.2MTR, +3.3D1, +3.3ABASE,
+5.1IPOD, -21D)

正常値：57 ～ 99 (iPod 未接続時)

96 ～ 144 (iPod 接続時)

(基準電圧：3.3 V = 255)

- ※ PS2 が正常値を外れるとプロテクションが働き、電源が切れます。

7-3 PS3

電源電圧の検出

(+15FL, +10HP)

正常値：131 ～ 226

(基準電圧：3.3 V = 255)

- ※ PS3 が正常値を外れるとプロテクションが働き、電源が切れます。

7-4 MODEL

The voltage at 92 pin (MODEL) of main microprocessor IC267 is displayed.

CRX-040: 0 to 50

CRX-140: 205 to 255

(Reference voltage: 3.3V=255)

7-4 MODEL

メインマイコン (IC267) の 92 ピン (MODEL) の電圧値を表示します。

CRX-040 : 0 ~ 50

CRX-140 : 205 ~ 255

(基準電圧 : 3.3 V = 255)

7-4 MODEL: 248

Model detection for AD port

Ohm (R407)	-	100k
Ohm (R408)	100k	-
V	0 - 0.6	2.6 - 3.3
A/D value (3.3 V = 255)	0 - 50	205 - 255
MODEL (92 pin)	CRX-040	CRX-140

7-5 DESTINATION

The voltage at 93 pin (DEST) of main microprocessor IC267 is displayed.

(Reference voltage: 3.3 V = 255)

7-5 DESTINATION

メインマイコン (IC267) の 93 ピン (DEST) の電圧値を表示します。

(基準電圧 : 3.3 V = 255)

7-5 DEST: 210

Destination detection for A/D port

Destination (A/D) pull-up resistance 47 k-ohms

Ohm (R405)	4.7k	18k	47k	82k	220k	-
V	0 - 0.5	0.6 - 1.2	1.3 - 1.8	1.9 - 2.4	2.5 - 3.0	3.1 - 3.3
A/D value (3.3 V = 255)	0 - 45	46 - 98	99 - 145	146 - 187	188 - 235	236 - 255
DEST (93 pin)	B	A	J	U	G	T, K, L, V

7-6 PANEL KEY

The voltage at 97 pin (KEY0) of main microprocessor IC267 is displayed.

(Reference voltage: 3.3 V = 255)

When the A/D value of the panel key becomes out of the specified range, normal operation will not be available.

In this case, check the constant of voltage dividing resistor, solder condition, etc. Refer to table below.

7-6 PANEL KEY

メインマイコン (IC267) の 97 ピン (KEY0) の電圧値を表示します。

(基準電圧 : 3.3 V = 255)

パネルキーの A/D 値が規定範囲から外れると、正常な動きをしません。

下表をご覧になり、各キーの分圧抵抗の定数、ハンダ不良等の確認をしてください。

7-6 KEY: 255

Key detection for A/D port

Key input (A/D) pull-up resistance 10 k-ohms

Ohm	0	+ 6.8k	+ 2.7k	+ 5.5k (15k)	+ 18k	+ 18k
V	0 - 0.6	0.7 - 1.6	1.7 - 2.2	2.3 - 2.6	2.7 - 3.1	2.7 - 3.1
A/D value (3.3 V = 255)	0 - 51	52 - 131	132 - 176	177 - 206	207 - 237	207 - 237
KEY0 (97 pin)	OPEN/CLOSE	STOP	-	INPUT	PLAY/PAUSE	PLAY/PAUSE

CRX-040/CRX-140/
NS-BP80

8. PROTECTION HISTORY

This menu is used to display the history of protection function.

Select sub-menu and press the “▶/■” (Play/Pause) key on the remote control, then the history will be initialized.

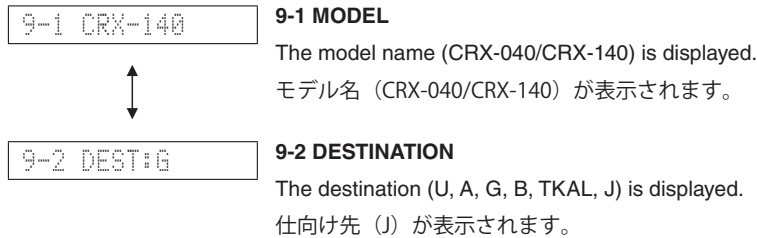


8. PROTECTION HISTORY

プロテクション履歴が表示されます。
サブメニューを選んだ後、リモコンの“▶/■”（再生 / 一時停止）キーを押すと履歴は初期化されます。

9. SET INFORMATION

This menu is used to display the model name and destination.



9. SET INFORMATION

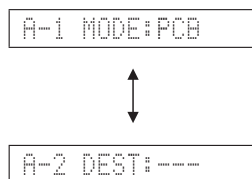
モデル名、仕向け先が表示されます。

A. SOFT SW

Not applied to this model.

A. SOFT SW

このモデルには適応されません。



B. AirWired UPGRADE (CRX-140)

This menu is used to select the AirWired UPGRADE menu.

B-1 AW UPGRADE



B-2 AW UG READY



B-3 AW RESTART

B-1 AirWired UPGRADE MENU

The "AirWired UPGRADE" menu is displayed.

"AirWired UPGRADE" メニューが表示されます。

B-2 AirWired UPGRADE READY

The wireless module and AirWired microprocessor are in the writing mode.

ワイヤレスモジュールと AirWired マイコンが書き込みモードになります。

B-3 AirWired UPGRADE RESTART

This menu is used to write the wireless module firmware and restart the AirWired microprocessor.

ワイヤレスモジュールファームウェアの書き込みと AirWired マイコンの再起動を行います。

Write the wireless module firmware and execute this menu. Then writing the firmware to the wireless module is started inside the AW CARD P.C.B..

When writing the firmware to the wireless module is completed, the screen appears as shown below.

ワイヤレスモジュールファームウェアの書き込みを行った後、このメニューを実行すると AW CARD P.C.B. 内部でワイヤレスモジュールへの書き込みが開始されます。

ワイヤレスモジュールへの書き込みが完了すると、以下のように表示されます。

B-3 AW RESTART



B-3 ADLIB2 UG OK

* When "B-3 ADLIB2 UG NG" or "B-3 AW TIMEOUT" is displayed after writing the firmware to the wireless module is completed, perform the "Writing the wireless module firmware" from the beginning.

※ ワイヤレスモジュールへの書き込み完了後、「B-3 ADLIB2 UG NG」または「B-3 AW TIMEOUT」が表示された場合、「ワイヤレスモジュールファームウェアの書き込み」を最初からやり直してください。

Write the AirWired microprocessor firmware and execute this menu. Then the AirWired microprocessor (R8C) restarts.

AirWired マイコンへファームウェアの書き込みを行った後、このメニューを実行すると AirWired マイコン (R8C) を再起動します。

B-3 AW RESTART



B-3 R8C STARTED

* When "B-3 AW TIMEOUT" is displayed after the AirWired microprocessor restarted, perform "Writing the AirWired Microprocessor Firmware" from the beginning.

※ AirWired マイコン (R8C) を再起動後、「B-3 AW TIMEOUT」が表示された場合、「AirWired マイコンファームウェアの書き込み」を最初からやり直してください。

C. FACTORY PRESET

This menu is used to reserve/inhibit initialization of the back-up IC.

C-1 PRESET INH

INIT INHI (Initialization inhibited) / INIT INHI (初期化禁止)

Initialization of the back-up IC is not executed.

Select this sub-menu to protect the values set by the user.

バックアップ IC の初期化は行われません。

ユーザーの設定値を保護するときは、こちらを選択してください。



C-2 PRESET RSRV

INIT RSRV (Initialization reserved) / INIT RSRV (初期化予約)

Initialization of the back-up IC is reserved. (Actually, initialization is executed the next time the power is turned on.)

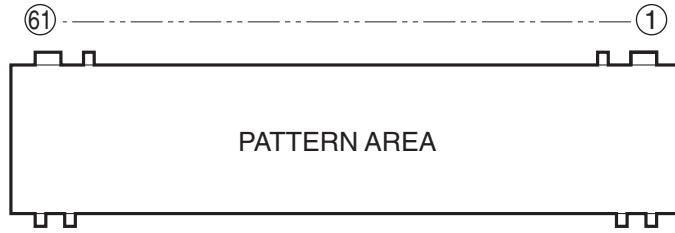
Select this sub-menu to reset to the original factory settings or to reset the backup IC. Any protection history will be cleared.

バックアップ IC の初期化が予約されます。(実際に初期化されるのは、次回の電源投入時です。)

工場出荷時やバックアップ IC をリセットしたいときは、こちらを選択してください。このとき、プロテクション履歴も初期化されます。

■ DISPLAY DATA

● V801 : 16-BT-133GNK (SUB P.C.B.)



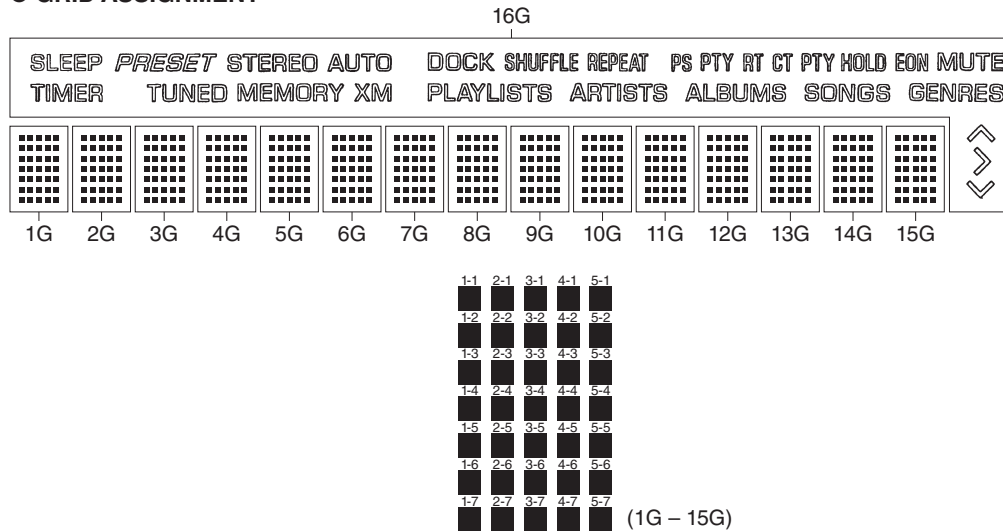
● PIN CONNECTION

Pin No.	40	39	38	37	36	35	34	33	32	31	30	29	28	27	26	25	24	23	22	21	20	19	18	17	16	15	14	13	12	11	10	9	8	7	6	5	4	3	2	1
Connection	P17	P18	P19	P20	P21	P22	P23	P24	P25	P26	P27	P28	P29	P30	P31	P32	P33	P34	P35	NC	16G	15G	14G	13G	12G	11G	10G	9G	8G	7G	6G	5G	4G	3G	2G	1G	NP	NP	NX	F1

Pin No.	60	59	58	57	56	55	54	53	52	51	50	49	48	47	46	45	44	43	42	41
Connection	F2	NX	NP	NP	P1	P2	P3	P4	P5	P6	P7	P8	P9	P10	P11	P12	P13	P14	P15	P16

Note : 1) F1, F2 Filament 2) NP No pin 3) NX No extended Pin 4) 1G – 16G Grid 5) NC No connection

● GRID ASSIGNMENT



● ANODE CONNECTION

	1G – 15G	16G
P1	1-1	SLEEP
P2	2-1	TIMER
P3	3-1	PRESET
P4	4-1	STEREO
P5	5-1	AUTO
P6	1-2	TUNED
P7	2-2	MEMORY
P8	3-2	XM
P9	4-2	DOCK
P10	5-2	SHUFFLE
P11	1-3	REPEAT
P12	2-3	PLAYLISTS

	1G – 15G	16G
P13	3-3	ARTISTS
P14	4-3	PS
P15	5-3	PTY
P16	1-4	RT
P17	2-4	CT
P18	3-4	PTY HOLD
P19	4-4	EON
P20	5-4	MUTE
P21	1-5	ALBUMS
P22	2-5	SONGS
P23	3-5	GENRES
P24	4-5	∧

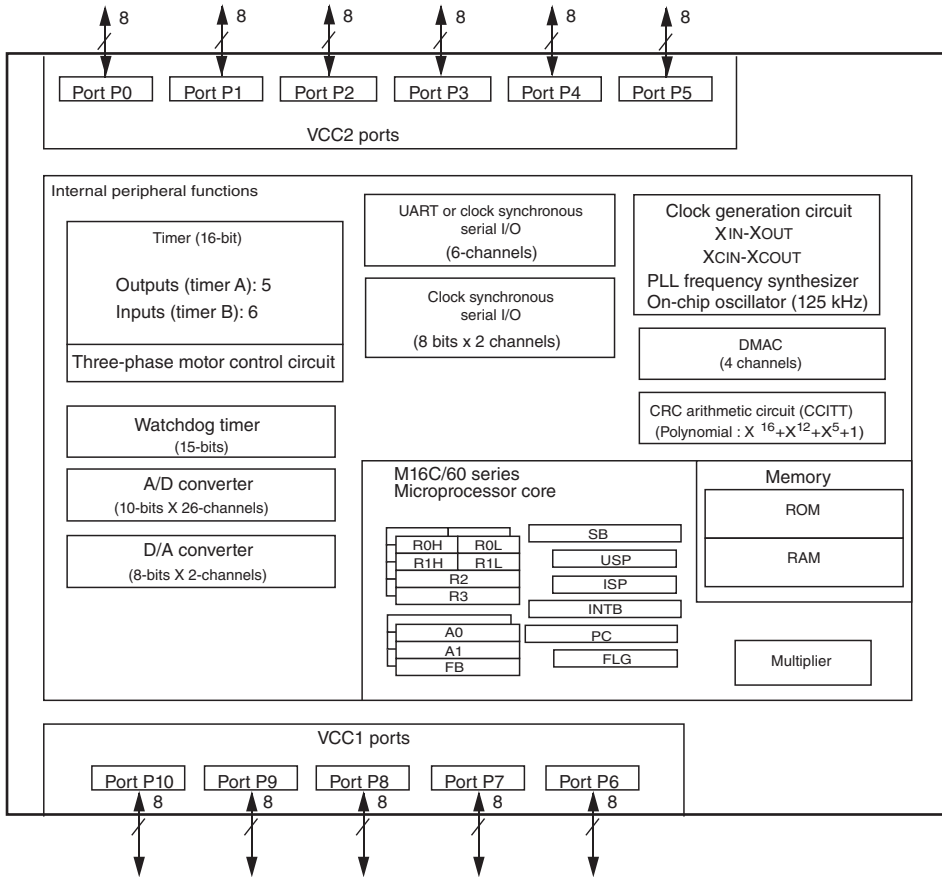
	1G – 15G	16G
P25	5-5	∧
P26	1-6	∨
P27	2-6	–
P28	3-6	–
P29	4-6	–
P30	5-6	–
P31	1-7	–
P32	2-7	–
P33	3-7	–
P34	4-7	–
P35	5-7	–

CRX-040/CRX-140/NS-BP80

IC DATA

IC267: R5F3640DNFA CPU (MAIN P.C.B.)

Single-chip 16-bit CMOS microprocessor



30	EP_SDA	100	TUN_MISO
29	EP_SCL	99	AVcc
28	FL_CLOCK	98	VRef
27	nAMP_SLEEP	97	KEY0
26	AW_REGION	96	AVSS
25	nAMP_PRT	95	PS1_PRT
24	IPD_MOSI	94	PS2_PRT
23	IPD_ACC_EN/AW_CLK	93	DEST
22	IPD_MISO	92	MODEL
21	nAW_CS	91	PS3_PRT
20	PWR_DET	90	(reserved)
19	IPAP_DET/AW_ON	89	(reserved)
18	nIPD_DET/nAW_CASEIN	88	IPD_PON
17	NMI	87	TUN_MUTE
16	VCC	86	nTUN_CS
15	XIN	85	nTUN_TUND
14	VSS	84	TUN_ST
13	XOUT	83	nFL_RST
12	nSYS_RST	82	nFL_CS
11	XCOUT	81	(reserved)
10	XCIN		
9	CVSS		
8	BYTE		
7	RDS_SCK		
6	RDS_MISO		
5	(reserved)		
4	AW_RSV		
3	nAW_RST		
2	TUaFL_SCK		
1	TUaFL_MOSI		
31	DEB_TXD1		
32	DEB_RXD1		
33	DEB_CLK1		
34	DEB_BUSY		
35	ASEL_SDA		
36	ASEL_SCL		
37	USB_DET_OFF		
38	nAMP_MUTE		
39	CLKOUT		
40	PRY_CTRL		
41	nDEB_EMP		
42	RDS_RDY		
43	nRDS_RST		
44	nDAB_RST		
45	nICP_RST		
46	nDEB_CE		
47	CD_MOSI		
48	CD_MISO		
49	CD_SCK		
50	CD_CS		
51	(reserved)		
52	nCD_RST		
53	CD_SPEED		
54	USB_DET		
55	nUSB_PON		
56	nUSB_FLG		
57	nDRV_MUTE		
58	CD_LOAD1		
59	CD_LOAD2		
60	CD_LSW1		
61	CD_LSW0		
62	VCC		
63	(reserved)		
64	VSS		
65	HP_DET		
66	nHP_MUTE		
67	P_SW		
68	USB_IDD_DET		
69	AW_TXRXSEL		
70	AW_MODE		
71	(reserved)		
72	nAW_INT		
73	nAW_LINK		
74	KEY0		
75	REMOTE		
76	VOL_RB		
77	EP_SDA		
78	EP_SCL		
79	(reserved)		
80	VOL_RA		

Pin No.	Port Name	Function Name (P.C.B.)	I/O				Detail of Function
			PowerOn	Standby	Sleep	When power is supplied When writing (debugging)	
1	P96/ANEX1/SOUT4	TUaFL_MOSI	SPI	O	O		SPI for FL control/TUNER control
2	P95/ANEX0/CLK4	TUaFL_SCK	SPI	O	O		SPI for FL control/TUNER control
3	P94/DA1/TB4in		O	O	O		Unused / Buffer executed before uCOM input CRX-040
		nAW_RST	O	O	O		Reset signal of AW module / Buffer executed before uCOM input 0: AW module resetting 1: AW module resetting cancelled CRX-140
4	P93/DA0/TB3in		O	O	O		Unused CRX-040
		AW_RSV	IO	I	I		For future expansion of AW card CRX-140
5	P92/TB2in/SOUT3	(reserved)	SPI	O	O		Unused / Reason: Setting is forced to SOUT terminal of SPI3 (for RDS)
6	P91/TB1in/SIN3	RDS_MISO	SPI	I	I		G model
			O	O	O		U, T, K, A, B, L, V, J models
7	P90/TB0in/CLK3	RDS_SCK	SPI	O	O		G model
			O	O	O		U, T, K, A, B, L, V, J models
8	BYTE	BYTE	MCU	MCU	MCU		
9	CNVss	CNVss	MCU	MCU	MCU		
10	P87/Xcin	Xcin	MCU	MCU	MCU		
11	P86/Xcout	Xcout	MCU	MCU	MCU		
12	/RESET	nSYS_RST	MCU	MCU	MCU		
13	Xout	Xout	MCU	MCU	MCU		
14	Vss	Vss	MCU	MCU	MCU		
15	Xin	Xin	MCU	MCU	MCU		
16	Vcc1	Vcc	MCU	MCU	MCU		
17	P85/NMI	NMI	MCU	MCU	MCU		
18	P84/INT2	nIPD_DET	IRQ	IRQ	IRQ		Detection of inserted iPod 0: iPod inserted 1: iPod not inserted CRX-040
		/nAW_CASEIN	IRQ	IRQ	IRQ		Detection of inserted transmitter 0: Transmitter inserted 1: Transmitter not inserted CRX-140
19	P83/INT1	IPAP_DET	I	I	I		Detection of iPod accessory power / Buffer executed before uCOM input 0: iPod accessory power tuned off 1: iPod accessory power turned on CRX-040
		/AW_ON	I	I	I		AWON signal of AW module / Buffer executed before uCOM input 0: AW module not usable 1: AW module usable (initialization completed) CRX-140
20	P82/INT0	PWR_DET	IRQ	IRQ	IRQ		Detection of connected AC outlet 0: AC outlet disconnected 1: AC outlet connected
21	P81/TA4in/U/CTS5/RTS5		O	O	O		Unused CRX-040
		nAW_CS	O	O	O		nCS signal of SPI for AW module / Applicable SPI is UART5. CRX-140
22	P80/TA4out/U/RXD5/SCL5	IPD_MISO	UART	I	I		UART for iPod / Buffer executed before uCOM input CRX-040
			SPI	I	I		SPI for AirWired / Buffer executed before uCOM input CRX-140
23	P77/TA3in/CLK5	IPD_ACC_EN	O	O	O		Low when in Standby mode and AC OFF Always Hi when in normal mode (communicable with iPod) CRX-040
		/AW_CLK	SPI	O	O		CRX-140
24	P76/TA3out/TXD5/SDA5	IPD_MOSI	UART	O	O		UART for iPod CRX-040
			SPI	O	O		SPI for AirWired CRX-140
25	P75/TA2in/W	nAMP_PRT	IRQ	IRQ	IRQ		D-AMNP protection interrupt / Interrupt masked while in Standby/Sleep mode 0: D-AMP protection interrupt 1: Operating in normal mode
		AW_REGON	O	O	O		CRX-040
26	P74/TA2out/W		O	O	O		ON/OFF control of regulator for AirWired power supply 0: +3.3V power for AirWired turned off 1: +3.3V power for AirWired turned on CRX-140
		nAMP_SLEEP	O	O	O		SLEEP control signal of D-AMP 0: D-AMP Sleep 1: D-AMP Active
27	P73/CTS2/RTS2/TA1in/V	nAMP_SLEEP	O	O	O		
28	P72/CLK2/TA1out/V	FL_CLOCK	TMR	O	O		xxkHz output
29	P71/RXD2/SCL2/TA0in/TB5in	DAB_SCL	I2C	I	I		B model

Pin No.	Port Name	Function Name (P.C.B.)	I/O					Detail of Function
			PowerOn	Standby	Sleep	When power is supplied	When writing (debugging)	
30	P70/TXD2/SDA2/TA0out	DAB_SDA	I2C	I	I			B model
31	P67/TXD1/SDA1	TXD1				O	MCU	
32	P66/RXD1/SCL1	RXD1				O	MCU	
33	P65/CLK1	CLK1				O	MCU	
34	P64/CTS1/RTS1/CTS0/CLKS1	BUSY				O	MCU	
35	P63/TXD0/SDA0	ASEL_SDA	I2C	I	I			
36	P62/RXD0/SCL0	ASEL_SCL	I2C	I	I			
37	P61/CLK0	USB_DET_OFF	O	O	O			
38	P60/CTS0/RTS0	nAMP_MUTE	O	O	O			MUTE control signal of D-AMP 0: D-AMP MUTE 1: D-AMP MUTE cancelled
39	P57/RDY/CLKout	(reserved) CLKOUT	O	O	O			
40	P56/ALE	PRY_CTRL	O	O	O			ON/OFF control of power relay (main transformer) 0: Power relay off 1: Power relay on
41	P55/HOLD	nDEB_EMP				I	[MCU]	
42	P54/HLDA	RDS_RDY	I	I	I			G model
43	P53/BCLK	nRDS_RST	O	O	O			U, T, K, A, B, L, V, J models
			O	O	O			G model
44	P52/RD	nDAB_RST	O	O	O			U, T, K, A, B, L, V, J models
			O	O	O			B model
45	P51/WRH/BHE	nICP_RST	O	O	O			U, T, K, A, G, L, V, J models
			O	O	O			CRX-040
46	P50/WRL/WR	nDEB_CE				I	[MCU]	CRX-140
47	P47/CS3/TXD7/SDA7	CD_MOSI	SPI	SPI	O			
48	P46/CS2/RXD7/SCL7	CD_MISO	SPI	SPI	I			
49	P45/CS1/CLK7	CD_SCK	SPI	SPI	O			
50	P44/CS0/CTS7/RTS7	CD_CS	O	O	O			
51	P43/A19	(reserved)	O	O	O			
52	P42/A18	nCD_RST	O	O	O			
53	P41/A17	CD_SPEED	I	O	O			Forced monoploid speed control of CD, reserve / Set when MATSUSHITA resetting is cancelled; Hi-Z when in normal operation mode, Low when x1 fixed
54	P40/A16	USB_DET	I	I	I			Signal output from MN1
55	P37/A15	nUSB_PON	x	I	I			Enable control of USB high side SW / Control is time-shared by MN1 and SYS_uCOM 0: Enable 1: Disable
56	P36/A14	nUSB_FLG	I	I	I			Current limit detection flag of USB high side SW 0: Current limit detected 1: Operating in normal mode
57	P35/A13	nDRV_MUTE	O	O	O			ON/OFF control of CD motor Driver output 0: All Drive Disable 1: All Drive Enable
58	P34/A12	CD_LOAD1	O	O	O			Selection of CD Loading operation
59	P33/A11	CD_LOAD2	O	O	O			
60	P32/A10	CD_LSW1	I	I	I			
61	P31/A9	CD_LSW0	I	I	I			
62	Vcc2	Vcc	MCU	MCU	MCU			
63	P30/A8	(reserved)	O	O	O			
64	Vss	Vss	MCU	MCU	MCU			
65	P27/A7/AN27	HP_DET	I	I	I			Detection of inserted HP 0: HP not inserted 1: HP inserted
66	P26/A6/AN26	nHP_MUTE	O	O	O			HP mute control signal 0: HP mute 1: PH output

CRX-040/CRX-140/NS-BP80

Pin No.	Port Name	Function Name (P.C.B.)	I/O					Detail of Function
			PowerOn	Standby	Sleep	When power is supplied	When writing (debugging)	
67	P25/A5/AN25/INT7	P_SW	IRQ	IRQ	IRQ			Power on SW of OPE circuit board 0: Power on SW off 1: Power on SW pressed
68	P24/A4/AN24/INT6	USB_IDD_DET	IRQ	IRQ	IRQ			Detection of USB current / This function is valid only in Standby and Sleep modes and invalid when power is on. 0: Leak current of USB connector not detected 1: Leak current of USB connector detected
69	P23/A3/AN23	AW_TXRXSEL	O	O	O			CRX-040
			O	O	O			Notification of mode setting (Setting executed in factory) 0: Rx 1: Tx CRX-140
70	P22/A2/AN22	AW_MODE	O	O	O			Unused CRX-040
			IO	IO	IO			CRX-140
71	P21/A1/AN21	3.3D_PON	O	O	O			
72	P20/A0/AN20	nAW_INT	O	O	O			Unused CRX-040
			I	I	I			CRX-140
73	P17/D15/INT5	AW_LINK	O	O	O			Unused CRX-040
			IRQ	IRQ	IRQ			AirWired INT_N/LINK signal 0: LINK free 1: LINK at work CRX-140
74	P16/D14/INT4	KEY0 (97 pin and share)	IRQ	IRQ	IRQ			Detection of EJECT SW interrupt / As interrupt is possibly executed by other than EJECT SW, check AD value at KEY0 of 97pin and make judgment by pressing EJECT SW. 0: Switch pressed 1: Switch off
75	P15/D13/INT3	REMOTE	IRQ	IRQ	IRQ			Remote controller light receiving unit signal
76	P14/D12	VOL_RB	I	I	I			Rotary encoder B
77	P13/D11/TXD6/SDA6	EP_SDA	I2C	I2C	I			Set to input port (or output H) after entering Standby mode and completion of writing,
78	P12/D10/RXD6/SCL6	EP_SCL	I2C	I2C	I			Set to input port (or output H) after entering Standby mode and completion of writing,
79	P11/D9/CLK6	(reserved)	O	O	O			
80	P10/D8/CTS6/RTS6	VOL_RA	I	I	I			Rotary encoder A
81	P07/D7/AN07	(reserved)	O	O	O			
82	P06/D6/AN06	nFL_CS	O	O	O			
83	P05/D5/AN05	nFL_RST	O	O	O			
84	P04/D4/AN04	nTUN_ST	I	I	I			Tuner Stereo/Mono flag U, T, K, A, G, L, V, J models B model
			I	I	I			
85	P03/D3/AN03	nTUN_TUND	I	I	I			Tuner tuned flag U, T, K, A, G, L, V, J models B model
			I	I	I			
86	P02/D2/AN02	nTUN_CS	O	O	O			U, T, K, A, G, L, V, J models B model
			O	O	O			
87	P01/D1/AN01	TUN_MUTE	O	O	O			U, T, K, A, G, L, V, J models B model
			O	O	O			
88	P00/D0/AN00	IPD_PON	O	O	O			ON/OFF control of +51 power DCDC 0: +51 output off 1: +51 on
89	P107/AN7/KI3	(reserved)	O	O	O			
90	P106/AN6/KI2	(reserved)	O	O	O			

Pin No.	Port Name	Function Name (P.C.B.)	I/O				Detail of Function
			PowerOn	Standby	Sleep	When power is supplied When writing (debugging)	
91	P105/AN5/KI1	PS3_PRT	AD	AD	AD		Power source protection 3
92	P104/AN4/KI0	MODEL	AD	AD	AD		Identification of models (CRX-040, CRX-140)
93	P103/AN3	DEST	AD	AD	AD		Identification of destination
94	P102/AN2	PS2_PRT	AD	AD	AD		Power source protection 2
95	P101/AN1	PS1_PRT	AD	AD	AD		Power source protection 1
96	Avss	Avss	MCU	MCU	MCU		
97	P100/AN0	KEY0 (74 pin and share)	AD	AD	AD		Identification of front panel key
98	Vref	Vref	MCU	MCU	MCU		
99	Avcc	Avcc	MCU	MCU	MCU		
100	P97/Adtrg/Sin4	TUN_MISO	SPI	I	I		SPI data input
			I	I	I		U, T, K, A, G, L, V, J models B model

Model detection for AD port

Ohm (R407)	-	100k
Ohm (R408)	100k	-
V	0 - 0.6	2.6 - 3.3
A/D value (3.3 V = 255)	0 - 50	205 - 255
MODEL (92 pin)	CRX-040	CRX-140

Destination detection for A/D port

Destination (A/D) pull-up resistance 47 k-ohms

Ohm (R405)	4.7k	18k	47k	82k	220k	-
V	0 - 0.5	0.6 - 1.2	1.3 - 1.8	1.9 - 2.4	2.5 - 3.0	3.1 - 3.3
A/D value (3.3 V = 255)	0 - 45	46 - 98	99 - 145	146 - 187	188 - 235	236 - 255
DEST (93 pin)	B	A	J	U	G	T, K, L, V

Key detection for A/D port

Key input (A/D) pull-up resistance 10 k-ohms

Ohm	0	+ 6.8k	+ 2.7k	+ 5.5k (15k)	+ 18k	+ 18k
V	0 - 0.6	0.7 - 1.6	1.7 - 2.2	2.3 - 2.6	2.7 - 3.1	2.7 - 3.1
A/D value (3.3 V = 255)	0 - 51	52 - 131	132 - 176	177 - 206	207 - 237	207 - 237
KEY0 (97 pin)	OPEN/CLOSE	STOP	-	INPUT	PLAY/PAUSE	PLAY/PAUSE

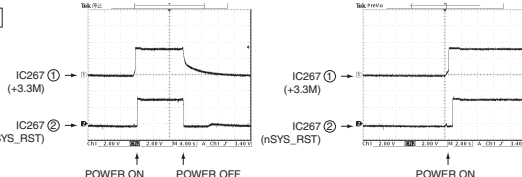
PRINTED CIRCUIT BOARDS

CRX-040

CRX-140

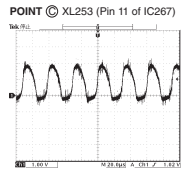
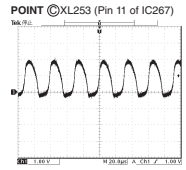
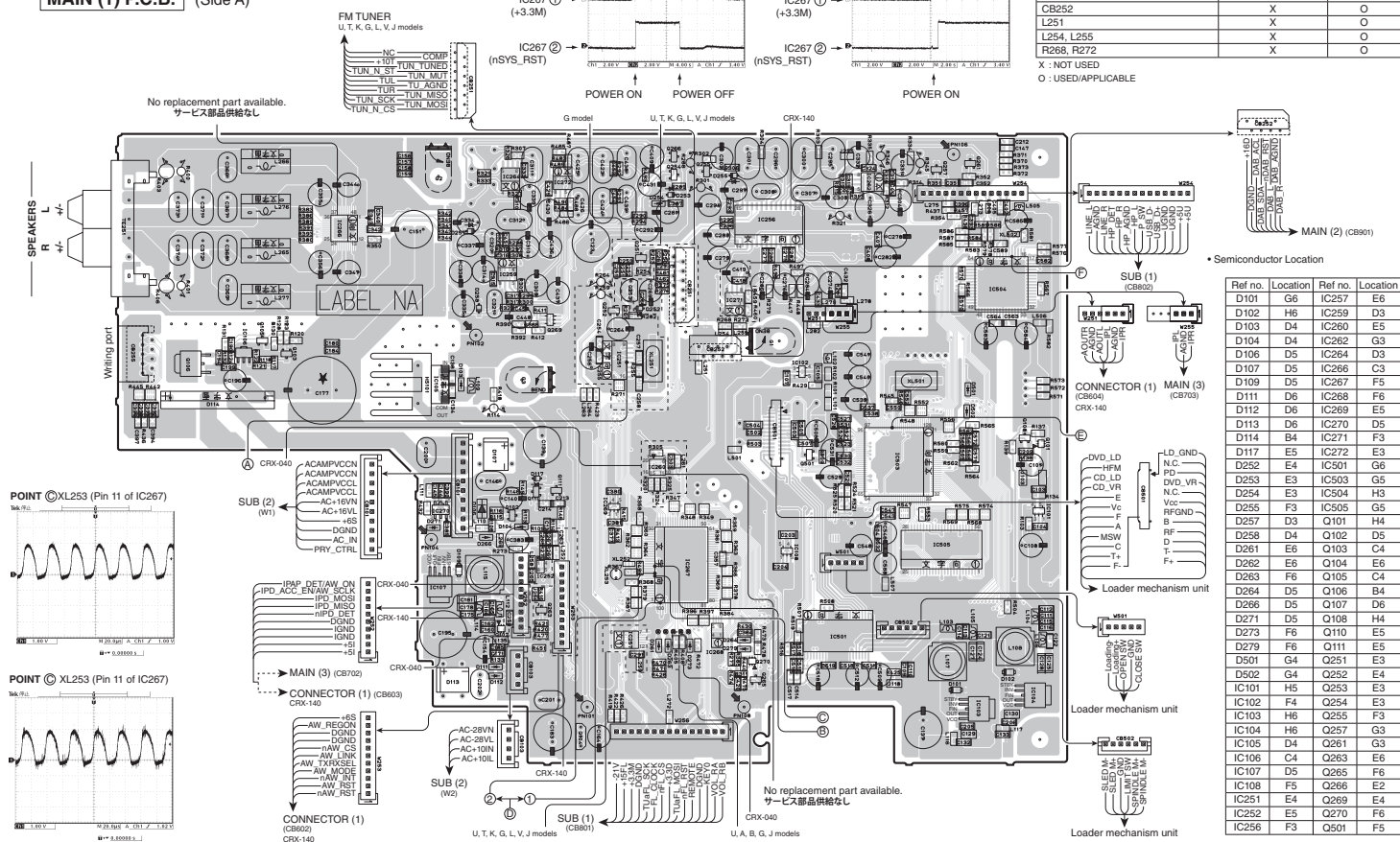
MAIN (1) P.C.B. (Side A)

POINT ① IC267 (99 pin, +3.3M) ② IC267 (12 pin, nSYS_RST)



Circuit No.	U, T, K, G, L, V, J	A, B
C277, C283	O	X
R264	O	X
R423	O	X
C275, C285	X	O
CB252	X	O
L251	X	O
L254, L255	X	O
R268, R272	X	O

X : NOT USED
O : USED/APPLICABLE

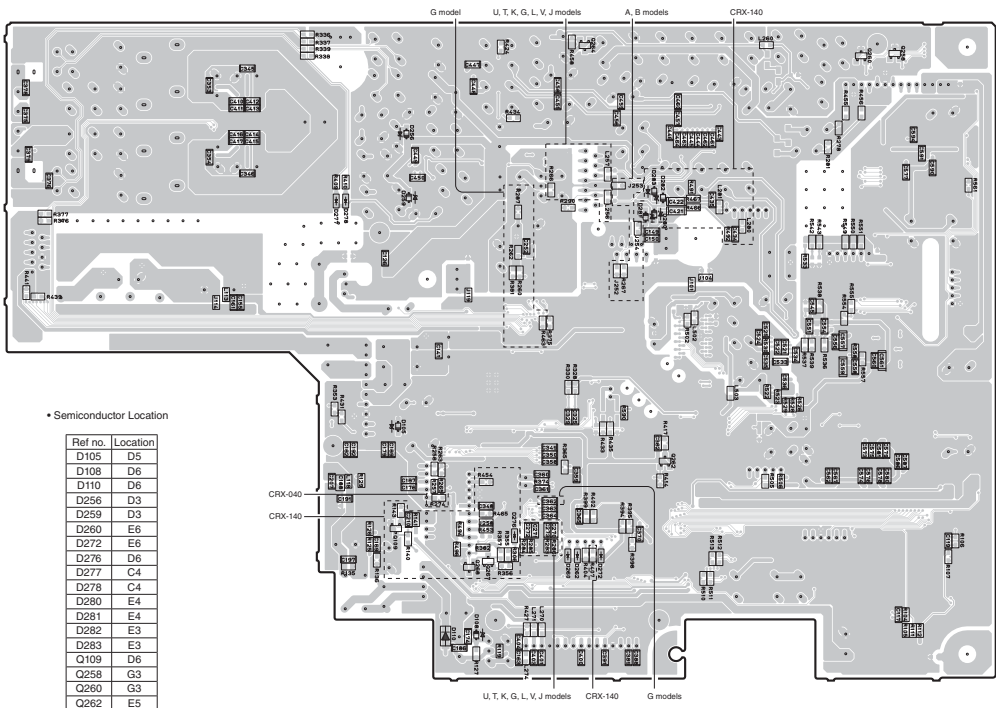


• Semiconductor Location

Ref no.	Location	Ref no.	Location
D101	G6	IC257	E6
D102	H6	IC259	D3
D103	D4	IC260	E5
D104	D4	IC262	G3
D106	D5	IC264	D3
D107	D5	IC266	C3
D109	D5	IC267	F5
D111	D6	IC268	F6
D112	D6	IC269	E5
D113	D6	IC270	D5
D114	B4	IC271	F3
D117	E5	IC272	E3
D252	E4	IC501	G6
D253	E3	IC503	G5
D254	E3	IC504	H3
D255	F3	IC505	G5
D257	D3	Q101	H4
D258	D4	Q102	D5
D261	E6	Q103	C4
D262	E6	Q104	E6
D263	F6	Q105	C4
D264	D5	Q106	B4
D266	D5	Q107	D6
D271	D5	Q108	H4
D273	F6	Q110	E5
D279	F6	Q111	E5
D501	G4	Q251	E3
D502	G4	Q252	E4
IC101	H5	Q253	E3
IC102	F4	Q254	E3
IC103	H6	Q255	F3
IC104	H6	Q257	G3
IC105	D4	Q261	G3
IC106	C4	Q263	E6
IC107	D5	Q265	F6
IC108	F5	Q266	E2
IC251	E4	Q269	E4
IC252	E5	Q270	F6
IC256	F3	Q501	F5

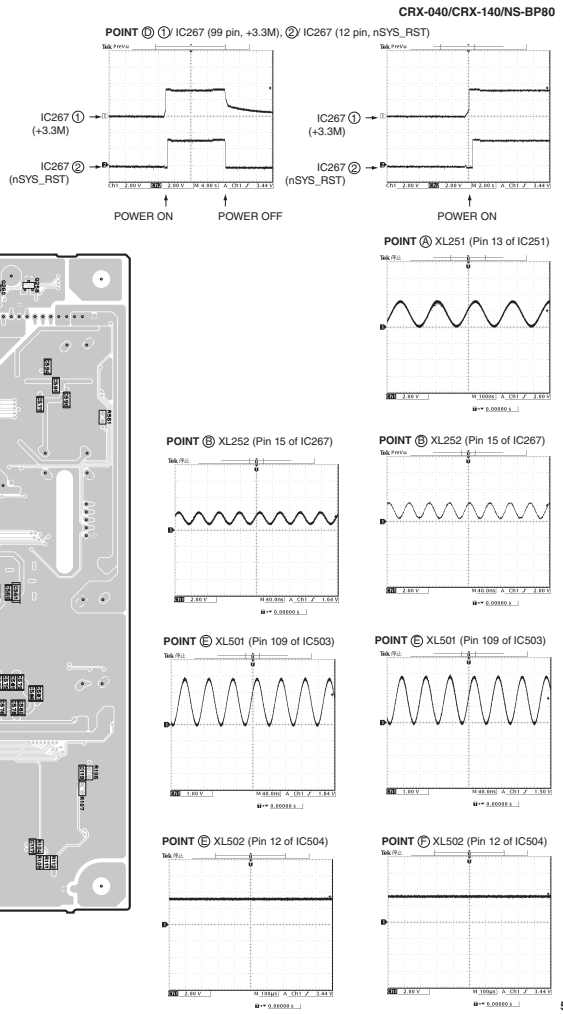
A B C D E F G H I J

MAIN (1) P.C.B. (Side B)

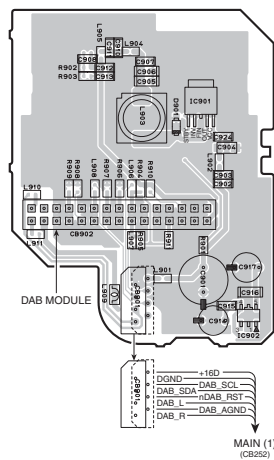


• Semiconductor Location

Ref no.	Location
D105	D5
D108	D6
D110	D6
D256	D3
D259	D3
D260	E6
D272	E6
D276	D6
D277	C4
D278	C4
D280	E4
D281	E4
D282	E3
D283	E3
Q109	D6
Q258	G3
Q260	G3
Q262	E5
Q264	E2
Q267	D6
Q268	D6

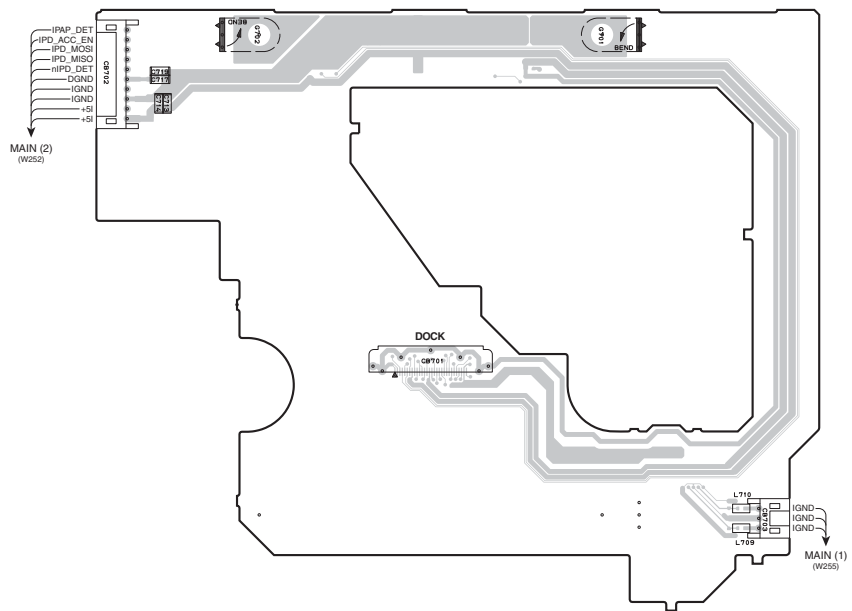


MAIN (2) P.C.B. (Side A)
A, B models



MAIN (3) P.C.B. (Side A)

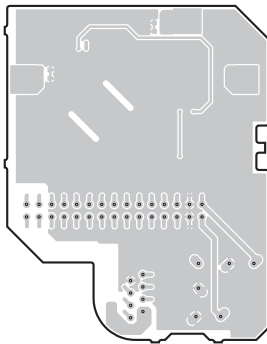
CRX-040



* Semiconductor Location

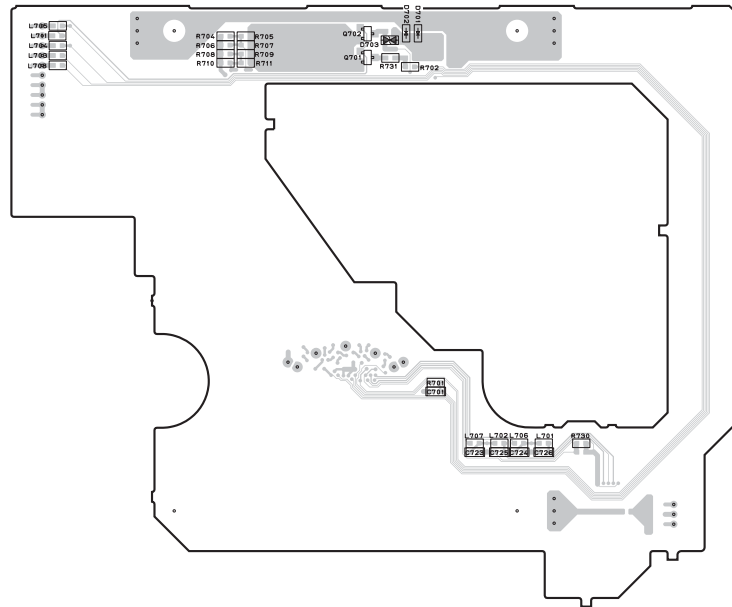
Ref no.	Location
D901	C-3
IC901	C-3
IC902	C-4

MAIN (2) P.C.B. (Side B)
A, B models



MAIN (3) P.C.B. (Side B)

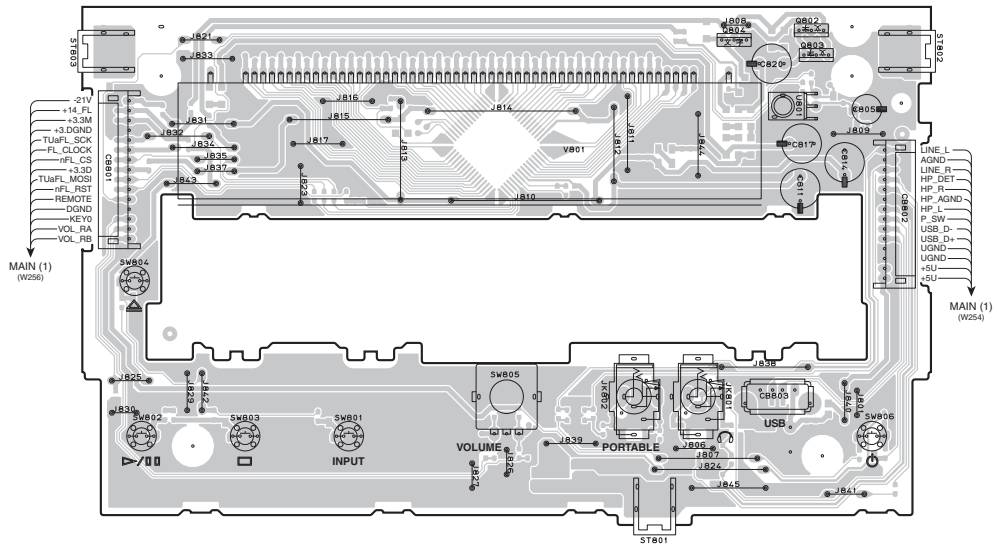
CRX-040



• Semiconductor Location

Ref no.	Location
D701	G2
D702	G2
D703	G2
Q701	G3
Q702	G2

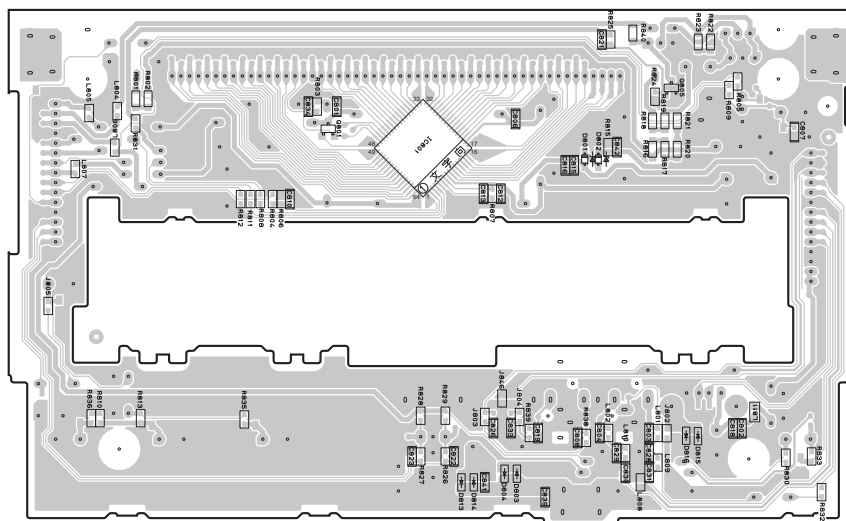
SUB (1) P.C.B. (Side A)



• Semiconductor Location

Ref no.	Location
Q802	H3
Q803	H3
Q804	G3

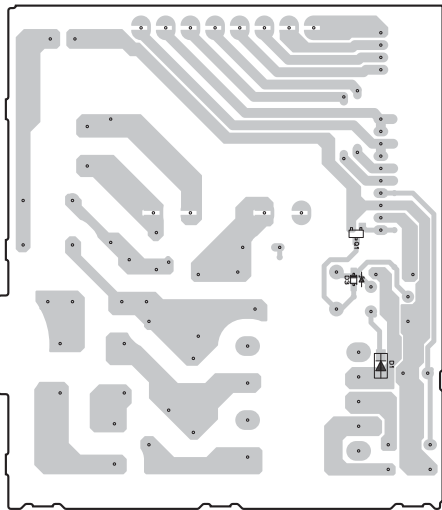
SUB (1) P.C.B. (Side B)



• Semiconductor Location

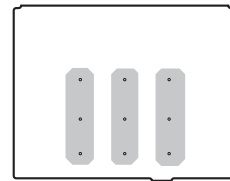
Ref no.	Location
D801	F3
D802	F3
D803	F5
D804	F5
D813	E5
D814	E5
D815	G5
D816	G5
IC801	E3
Q801	D3
Q805	G3

SUB (2) P.C.B. (Side B)



SUB (3) P.C.B. (Side B)

L, V models



• Semiconductor Location

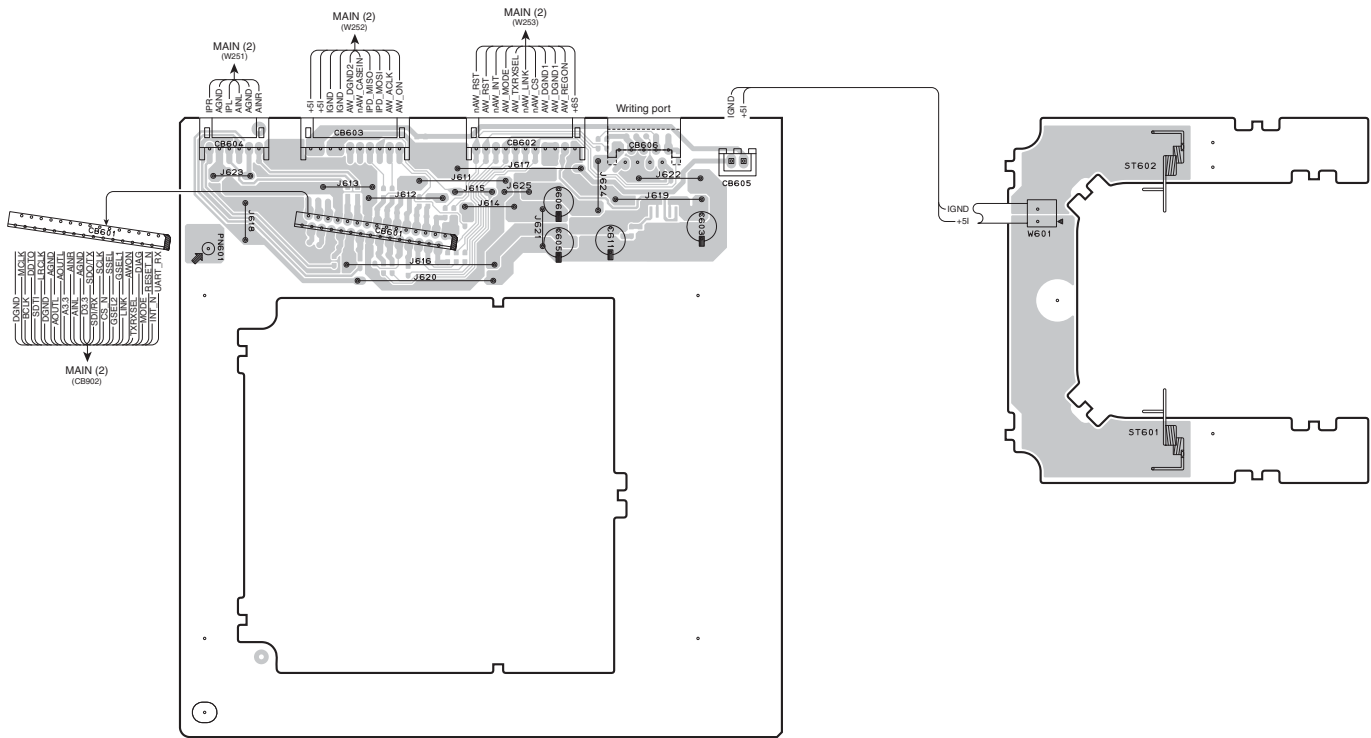
Ref no.	Location
D1	D5
D3	D4
Q1	D4

CONNECTOR (1) P.C.B. (Side A)

CRX-140

CONNECTOR (2) P.C.B. (Side A)

CRX-140



■ PIN CONNECTION DIAGRAMS

• ICs

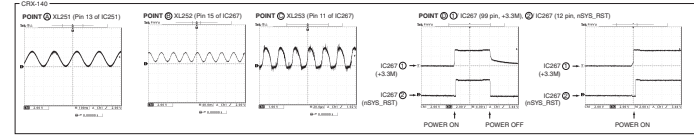
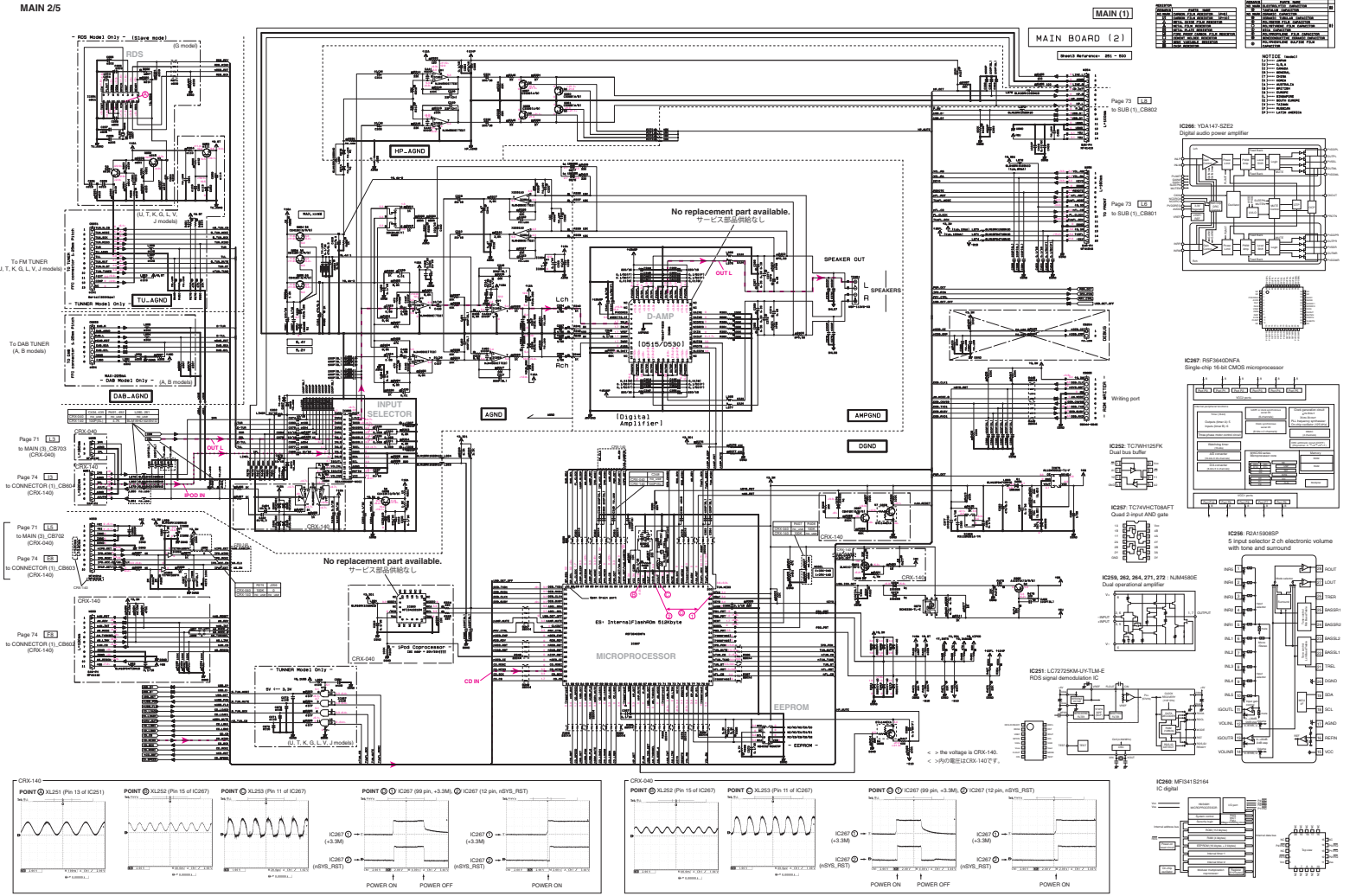
AN41010A-VF 	BA00BC0WFP-E2 (CRX-140) 	BD9870FPS-E2 	LC72725KM-UY-TLM-E 	M12L16161A-7TG
M24C02-RDW6TP 	M66003-0131FP-R MN103SFB5KYAA 	MN6627971YC 	MFI341S2164 	
NJM431U 1: REFERENCE 2: ANODE 3: CATHODE	NJM4580E 	NJM7812FA 3: IN 1: OUT 2: COM	R1154H001C-T1-F R1172H121D-T1-F 	R2A15908SP
R3112N251A-TR RS523N001A-TR-F RP102N331D-TR-F 	RSF3640DNFA 	TC74VHCT08AFT 	TC7WH125FK 	YDA147-SZE2

• Diodes

1SR154-400 	1SS355 	D5SBA60 5A 600V 	HZU3.3B2 TRF-E HZU5.1B3 TRF-E HZU6.8B2 TRF-E HZU8.2B2 TRF-E HZU10B1 TRF-E (CRX-140) HZU12B2 TRF-E
RB160M-60 TR RBS00V-40 	RSB6.8S 6.8V (CRX-040) 	S1NB60 1.0A 600V 	UDZS5.6B TE-17 5.6V UDZ6.8B 6.8V UDZS10B 10V UDZS22B TE-17 22V

• Transistors

2SA1037K 	2SA1708 2SC4488 	2SB1237 Q,R 	2SC2412K 	2SC3326-A (TE85R, F) 2SC3326-B (TE85R, F) 	2SK2145 Y TP 1: DRAIN1 2: SOURCE 3: DRAIN2 4: GATE2 5: GATE1
3LN01C-TB-E 	DTA144EKA DTC123JKA DTC144EKA (CRX-140) 1: GND 2: IN 3: OUT	KTC3198 	MCH6336-TL-E 1: Drain 2: Drain 3: Gate 4: Source 5: Drain 6: Drain	STF1305 1: Gate 2: Drain 3: Source 4: Drain	



Key detection for AD port
Key input (MSD) pin or resistance (Ω) value

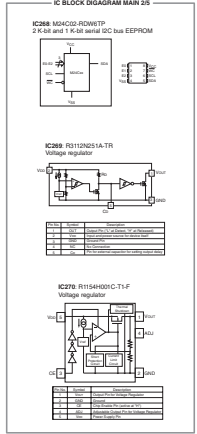
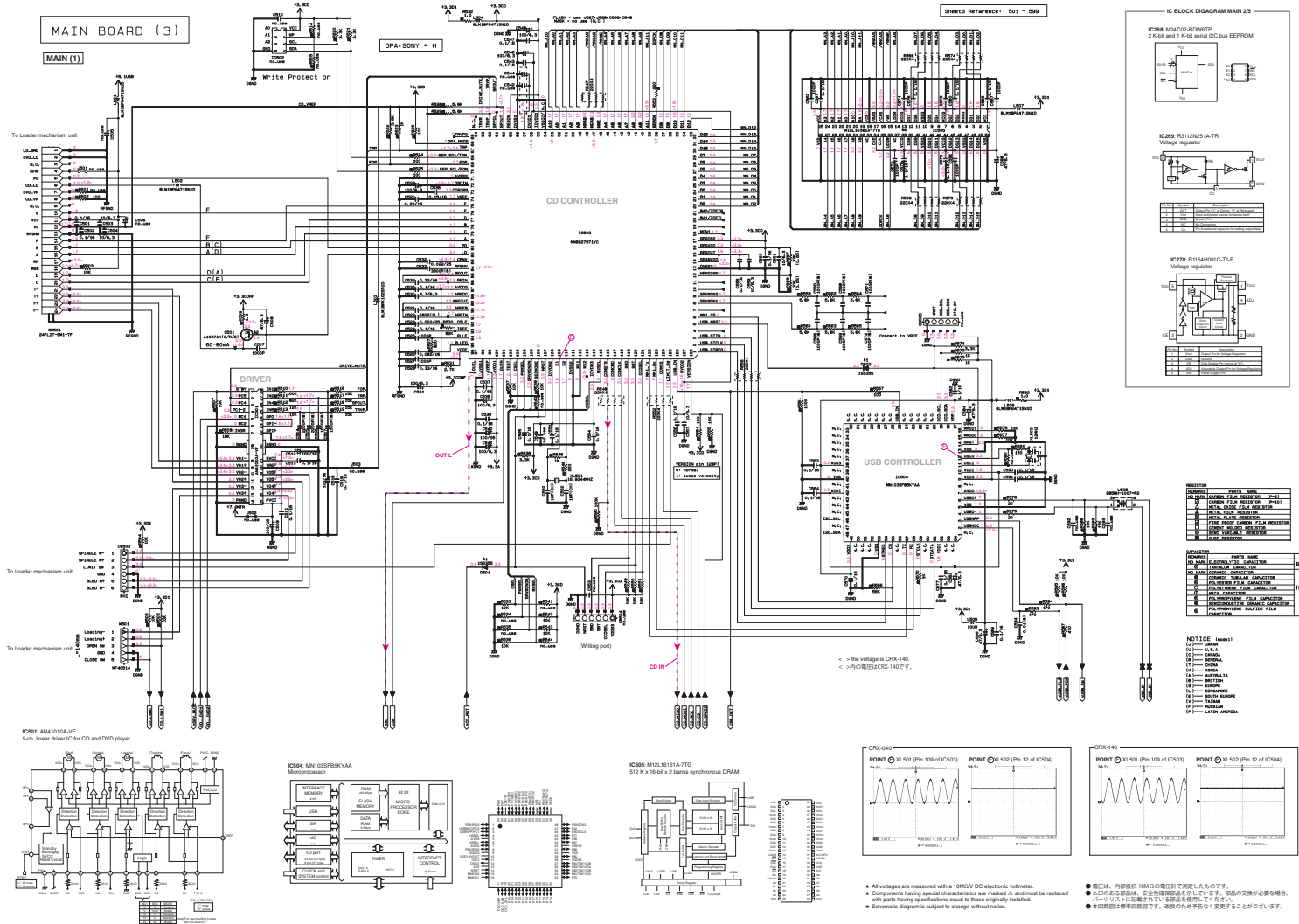
Key	MSD	Resistance (Ω)
0	0	1.5k
1	0	2.7k
2	0	5.5k
3	0	10k
4	0	15k
5	0	20k
6	0	25k
7	0	30k
8	0	35k
9	0	40k
10	0	45k
11	0	50k
12	0	55k
13	0	60k
14	0	65k
15	0	70k
16	0	75k
17	0	80k
18	0	85k
19	0	90k
20	0	95k
21	0	100k
22	0	105k
23	0	110k
24	0	115k
25	0	120k
26	0	125k
27	0	130k
28	0	135k
29	0	140k
30	0	145k
31	0	150k
32	0	155k
33	0	160k
34	0	165k
35	0	170k
36	0	175k
37	0	180k
38	0	185k
39	0	190k
40	0	195k
41	0	200k
42	0	205k
43	0	210k
44	0	215k
45	0	220k
46	0	225k
47	0	230k
48	0	235k
49	0	240k
50	0	245k
51	0	250k
52	0	255k
53	0	260k
54	0	265k
55	0	270k
56	0	275k
57	0	280k
58	0	285k
59	0	290k
60	0	295k
61	0	300k
62	0	305k
63	0	310k
64	0	315k
65	0	320k
66	0	325k
67	0	330k
68	0	335k
69	0	340k
70	0	345k
71	0	350k
72	0	355k
73	0	360k
74	0	365k
75	0	370k
76	0	375k
77	0	380k
78	0	385k
79	0	390k
80	0	395k
81	0	400k
82	0	405k
83	0	410k
84	0	415k
85	0	420k
86	0	425k
87	0	430k
88	0	435k
89	0	440k
90	0	445k
91	0	450k
92	0	455k
93	0	460k
94	0	465k
95	0	470k
96	0	475k
97	0	480k
98	0	485k
99	0	490k
100	0	495k
101	0	500k
102	0	505k
103	0	510k
104	0	515k
105	0	520k
106	0	525k
107	0	530k
108	0	535k
109	0	540k
110	0	545k
111	0	550k
112	0	555k
113	0	560k
114	0	565k
115	0	570k
116	0	575k
117	0	580k
118	0	585k
119	0	590k
120	0	595k
121	0	600k
122	0	605k
123	0	610k
124	0	615k
125	0	620k
126	0	625k
127	0	630k
128	0	635k
129	0	640k
130	0	645k
131	0	650k
132	0	655k
133	0	660k
134	0	665k
135	0	670k
136	0	675k
137	0	680k
138	0	685k
139	0	690k
140	0	695k
141	0	700k
142	0	705k
143	0	710k
144	0	715k
145	0	720k
146	0	725k
147	0	730k
148	0	735k
149	0	740k
150	0	745k
151	0	750k
152	0	755k
153	0	760k
154	0	765k
155	0	770k
156	0	775k
157	0	780k
158	0	785k
159	0	790k
160	0	795k
161	0	800k
162	0	805k
163	0	810k
164	0	815k
165	0	820k
166	0	825k
167	0	830k
168	0	835k
169	0	840k
170	0	845k
171	0	850k
172	0	855k
173	0	860k
174	0	865k
175	0	870k
176	0	875k
177	0	880k
178	0	885k
179	0	890k
180	0	895k
181	0	900k
182	0	905k
183	0	910k
184	0	915k
185	0	920k
186	0	925k
187	0	930k
188	0	935k
189	0	940k
190	0	945k
191	0	950k
192	0	955k
193	0	960k
194	0	965k
195	0	970k
196	0	975k
197	0	980k
198	0	985k
199	0	990k
200	0	995k
201	0	1000k

All voltages are measured with a 10MΩV DC electronic voltmeter.
 Components having special characteristics are marked Δ, and must be replaced with parts having specifications equal to those originally installed.
 Schematic diagram is subject to change without notice.

測定は、内部抵抗 10MΩ の電圧計で行ったものです。
 特殊の特性を有する部品は、Δ を付記し、必ず同等の規格品を交換してください。部品の交換が必要な場合は、必ず元の仕様と同等の部品を交換してください。
 回路図は仕様変更なく変更することがあります。

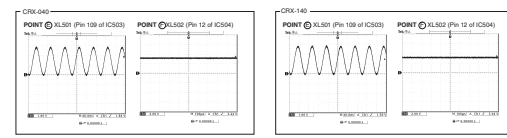
MAIN 3/5

MAIN BOARD (3)
MAIN (1)



RESISTOR VALUE LIST

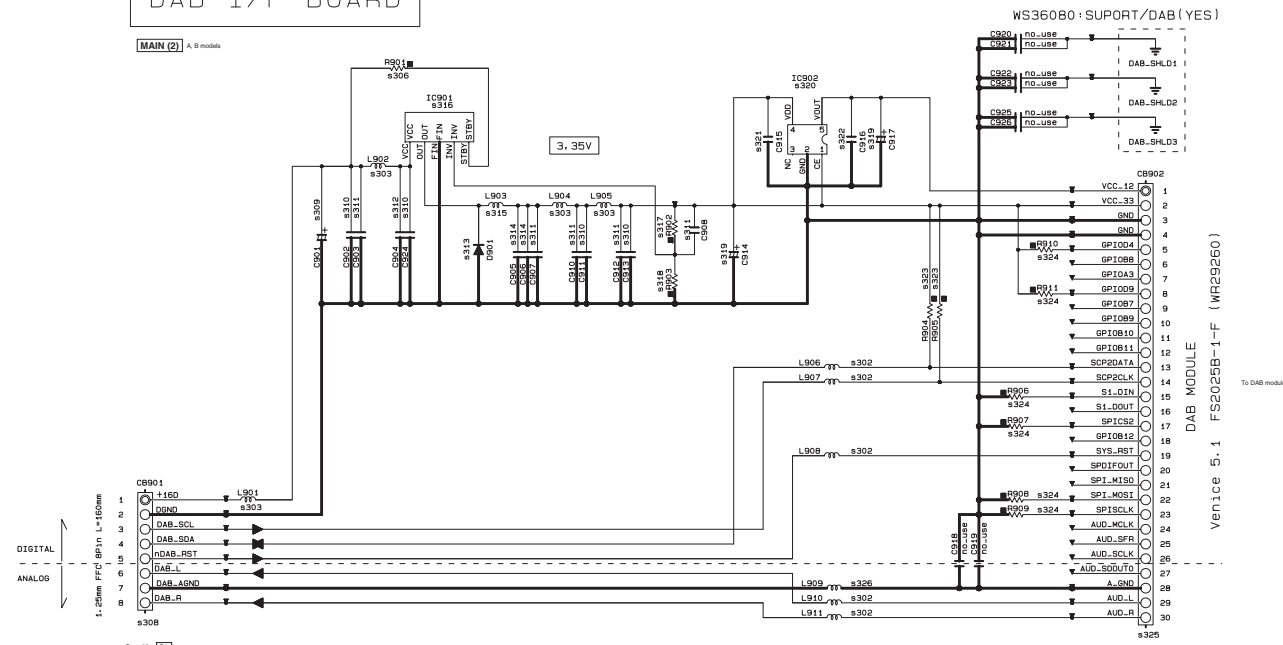
RESISTOR VALUE	RESISTOR VALUE
R101: 10K	R102: 10K
R103: 10K	R104: 10K
R105: 10K	R106: 10K
R107: 10K	R108: 10K
R109: 10K	R110: 10K
R111: 10K	R112: 10K
R113: 10K	R114: 10K
R115: 10K	R116: 10K
R117: 10K	R118: 10K
R119: 10K	R120: 10K
R121: 10K	R122: 10K
R123: 10K	R124: 10K
R125: 10K	R126: 10K
R127: 10K	R128: 10K
R129: 10K	R130: 10K
R131: 10K	R132: 10K
R133: 10K	R134: 10K
R135: 10K	R136: 10K
R137: 10K	R138: 10K
R139: 10K	R140: 10K
R141: 10K	R142: 10K
R143: 10K	R144: 10K
R145: 10K	R146: 10K
R147: 10K	R148: 10K
R149: 10K	R150: 10K
R151: 10K	R152: 10K
R153: 10K	R154: 10K
R155: 10K	R156: 10K
R157: 10K	R158: 10K
R159: 10K	R160: 10K
R161: 10K	R162: 10K
R163: 10K	R164: 10K
R165: 10K	R166: 10K
R167: 10K	R168: 10K
R169: 10K	R170: 10K
R171: 10K	R172: 10K
R173: 10K	R174: 10K
R175: 10K	R176: 10K
R177: 10K	R178: 10K
R179: 10K	R180: 10K
R181: 10K	R182: 10K
R183: 10K	R184: 10K
R185: 10K	R186: 10K
R187: 10K	R188: 10K
R189: 10K	R190: 10K
R191: 10K	R192: 10K
R193: 10K	R194: 10K
R195: 10K	R196: 10K
R197: 10K	R198: 10K
R199: 10K	R200: 10K



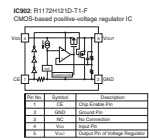
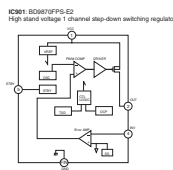
- All voltages are measured with a 10MΩV DC electronic voltmeter.
 - Components having special characteristics are marked Δ, and must be replaced with parts having specifications equal to those originally installed.
 - Schematic diagram is subject to change without notice.
- 電圧は、内部抵抗 10MΩ の電圧計で測定したものです。
● 点印のある部品は、安全信頼性を保つて行っています。部品の交換が必要な場合、必ず同じ仕様品を交換してください。
● 回路図は仕様変更なく、変更の必要なく変更することがあります。

DAB I/F BOARD

Sheet3 Reference: 901 - 999



Page 68
to MAIN (1), CR252



REMARKS	PARTS NAME
NO MARK	CARBON FILM RESISTOR (P=5)
□	CARBON FILM RESISTOR (P=10)
△	METAL OXIDE FILM RESISTOR
▲	METAL FILM RESISTOR
◇	METAL PLATE RESISTOR
■	FINE PPODF CARBON FILM RESISTOR
□	CEMENT MOLDED RESISTOR
⊗	SEMI VARIABLE RESISTOR
■	CHIP RESISTOR

REMARKS	PARTS NAME
NO MARK	ELECTROLYTIC CAPACITOR
○	TANTALUM CAPACITOR
●	CERAMIC CAPACITOR
⊙	CERAMIC TUBULAR CAPACITOR
⊗	POLYESTER FILM CAPACITOR
○	POLYSTYRENE FILM CAPACITOR
◇	MICA CAPACITOR
⊙	POLYPHENYLENE FILM CAPACITOR
●	SEMICONDUCTIVE CERAMIC CAPACITOR
⊙	POLYPHENYLENE SULFIDE FILM CAPACITOR

NOTICE (mode1)
 (J)..... JAPAN
 (U)..... U.S.A.
 (C)..... CANADA
 (R)..... GENERAL
 (T)..... CHINA
 (K)..... KOREA
 (A)..... AUSTRALIA
 (S)..... BRITISH
 (G)..... EUROPE
 (L)..... SINGAPORE
 (E)..... SOUTH EUROPE
 (V)..... TAIWAN
 (F)..... RUSSIAN
 (P)..... LATIN AMERICA

* All voltages are measured with a 10MΩV DC electronic voltmeter.
 * Components having special characteristics are marked Δ, and must be replaced with parts having specifications equal to those originally installed.
 * Schematic diagram is subject to change without notice.

● 電圧は、内部抵抗 10MΩ の電圧計で測定したものです。
 ● 特殊な特性を有する部品は、Δ を付記し、必ず同等規格品を交換してください。規格の交換が必要な場合、メーカーより承認を得た上で交換する必要があります。
 ● 回路図は仕様変更により、変更の旨を付記することなく変更される場合がございます。

Venice 5.1 FS2025B-1-F (WR29250)

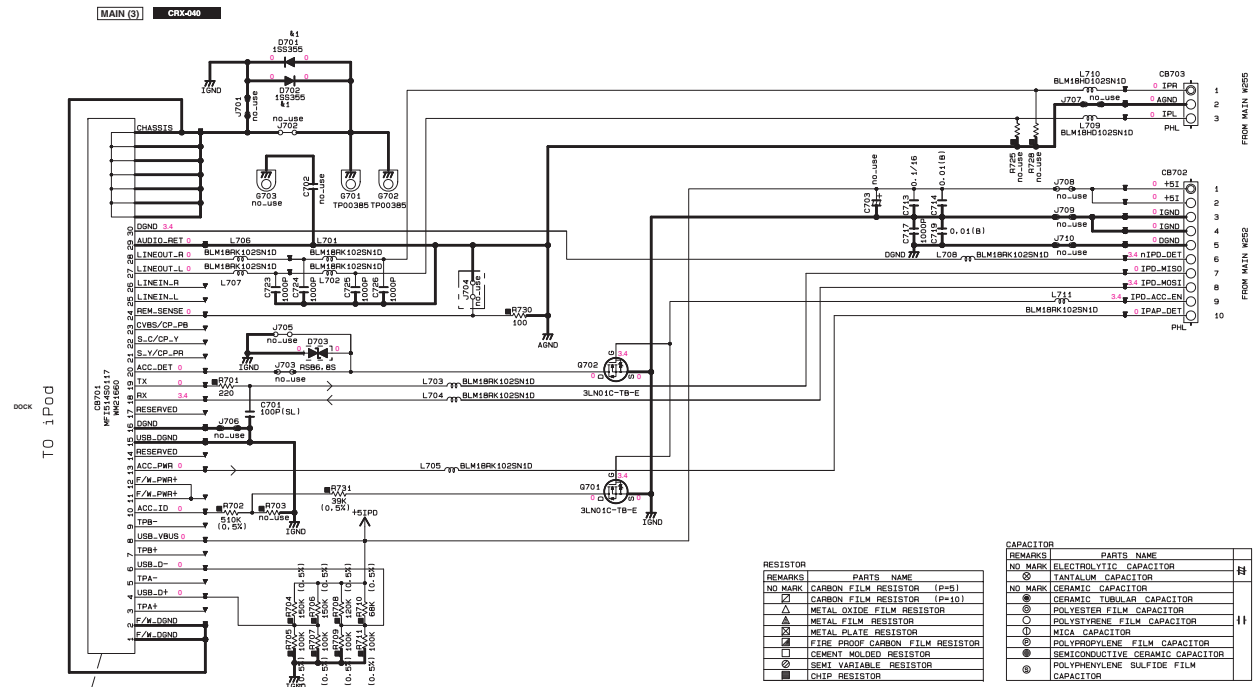
To DAB module

DAB MODULE

MAIN 5/5

iPod BOARD

Sheet3 Reference: 701 - 799



No replacement part available.
サービス部品提供なし

REMARKS	PARTS NAME
NO MARK	CARBON FILM RESISTOR (PWR)
□	CARBON FILM RESISTOR (P=10)
△	METAL OXIDE FILM RESISTOR
▲	METAL FILM RESISTOR
◇	METAL PLATE RESISTOR
■	FIRE PROOF CARBON FILM RESISTOR
□	CEMENT MOUNTED RESISTOR
◇	SEMI-VARIABLE RESISTOR
■	CHIP RESISTOR

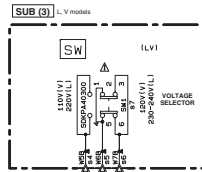
REMARKS	PARTS NAME
NO MARK	ELECTROLYTIC CAPACITOR
□	TANTALUM CAPACITOR
NO MARK	CERAMIC CAPACITOR
○	CERAMIC TUBULAR CAPACITOR
◎	POLYESTER FILM CAPACITOR
○	POLYSTYRENE FILM CAPACITOR
◇	MICA CAPACITOR
◎	POLYPROPYLENE FILM CAPACITOR
◎	SEMICONDUCTIVE CERAMIC CAPACITOR
◎	POLYPHENYLENE SULFIDE FILM CAPACITOR

NOTICE (note1)
 (J)..... JAPAN
 (U)..... U.S.A
 (C)..... CANADA
 (R)..... GENERAL
 (T)..... CHINA
 (K)..... KOREA
 (A)..... AUSTRALIA
 (B)..... BRITISH
 (G)..... EUROPE
 (L)..... SINGAPORE
 (E)..... SOUTH EUROPE
 (V)..... TAIWAN
 (F)..... RUSSIAN
 (P)..... LATIN AMERICA

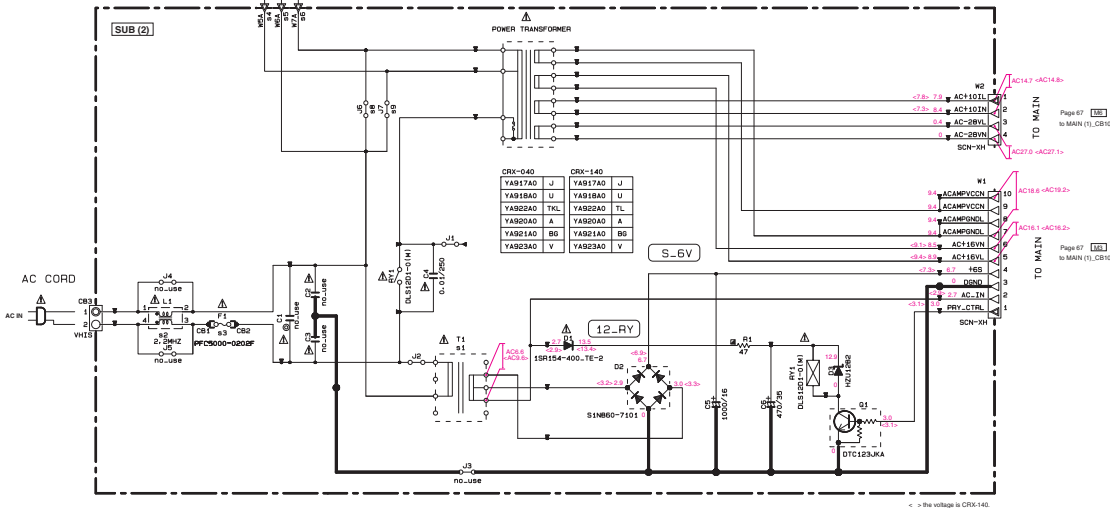
* All voltages are measured with a 10MEV DC electronic voltmeter.
 * Components having special characteristics are marked Δ, and must be replaced with parts having specifications equal to those originally installed.
 * Schematic diagram is subject to change without notice.

● 電圧は、内部抵抗 10MΩ の電圧計で測定したものです。
 ● Δ の部品は特殊部品、安全特性が異なる場合があります。同等の交換が必要の場合、部品仕入れに際しては必ず同等品を確保してください。
 ● 回路図は仕様変更なく変更することがあります。

TRANS
1-



Destination Part List												
CRX-040												
NO.	LOC.	Q	Q	TK	BB	L	V	J	U	T	A	V
81	T1	Y480A0	Y480A0	Y4807A0	Y480A0	Y480A0	Y480A0	Y4811A0	Y4812A0	Y4813A0	Y4814A0	Y4815A0
82	L1	W234A0	W234A0	W234A0	W234A0	W234A0	W234A0	W234A0	W234A0	W234A0	W234A0	W234A0
83	F1	W234A0	W234A0	V232A0	V232A0	V232A0	W234A0	W234A0	W234A0	V232A0	V232A0	W234A0
84	M2	X	X	X	X	X	M14014	M14014	X	X	X	M14014
85	M5	X	X	X	X	X	M18014	M18014	X	X	X	M18014
86	M7	X	X	X	X	X	M11014	M11014	X	X	X	M11014
87	M1	X	X	X	X	X	SDKPA4330	SDKPA4330	X	X	X	SDKPA4330
88	M8	VNS0000	VNS0000	VNS0000	VNS0000	X	VNS0000	VNS0000	X	VNS0000	VNS0000	X
89	J7	X	X	VNS0000	X	X	X	X	X	VNS0000	X	X



NOTICE {mode1}

(J)..... JAPAN
 (U)..... U. S. A
 (C)..... CANADA
 (R)..... GENERAL
 (T)..... CHINA
 (K)..... KOREA
 (A)..... AUSTRALIA
 (B)..... BRITISH
 (G)..... EUROPE
 (L)..... SINGAPORE
 (E)..... SOUTH EUROPE
 (V)..... TAIWAN
 (F)..... RUSSIAN
 (P)..... LATIN AMERICA

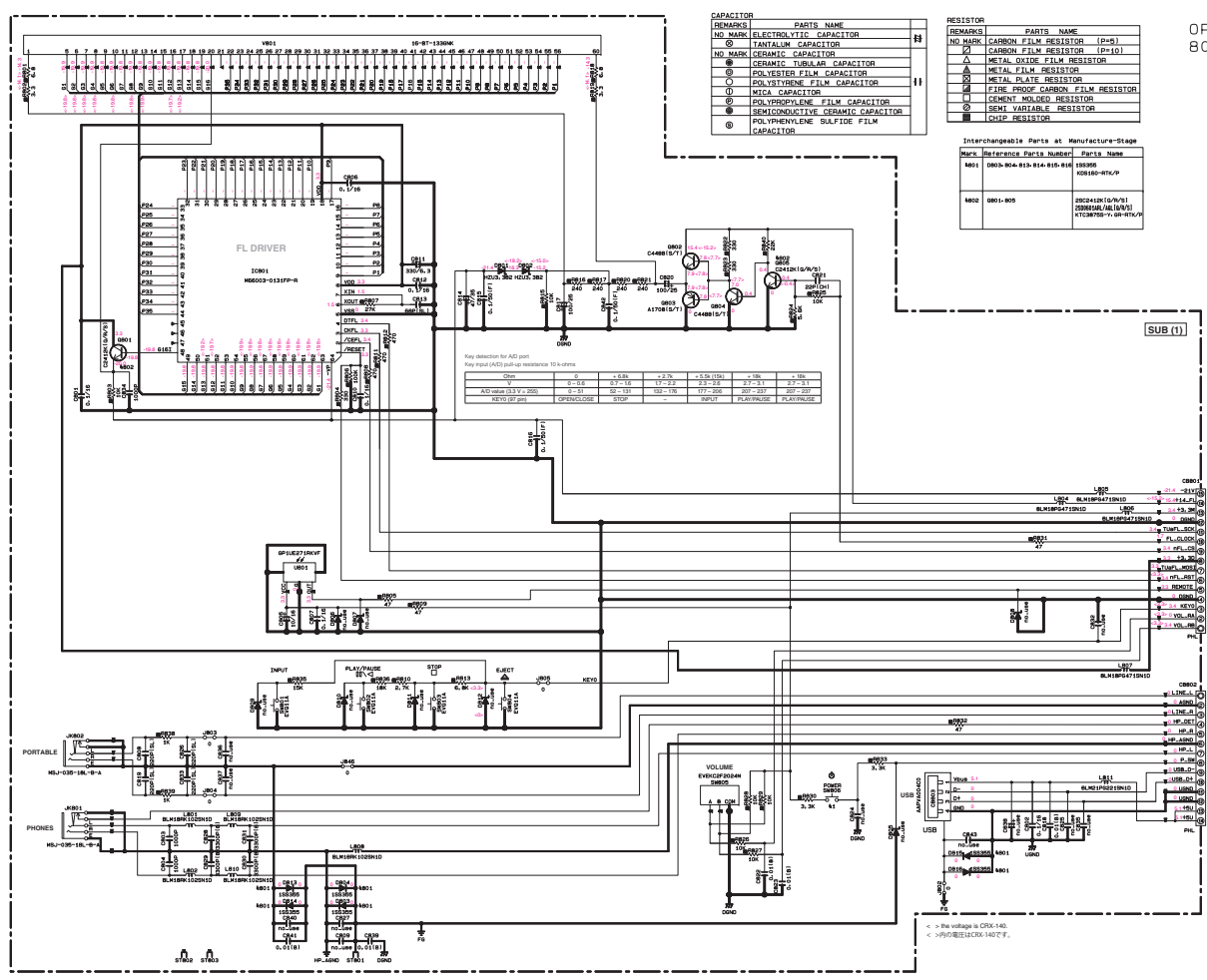
REMARKS	PARTS NAME
NO MARK	CARBON FILM RESISTOR (P=5)
□	CARBON FILM RESISTOR (P=10)
△	METAL OXIDE FILM RESISTOR
▲	METAL FILM RESISTOR
⊠	METAL PLATE RESISTOR
▨	FIRE PROOF CARBON FILM RESISTOR
□	CEMENT MOUNTED RESISTOR
⊙	SEMI-VARIABLE RESISTOR
■	CHIP RESISTOR

REMARKS	PARTS NAME
NO MARK	ELECTROLYTIC CAPACITOR
⊙	TANTALUM CAPACITOR
NO MARK	CERAMIC CAPACITOR
⊙	CERAMIC TUBULAR CAPACITOR
⊙	POLYESTER FILM CAPACITOR
⊙	POLYSTYRENE FILM CAPACITOR
⊙	MICA CAPACITOR
⊙	POLYPROPYLENE FILM CAPACITOR
⊙	SEMICONDUCTIVE CERAMIC CAPACITOR
⊙	POLYPHENYLENE SULFIDE FILM CAPACITOR

* All voltages are measured with a 1000V DC electronic voltmeter.
 * Components having special characteristics are marked A, and must be replaced with parts having specifications equal to those originally installed.
 * Schematic diagram is subject to change without notice.

● 電圧は、内部抵抗 10MΩ の電圧計で測定したものです。
 ● 特殊な性能を有する部品は、A の印を付けられています。取換の際は必ず同等の部品を使用してください。
 ● 回路図は仕様変更なく変更することはありません。

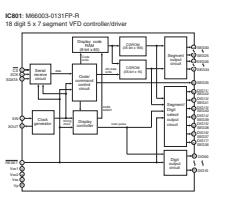
SUB 2/2



OPE 801-

NOTICE [note1]

- (J) JAPAN
- (U) U.S.A
- (C) CANADA
- (R) GENERAL
- (T) CHINA
- (K) KOREA
- (A) AUSTRALIA
- (B) BRITISH
- (E) EUROPE
- (L) SINGAPORE
- (V) SOUTH EUROPE
- (F) TAIWAN
- (P) RUSSIAN
- (P) LATIN AMERICA



FROM MAIN

FROM MAIN

< The voltage is CRX-140.
< 内の電圧はCRX-140です。

- All voltages are measured with a 10MΩV DC electronic voltmeter.
- Components having special characteristics are marked Δ, and must be replaced with parts having specifications equal to those originally installed.
- Schematic diagram is subject to change without notice.
- 電圧は、内部抵抗 10MΩの電圧計で測定したものです。
- Δ印のある部品は、特別な特性を有しています。取替の際は必要な場合、必ず同等の規格品を同等の仕様で取替えてください。
- 回路図は仕様変更なく、変更のため予告なく変更することがあります。

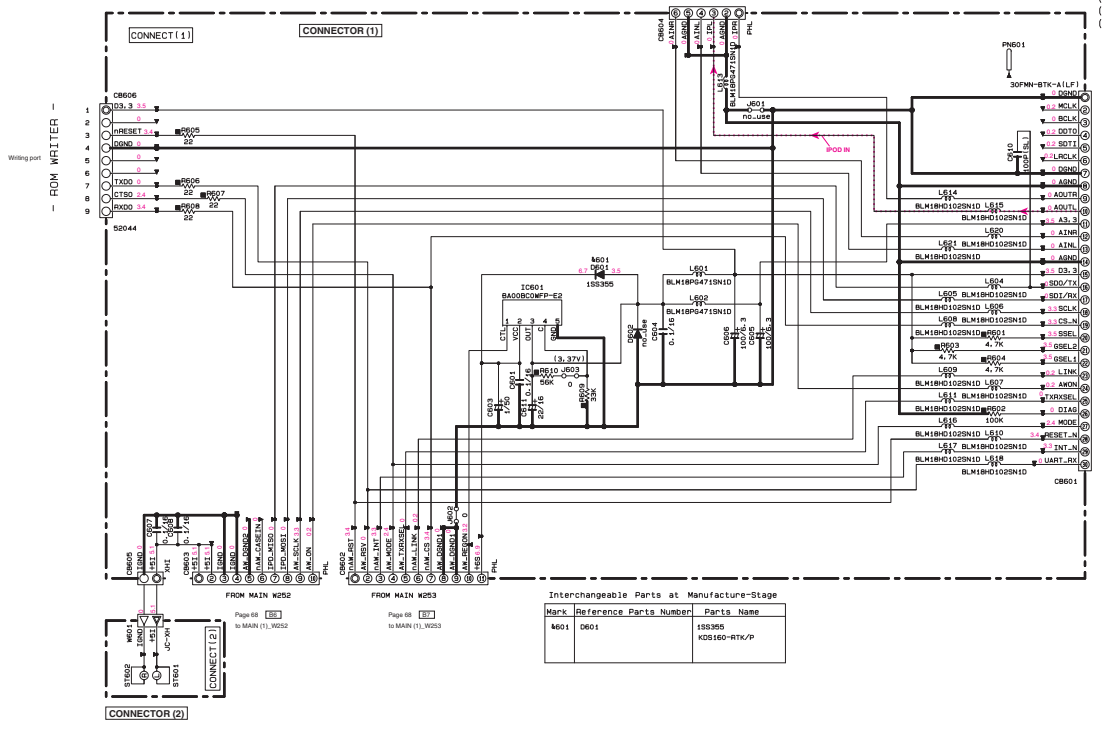
CONNECTOR CRX-140

CONNECT 601-

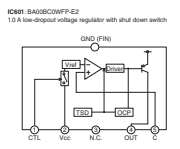
REMARKS	PARTS NAME
NO MARK	CARBON FILM RESISTOR (P=5)
□	CARBON FILM RESISTOR (P=10)
△	METAL OXIDE FILM RESISTOR
▲	METAL FILM RESISTOR
▢	METAL PLATE RESISTOR
⊠	FIRE PROOF CARBON FILM RESISTOR
□	CEMENT MOLDED RESISTOR
⊙	SEMI VARIABLE RESISTOR
■	CHIP RESISTOR

REMARKS	PARTS NAME
NO MARK	ELECTROLYTIC CAPACITOR
⊗	TANTALUM CAPACITOR
NO MARK	CERAMIC CAPACITOR
⊙	CERAMIC TUBULAR CAPACITOR
⊖	POLYESTER FILM CAPACITOR
○	POLYSTYRENE FILM CAPACITOR
⊕	MICA CAPACITOR
⊖	POLYPROPYLENE FILM CAPACITOR
⊙	SEMICONDUCTIVE CERAMIC CAPACITOR
⊕	POLYPHENYLENE SULFIDE FILM CAPACITOR

NOTICE (mode1)
 (J)..... JAPAN
 (U)..... U.S.A
 (C)..... CANADA
 (R)..... GENERAL
 (T)..... CHINA
 (K)..... KOREA
 (A)..... AUSTRALIA
 (B)..... BRITISH
 (G)..... EUROPE
 (L)..... SINGAPORE
 (E)..... SOUTH EUROPE
 (V)..... TAIWAN
 (F)..... RUSSIAN
 (P)..... LATIN AMERICA



Mark	Reference Parts Number	Parts Name
A601	D601	ISS395
		KDS160-RTK/P



* All voltages are measured with a 10M Ω DC electronic voltmeter.
 * Components having special characteristics are marked Δ , and must be replaced with parts having specifications equal to those originally installed.
 * Schematic diagram is subject to change without notice.

● 電圧は、10M Ω の電圧計で測定したものです。
 ● 特殊な特性を有する部品は、 Δ で示され、必ず同等規格品を交換する必要があります。部品の交換が必要な場合は、必ず元の部品番号と同等の規格品を交換してください。
 ● 回路図は仕様変更を伴って変更される場合がございます。

■ REPLACEMENT PARTS LIST

● ELECTRICAL COMPONENT PARTS

WARNING

- Components having special characteristics are marked Δ and must be replaced with parts having specifications equal to those originally installed.
- Δ 印のある部分は、安全確保部品を示しています。部品の交換が必要な場合、パーツリストに記載されている部品を使用してください。
- 部品価格ランクは、予告なく変更することがあります。

ABBREVIATIONS IN THIS LIST ARE AS FOLLOWS:

C.A.EL.CHP	: CHIP ALUMI.ELECTROLYTIC CAP	L.EMIT	: LIGHT EMITTING MODULE
C.CE	: CERAMIC CAP	LED.DSPLY	: LED DISPLAY
C.CE.ARRAY	: CERAMIC CAP ARRAY	LED.INFRD	: LED,INFRARED
C.CE.CHP	: CHIP CERAMIC CAP	MODUL.RF	: MODULATOR,RF
C.CE.ML	: MULTILAYER CERAMIC CAP	PHOT.CPL	: PHOTO COUPLER
C.CE.M.CHP	: CHIP MULTILAYER CERAMIC CAP	PHOT.INTR	: PHOTO INTERRUPTER
C.CE.SAFTY	: RECOGNIZED CERAMIC CAP	PHOT.RFLCT	: PHOTO REFLECTOR
C.CE.TUBLR	: CERAMIC TUBULAR CAP	PIN.TEST	: PIN,TEST POINT
C.CE.SMI	: SEMI CONDUCTIVE CERAMIC CAP	PLST.RIVET	: PLASTIC RIVET
C.EL	: ELECTROLYTIC CAP	R.ARRAY	: RESISTOR ARRAY
C.MICA	: MICA CAP	R.CAR.	: CARBON RESISTOR
C.ML.FLM	: MULTILAYER FILM CAP	R.CAR.CHP	: CHIP RESISTOR
C.MP	: METALLIZED PAPER CAP	R.CAR.FP	: FLAME PROOF CARBON RESISTOR
C.MYLAR	: MYLAR FILM CAP	R.FUS	: FUSABLE RESISTOR
C.MYLAR.ML	: MULTILAYER MYLAR FILM CAP	R.MTL.CHP	: CHIP METAL FILM RESISTOR
C.PAPER	: PAPER CAPACITOR	R.MTL.FLM	: METAL FILM RESISTOR
C.PLS	: POLYSTYRENE FILM CAP	R.MTL.OXD	: METAL OXIDE FILM RESISTOR
C.POL	: POLYESTER FILM CAP	R.MTL.PLAT	: METAL PLATE RESISTOR
C.POLY	: POLYETHYLENE FILM CAP	RSNR.CE	: CERAMIC RESONATOR
C.PP	: POLYPROPYLENE FILM CAP	RSNR.CRYS	: CRYSTAL RESONATOR
C.TNTL	: TANTALUM CAP	R.TW.CEM	: TWIN CEMENT FIXED RESISTOR
C.TNTL.CHP	: CHIP TANTALUM CAP	R.CEMENT	: CEMENT RESISTOR
C.TRIM	: TRIMMER CAP	SCR.BND.HD	: BIND HEAD B-TIGHT SCREW
CN	: CONNECTOR	SCR.BW.HD	: BW HEAD TAPPING SCREW
CN.BS.PIN	: CONNECTOR,BASE PIN	SCR.CUP	: CUP TIGHT SCREW
CN.CANNON	: CONNECTOR,CANNON	SCR.TERM	: SCREW TERMINAL
CN.DIN	: CONNECTOR,DIN	SCR.TR	: SCREW,TRANSISTOR
CN.FLAT	: CONNECTOR,FLAT CABLE	SUPRT.PCB	: SUPPORT,P.C.B.
CN.POST	: CONNECTOR,BASE POST	SURG.PRTCT	: SURGE PROTECTOR
COIL.MX.AM	: COIL,AM MIX	SW.TACT	: TACT SWITCH
COIL.AT.FM	: COIL,FM ANTENNA	SW.LEAF	: LEAF SWITCH
COIL.DT.FM	: COIL,FM DETECT	SW.LEVER	: LEVER SWITCH
COIL.MX.FM	: COIL,FM MIX	SW.MICRO	: MICRO SWITCH
COIL.OUTPT	: OUTPUT COIL	SW.PUSH	: PUSH SWITCH
DIOD.ARRAY	: DIODE ARRAY	SW.RT.ENC	: ROTARY ENCODER
DIODE.BRG	: DIODE BRIDGE	SW.RT.MTR	: ROTARY SWITCH WITH MOTOR
DIODE.CHP	: CHIP DIODE	SW.RT	: ROTARY SWITCH
DIODE.VAR	: VARACTOR DIODE	SW.SLIDE	: SLIDE SWITCH
DIOD.Z.CHP	: CHIP ZENER DIODE	TERM.SP	: SPEAKER TERMINAL
DIODE.ZENR	: ZENER DIODE	TERM.WRAP	: WRAPPING TERMINAL
DSCR.CE	: CERAMIC DISCRIMINATOR	THRMST.CHP	: CHIP THERMISTOR
FER.BEAD	: FERRITE BEADS	TR.CHP	: CHIP TRANSISTOR
FER.CORE	: FERRITE CORE	TR.DGT	: DIGITAL TRANSISTOR
FET.CHP	: CHIP FET	TR.DGT.CHP	: CHIP DIGITAL TRANSISTOR
FL.DSPLY	: FLUORESCENT DISPLAY	TRANS	: TRANSFORMER
FLTR.CE	: CERAMIC FILTER	TRANS.PULS	: PULSE TRANSFORMER
FLTR.COMB	: COMB FILTER MODULE	TRANS.PWR	: POWER TRANSFORMER ASS'Y
FLTR.LC.RF	: LC FILTER,EMI	TUNER.AM	: TUNER PACK,AM
GND.MTL	: GROUND PLATE	TUNER.FM	: TUNER PACK,FM
GND.TERM	: GROUND TERMINAL	TUNER.PK	: FRONT-ENDTUNER PACK
HOLDER.FUS	: FUSE HOLDER	VR	: ROTARY POTENTIOMETER
IC.PRTCT	: IC PROTECTOR	VR.MTR	: POTENTIOMETER WITH MOTOR
JUMPER.CN	: JUMPER CONNECTOR	VR.SW	: POTENTIOMETER WITH ROTARY SW
JUMPER.TST	: JUMPER,TEST POINT	VR.SLIDE	: SLIDE POTENTIOMETER
L.DTCT	: LIGHT DETECTING MODULE	VR.TRIM	: TRIMMER POTENTIOMETER

P.C.B. MAIN

Ref No.	Part No.	Description	Remarks	Markets	部 品 名	ランク	
*	WS475400	P. C. B.	MAIN	CRX140	J	PCB MAIN	
*	WS476000	P. C. B.	MAIN	CRX040	J	PCB MAIN	
*	WS475500	P. C. B.	MAIN	CRX140	U	PCB MAIN	
*	WS476100	P. C. B.	MAIN	CRX040	U	PCB MAIN	
*	WS475600	P. C. B.	MAIN	CRX140	TLV	PCB MAIN	
*	WS476200	P. C. B.	MAIN	CRX040	TKLV	PCB MAIN	
*	WS475700	P. C. B.	MAIN	CRX140	A	PCB MAIN	
*	WS476300	P. C. B.	MAIN	CRX040	A	PCB MAIN	
*	WS475800	P. C. B.	MAIN	CRX140	B	PCB MAIN	
*	WS476400	P. C. B.	MAIN	CRX040	B	PCB MAIN	
*	WS475900	P. C. B.	MAIN	CRX140	G	PCB MAIN	
*	WS476500	P. C. B.	MAIN	CRX040	G	PCB MAIN	
	CB101	LB918100	CN. BS. PIN	10P		ベース付ポスト	02
	CB103	LB918040	CN. BS. PIN	4P		ベース付ポスト	01
	CB251	VM923600	CN. BS. PIN	13P	JUTGLV	F F Cコネクター	01
	CB252	VP682200	CN. BS. PIN	8P	AB	F F Cコネクター	01
	CB255	VQ044400	CN. BS. PIN	9P		F F Cコネクター	01
	CB501	WQ289300	CN	24P TE		F F C / F P Cコネクタ	04
	CB502	VB390200	CN. BS. PIN	6P		コネクタベースポスト	01
	CB702	VB858900	CN. BS. PIN	10P	CRX040	ベースピン	01
	CB703	VB858200	CN. BS. PIN	3P	CRX040	ベースピン	01
	CB901	VP682200	CN. BS. PIN	8P		F F Cコネクター	01
*	CB902	WR261900	TERM	30P TE	AB	レセブタクル	
	C101	UR818100	C. EL	100uF 6.3V	AB	ケミコン	01
	C103	US135100	C. CE. CHP	0.1uF 16V		チップセラコン	01
	C104	US063100	C. CE. CHP	1000pF 50V B		チップセラコン	01
*	C105	WP882000	C. CE. CHP	10uF 6.3V		チップセラコン	
	C107	US126100	C. CE. CHP	1uF 10V		チップセラコン	01
	C108	UR818470	C. EL	470uF 6.3V		ケミコン	01
	C109	US064100	C. CE. CHP	0.01uF 50V B		チップセラコン	01
	C110	US163100	C. CE. CHP	1000pF 50V		チップセラコン	01
	C111	US064100	C. CE. CHP	0.01uF 50V B		チップセラコン	01
	C112	US163100	C. CE. CHP	1000pF 50V		チップセラコン	01
	C113	US064100	C. CE. CHP	0.01uF 50V B		チップセラコン	01
	C114	US163100	C. CE. CHP	1000pF 50V		チップセラコン	01
	C115	US064100	C. CE. CHP	0.01uF 50V B		チップセラコン	01
	C116-117	US163100	C. CE. CHP	1000pF 50V		チップセラコン	01
	C119	US163100	C. CE. CHP	1000pF 50V		チップセラコン	01
	C121-122	US163100	C. CE. CHP	1000pF 50V		チップセラコン	01
	C123	UU249100	C. EL	1000uF 25V		ケミコン	02
	C124-125	WH311600	C. CE. CHP	10uF 10V		チップセラコン	
	C126	US135100	C. CE. CHP	0.1uF 16V		チップセラコン	01
	C127-128	WH311600	C. CE. CHP	10uF 10V		チップセラコン	
	C129-130	WF547900	C. CE. CHP	10uF 25V		チップセラコン	01
	C131	US135100	C. CE. CHP	0.1uF 16V		チップセラコン	01
	C132-133	US064100	C. CE. CHP	0.01uF 50V B		チップセラコン	01
	C134	US135100	C. CE. CHP	0.1uF 16V		チップセラコン	01
	C137	UR848470	C. EL	470uF 25V		ケミコン	01
	C138	US065100	C. CE. CHP	0.1uF 50V B		チップセラコン	01
	C139	UR849100	C. EL	1000uF 25V		ケミコン	01
	C140	UR867220	C. EL	22uF 50V		ケミコン	01
	C141	US065100	C. CE. CHP	0.1uF 50V B		チップセラコン	01
	C144	US065100	C. CE. CHP	0.1uF 50V B		チップセラコン	01
	C145	US064100	C. CE. CHP	0.01uF 50V B		チップセラコン	01
	C146	VE326000	C. MYLAR	0.1uF 50V		マイラーコン	01
	C147	US064100	C. CE. CHP	0.01uF 50V B		チップセラコン	01
	C149	US163100	C. CE. CHP	1000pF 50V		チップセラコン	01

* New Parts * 新規部品

CRX-040/CRX-140/
NS-BP80

CRX-040

CRX-140

P.C.B. MAIN

Ref No.	Part No.	Description	Remarks	Markets	部 品 名	ランク
C150	US062100	C. GE. CHP	100pF 50V B		チップセラコン	01
C151	UU249100	C. EL	1000uF 25V		ケミコン	02
C154	UR818470	C. EL	470uF 6.3V		ケミコン	01
C155	US065100	C. GE. CHP	0.1uF 50V B		チップセラコン	01
C156-157	US163100	C. GE. CHP	1000pF 50V		チップセラコン	01
C158	US135100	C. GE. CHP	0.1uF 16V		チップセラコン	01
C159-161	US064100	C. GE. CHP	0.01uF 50V B		チップセラコン	01
C162	US163100	C. GE. CHP	1000pF 50V		チップセラコン	01
C163	US065100	C. GE. CHP	0.1uF 50V B		チップセラコン	01
C164	UR847330	C. EL	33uF 25V		ケミコン	01
C165	US064100	C. GE. CHP	0.01uF 50V B		チップセラコン	01
C166	US163100	C. GE. CHP	1000pF 50V		チップセラコン	01
C169	US163100	C. GE. CHP	1000pF 50V		チップセラコン	01
C171	US064100	C. GE. CHP	0.01uF 50V B		チップセラコン	01
C174	US065100	C. GE. CHP	0.1uF 50V B		チップセラコン	01
C175	US163100	C. GE. CHP	1000pF 50V		チップセラコン	01
C176	US064100	C. GE. CHP	0.01uF 50V B		チップセラコン	01
C177	UR73A100	C. EL	10000uF 16V		ケミコン	03
* C178	WH311600	C. GE. CHP	10uF 10V		チップセラコン	
C179	US064100	C. GE. CHP	0.01uF 50V B		チップセラコン	01
C180	US065100	C. GE. CHP	0.1uF 50V B		チップセラコン	01
* C181	WH311600	C. GE. CHP	10uF 10V		チップセラコン	
C182	US064100	C. GE. CHP	0.01uF 50V B		チップセラコン	01
C183	UR868220	C. EL	220uF 50V		ケミコン	
C184	US065100	C. GE. CHP	0.1uF 50V B		チップセラコン	01
C185	US163100	C. GE. CHP	1000pF 50V		チップセラコン	01
C186	US065100	C. GE. CHP	0.1uF 50V B		チップセラコン	01
C187	US163100	C. GE. CHP	1000pF 50V		チップセラコン	01
C188	WF547900	C. GE. CHP	10uF 25V		チップセラコン	01
C189-190	US163100	C. GE. CHP	1000pF 50V		チップセラコン	01
C191	US064100	C. GE. CHP	0.01uF 50V B		チップセラコン	01
C192	US163100	C. GE. CHP	1000pF 50V		チップセラコン	01
C194	US163100	C. GE. CHP	1000pF 50V		チップセラコン	01
C195	UR849220	C. EL	2200uF 25V		ケミコン	03
C196	UR866100	C. EL	1uF 50V		ケミコン	01
C197	US065100	C. GE. CHP	0.1uF 50V B		チップセラコン	01
C199	US065100	C. GE. CHP	0.1uF 50V B		チップセラコン	01
C200-202	VE326000	C. MYLAR	0.1uF 50V		マイラーコン	01
* C203	WP882000	C. GE. CHP	10uF 6.3V		チップセラコン	
C204	US126100	C. GE. CHP	1uF 10V		チップセラコン	01
C205-207	US064100	C. GE. CHP	0.01uF 50V B		チップセラコン	01
C209-210	US063100	C. GE. CHP	1000pF 50V B		チップセラコン	01
C212	US135100	C. GE. CHP	0.1uF 16V		チップセラコン	01
C213	US062100	C. GE. CHP	100pF 50V B		チップセラコン	01
C214	US126100	C. GE. CHP	1uF 10V		チップセラコン	01
C251	US062330	C. GE. CHP	330pF 50V B		チップセラコン	01
C252	US135100	C. GE. CHP	0.1uF 16V		チップセラコン	01
C253	US062330	C. GE. CHP	330pF 50V B		チップセラコン	01
C254	US062560	C. GE. CHP	560pF 50V B		チップセラコン	01
C255	US135100	C. GE. CHP	0.1uF 16V		チップセラコン	01
C256	UR837100	C. EL	10uF 16V		ケミコン	01
C257-258	US061270	C. GE. CHP	27pF 50V B		チップセラコン	01
C259	US163100	C. GE. CHP	1000pF 50V		チップセラコン	01
C260	US135100	C. GE. CHP	0.1uF 16V		チップセラコン	01
C263	US135100	C. GE. CHP	0.1uF 16V	CRX140	チップセラコン	01
C264	UR837100	C. EL	10uF 16V		ケミコン	01
C265	US135100	C. GE. CHP	0.1uF 16V		チップセラコン	01

* New Parts * 新規部品

P.C.B. MAIN

Ref No.	Part No.	Description	Remarks	Markets	部 品 名	ランク	
C266	US135100	C. CE. CHP	0. 1uF 16V		JUTGLV	チップセラコン	01
C267-268	US062100	C. CE. CHP	100pF 50V B			チップセラコン	01
C269	UR837100	C. EL	10uF 16V		JUTGLV	ケミコン	01
C270-273	US062100	C. CE. CHP	100pF 50V B		JUTGLV	チップセラコン	01
C274	UR237100	C. EL	10uF 16V			ケミコン	
C275	US046100	C. CE. CHP	1uF 25V		AB	チップセラコン	01
C276	UR237100	C. EL	10uF 16V			ケミコン	
C277	US046100	C. CE. CHP	1uF 25V		JUTGLV	チップセラコン	01
C278	UR237100	C. EL	10uF 16V			ケミコン	
C279-280	UR266220	C. EL	2. 2uF 50V			ケミコン	
C281	UR838100	C. EL	100uF 16V			ケミコン	01
C282	UR237100	C. EL	10uF 16V			ケミコン	
C283	US046100	C. CE. CHP	1uF 25V		JUTGLV	チップセラコン	01
C284	UR237100	C. EL	10uF 16V			ケミコン	
C285	US046100	C. CE. CHP	1uF 25V		AB	チップセラコン	01
C286	UR237100	C. EL	10uF 16V			ケミコン	
C287	US135100	C. CE. CHP	0. 1uF 16V			チップセラコン	01
C290	US135100	C. CE. CHP	0. 1uF 16V			チップセラコン	01
C291	US135100	C. CE. CHP	0. 1uF 16V		JUTGLV	チップセラコン	01
C292	UR218470	C. EL	470uF 6. 3V			ケミコン	
C293	US135100	C. CE. CHP	0. 1uF 16V			チップセラコン	01
C294	UU238100	C. EL	100uF 16V			ケミコン	01
C295-296	WJ606000	C. MYLAR	0. 068uF 50V			マイラーコン	
C300	WJ606000	C. MYLAR	0. 068uF 50V			マイラーコン	
C300-301	WJ606000	C. MYLAR	0. 068uF 50V			マイラーコン	
C302	UR838100	C. EL	100uF 16V			ケミコン	01
C303	US135100	C. CE. CHP	0. 1uF 16V	GRX040		チップセラコン	01
C304-305	UR237100	C. EL	10uF 16V			ケミコン	
C306	US135100	C. CE. CHP	0. 1uF 16V			チップセラコン	01
C307-308	WJ604600	C. MYLAR	5600pF 50V			マイラーコン	01
C309-310	UR237220	C. EL	22uF 16V			ケミコン	
C311-312	VR169200	C. MYLAR	0. 47uF 50V			マイラーコン	01
C314	UR837100	C. EL	10uF 16V			ケミコン	01
C315	US135100	C. CE. CHP	0. 1uF 16V			チップセラコン	01
C316-317	US062330	C. CE. CHP	330pF 50V B			チップセラコン	01
C318-319	US061330	C. CE. CHP	33pF 50V B			チップセラコン	01
C320-321	WJ604400	C. MYLAR	3900pF 50V J			マイラーコン	01
C324	US135100	C. CE. CHP	0. 1uF 16V			チップセラコン	01
C325	US062100	C. CE. CHP	100pF 50V B			チップセラコン	01
C326	UR838470	C. EL	470uF 16V			ケミコン	01
C329	US062100	C. CE. CHP	100pF 50V B			チップセラコン	01
C331-332	UR838100	C. EL	100uF 16V			ケミコン	01
C333	US135100	C. CE. CHP	0. 1uF 16V			チップセラコン	01
C334-335	UR266100	C. EL	1uF 50V			ケミコン	01
C337-338	UR266100	C. EL	1uF 50V			ケミコン	01
C339	UR837100	C. EL	10uF 16V			ケミコン	01
C340	WN019700	C. CE. CHP	2. 2uF 16V			チップセラコン	01
C342	US135100	C. CE. CHP	0. 1uF 16V			チップセラコン	01
C343	US065100	C. CE. CHP	0. 1uF 50V B			チップセラコン	01
C344	UR238220	C. EL	220uF 16V			ケミコン	01
C345-346	US065100	C. CE. CHP	0. 1uF 50V B			チップセラコン	01
C347	UR238220	C. EL	220uF 16V			ケミコン	01
C348-352	US062100	C. CE. CHP	100pF 50V B	GRX140		チップセラコン	01
C353-354	US065100	C. CE. CHP	0. 1uF 50V B			チップセラコン	01
C355-356	UR238220	C. EL	220uF 16V			ケミコン	01
C357	US135100	C. CE. CHP	0. 1uF 16V			チップセラコン	01
C358	US063100	C. CE. CHP	1000pF 50V B			チップセラコン	01

* New Parts * 新規部品

CRX-040/CRX-140/NS-BP80

CRX-040

CRX-140

P.C.B. MAIN

Ref No.	Part No.	Description	Remarks	Markets	部 品 名	ランク
C359	US135100	C. GE. CHP	0. 1uF 16V		チップセラコン	01
C360	US061270	C. GE. CHP	27pF 50V B		チップセラコン	01
C361	US061180	C. GE. CHP	18pF 50V B		チップセラコン	01
C362	US062100	C. GE. CHP	100pF 50V B		チップセラコン	01
C363-364	US062100	C. GE. CHP	100pF 50V B		チップセラコン	01
C365	US135100	C. GE. CHP	0. 1uF 16V		チップセラコン	01
C366-369	VR168500	C. MYLAR. ML	ECQ-V1H154JL3		積層マイラーコン	01
C370	US135100	C. GE. CHP	0. 1uF 16V		チップセラコン	01
C371-372	VR169000	C. MYLAR	0. 33uF 50V		マイラーコン	01
C373-374	VR168500	C. MYLAR. ML	ECQ-V1H154JL3		積層マイラーコン	01
C375-376	US163100	C. GE. CHP	1000pF 50V		チップセラコン	01
C377	US063100	C. GE. CHP	1000pF 50V B		チップセラコン	01
C378-379	US163100	C. GE. CHP	1000pF 50V		チップセラコン	01
C380-381	US135100	C. GE. CHP	0. 1uF 16V		チップセラコン	01
C382	US065100	C. GE. CHP	0. 1uF 50V B		チップセラコン	01
C383	UR818470	C. EL	470uF 6. 3V		ケミコン	01
C384	US062100	C. GE. CHP	100pF 50V B		チップセラコン	01
C385	US135100	C. GE. CHP	0. 1uF 16V		チップセラコン	01
C388-389	US062100	C. GE. CHP	100pF 50V B		チップセラコン	01
C390	US046100	C. GE. CHP	1uF 25V		チップセラコン	01
C391-392	US062100	C. GE. CHP	100pF 50V B		チップセラコン	01
C393	US163100	C. GE. CHP	1000pF 50V		チップセラコン	01
C394-395	US062100	C. GE. CHP	100pF 50V B		チップセラコン	01
C396	US163100	C. GE. CHP	1000pF 50V		チップセラコン	01
C397-399	US062100	C. GE. CHP	100pF 50V B		チップセラコン	01
C400-401	US135100	C. GE. CHP	0. 1uF 16V		チップセラコン	01
C402	US163100	C. GE. CHP	1000pF 50V		チップセラコン	01
C403-404	US065100	C. GE. CHP	0. 1uF 50V B		チップセラコン	01
C405	US064100	C. GE. CHP	0. 01uF 50V B		チップセラコン	01
C407-408	US062100	C. GE. CHP	100pF 50V B		チップセラコン	01
C409	UR218470	C. EL	470uF 6. 3V		ケミコン	01
C410	US065100	C. GE. CHP	0. 1uF 50V B		チップセラコン	01
C411	US064100	C. GE. CHP	0. 01uF 50V B		チップセラコン	01
C412	US065100	C. GE. CHP	0. 1uF 50V B		チップセラコン	01
C413-414	US064100	C. GE. CHP	0. 01uF 50V B		チップセラコン	01
C415	US065100	C. GE. CHP	0. 1uF 50V B		チップセラコン	01
C416	US064100	C. GE. CHP	0. 01uF 50V B		チップセラコン	01
C417	US065100	C. GE. CHP	0. 1uF 50V B		チップセラコン	01
C418	US135100	C. GE. CHP	0. 1uF 16V	CRX140	チップセラコン	01
C419	UR837100	C. EL	10uF 16V	CRX140	ケミコン	01
C420	US062100	C. GE. CHP	100pF 50V B		チップセラコン	01
* C421-422	WP882000	C. GE. CHP	10uF 6. 3V	CRX140	チップセラコン	01
C423-426	VR169300	C. MYLAR	0. 56uF 50V		マイラーコン	01
C429	US135100	C. GE. CHP	0. 1uF 16V		チップセラコン	01
C430	UR837100	C. EL	10uF 16V		ケミコン	01
C431	UR218470	C. EL	470uF 6. 3V		ケミコン	01
C432-435	US062100	C. GE. CHP	100pF 50V B		チップセラコン	01
C436-437	UR237100	C. EL	10uF 16V		ケミコン	01
C438-439	WJ605000	C. MYLAR	0. 01uF 50V J		マイラーコン	01
C440	UR838100	C. EL	100uF 16V		ケミコン	01
C441-450	US163100	C. GE. CHP	1000pF 50V		チップセラコン	01
C451-452	US062100	C. GE. CHP	100pF 50V B		チップセラコン	01
C453-454	US135100	C. GE. CHP	0. 1uF 16V		チップセラコン	01
C455-460	US062100	C. GE. CHP	100pF 50V B		チップセラコン	01
C461-464	US163100	C. GE. CHP	1000pF 50V		チップセラコン	01
C465	US065100	C. GE. CHP	0. 1uF 50V B	CRX140	チップセラコン	01
C466	WD758100	C. GE. CHP	22uF 6. 3V	CRX140	チップセラコン	01

* New Parts * 新規部品

P.C.B. MAIN

Ref No.	Part No.	Description	Remarks	Markets	部 品 名	ランク
C501-502	US135100	C. CE. CHP	0. 1uF 16V		チップセラコン	01
* C503-504	WP882000	C. CE. CHP	10uF 6. 3V		チップセラコン	
C507	US163100	C. CE. CHP	1000pF 50V		チップセラコン	01
C508	UR817470	C. EL	47uF 6. 3V		ケミコン	01
C509	UR838100	C. EL	100uF 16V		ケミコン	01
C511	US135100	C. CE. CHP	0. 1uF 16V		チップセラコン	01
C512	UR838100	C. EL	100uF 16V		ケミコン	01
C513	US135100	C. CE. CHP	0. 1uF 16V		チップセラコン	01
C514-515	US063220	C. CE. CHP	2200pF 50V B		チップセラコン	01
C516-517	US063150	C. CE. CHP	1500pF 50V B		チップセラコン	01
C518	UR838100	C. EL	100uF 16V		ケミコン	01
C519	US135100	C. CE. CHP	0. 1uF 16V		チップセラコン	01
C520	US135220	C. CE. CHP	0. 22uF 16V		チップセラコン	01
C521	US135100	C. CE. CHP	0. 1uF 16V		チップセラコン	01
C522	US062680	C. CE. CHP	680pF 50V B		チップセラコン	01
C523	US044220	C. CE. CHP	0. 022uF 25V B		チップセラコン	01
C524	US135100	C. CE. CHP	0. 1uF 16V		チップセラコン	01
C525	US163100	C. CE. CHP	1000pF 50V		チップセラコン	01
C526	US034820	C. CE. CHP	0. 082uF 16V K		チップセラコン	01
C527	US163100	C. CE. CHP	1000pF 50V		チップセラコン	01
C528	US135330	C. CE. CHP	0. 33uF 16V		チップセラコン	01
C529	UR818100	C. EL	100uF 6. 3V		ケミコン	01
C530	WG251600	C. CE. CHP	4. 7uF 6. 3V		チップセラコン	01
C531	UR818100	C. EL	100uF 6. 3V		ケミコン	01
C532	US044220	C. CE. CHP	0. 022uF 25V B		チップセラコン	01
C533	US063330	C. CE. CHP	3300pF 50V B		チップセラコン	01
C534	US135330	C. CE. CHP	0. 33uF 16V		チップセラコン	01
C535	US135100	C. CE. CHP	0. 1uF 16V		チップセラコン	01
C536	US135150	C. CE. CHP	0. 15uF 16V		チップセラコン	01
C537-538	US135100	C. CE. CHP	0. 1uF 16V		チップセラコン	01
C539	UR218100	C. EL	100uF 6. 3V		ケミコン	
C540	UU238100	C. EL	100uF 16V		ケミコン	01
C541	UR218100	C. EL	100uF 6. 3V		ケミコン	
C543	US135100	C. CE. CHP	0. 1uF 16V		チップセラコン	01
C545	US135100	C. CE. CHP	0. 1uF 16V		チップセラコン	01
C546	UR818100	C. EL	100uF 6. 3V		ケミコン	01
C547	US135100	C. CE. CHP	0. 1uF 16V		チップセラコン	01
C548	UR818100	C. EL	100uF 6. 3V		ケミコン	01
C550	US061180	C. CE. CHP	18pF 50V B		チップセラコン	01
C551	US135100	C. CE. CHP	0. 1uF 16V		チップセラコン	01
C552	US061180	C. CE. CHP	18pF 50V B		チップセラコン	01
C554	US135100	C. CE. CHP	0. 1uF 16V		チップセラコン	01
C556	US135100	C. CE. CHP	0. 1uF 16V		チップセラコン	01
* C557	WP882000	C. CE. CHP	10uF 6. 3V		チップセラコン	
C558	US135100	C. CE. CHP	0. 1uF 16V		チップセラコン	01
* C559	WP882000	C. CE. CHP	10uF 6. 3V		チップセラコン	
C560	US135100	C. CE. CHP	0. 1uF 16V		チップセラコン	01
* C561	WP882000	C. CE. CHP	10uF 6. 3V		チップセラコン	
C562	US163100	C. CE. CHP	1000pF 50V		チップセラコン	01
C563-564	US135100	C. CE. CHP	0. 1uF 16V		チップセラコン	01
C565-566	US063100	C. CE. CHP	1000pF 50V B		チップセラコン	01
C567	US135100	C. CE. CHP	0. 1uF 16V		チップセラコン	01
C568-569	US063100	C. CE. CHP	1000pF 50V B		チップセラコン	01
C570	US135100	C. CE. CHP	0. 1uF 16V		チップセラコン	01
C571-572	US063100	C. CE. CHP	1000pF 50V B		チップセラコン	01
C573-574	US163100	C. CE. CHP	1000pF 50V		チップセラコン	01
C575-577	US135100	C. CE. CHP	0. 1uF 16V		チップセラコン	01

* New Parts * 新規部品

CRX-040/CRX-140/
NS-BP80

CRX-040

CRX-140

P.C.B. MAIN

Ref No.	Part No.	Description	Remarks	Markets	部 品 名	ランク
C578	US163100	C. GE. CHP	1000pF 50V		チップセラコン	01
C579-580	US135100	C. GE. CHP	0. 1uF 16V		チップセラコン	01
C581	US163100	C. GE. CHP	1000pF 50V		チップセラコン	01
C582	US135100	C. GE. CHP	0. 1uF 16V		チップセラコン	01
C583-585	UR817470	C. EL	47uF 6. 3V		ケミコン	01
C586	US135100	C. GE. CHP	0. 1uF 16V		チップセラコン	01
C587	US163100	C. GE. CHP	1000pF 50V		チップセラコン	01
C588	UR817470	C. EL	47uF 6. 3V		ケミコン	01
C589-591	US135100	C. GE. CHP	0. 1uF 16V		チップセラコン	01
C594	US064100	C. GE. CHP	0. 01uF 50V B		チップセラコン	01
C701	US062100	C. GE. CHP	100pF 50V B	CRX040	チップセラコン	01
C713	US135100	C. GE. CHP	0. 1uF 16V	CRX040	チップセラコン	01
C714	US064100	C. GE. CHP	0. 01uF 50V B	CRX040	チップセラコン	01
C717	US163100	C. GE. CHP	1000pF 50V	CRX040	チップセラコン	01
C719	US064100	C. GE. CHP	0. 01uF 50V B	CRX040	チップセラコン	01
C723-726	US163100	C. GE. CHP	1000pF 50V	CRX040	チップセラコン	01
C901	UR858470	C. EL	470uF 35V		AB ケミコン	01
C902	US064100	C. GE. CHP	0. 01uF 50V B		AB チップセラコン	01
C903	US163100	C. GE. CHP	1000pF 50V		AB チップセラコン	01
C904	WF547900	C. GE. CHP	10uF 25V		AB チップセラコン	01
C905-906	WH311600	C. GE. CHP	10uF 10V		AB チップセラコン	01
C907-908	US163100	C. GE. CHP	1000pF 50V		AB チップセラコン	01
C910	US163100	C. GE. CHP	1000pF 50V		AB チップセラコン	01
C911	US064100	C. GE. CHP	0. 01uF 50V B		AB チップセラコン	01
C912	US163100	C. GE. CHP	1000pF 50V		AB チップセラコン	01
C913	US064100	C. GE. CHP	0. 01uF 50V B		AB チップセラコン	01
C914	UR818100	C. EL	100uF 6. 3V		AB ケミコン	01
C915	US135100	C. GE. CHP	0. 1uF 16V		AB チップセラコン	01
C916	WP882000	C. GE. CHP	10uF 6. 3V		AB チップセラコン	01
C917	UR818100	C. EL	100uF 6. 3V		AB ケミコン	01
C924	US064100	C. GE. CHP	0. 01uF 50V B		AB チップセラコン	01
D101-102	WK272200	DIODE. CHP	RB160M-60 TR		チップダイオード	01
D103-104	VT332900	DIODE	1SS355		ダイオード	01
D105	VU172200	DIODE. ZENR	UDZ6. 8B 6. 8V		ツェナーダイオード	01
D106	VT532500	DIODE	1SR154-400		ダイオード	01
D107	V4756800	DIODE. BRG	S1NB60 1A 600V		ダイオードブリッジ	01
D108	VU173400	DIODE. ZENR	UDZS22B TE-17 22V		ツェナーダイオード	01
D109	WK272200	DIODE. CHP	RB160M-60 TR		チップダイオード	01
D110	VT532500	DIODE	1SR154-400		ダイオード	01
D111-112	VT332900	DIODE	1SS355		ダイオード	01
D113	V4756800	DIODE. BRG	S1NB60 1A 600V		ダイオードブリッジ	01
D114	VN953300	DIODE. BRG	D5SBA60 5A 600V		ダイオードブリッジ	04
D117	VU172000	DIODE. ZENR	UDZS5. 6BTE-17 5. 6V		ツェナーダイオード	01
D252	VU172600	DIODE. ZENR	UDZS10B 10V		JUTGLV ツェナーダイオード	01
* D253	WS694100	DIODE. ZENR	HZU5. 1B3 TRF-E		ツェナーダイオード	01
D254	VT332900	DIODE	1SS355		ダイオード	01
D255	VU172600	DIODE. ZENR	UDZS10B 10V		ツェナーダイオード	01
* D256	WS696000	DIODE. ZENR	HZU8. 2B2 TRF-E		ツェナーダイオード	01
* D257-258	WS695200	DIODE. ZENR	HZU6. 8B2 TRF-E		ツェナーダイオード	01
* D259	WS696000	DIODE. ZENR	HZU8. 2B2 TRF-E		ツェナーダイオード	01
D260-263	V2376600	DIODE. SHOT	RB500V-40		ショットキーダイオード	01
D264	VT332900	DIODE	1SS355		ダイオード	01
D266	VT332900	DIODE	1SS355		ダイオード	01
D271	VT332900	DIODE	1SS355		ダイオード	01
D272-273	V2376600	DIODE. SHOT	RB500V-40		ショットキーダイオード	01
D276-279	VT332900	DIODE	1SS355	CRX140	ダイオード	01
* D280	WS696600	DIODE. ZENR	HZU10B1 TRF-E	CRX140	ツェナーダイオード	01

* New Parts * 新規部品

CRX-040 **CRX-140**

P.C.B. MAIN

Ref No.	Part No.	Description	Remarks	Markets	部 品 名	ランク	
* D281	WS695200	DIODE. ZENR	HZU6. 8B2 TRF-E	CRX140		ツェナーダイオード	
* D282	WS696600	DIODE. ZENR	HZU10B1 TRF-E	CRX140		ツェナーダイオード	
* D283	WS695200	DIODE. ZENR	HZU6. 8B2 TRF-E	CRX140		ツェナーダイオード	
D501-502	VT332900	DIODE	1SS355			ダイオード	01
D701-702	VT332900	DIODE	1SS355	CRX040		ダイオード	01
D703	WC413300	DIODE. ZENR	RSB6. 8S 6. 8V	CRX040		ツェナーダイオード	01
D901	WK272200	DIODE. CHP	RB160M-60 TR		AB	チップダイオード	01
IC101	X8096A00	IC	R5523N001A-TR-F			電源 IC	03
IC102	YA893A00	IC	RP102N331D-TR-F			電源 IC	
IC103-104	X9850A00	IC	BD9870FPS			電源 IC	05
IC105	XJ608A00	IC	NJM7812FA			IC	02
IC106	X6770A00	IC	NJM431U (TE1)			電源 IC	01
IC107	X9850A00	IC	BD9870FPS			電源 IC	05
IC108	YA893A00	IC	RP102N331D-TR-F			電源 IC	
IC251	X8235A00	IC	LC72725KM		G	IC	
IC252	X8201A00	IC	TC7WH125FK			ロジック IC	01
IC256	X9799A00	IC	R2A15908SP			IC	04
IC257	X3586B00	IC	TC74VHCT08AFT EL, K		JUTGLV	ロジック IC	01
IC259	X2331A00	IC	NJM4580E OP AMP			アンプ IC	01
IC262	X2331A00	IC	NJM4580E OP AMP			アンプ IC	01
IC264	X2331A00	IC	NJM4580E OP AMP			アンプ IC	01
IC267	YA013A00	IC. CPU	R5F3640DNFA CPU	unwritten		CPU IC	09
IC268	X9056A00	IC	M24C02-RDW6TP			メモリ IC	03
IC269	X7717A00	IC	R3112N251A-TR			リセット IC	01
IC270	YA160A00	IC	R1154H001C-T1-F			電源 IC	03
IC271-272	X2331A00	IC	NJM4580E OP AMP	CRX140		アンプ IC	01
IC501	X8685A00	IC	AN41010A-VF			ドライバー IC	07
* IC503	YC086A00	IC. CPU. CD	MN6627971YC	MASK ROM		IC フラット	
IC504	X9911A00	IC. CPU. USB	MN103SFB5KYAA	MASK ROM		CPU IC	09
IC505	X5693B00	IC	M12L16161A-7TG			メモリ IC 16M	
IC901	X9850A00	IC	BD9870FPS		AB	電源 IC	05
IC902	X9292A00	IC	R1172H121D-T1-F		AB	電源 IC	01
Q101	WQ381000	FET	MCH6336-TL-E			MOS FET	01
Q102	VV556500	TR	2SA1037K Q, R, S			トランジスタ	01
Q103	VV556400	TR	2SC2412K Q, R, S			トランジスタ	01
Q104	VE613300	TR	2SB1237 Q, R			トランジスタ	01
Q105	VV556400	TR	2SC2412K Q, R, S			トランジスタ	01
Q106	WR877100	FET	STF1305 TP-FA			FET	
Q107	WQ381000	FET	MCH6336-TL-E	CRX140		MOS FET	01
Q108-111	VV556400	TR	2SC2412K Q, R, S			トランジスタ	01
Q251-252	VV556400	TR	2SC2412K Q, R, S		G	トランジスタ	01
Q253	WB228800	TR	KTC3198 Y AT		JUTGLV	トランジスタ	
Q254-255	VV556400	TR	2SC2412K Q, R, S			トランジスタ	01
Q257-258	VD303700	TR	2SC3326 A, B			トランジスタ	01
Q260-261	VD303700	TR	2SC3326 A, B			トランジスタ	01
Q262	VV655300	TR. DGT	DTA144EKA			デジタルトランジスタ	01
Q263	WH445000	FET	3LN01C-TB-E	CRX140		FET	01
Q264	VV556400	TR	2SC2412K Q, R, S			トランジスタ	01
Q265	VV556500	TR	2SA1037K Q, R, S			トランジスタ	01
Q266-267	VV556400	TR	2SC2412K Q, R, S			トランジスタ	01
Q268	VV655700	TR. DGT	DTC144EKA	CRX140		デジタルトランジスタ	01
Q269	WJ122600	FET	2SK2145 Y TP			FET	03
Q270	WQ381000	FET	MCH6336-TL-E			MOS FET	01
Q501	VV556500	TR	2SA1037K Q, R, S			トランジスタ	01
Q701-702	WH445000	FET	3LN01C-TB-E	CRX040		FET	01
R114	HV753220	R. CAR. FP	2. 2Ω 1/4W			不燃化カーボン抵抗	01
R259	HV754100	R. CAR. FP	10Ω 1/4W		G	不燃化カーボン抵抗	01

* New Parts * 新規部品

CRX-040/CRX-140/
NS-BP80

CRX-040

CRX-140

P.C.B. MAIN and P.C.B. SUB

Ref No.	Part No.	Description	Remarks	Markets	部 品 名	ランク	
R264	HV754100	R. CAR. FP	10Ω 1/4W		JUTGLV	不燃化カーボン抵抗	01
R288	HV754100	R. CAR. FP	10Ω 1/4W			不燃化カーボン抵抗	01
R301	HV754100	R. CAR. FP	10Ω 1/4W			不燃化カーボン抵抗	01
R321	HV755120	R. CAR. FP	120Ω 1/4W			不燃化カーボン抵抗	01
R345-346	HV754330	R. CAR. FP	33Ω 1/4W			不燃化カーボン抵抗	01
R400-401	VP940000	R. MTL. OXD	22Ω 1W			酸化金属被膜抵抗	01
* R403	WT901100	R. MTL. OXD	0.22Ω 2W			酸化金属被膜抵抗	
* R406	WT901100	R. MTL. OXD	0.22Ω 2W			酸化金属被膜抵抗	
TE251	WB213900	TERM. SP	MSP-113V2-03 PUSH			スピーカーターミナル	03
XL251	WF152800	RSNR. CRY5	4.332MHz		G	水晶振動子	
XL252	WC522900	RSNR. CE	GSTGE20MOV51-R0			セラミック振動子	01
XL253	VQ328900	RSNR. CRY5	32.768KHz			水晶振動子	01
XL501	WB872100	RSNR. CRY5	16.9344MHz			水晶振動子	03
XL502	WQ332600	RSNR. CE	12MHz			セラミック発振子	02
	WE774200	SCR. BND. HD	3x10 MFZN2W3			バインドBタイトネジ	01
* * * * *	WS476600	P. C. B.	SUB	CRX140	J	P C B S U B	
* * * * *	WS477300	P. C. B.	SUB	CRX040	J	P C B S U B	
* * * * *	WS476700	P. C. B.	SUB	CRX140	U	P C B S U B	
* * * * *	WS477400	P. C. B.	SUB	CRX040	U	P C B S U B	
* * * * *	WS476800	P. C. B.	SUB	CRX140	T	P C B S U B	
* * * * *	WS477500	P. C. B.	SUB	CRX040	TK	P C B S U B	
* * * * *	WS476900	P. C. B.	SUB	CRX140	A	P C B S U B	
* * * * *	WS477600	P. C. B.	SUB	CRX040	A	P C B S U B	
* * * * *	WS477000	P. C. B.	SUB	CRX140	BG	P C B S U B	
* * * * *	WS477700	P. C. B.	SUB	CRX040	BG	P C B S U B	
* * * * *	WS477100	P. C. B.	SUB	CRX140	L	P C B S U B	
* * * * *	WS477800	P. C. B.	SUB	CRX040	L	P C B S U B	
* * * * *	WS477200	P. C. B.	SUB	CRX140	V	P C B S U B	
* * * * *	WS477900	P. C. B.	SUB	CRX040	V	P C B S U B	
△ CB1-2	WN077700	CLIP. FUSE	CLIP PFC5000-0202F			ヒューズクリップ	
CB3	VG879900	CN. BS. PIN	2P			ベースピン	01
CB801	VK015500	CN. BS. PIN	15P			コネクタベースポスト	01
CB802	VH904200	CN. BS. PIN	14P			コネクタベースポスト	01
CB803	WQ680200	CN. USB	4P TE AAPVA004C0			USBコネクタ	02
C4	WN826300	C. CE. SAFTY	0.01uF 250V			規格認定コン	01
C5	UR839100	C. EL	1000uF 16V			ケミコン	01
C6	UR858470	C. EL	470uF 35V			ケミコン	01
C801-802	US135100	C. CE. CHP	0.1uF 16V			チップセラコン	01
C803-804	US163100	C. CE. CHP	1000pF 50V			チップセラコン	01
C805	UM397100	C. EL	10uF 16V			ケミコン	01
C806-807	US135100	C. CE. CHP	0.1uF 16V			チップセラコン	01
C808	US062220	C. CE. CHP	220pF 50V B			チップセラコン	01
C810	US135100	C. CE. CHP	0.1uF 16V			チップセラコン	01
C811	UM388330	C. EL	330uF 6.3V			ケミコン	01
C812	US135100	C. CE. CHP	0.1uF 16V			チップセラコン	01
C813	US061680	C. CE. CHP	68pF 50V B			チップセラコン	01
C814	WQ711900	C. EL	47uF 35V			ケミコン	01
C815-816	US065100	C. CE. CHP	0.1uF 50V B			チップセラコン	01
C817	UM408100	C. EL	100uF 25V			ケミコン	01
C818	US064100	C. CE. CHP	0.01uF 50V B			チップセラコン	01
C819	US062220	C. CE. CHP	220pF 50V B			チップセラコン	01
C820	UM408100	C. EL	100uF 25V			ケミコン	01
C821	US061220	C. CE. CHP	22pF 50V B			チップセラコン	01
C822-823	US064100	C. CE. CHP	0.01uF 50V B			チップセラコン	01

* New Parts * 新規部品

P.C.B. SUB and P.C.B. CONNECTOR

Ref No.	Part No.	Description	Remarks	Markets	部 品 名	ランク
C826	US062220	C. CE. CHP	220pF 50V B		チップセラコン	01
C828-831	US063330	C. CE. CHP	3300pF 50V B		チップセラコン	01
C833	US062220	C. CE. CHP	220pF 50V B		チップセラコン	01
C834	US163100	C. CE. CHP	1000pF 50V		チップセラコン	01
C839	US064100	C. CE. CHP	0.01uF 50V B		チップセラコン	01
C841	US064100	C. CE. CHP	0.01uF 50V B		チップセラコン	01
C842	US065100	C. CE. CHP	0.1uF 50V B		チップセラコン	01
△ D1	VT532500	DIODE	1SR154-400		ダイオード	01
D2	V4756800	DIODE. BRG	S1NB60 1A 600V		ダイオードブリッジ	01
* D3	WS697400	DIODE. ZENR	HZU12B2 TRF-E		ツェナーダイオード	
* D801-802	WS692300	DIODE. ZENR	HZU3.3B2 TRF-E		ツェナーダイオード	
D803-804	VT332900	DIODE	1SS355		ダイオード	01
D813-816	VT332900	DIODE	1SS355		ダイオード	01
△ * F1	WC804500	FUSE	T1.25A 125V	JUV	ヒューズ	
△ F1	VV335200	FUSE	T0.5A 250V	TABGL	ヒューズ	04
IC801	X6386A00	IC	M66003-0131FP		IC	07
* JK801-802	WS275800	JACK. MINI	MSJ-035-18L-B-AGSR		ミニジャック	
Q1	VY677600	TR. DGT	DTC123JKA TP		デジタルトランジスタ	01
Q801	VV556400	TR	2SC2412K Q, R, S		トランジスタ	01
Q802	VP872700	TR	2SC4488 S, T		トランジスタ	01
Q803	VP872600	TR	2SA1708 S, T		トランジスタ	01
Q804	VP872700	TR	2SC4488 S, T		トランジスタ	01
Q805	VV556400	TR	2SC2412K Q, R, S		トランジスタ	01
R1	HV754470	R. CAR. FP	47Ω 1/4W		不燃化カーボン抵抗	01
△ RY1	V5859300	RELAY	DC DLS12D1-0 (M)		リレー 12V	04
ST801-803	WA789600	SCR. TERM	M3		スクリューターミナル	
△ SW1	WC906700	SW. SLIDE	SDKPA40300	LV	スライドSW	06
SW801-804	V4757100	SW. TACT	EVQ11A		タクトSW	01
SW805	WF714900	SW. RT. ENC	EVEKC2F2024M		ロータリーエンコーダ	02
SW806	V4757100	SW. TACT	EVQ11A		タクトSW	01
△ * T1	YA911A00	TRANS. SUB		CRX140	サブトランス	
△ * T1	YA905A00	TRANS. SUB		CRX040	サブトランス	
△ * T1	YA912A00	TRANS. SUB		CRX140	サブトランス	
△ * T1	YA906A00	TRANS. SUB		CRX040	サブトランス	
△ * T1	YA913A00	TRANS. SUB		CRX140	サブトランス	
△ * T1	YA907A00	TRANS. SUB		CRX040	サブトランス	
△ * T1	YA914A00	TRANS. SUB		CRX140	サブトランス	
△ * T1	YA908A00	TRANS. SUB		CRX040	サブトランス	
△ * T1	YA915A00	TRANS. SUB		CRX140	サブトランス	
△ * T1	YA909A00	TRANS. SUB		CRX040	サブトランス	
△ * T1	YA916A00	TRANS. SUB		CRX140	サブトランス	
△ * T1	YA910A00	TRANS. SUB		CRX040	サブトランス	
U801	WK918500	L. DTCT	GP1UE271RKVF		リモコン受光ユニット	03
V801	WHO34300	FL. DSPLY	16-BT-133GNK		蛍光表示管	08
	WH241600	FL. SPACER			スペーサー FL	01
* WS480700	P. C. B.	CONNECTOR		CRX140	PCB CONNECTOR	
CB601	WA545900	CN	30P TE FMN	CRX140	FFC/FPCコネクタ	01
CB602	VB389600	CN. BS. PIN	11P	CRX140	コネクタベースポスト	01
CB603	VB858900	CN. BS. PIN	10P	CRX140	ベースピン	01
CB604	VB858500	CN. BS. PIN	6P	CRX140	ベースピン	01
CB605	LB918020	CN. BS. PIN	2P	CRX140	ベース付ポスト	01
CB606	VQ044400	CN. BS. PIN	9P	CRX140	FFCコネクタ	01
C601	US135100	C. CE. CHP	0.1uF 16V	CRX140	チップセラコン	01
C603	UR866100	C. EL	1uF 50V	CRX140	ケミコン	01

* New Parts * 新規部品

CRX-040/CRX-140/NS-BP80

CRX-140

P.C.B. CONNECTOR

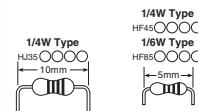
Ref No.	Part No.	Description	Remarks	Markets	部品名	ランク
C604	US135100	C. CE. CHP 0.1uF 16V	CRX140		チップセラコン	01
C605-606	UR818100	C. EL 100uF 6.3V	CRX140		ケミコン	01
C607-608	US135100	C. CE. CHP 0.1uF 16V	CRX140		チップセラコン	01
C610	US062100	C. CE. CHP 100pF 50V B	CRX140		チップセラコン	01
D611	UR837200	C. EL 22uF 16V	CRX140		ケミコン	01
D601	VT332900	D1ODE 1SS355	CRX140		ダイオード	01
I0601	X7699A00	IC BA00BC0WFP-E2	CRX140		電源IC T O 2 5 2	03
* ST601	WS070700	SPLING L	CRX140		スプリング L	
* ST602	WS070800	SPLING R	CRX140		スプリング R	

* New Parts * 新規部品

Carbon Resistors

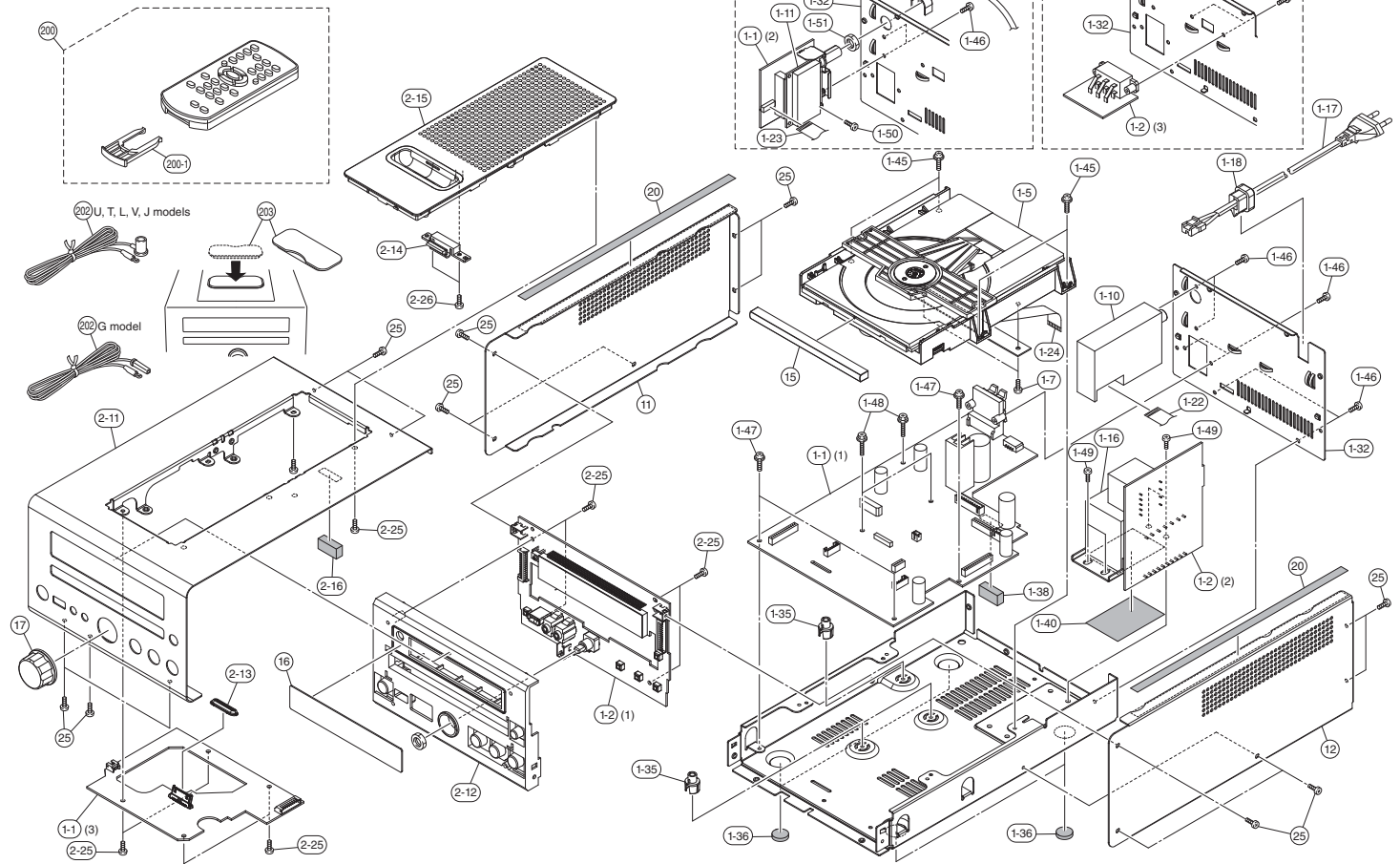
Value	1/4W Type Part No.	1/6W Type Part No.	Value	1/4W Type Part No.	1/6W Type Part No.
1.0 Ω	HJ35 3100	HF85 3100	11 kΩ	HF45 7110	HF45 7110
1.8 Ω	HJ35 3180	*	12 kΩ	HJ35 7120	HF85 7120
2.2 Ω	HJ35 3220	HF85 3220	13 kΩ	HF45 7130	HF45 7130
3.3 Ω	HJ35 3330	HF85 3330	15 kΩ	HF45 7150	HF45 7150
4.7 Ω	HJ35 3470	HF85 3470	18 kΩ	HF45 7180	HF45 7180
5.6 Ω	HJ35 3560	HF85 3560	22 kΩ	HF45 7220	HF45 7220
10 Ω	HF45 4100	HF45 4100	24 kΩ	HF45 7240	HF45 7240
15 Ω	HJ35 4150	HF85 4150	27 kΩ	HJ35 7270	HF85 7270
22 Ω	HF45 4220	HF45 4220	30 kΩ	HF45 7300	HF45 7300
27 Ω	HJ35 4270	HF85 4270	33 kΩ	HF45 7330	HF45 7330
33 Ω	HF45 4330	HF45 4330	36 kΩ	HF45 7360	HF45 7360
39 Ω	HJ35 4470	HF85 4390	39 kΩ	HF45 7390	HF45 7390
47 Ω	HF45 4470	HF45 4470	47 kΩ	HF45 7470	HF45 7470
56 Ω	HF45 4560	HF45 4560	51 kΩ	HF45 7510	HF45 7510
68 Ω	HF45 4680	HF45 4680	56 kΩ	HF45 7560	HF45 7560
75 Ω	HF45 4750	HF45 4750	62 kΩ	HF45 7620	HF45 7620
82 Ω	HF45 4820	HF45 4820	68 kΩ	HF45 7680	HF45 7680
91 Ω	HF45 4910	HF45 4910	82 kΩ	HF45 7820	HF45 7820
100 Ω	HF45 5100	HF45 5100	91 kΩ	HF45 7910	HF45 7910
110 Ω	HJ35 5110	HF85 5110	100 kΩ	HF45 8100	HF45 8100
120 Ω	HF45 5120	HF45 5120	110 kΩ	HF45 8110	HF45 8110
150 Ω	HF45 5150	HF45 5150	120 kΩ	HF45 8120	HF45 8120
160 Ω	HJ35 5160	*	130 kΩ	HF45 8130	*
180 Ω	HF45 5180	HF45 5180	150 kΩ	HF45 8150	HF45 8150
200 Ω	HF45 5200	HF45 5200	180 kΩ	HF45 8180	HF45 8180
220 Ω	HF45 5220	HF45 5220	220 kΩ	HJ35 8220	HF85 8220
270 Ω	HF45 5270	HF45 5270	270 kΩ	HF45 8270	HF45 8270
330 Ω	HF45 5330	HF45 5330	300 kΩ	HF45 8300	HF45 8300
390 Ω	HF45 5390	HF45 5390	330 kΩ	HF45 8330	HF45 8330
430 Ω	HF45 5430	HF45 5430	390 kΩ	HJ35 8390	HF85 8390
470 Ω	HF45 5470	HF45 5470	470 kΩ	HF45 8470	HF45 8470
510 Ω	HF45 5510	HF45 5510	560 kΩ	HJ35 8560	HF85 8560
560 Ω	HF45 5560	HF45 5560	680 kΩ	HJ35 8680	HF85 8680
680 Ω	HF45 5680	HF45 5680	820 kΩ	HJ35 8820	HF85 8820
820 Ω	HF45 5820	HF45 5820	1.0 MΩ	HF45 9100	HF45 9100
910 Ω	HF45 5910	HF45 5910	1.2 MΩ	*	*
1.0 kΩ	HF45 6100	HF45 6100	1.5 MΩ	HJ35 9150	HF85 9150
1.2 kΩ	HF45 6120	HF45 6120	1.8 MΩ	HJ35 9180	HF85 9180
1.5 kΩ	HF45 6150	HF45 6150	2.2 MΩ	HJ35 9220	HF85 9220
1.8 kΩ	HF45 6180	HF45 6180	3.3 MΩ	HJ35 9330	HF85 9330
2.0 kΩ	HJ35 6200	HF85 6200	3.9 MΩ	HJ35 9390	*
2.2 kΩ	HF45 6220	HF45 6220	4.7 MΩ	HJ35 9470	HF85 9470
2.4 kΩ	HJ35 6240	HF85 6240			
2.7 kΩ	HF45 6270	HF45 6270			
3.0 kΩ	HF45 6300	HF45 6300			
3.3 kΩ	HF45 6330	HF45 6330			
3.6 kΩ	HJ35 6360	HF85 6360			
3.9 kΩ	HF45 6390	HF45 6390			
4.7 kΩ	HF45 6470	HF45 6470			
5.1 kΩ	HF45 6510	HF45 6510			
5.6 kΩ	HF45 6560	HF45 6560			
6.8 kΩ	HF45 6680	HF45 6680			
8.2 kΩ	HF45 6820	HF45 6820			
9.1 kΩ	HF45 6910	HF45 6910			
10 kΩ	HF45 7100	HF45 7100			

* : Not available



CRX-040

• OVERALL ASS'Y



CRX-040

CRX-040

Ref No.	Part No.	Description	Remarks	Markets	部品名	ランク
* 1-1	WS476000	P. C. B. ASS'Y		J	P C B M A I N	
* 1-1	WS476100	P. C. B. ASS'Y		U	P C B M A I N	
* 1-1	WS476200	P. C. B. ASS'Y		TKLV	P C B M A I N	
* 1-1	WS476300	P. C. B. ASS'Y		A	P C B M A I N	
* 1-1	WS476400	P. C. B. ASS'Y		B	P C B M A I N	
* 1-1	WS476500	P. C. B. ASS'Y		G	P C B M A I N	
* 1-2	WS477300	P. C. B. ASS'Y		J	P C B S U B	
* 1-2	WS477400	P. C. B. ASS'Y		U	P C B S U B	
* 1-2	WS477500	P. C. B. ASS'Y		TK	P C B S U B	
* 1-2	WS477600	P. C. B. ASS'Y		A	P C B S U B	
* 1-2	WS477700	P. C. B. ASS'Y		BG	P C B S U B	
* 1-2	WS477800	P. C. B. ASS'Y		L	P C B S U B	
* 1-2	WS477900	P. C. B. ASS'Y		V	P C B S U B	
1-5	WS467000	LOADER MECHANISM UNIT	8829C-313AAM		ローダーメカユニット	12
1-7	WR513400	SCREW LOADER			ローダー スクリュー	01
1-10	WJ659000	FM TUNER	FAE381-J08N	J	F M チューナー	11
1-10	WJ659000	FM TUNER	FAE381-A08N	UTLV	F M チューナー	
1-10	WJ659100	FM TUNER	FAE481-E08N	KG	F M チューナー	
* 1-11	WT973000	DAB MODULE	VENICE 5.1 FS2025B	AB	D A B モジュール	
* 1-12	WK307000	DAB WIRE ANTENNA	1.6m	AB	D A B ワイヤアンテナ	
* 1-13	WS053900	DAB ANTENNA CAP		AB	D A B アンテナキャップ	
△ * 1-16	YA917A00	POWER TRANSFORMER		J	電源トランス	
△ * 1-16	YA918A00	POWER TRANSFORMER		U	電源トランス	
△ * 1-16	YA922A00	POWER TRANSFORMER		TKL	電源トランス	
△ * 1-16	YA920A00	POWER TRANSFORMER		A	電源トランス	
△ * 1-16	YA921A00	POWER TRANSFORMER		BG	電源トランス	
△ * 1-16	YA923A00	POWER TRANSFORMER		V	電源トランス	
△	WR636300	POWER CABLE	1.8m	J	電源コード	
△	WB120500	POWER CABLE	2m	U	電源コード	
△	WB120600	POWER CABLE	2m	T	電源コード	
△	WC753000	POWER CABLE	2m	K	電源コード	
△	WC743700	POWER CABLE	2m	A	電源コード	
△	WB212200	POWER CABLE	2m	B	電源コード	
△	WB212300	POWER CABLE	2m	GL	電源コード	
△	WC992700	POWER CABLE	2m	V	電源コード	
△	V2438700	CORD STOPPER	10P1		コードストッパー	02
1-22	WR387100	FLEXIBLE FLAT CABLE	13P 140mm P=1.25	JUTKGLV	カード電線	
1-23	WR381800	FLEXIBLE FLAT CABLE	8P 180mm P=1.25	AB	カード電線	
* 1-24	WS488200	FLEXIBLE FLAT CABLE	24P 220mm P=0.5		カード電線	
* 1-32	WS056100	REAR PANEL		J	リアパネル	
* 1-32	WS056200	REAR PANEL		U	リアパネル	
* 1-32	WS056300	REAR PANEL		T	リアパネル	
* 1-32	WS056400	REAR PANEL		K	リアパネル	
* 1-32	WS056500	REAR PANEL		A	リアパネル	
* 1-32	WS056600	REAR PANEL		B	リアパネル	
* 1-32	WS056700	REAR PANEL		G	リアパネル	
* 1-32	WS056800	REAR PANEL		L	リアパネル	
* 1-32	WS056900	REAR PANEL		V	リアパネル	
1-35	WH242000	SUPPORT H8			サポート H 8	01
* 1-36	WS059200	LEG	Dxx		レッグ	
* 1-38	WS637100	DAMPER	6x14x10		ダンパー	
* 1-40	WT622600	PACKING	40x50		パッキング	
1-45	WE774400	BIND HEAD B-TIGHT SCREW	3x8 MFZN2B3		バインドBタイトネジ	01
1-46	WE774100	BIND HEAD BONDING B-T. SCREW	3x8 MFZN2B3		ボンディングBタイトネジ	01

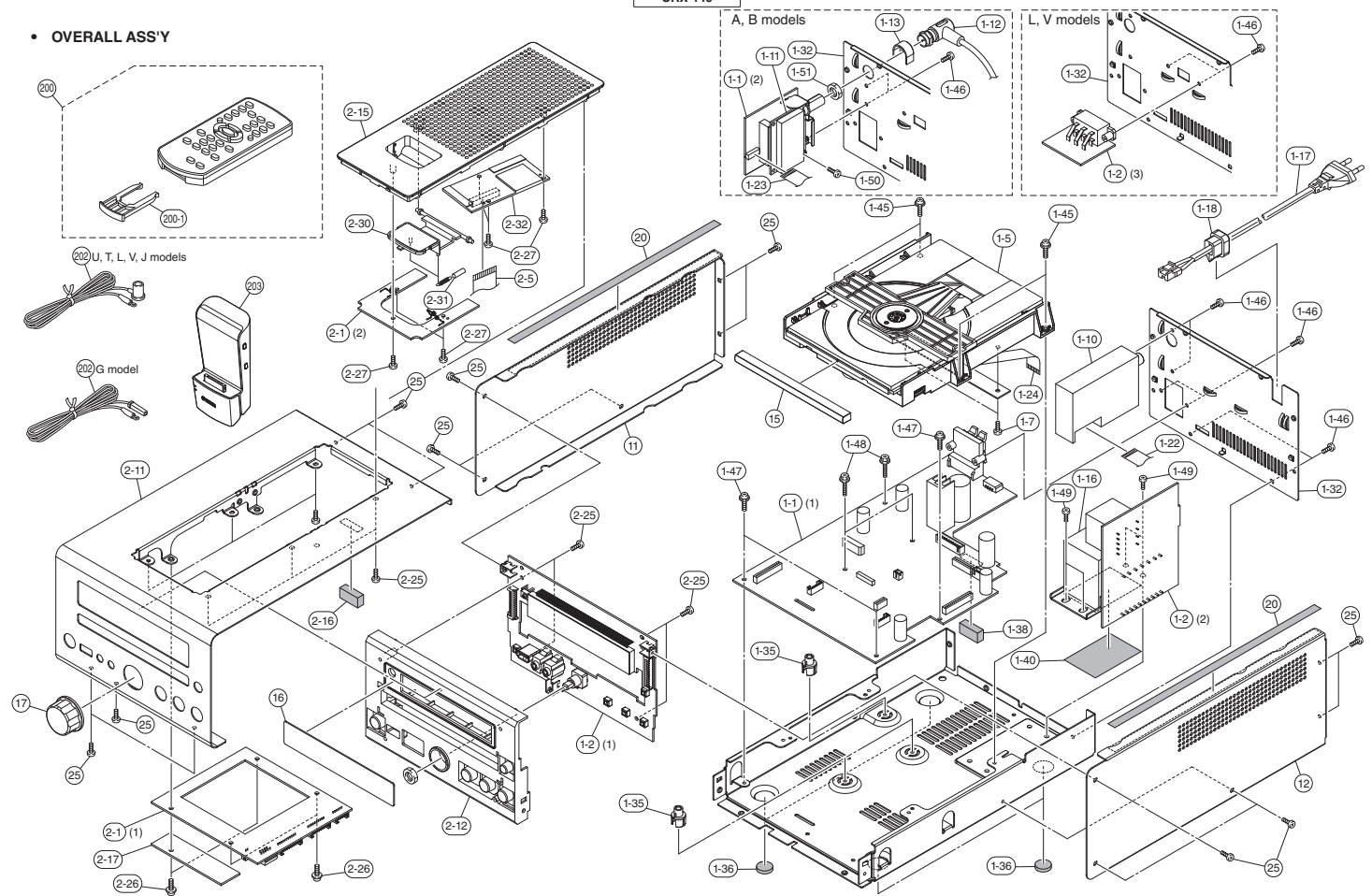
*New Parts *新規部品

Ref No.	Part No.	Description	Remarks	Markets	部品名	ランク
1-47	WF002600	PIV HEAD B-TIGHT SCREW			3x8 MFZN2W3	01
1-48	WE774600	SCREW 1C			3x18 MFZN2W3	01
1-49	WF821300	BIND HEAD S-TIGHT SCREW			4x7 MFZN2W3	01
1-50	WE774300	BIND HEAD B-TIGHT SCREW			3x8 MFZN2W3	01
1-51	WG205000	NUT		AB	3/8 UNEF-32	
* 2-11	WS055300	FRONT PANEL	ORANGE color	O400R	フロントパネル	
* 2-11	WS055500	FRONT PANEL	WHITE color	O400H	フロントパネル	
* 2-11	WS055700	FRONT PANEL	LIGHT GRAY color	O400G	フロントパネル	
* 2-11	WS055900	FRONT PANEL	DARK GRAY color	O400G	フロントパネル	
* 2-11	WS672700	FRONT PANEL	LIGHT BLUE color	O400L	フロントパネル	
* 2-11	WS672900	FRONT PANEL	DARK BLUE color	O400B	フロントパネル	
* 2-11	WS673100	FRONT PANEL	RED color	O400E	フロントパネル	
* 2-11	WS673300	FRONT PANEL	PINK color	O400I	フロントパネル	
* 2-11	WS673500	FRONT PANEL	DARK GREEN color	O400N	フロントパネル	
* 2-11	WS673700	FRONT PANEL	BROWN color	O400R	フロントパネル	
* 2-12	WS076800	SUB PANEL			サブパネル	
2-13	WR513900	SUPPORT CONNECTOR			サポートコネクタ	01
2-14	WG887500	SPRING HOOK			スプリングフック	01
* 2-15	WS073700	DOCK BASE		JUTKGLV	D O C K ベース	
* 2-15	WT646000	DOCK BASE		AB	D O C K ベース	
* 2-16	WS637000	DAMPER	28x10x10		ダンパー	
2-25	WE774800	BIND HEAD P-TIGHT SCREW	3x8 MFZN2W3		バインドPタイトネジ	01
2-26	WF305600	BIND HEAD P-TIGHT SCREW	3x6 MFZN2B3		バインドPタイトネジ	01
* 11	WS057900	SIDE COVER L			サイドカバー	
* 12	WS058000	SIDE COVER R			サイドカバー	
* 15	WS064600	LID			リッド	
* 16	WS058200	WINDOW PANEL			ウィンドウパネル	
* 17	WS089000	KNOB	VOLUME		ノブ	
* 20	WT504800	PACKING	7x240		パッキング	
25	WE774100	BIND HEAD BONDING B-T. SCREW	3x8 MFZN2B3		ボンディングBタイトネジ	01
* 200	WS193500	ACCESSORIES			付属品	
* 200	WS193400	REMOTE CONTROL	000-000820050	J	リモコン	
* 200-1	WJ806000	BATTERY HOLDER	000-000820040	UTKABGLV	リモコン	
202	WB212500	INDOOR FM ANTENNA	CG-2296		電池ホルダー	
202	WB212400	INDOOR FM ANTENNA		JUTLV	F M 簡易アンテナ	03
* 203	WS483400	LITHIUM BATTERY		G	F M 簡易アンテナ	
					D O C K カバー	
					リチウム電池	03

*New Parts *新規部品

CRX-140

• OVERALL ASS'Y



CRX-140

CRX-140

Ref No.	Part No.	Description	Remarks	Markets	部品名	ランク
* 1-1	WS475400	P. C. B. ASS'Y		J	P C B M A I N	
* 1-1	WS475500	P. C. B. ASS'Y		U	P C B M A I N	
* 1-1	WS475600	P. C. B. ASS'Y		TLV	P C B M A I N	
* 1-1	WS475700	P. C. B. ASS'Y		A	P C B M A I N	
* 1-1	WS475800	P. C. B. ASS'Y		B	P C B M A I N	
* 1-1	WS475900	P. C. B. ASS'Y		G	P C B M A I N	
* 1-2	WS476600	P. C. B. ASS'Y		J	P C B S U B	
* 1-2	WS476700	P. C. B. ASS'Y		U	P C B S U B	
* 1-2	WS476800	P. C. B. ASS'Y		T	P C B S U B	
* 1-2	WS476900	P. C. B. ASS'Y		A	P C B S U B	
* 1-2	WS477000	P. C. B. ASS'Y		BG	P C B S U B	
* 1-2	WS477100	P. C. B. ASS'Y		L	P C B S U B	
* 1-2	WS477200	P. C. B. ASS'Y		V	P C B S U B	
1-5	WS467000	LOADER MECHANISM UNIT	8829C-313AAM		ローダーメカユニット	12
1-7	WR613400	LOADER SCREW			ローダーネジ	01
1-10	WJ658900	FM TUNER	FAE381-J08N	J	F M チューナー	11
1-10	WJ659000	FM TUNER	FAE381-A08N	UTLV	F M チューナー	
1-10	WJ659100	FM TUNER	FAE481-E08N	G	F M チューナー	
* 1-11	WT973000	DAB MODULE	VENICE 5.1 FS2025B	AB	D A B モジュール	
1-12	WK830700	DAB WIRE ANTENNA	1.6m	AB	D A B ワイヤアンテナ	
1-13	WS053900	DAB ANTENNA CAP		AB	D A B アンテナキャップ	
△ * 1-16	YA917A00	POWER TRANSFORMER		J	電源トランス	
△ * 1-16	YA918A00	POWER TRANSFORMER		U	電源トランス	
△ * 1-16	YA922A00	POWER TRANSFORMER		TL	電源トランス	
△ * 1-16	YA920A00	POWER TRANSFORMER		A	電源トランス	
△ * 1-16	YA921A00	POWER TRANSFORMER		BG	電源トランス	
△ * 1-16	YA923A00	POWER TRANSFORMER		V	電源トランス	
△	WR636300	POWER CABLE	1.8m	J	電源コード	
△	WB120500	POWER CABLE	2m	U	電源コード	
△	WB120600	POWER CABLE	2m	T	電源コード	
△	WC143700	POWER CABLE	2m	A	電源コード	
△	WB122200	POWER CABLE	2m	B	電源コード	
△	WB122300	POWER CABLE	2m	GL	電源コード	
△	WC992700	POWER CABLE	2m	V	電源コード	
1-18	V2438700	CORD STOPPER	10P1		コードストッパー	02
1-22	WR387100	FLEXIBLE FLAT CABLE	13P 140mm P=1.25	JUTGLV	カード電線	
1-23	WR381800	FLEXIBLE FLAT CABLE	8P 180mm P=1.25	AB	カード電線	
* 1-24	WS488200	FFC CABLE	24P 220mm P=0.5		F F C ケーブル	
* 1-32	WS057000	REAR PANEL		J	リアパネル	
* 1-32	WS057100	REAR PANEL		U	リアパネル	
* 1-32	WS057200	REAR PANEL		T	リアパネル	
* 1-32	WS057400	REAR PANEL		A	リアパネル	
* 1-32	WS057500	REAR PANEL		B	リアパネル	
* 1-32	WS057600	REAR PANEL		G	リアパネル	
* 1-32	WS057700	REAR PANEL		L	リアパネル	
* 1-32	WS057800	REAR PANEL		V	リアパネル	
1-35	WS242000	SUPPORT H8			サポート H 8	01
1-36	WS059200	LEG	Dxx		レッグ	
1-38	WS637100	DAMPER	6x14x10		ダンパー	
1-40	WT226000	PACKING	40x50		パッキング	
1-45	WE774400	BIND HEAD B-TIGHT SCREW	3x8 MFZN2B3		バインドヘッドタイトネジ	01
1-46	WE774100	BIND HEAD BONDING B-T. SCREW	3x8 MFZN2B3		ボンディングヘッドタイトネジ	01
1-47	WF002600	PW HEAD B-TIGHT SCREW	3x8 MFZN2B3		P W ヘッド B タイタイトネジ	01
1-48	WE774600	SCREW 1C	3x18 MFZN2K3		スクリュー 1 C	01

*New Parts *新規部品

Ref No.	Part No.	Description	Remarks	Markets	部品名	ランク
1-49	WF821300	BIND HEAD S-TIGHT SCREW	4x7 MFZN2K3		バインド S タイタイトネジ	01
1-50	WE774300	BIND HEAD B-TIGHT SCREW	3x8 MFZN2K3	AB	バインド B タイタイトネジ	01
1-51	WG205000	NUT	3/8 UNEF-32		ナット	
* 2-1	WS480700	P. C. B. ASS'Y	CONNECTOR		P C B C O N N E C T O R	
* 2-5	WT943400	FLEXIBLE FLAT CABLE	30P 60mm P=1.0		カード電線	
* 2-11	WS055400	FRONT PANEL	ORANGE color	1400R	フロントパネル	
* 2-11	WS055600	FRONT PANEL	WHITE color	1400H	フロントパネル	
* 2-11	WS055800	FRONT PANEL	LIGHT GRAY color	140LG	フロントパネル	
* 2-11	WS056000	FRONT PANEL	DARK GRAY color	1400G	フロントパネル	
* 2-11	WS672800	FRONT PANEL	LIGHT BLUE color	140LB	フロントパネル	
* 2-11	WS673000	FRONT PANEL	DARK BLUE color	1400B	フロントパネル	
* 2-11	WS673200	FRONT PANEL	RED color	140RE	フロントパネル	
* 2-11	WS673400	FRONT PANEL	PINK color	140PI	フロントパネル	
* 2-11	WS673600	FRONT PANEL	DARK GREEN color	1400N	フロントパネル	
* 2-11	WS673800	FRONT PANEL	BROWN color	140BR	フロントパネル	
* 2-12	WS076800	SUB PANEL			サブパネル	
* 2-15	WS064700	CRADLE BASE		JUTGLV	C R A D L E ベース	
* 2-15	WT646100	CRADLE BASE		AB	C R A D L E ベース	
* 2-16	WS637000	DAMPER	28x10x10		ダンパー	
* 2-17	WU248000	SHIELD PLATE			シールドプレート	
2-25	WE774800	BIND HEAD P-TIGHT SCREW	3x8 MFZN2K3		バインド P タイタイトネジ	01
2-26	WF002600	PW HEAD B-TIGHT SCREW	3x8 MFZN2K3		P W ヘッド B タイタイトネジ	01
2-27	WF305600	BIND HEAD P-TIGHT SCREW	3x6 MFZN2B3		バインド P タイタイトネジ	01
* 2-30	WS712000	CRADLE COVER			C R A D L E カバー	
* 2-31	WS711900	SPRING COVER			スプリングカバー	
* 2-32	WS064600	P. C. B. ASS'Y	AW-CARD	with PACKAGE	P C B A W C A R D	
* 11	WS057900	SIDE COVER L			サイドカバー L	
* 12	WS058000	SIDE COVER R			サイドカバー R	
* 15	WS064600	LID			リッド	
* 16	WS058200	WINDOW PANEL			ウィンドウパネル	
* 17	WS089000	KNOB	VOLUME		ノブ	
* 20	WT504800	PACKING	7x240		パッキング	
25	WE774100	BIND HEAD BONDING B-T. SCREW	3x8 MFZN2B3		ボンディング B タイタイトネジ	01
		ACCESSORIES			付属品	
* 200	WS193500	REMOTE CONTROL		000-000820050	リモコン	
* 200	WS193400	REMOTE CONTROL		000-000820040	リモコン	
* 200-1	WU806000	BATTERY HOLDER	Black	CG-2296	電池ホルダー	
202	WB212500	INDOOR FM ANTENNA	1.4m 1pc	JUTLV	F M 簡易アンテナ	03
202	WB212400	INDOOR FM ANTENNA	1.4m 1pc	G	F M 簡易アンテナ	
* 203	WTS24500	TRANSMITTER for iPod	Y1T-W11TX black 1pc	VER. D31i	i P o d トランスミッター	
* 203	WTS24600	TRANSMITTER for iPod	Y1T-W11TX black 1pc	VER. D31i	i P o d トランスミッター	
* 203	WTS24700	TRANSMITTER for iPod	Y1T-W11TX black 1pc	VER. D31i	i P o d トランスミッター	
* 203	WTS24900	TRANSMITTER for iPod	Y1T-W11TX black 1pc	VER. D31i	i P o d トランスミッター	
* 203	WTS25000	TRANSMITTER for iPod	Y1T-W11TX black 1pc	VER. D31i	i P o d トランスミッター	
		LITHIUM BATTERY	CR2025 1pc		リチウム電池	03
		SERVICE TOOL				
WR492800	RS232C CONVERSION ADAPTOR	3.3Vtype with FF9P			R S 2 3 2 C 変換アダプター	13

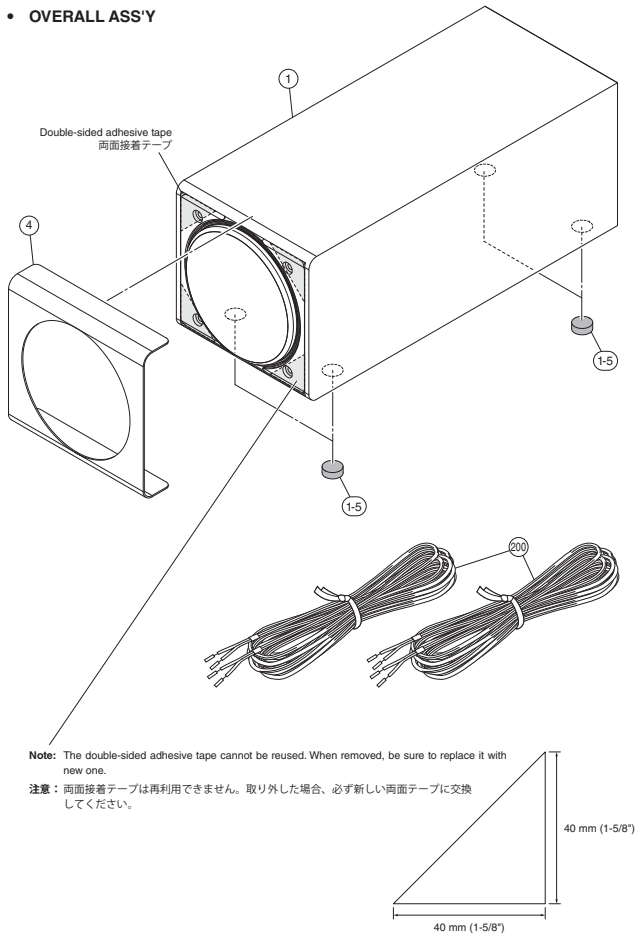
*New Parts *新規部品

CRX-040/CRX-140/NS-BP80

NS-BP80

NS-BP80

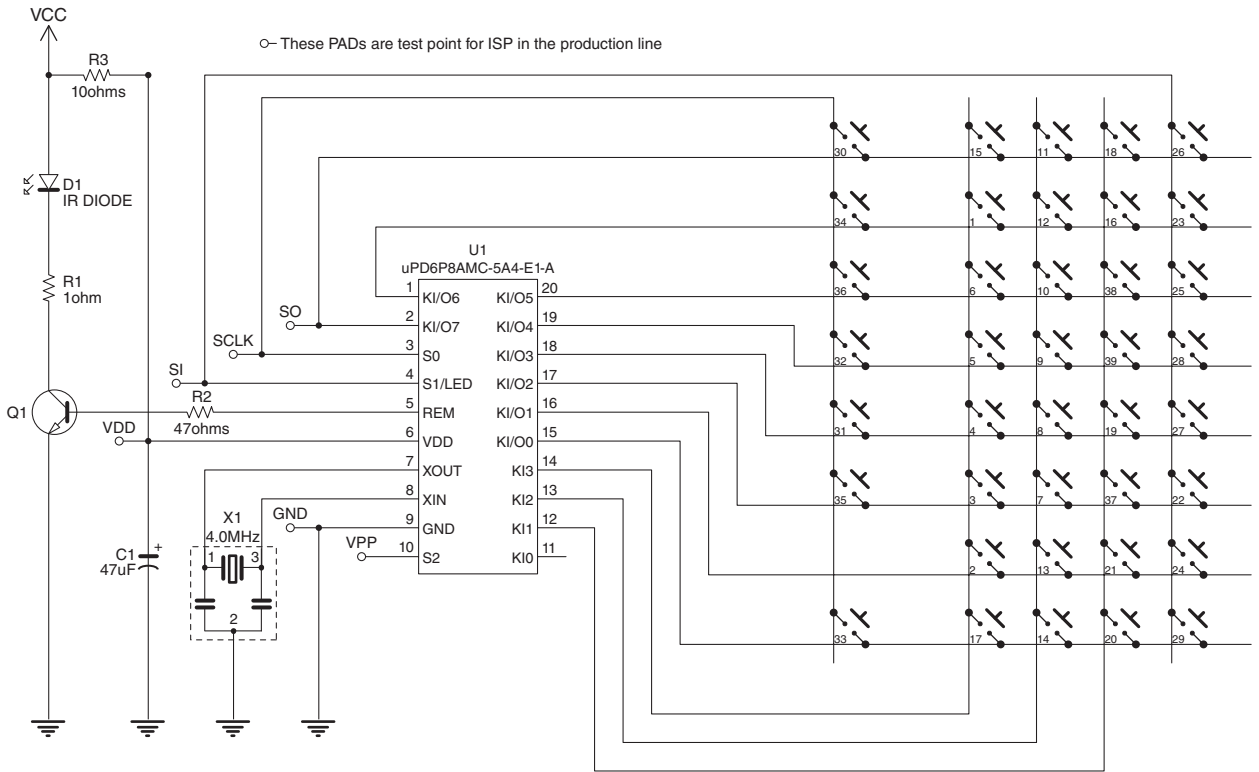
• OVERALL ASS'Y



Ref No.	Part No.	Description	Remarks	Markets	部品名	ランク
* 1	WT907800	SPEAKER F-SUB ASS'Y			SPサブ総組立	
* 1-5	WS488000	LEG	D13.5 t=5		レッグ	
* 4	WS487900	FRONT PANEL	ORANGE color	BP80OR	フロントパネル	
* 4	WS520100	FRONT PANEL	WHITE color	BP80WH	フロントパネル	
* 4	WS520200	FRONT PANEL	LIGHT GRAY color	BP80LG	フロントパネル	
* 4	WS520300	FRONT PANEL	DARK GRAY color	BP80DG	フロントパネル	
* 4	WS672100	FRONT PANEL	LIGHT BLUE color	BP80LB	フロントパネル	
* 4	WS672200	FRONT PANEL	DARK BLUE color	BP80DB	フロントパネル	
* 4	WS672300	FRONT PANEL	RED color	BP80RE	フロントパネル	
* 4	WS672400	FRONT PANEL	PINK color	BP80PI	フロントパネル	
* 4	WS672500	FRONT PANEL	DARK GREEN color	BP80DN	フロントパネル	
* 4	WS672600	FRONT PANEL	BROWN color	BP80BR	フロントパネル	
		ACCESSORY			付属品	
* 200	WT467500	SPEAKER CABLE ASS'Y	2P 1.5m 2pcs	22AWG 3.2x1.6	SPケーブルASSY	

* New Parts * 新規部品

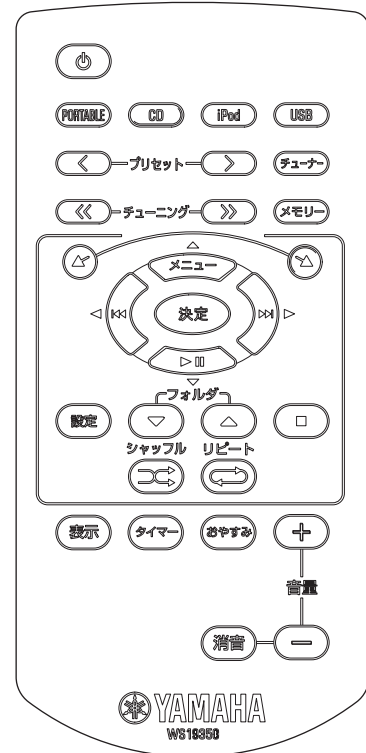
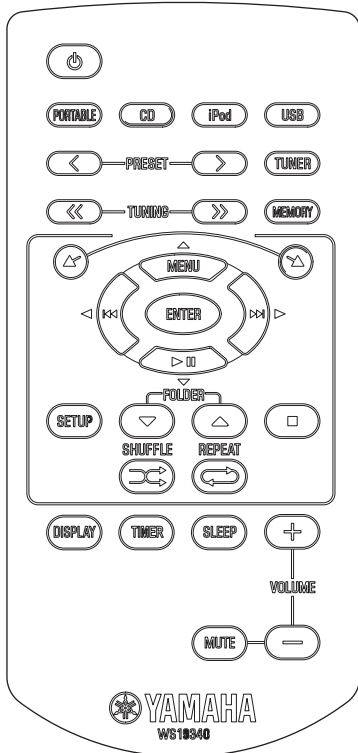
1 ■ **REMOTE CONTROL**
SCHEMATIC DIAGRAM



PANELS

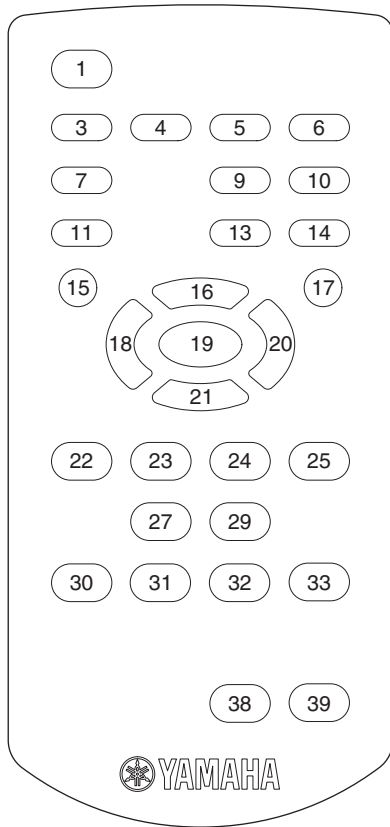
U, T, K, A, B, G, L, V models

J model



CRX-040/CRX-140/
NS-BP80

KEY LAYOUT



KEY CODE

Key No.	Key Name		Key Code
	U, T, K, A, B, G, L, V models	J model	
1	⏻	⏻	78-0F
3	PORTABLE	PORTABLE	78-DF
4	CD	CD	78-4A
5	iPod	iPod	78-D0
6	USB	USB	78-29
7	PRESET <	プリセット<	78-1C
9	PRESET >	プリセット>	78-1B
10	TUNER	チューナー	78-4B
11	TUNING <<	チューニング<<	78-A9
13	TUNING >>	チューニング>>	78-AA
14	MEMORY	メモリー	78-B2
15	▲	▲	78-8E
16	MENU ▲	メニュー▲	78-9F
17	▼	▼	78-8F
18	⏪	⏪	78-04
19	ENTER	決定	78-C1
20	⏩	⏩	78-03
21	▶ ▼	▶ ▼	78-02
22	SETUP	設定	78-9D
23	FOLDER ▼	フォルダ▼	78-28
24	FOLDER ▲	フォルダ▲	78-27
25	■	■	78-01
27	SHUFFLE ⇄	シャッフル⇄	78-07
28	REPEAT ↻	リピート↻	78-0C
30	DISPLAY	表示	78-0A
31	TIMER	タイマー	78-A0
32	SLEEP	おやすみ	78-4F
33	VOLUME +	音量+	78-1E
38	MUTE	消音	78-9C
39	VOLUME -	音量-	78-1F

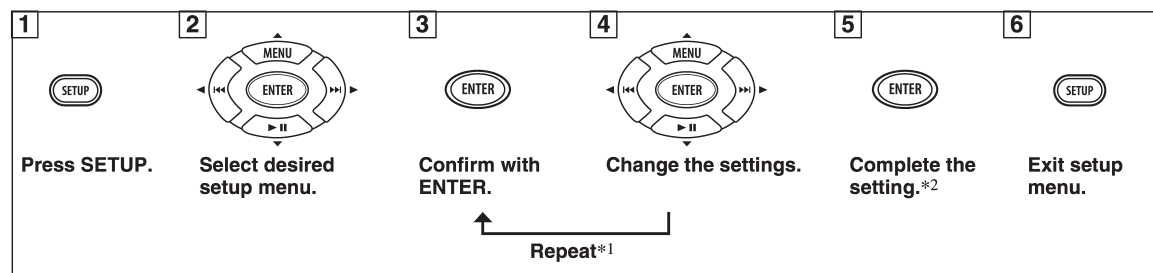
CRX-040/CRX-140/
NS-BP80

■ USING USEFUL FUNCTIONS

Using setup menu

The setup menu appears on the front panel display by pressing **SETUP**. You can set various useful functions with setup menu.

Setup menu	Parameter or control range
PRESET DELETE	(Displays only when the input source is set to FM.)
DIMMER	DIMMER ON (25%)/OFF (100%)
TREBLE	-6 dB to +6 dB
BASS	-6 dB to +6 dB
BALANCE	L+5 - CENTER - R+5
CLOCK SET	Hour, minute
TIMER SET	Time (hour, minute), running time, sound (source, track or preset number), timer on/off
WIRELESS SET MCR-140	GROUP A1/A2/A3/B1/B2/B3
POWER SAVING MCR-140	NORMAL/ECO
WIRELESS SW MCR-140	NO/YES



*1 When there are some parameters to set, repeat steps 3 and 4. You can go back to a previous parameter by pressing **⏪**.

*2 To set additional items, repeat steps 2 to 5.



To cancel the setting during the operation, press **SETUP**.

■ Setting dimmer, tone/balance and power saving mode

DIMMER: Changes the brightness of the front panel display.

TREBLE*3: Adjusts the high frequency response.

BASS*3: Adjusts the low frequency response.

BALANCE: Adjusts the volume level of each left and right speaker channel.

POWER SAVING: If you set to ECO, you can reduce standby power consumption. However, you cannot turn on the unit by playback operation on your iPod during standby mode. The default setting is NORMAL. This function is available only for MCR-140.

WIRELESS SW: Set to YES when you use a subwoofer via the wireless subwoofer kit (SWK-W10, etc., sold separately). The default setting is NO. This function is available only for MCR-140.

*3 Also effective when you are using headphones.

USING USEFUL FUNCTIONS**■ Adjusting the clock**

CLOCK SET: To set hour and minute, repeat steps 3 and 4.



The current time appears on the front panel display for a certain period by pressing and holding **DISPLAY** if the time setting has completed.

Note

The time setting is lost once the power cable is disconnected from the wall outlet.

■ Setting the timer

TIMER SET: To select the following setting items, repeat steps 3 and 4.



You can enter TIMER SET directly by pressing and holding **TIMER**.

Time (hour and minute)**Running time**

You can choose the running time from 10 minutes to 90 minutes in 10 minute increments.
“--” means the unit will not be set to standby mode automatically.

Input source and track/file number or preset number**Notes**

- If the source is not set properly, the timer sound will not be heard. Make sure that the source is set securely.
- MCR-140: When you select an iPod as the input source, you need to set the iPod in the charging cradle on the unit.

iPod:

When you select the iPod as a source, this unit resumes the music that you were listening to last time.

CD:

Set a track/file number.

If you set the track/file number which is not exist, the first track/file is played back automatically.

USB:

Set a file number.

If you set a file number that does not exist, the first file is played back automatically.

FM:

Set preset number.

By selecting “--”, the FM station you set last time is set.

Timer ON/OFF

Switch the timer on/off. When the timer is on, the **TIMER** indicator lights up on the front panel display.



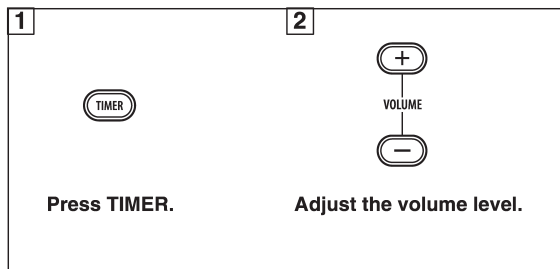
This setting is also available with **TIMER**.

Using timer and sleep timer

■ Using the timer

The timer sets the unit to play back music at the time you set. The unit is set to standby mode after the specified running time elapses.

To use the timer, set the appropriate input source securely and set the timer in the setup menu in advance.



Each time you press **TIMER** while the power is on, it switches on/off. When you switch on the timer, the **TIMER** indicator lights up on the front panel display. To turn on the unit via the timer, set this unit to standby mode when the timer is switched on.

Notes

- The clock has to be set in advance.
- When the unit is in standby mode, the **TIMER** indicator does not light up on the front panel display even if the timer is on.
- After the unit is operated via the timer, the timer function switches off.



- To activate the timer function again, press **TIMER** while the power is on.
- The timer setting is saved for convenient use next time.

■ Using sleep timer

The sleep timer sets the unit to the standby mode after the specified time elapses.



OFF → 30min → 60min → 90min → 120min

The **SLEEP** indicator lights up on the front panel display.

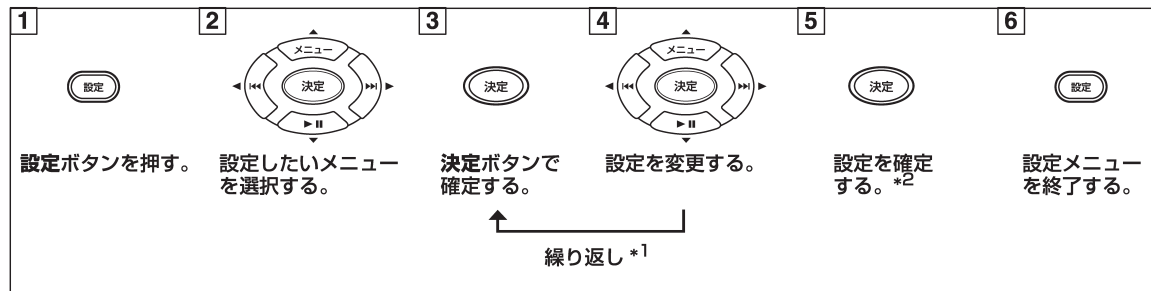
■ 便利な機能

設定メニューを使う

設定ボタンを押すとディスプレイに設定メニューが表示されて、様々な機能を設定することができます。

設定メニュー	設定内容または調整範囲
プリセット <small>デリート</small> PRESET DELETE	(入力ソースが FM のときだけ表示されます)
ディマー DIMMER (表示の明るさ)	ディマー オン (25%) / オフ (100%)
トレブル TREBLE (高音)	- 6 dB ~ + 6 dB
バス BASS (低音)	- 6 dB ~ + 6 dB
バランス BALANCE	L+5 ~ センター ~ R+5
クロック <small>セット</small> CLOCK SET	時、分
タイマー <small>セット</small> TIMER SET	起動時間 (時、分)、音楽再生時間、音楽 (入力ソース、トラック / ファイル番号もしくはプリセット番号)、タイマーオン / オフ
ワイヤレス <small>セット</small> WIRELESS SET MCR-140 のみ	グループ GROUP A1 / A2 / A3 / B1 / B2 / B3
パワー <small>セービング</small> POWER SAVING MCR-140 のみ	ノーマル <small>エコ</small> NORMAL / ECO
ワイヤレスサブウーファー WIRELESS SW MCR-140 のみ	ノー <small>イエス</small> NO / YES

操作



*1 複数の設定内容があるときは、手順 3、4 を繰り返します。前の設定に戻るには、◀◀ ボタンを押します。
*2 他の項目を続けて設定するときは、手順 2 から繰り返します。

途中設定をキャンセルするときは、設定ボタンを押します。

■ 表示の明るさと音質 / バランス、パワーセービングモードなどを設定する

ディマー
DIMMER：ディスプレイの表示の明るさを切り替えます。

トレブル
TREBLE*3：高音のレベルを調節します。

バス
BASS*3：低音のレベルを調節します。

バランス
BALANCE：左右のスピーカーの音量バランスを調整します。

パワー セービング エコ
POWER SAVING：ECO に設定すると、スタンバイ時の消費電量を抑えることができます。ただし、スタンバイ時に iPod の再生操作で本機を起動することはできません。初期設定は NORMAL です。この機能は MCR-140 のみ有効です。

ワイヤレスサブウーファー
WIRELESS SW：ワイヤレスサブウーファーキット (SWK-W10 など) を使ってサブウーファーを接続するとき、YES に設定します。初期設定は NO です。この機能は MCR-140 のみ有効です。

*3 ヘッドホン使用時にも有効です。

便利な機能

■ 時計を合わせる

クロック セット
CLOCK SET：時、分を設定するには、手順 3、4 を繰り返します。



時計が設定済みのとき、リモコンの表示ボタンを長押しすると一定時間時刻を表示します。

ご注意

電源コードをコンセントから抜くと、時計の設定はリセットされます。

■ タイマーを設定する

タイマー セット
TIMER SET：以下の設定項目を選択するには、手順 3、4 を繰り返します。



タイマーボタンを長押しすると、直接 タイマー セット に入ることができます。

起動時間（時、分）



音楽再生時間



10 分単位で、10 分から 90 分まで設定できます。
自動的に本機をスタンバイにしない場合は「-」を選択します。

入カソースとトラック / ファイル番号またはプリセット番号

ご注意

- ・入カソース（iPod、CD、USB）が正しくセットされていないと、タイマー音楽は再生されません。確実にセットしてください。
- ・MCR-140：iPod を入カソースとして選択する場合、iPod を充電スペースに設置してください。

iPod を選択した場合

曲の指定はできません。前回の iPod 終了時点から再生します。

CD を選択した場合

トラック / ファイル番号を設定します。
ディスクにないトラック / ファイル番号を選択した場合、一番最初のトラック / ファイルが自動的に再生されます。

USB を選択した場合

ファイル番号を設定します。
USB 機器にないファイル番号を選択した場合、一番最初のファイルが自動的に再生されます。

FM を選択した場合

プリセット番号を設定します。
「-」は、前回聴いていた放送設定を選択します。

タイマーオン / オフ

設定したタイマーのオン / オフを切り替えます。タイマーをオンにすると、ディスプレイの タイマー タイマーインジケーターが点灯します。



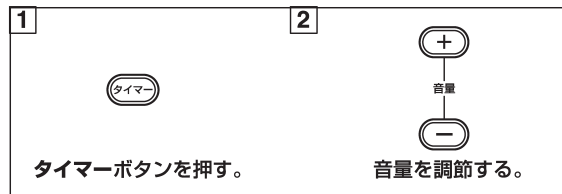
この設定は、タイマーボタンでも切り替えが可能です。

タイマーとスリープタイマーを使う

■ タイマーを使用する

タイマーは、設定した時間に音楽を自動再生します。また、設定した音楽再生時間を経過すると自動的に本機をスタンバイにします。

使用する前に、確実に入カソースをセットして、設定メニューで タイマー セット TIMER SET を設定してください。



電源がオンのときに**タイマー**ボタンを押すと、オン / オフが切り替わります。タイマーをオンにすると、ディスプレイの タイマー TIMER インジケーターが点灯します。タイマーを使用して本機を起動する場合は、本機をスタンバイにしてください。

■ ご注意

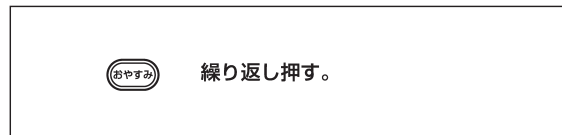
- ・ 時計が設定されていないと タイマー セット TIMER SET は設定できません。
- ・ 本機がスタンバイのときは、タイマーがオンの場合でもディスプレイの タイマー TIMER インジケーターは点灯しません。
- ・ タイマーが動作すると、タイマー設定はオフになります。



- ・ もう一度タイマーを有効にするには、電源がオンのときに再度**タイマー**ボタンを押します。
- ・ タイマー設定で設定した内容は保持されます。

■ スリープタイマーを使用する

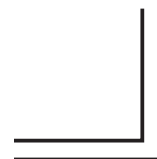
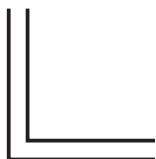
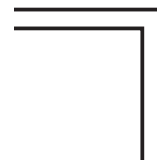
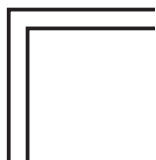
スリープタイマーは、設定した時間を経過すると自動的に本機をスタンバイにします。



OFF → 30min → 60min → 90min → 120min

スリープタイマーが設定されると、ディスプレイの スリープ SLEEP インジケーターが点灯します。

MEMO



CRX-040/CRX-140

NS-BP80

