

Service Manual

COMPACT
disc
DIGITAL AUDIO

DIGITAL

MASH*
multi-stage noise shaping

Compact Disc Player
SL-PS700



Color

(K)... Black Type

Area

Country Code	Area	Color
(E)	Continental Europe.	(K)
(EB)	Great Britain.	
(EG)	F.R. Germany & Italy.	
(GC)	Asia, Latin America, Middle Near East and Africa.	
(GN)	Oceania.	

NEW MECHANISM SERIES (RAE0201)

SPECIFICATIONS

■ Audio

No. of channels	2 (left and right, stereo)
Frequency response	2–20,000 Hz, ± 0.3 dB
Output voltage	2 V (at 0 dB)
Dynamic range	98 dB
S/N ratio	114 dB
Harmonic distortion	0.002% (1 kHz, 0 dB)
Total harmonic distortion	0.0028% (1 kHz, 0 dB)
Channel separation	110 dB
Wow and flutter	Below measurable limit
DA converter	MASH•1 bit
Output impedance	Approx. 1 k Ω
Load impedance	More than 10 k Ω
Headphone output level	15 mW max. 32 Ω (adjustable)

■ Pickup

Wavelength	780 nm
------------	--------

■ General

Power consumption	
For Continental Europe:	16 W
For others:	17 W
Power supply	
For (E, EB, EG, GN) areas:	AC 50/60 Hz, 230 V–240 V
For (GC) area:	AC 50/60 Hz, 110 V/127 V/220 V/240 V
Dimensions (W×H×D)	430×130×333 mm
Weight	5.6 kg

Note:

Specifications are subject to change without notice.
Weight and dimensions are approximate.

- ※
- Technics (or Panasonic) developed the world's first MASH type DAC and ADC. MASH technology was invented by NTT (LSI Labs).
 - MASH is a trademark of NTT.

Technics

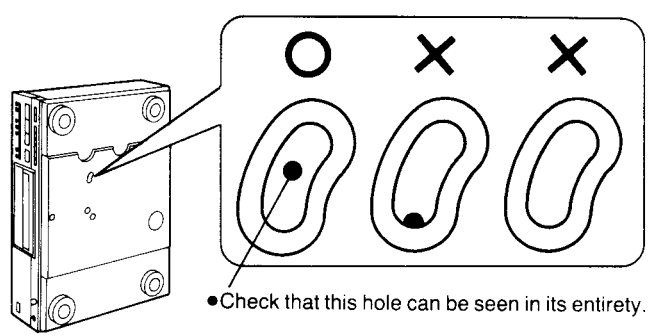
CONTENTS

	Page		Page
BEFORE TRANSPORTING THE UNIT	2	INTERNAL CONNECTION OF FL	26
ACCESSORIES	2	BLOCK DIAGRAM	27~29
PRECAUTION OF LASER DIODE	3	TERMINAL GUIDE OF IC'S,	
PLACEMENT	4	TRANSISTORS AND DIODES	30
CONNECTIONS	4	SCHEMATIC DIAGRAM	31~39
LOCATION OF CONTROLS	5, 6	PRINTED CIRCUIT BOARDS	40~44
HANDLING PRECAUTIONS FOR OPTICAL PICKUP	7	WIRING CONNECTION DIAGRAM	45
INSTRUCTIONS FOR TRAVERSE OIL	7	REPLACEMENT PARTS LIST	46, 47
DISASSEMBLY INSTRUCTIONS	8~13	PACKING	47
MEASUREMENTS AND ADJUSTMENTS	13~15	EXPLODED VIEWS	48~50
TERMINAL FUNCTION OF IC'S	16~21	REPLACEMENT PARTS LIST	51, 52
DIGITAL SERVO SYSTEM	22, 23	RESISTORS & CAPACITORS	53, 54
TROUBLESHOOTING GUIDE	24, 25		

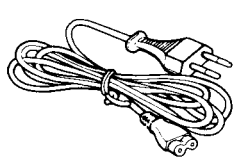
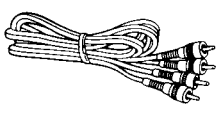

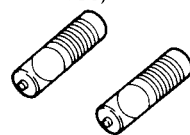
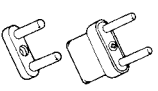
BEFORE TRANSPORTING THE UNIT

To safeguard against damage in transit, be sure to secure the optical pickup by following the procedure below.

- 1 Remove the compact disc inside, and set the power switch to STANDBY $\text{\textcircled{I}}$ with the disc holder still open.**
- 2 Slowly push in the disc holder by hand.**
 - Do not tilt the unit while doing this.
 - If the disc holder is not pushed in slowly, the optical pick-up may not be secured properly.
- 3 Check that the optical pick-up is secured.**
(Refer to the figure on the right.)



ACCESSORIES

<ul style="list-style-type: none"> •AC power supply cord 1 pc. (SFDAC05E03) (E, EG) (SJA193) (EB) (RJA0004) (GC) (SJA173) (GN) 	<ul style="list-style-type: none"> •Stereo connection cable 1 pc. (SJP2249-3) 	<ul style="list-style-type: none"> •Remote control transmitter 1 pc. (RAK-SL304W) 
	<ul style="list-style-type: none"> •Batteries 2 pcs. (UM-4NE/2S) 	<ul style="list-style-type: none"> •Power plug adaptor 1 pc. (SJP9215) (GC) 

■ PRECAUTION OF LASER DIODE

CAUTION: This product utilizes a laser diode with the unit turned "on", invisible laser radiation is emitted from the pick up lens.

Wave length: 780nm

Maximum output radiation power from pick up: 100 μ W/VDE

Laser radiation from the pick up lens is safety level, but be sure the followings:

1. Do not disassemble the optical pick up unit, since radiation from exposed laser diode is dangerous.
2. Do not adjust the variable resistor on the pickup unit. It was already adjusted.
3. Do not look at the focus lens using optical instruments.
4. Recommend not to look at pick up lens for a long time.

ACHTUNG: Dieses produkt enthält eine laserdioden. Im eingeschalteten zustand wird unsichtbare laserstrahlung von der lasereinheit abgestrahlt.

Wellenlänge: 780nm

Maximale strahlungsleistung der lasereinheit: 100 μ W/VDE

Die strahlung an der lasereinheit ist ungefährlich, wenn folgende punkte beachtet werden:

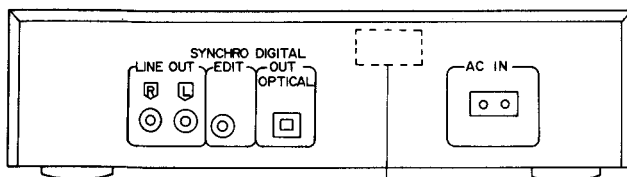
1. Die lasereinheit nicht zerlegen, da die strahlung an der freigelegten laserdioden gefährlich ist.
2. Den werksseitig justierten einstellregler der lasereinheit nicht verstellen.
3. Nicht mit optischen instrumenten in die fokussierlinse blicken.
4. Nicht über längere zeit in die fokussierlinse blicken.

ADVASEL: I dette a apparat anvendes laser.

• Use of caution labels

Note: ○ Mark is used, × Mark is not used.

Areas	SQWD7	RQLS0021	RQLS0051
(E)	○	○	○
Others	○	○	×



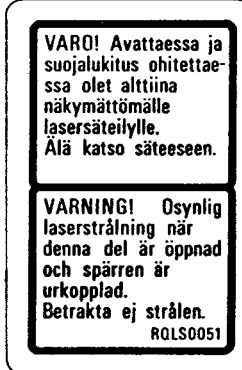
SQWD7



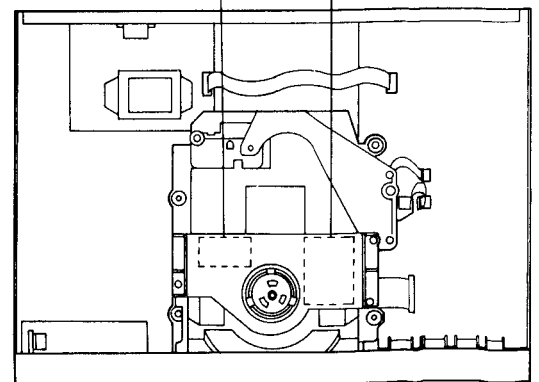
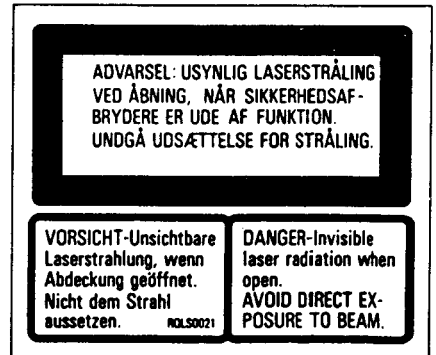
Obs:

Apparaten innehåller laser
Komponent av höger laserklass
än klass 1.

RQLS0051



RQLS0021



■ PLACEMENT

- This unit is a precision instrument. Be sure to place it on a flat surface.
- Avoid places such as the following:
 - Near any equipment or device that generates strong magnetism.
 - On any heat-generating equipment or device, or in any place where the temperature is high (35°C or higher).
 - Extremely cold places (5°C or below).
 - Near a tuner or TV (It may cause noise in the broadcast, or disturbance of the TV picture.)

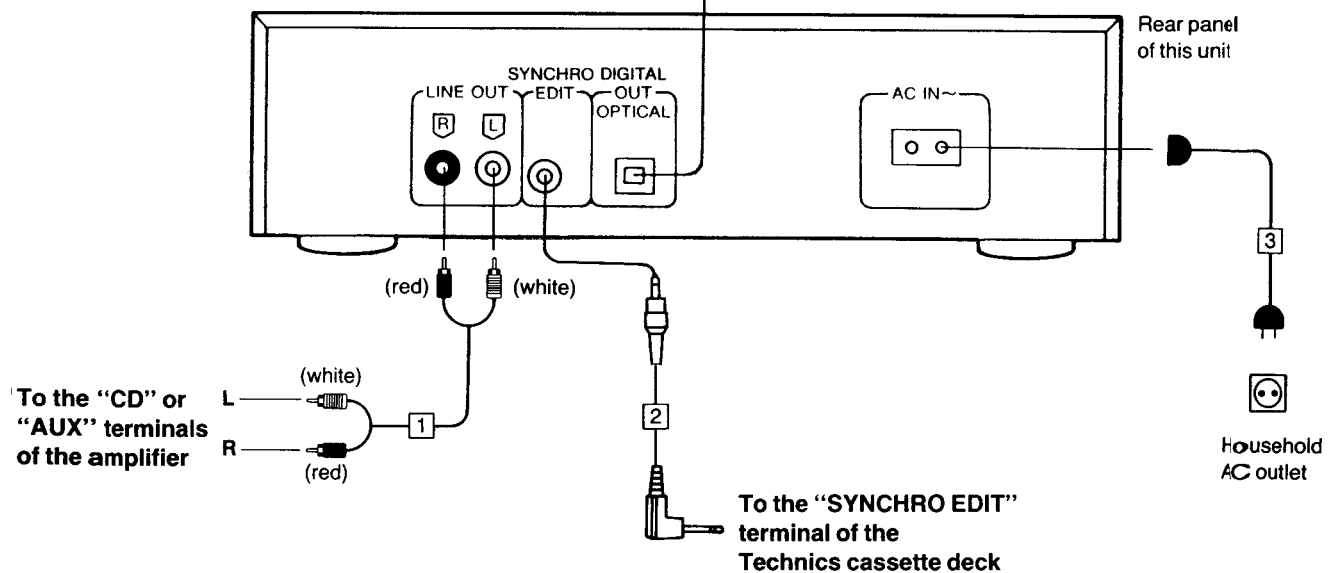
- When carrying or storing the unit, handle it with care so it is not subjected to any strong bumps.
 - Always remove the disc before storing the unit for any period of time.
- To avoid problems due to vibration.
 - Do not place a book or similar object under this unit.
 - Do not route the connection cables (of this or other units) across the operation panel, across the top, or under the unit.

■ CONNECTIONS

Turn power off on all components before making connections.

● Optical output terminal (DIGITAL OUT/OPTICAL)

This terminal can be used for connection with other equipment that has a digital input terminal, such as an amplifier, by using an optical cable (optional). A dust-protection cap is inserted in this terminal. Remove this cap only when a connection is to be made to this terminal.



1 Stereo connection cable (included)

Note:

Be sure to connect the stereo connection cable with the amplifier when using the synchro edit function even if the optical cable has been connected.

2 L-type cable (not included)

When this cable is connected to a Technics cassette deck with a synchro edit connector, the deck's synchro recording function will be activated during CD edit recording.

3 AC power supply cord (included)

Note:

The configuration of the AC outlet and AC power supply cord differs according to area.

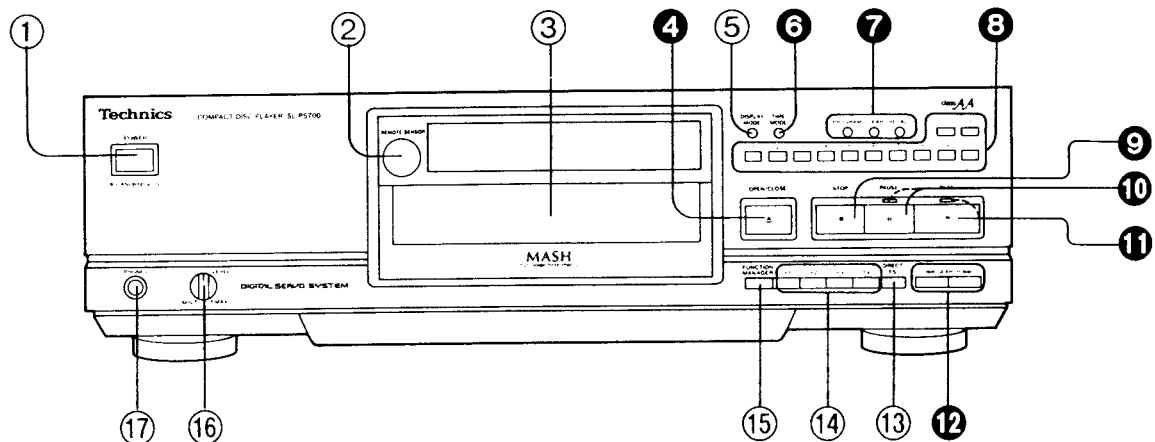
For areas except continental Europe

If the power plug will not fit your socket, use the power plug adaptor (included).



LOCATION OF CONTROLS

The functions indicated by the white numbers (with black background, 4 etc.) can also be activated using the remote control transmitter.



Control section

① Power "STANDBY ⏻/ON" switch (POWER, ■ STANDBY ⏻ ■ ON)

This switch switches ON and OFF the secondary circuit power only. The unit is in the "standby" condition when this switch is set to the STANDBY ⏻ position. Regardless of the switch setting, the primary circuit is always "live" as long as the power cord is connected to an electrical outlet.

② Remote control signal sensor (REMOTE SENSOR)

③ Disc holder

④ Disc holder open/close button (▲ OPEN/CLOSE)

⑤ Display mode button (DISPLAY MODE)

Pressing this button enables the unit to delete the indicators on the display in two steps.

⑥ Time mode select button (TIME MODE)

⑦ Buttons for program function

- Program button (PROGRAM)

Pressing this button initiates the program play mode. You can then enter specific tracks using the numeric buttons.

- Clear button (CLEAR)

Each pressing this button makes one track cleared from the programmed sequence.

- Recall button (RECALL)

This button can be used to display the contents of the programmed track sequence for confirmation.

⑧ ● Numeric buttons (0~10)

- Input mode button (>10)

Press this button and then the numeric buttons (0~9) to specify the track number 11 and up.

⑨ Stop button (■ STOP)

This button can be used to stop disc play, as well as to cancel the various play modes.

⑩ Pause button and indicator (|| PAUSE)

⑪ Play button and indicator (▶ PLAY)

⑫ Search buttons (◀◀ SEARCH ▶▶)

These buttons are used for fast forward and backward searching during play. In the function manager mode, they are used to indicate the desired function on the display.

⑬ Direct button (DIRECT, F5)

In the function manager mode, this is used to operate the functions which have not been set in the [F1] to [F4] buttons.

⑭ Function buttons (F1~F4)

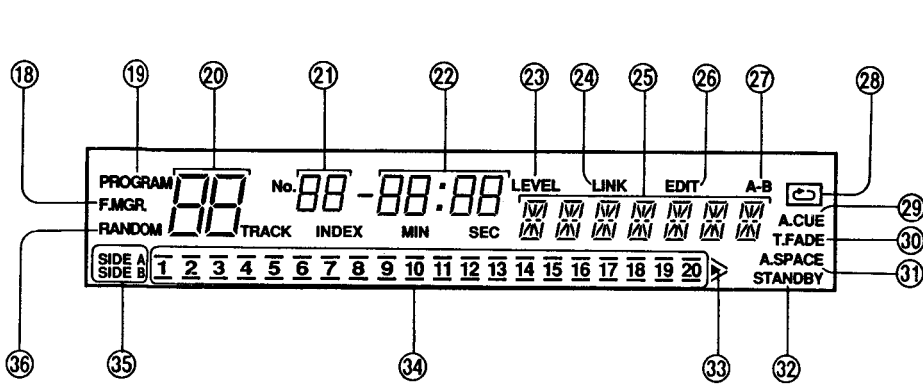
In the function manager mode, desired functions can be selected and stored in these buttons.

⑮ Function manager button (FUNCTION MANAGER)

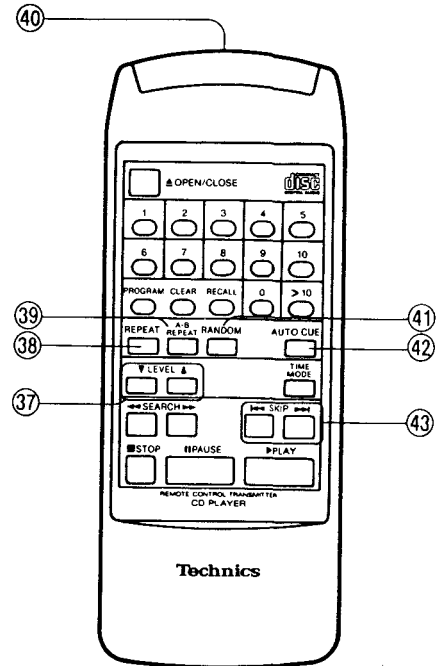
⑯ Headphones volume control (LEVEL)

Avoid listening to music at high volume levels for extended periods of time.

⑰ Headphones jack (PHONES)



Unnumbered buttons on the remote control transmitter function identically to their corresponding parts on the unit.



Indicators section

- ⑱ **Function manager indicator (F.MGR.)**
This lights in the function manager mode.
- ⑲ **Program indicator (PROGRAM)**
- ⑳ **Track number display (TRACK)**
- ㉑ **Index/program number display (No., INDEX)**
- ㉒ **Time display (MIN, SEC)**
- ㉓ **Level indicator (LEVEL)**
This indicator lights when the output level is attenuated by the remote control transmitter.
- ㉔ **Link indicator (LINK)**
- ㉕ **Character display**
- ㉖ **Compact disc edit indicator (EDIT)**
- ㉗ **A-B repeat indicator (A-B)**
- ㉘ **Repeat play indicator ()**
- ㉙ **Auto cue indicator (A. CUE)**
- ㉚ **Time fade indicator (T.FADE)**
- ㉛ **Auto space indicator (A.SPACE)**
This lights when an unrecorded blank lasting about 4 seconds is inserted between tracks during CD edit recording.
- ㉜ **Standby indicator (STANDBY)**
This indicator lights when the display mode button is pressed twice in the stop mode.
- ㉝ **"Over" mark (>)**
This indicator lights if the total number of tracks on the disc is 21 or more.
- ㉞ **Track number indicator (1-20)**
- ㉟ **Tape side indicator (SIDE A, SIDE B)**
- ㊱ **Random play indicator (RANDOM)**

Remote control transmitter

- ㉟ **Level buttons (▼ LEVEL ▲)**
These buttons can be used to control output level (from 0 dB to -12 dB).
- ㊱ **Repeat button (REPEAT)**
Pressing this button enables all the tracks or programmed tracks to be played repeatedly.
- ㊲ **A-B repeat button (A-B REPEAT)**
Pressing this button enables the programs in the selected range to be played repeatedly.
- ㊳ **Remote control signal transmission window**
- ㊴ **Random button (RANDOM)**
This button can be used to play the tracks on a disc in a random sequence.
- ㊵ **Auto cue button (AUTO CUE)**
Pressing this button enables the unit to stop at the beginning of every track and switch to the play standby mode.
- ㊶ **Skip buttons (◀◀ SKIP ▶▶)**
These buttons are used to skip by track in the forward or reverse direction.

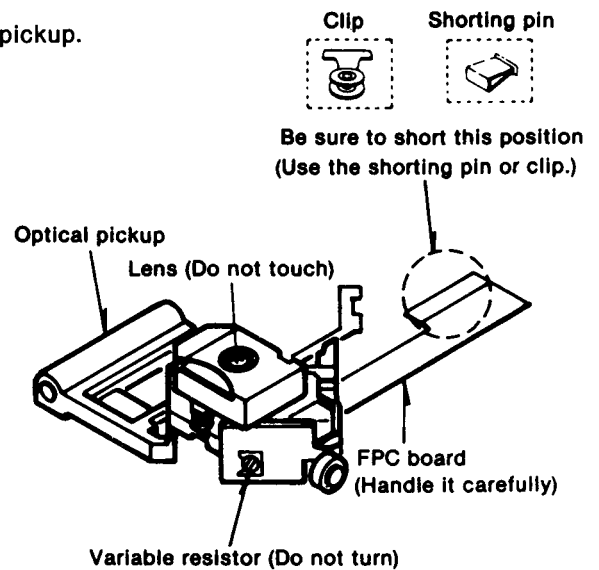
■ HANDLING PRECAUTIONS FOR OPTICAL PICKUP

The laser diode in the optical pickup may break down due to potential difference caused by static electricity of clothes or human body.

So, be careful of electrostatic breakdown during repair of the optical pickup.

• Handling of optical pickup

1. Do not subject the optical pickup to static electricity as it is extremely sensitive to electrical shock.
2. To prevent the breakdown of the laser diode, an antistatic shorting pin is inserted into the flexible board (FPC board).
When removing or connecting the short pin, finish the job in as short time as possible.
3. Take care not to apply excessive stress to the flexible board (FPC board).
4. Do not turn the variable resistor (laser power adjustment). It has already been adjusted.

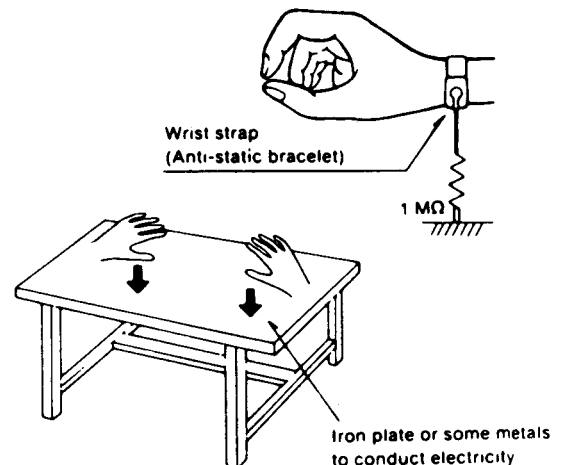


• Grounding for electrostatic breakdown prevention

1. Human body grounding
Use the anti-static wrist strap to discharge the static electricity from your body.
2. Work table grounding
Put a conductive material (sheet) or steel sheet on the area where the optical pickup is placed, and ground the sheet.

Caution:

The static electricity of your clothes will not be grounded through the wrist strap. So, take care not to let your clothes touch the optical pickup.



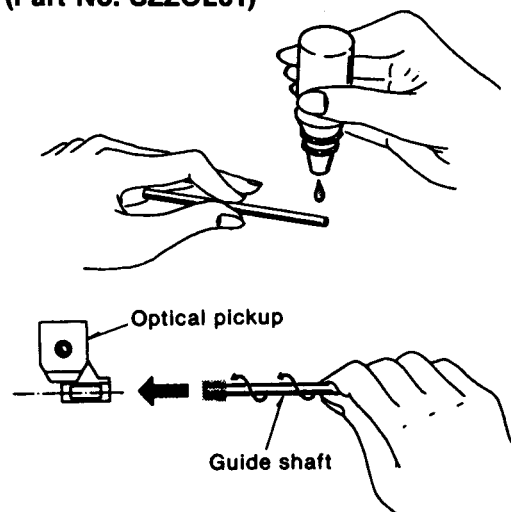
■ INSTRUCTIONS FOR TRAVERSE OIL (Part No. SZZOL31)

The container contains 6g (approx. 3ml) of oil.

One application (one shaft) uses 0.05ml of oil.

How to Use

- (1) Remove the guide shaft in the traverse deck from the optical pickup and clean off any dust from the guide shaft.
- (2) Apply one drop of the SZZOL31 to the tip of the guide shaft.
- (3) Hold the guide shaft so that its oiled end touches the optical pickup and insert it into the bearing while rotating it slowly.
- (4) After securing the guide shaft, move the optical pickup by hand several times to the left and right to distribute the oil on the guide shaft.



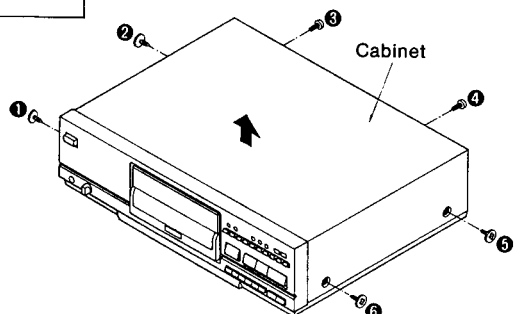
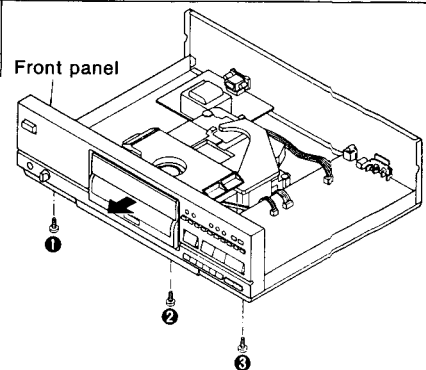
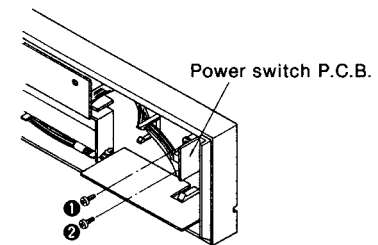
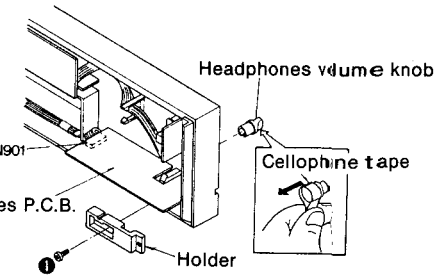
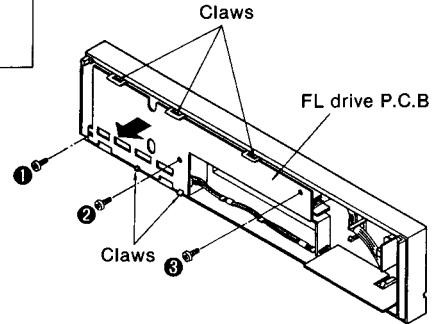
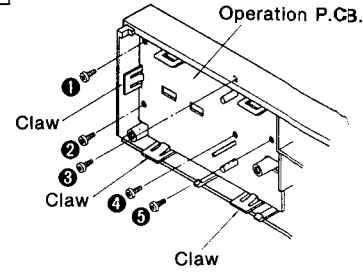
DISASSEMBLY INSTRUCTIONS

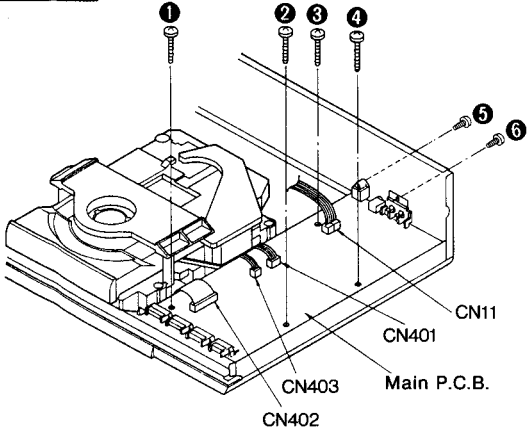
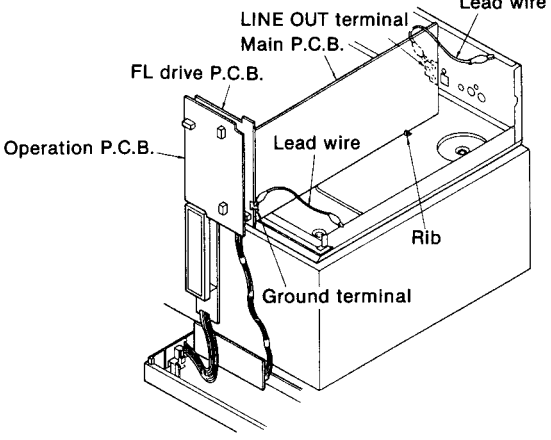
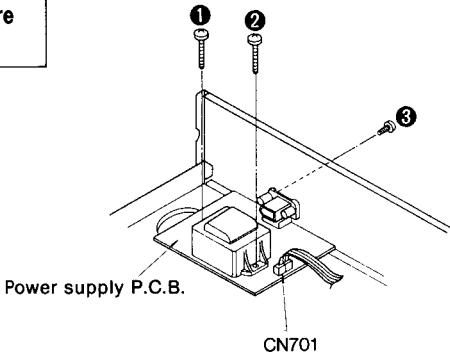
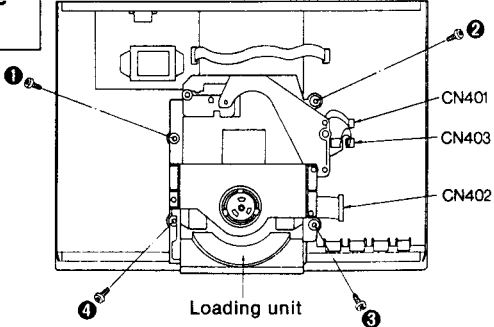
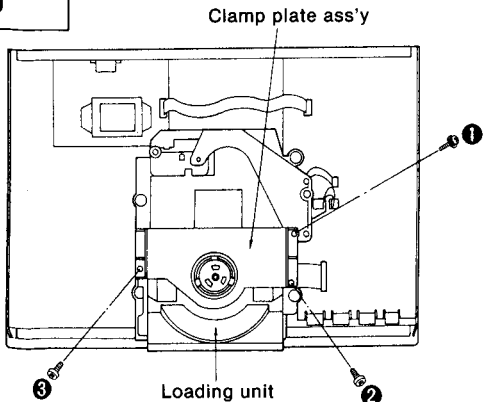
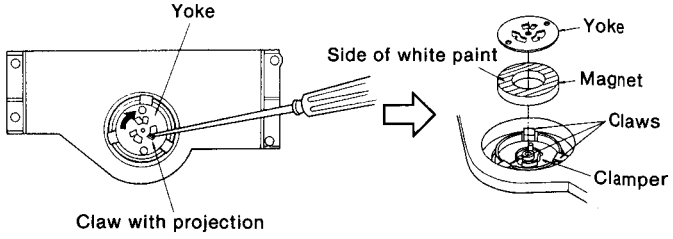
Warning: This product uses a laser diode. Refer to caution statements on page 3.

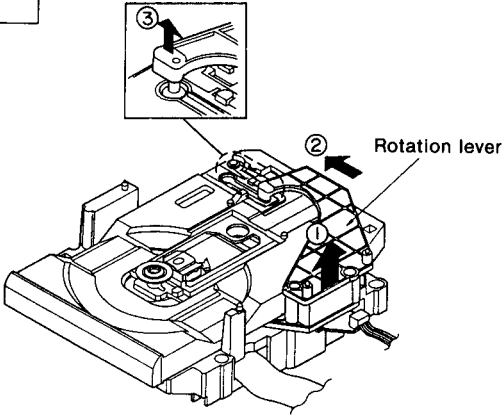
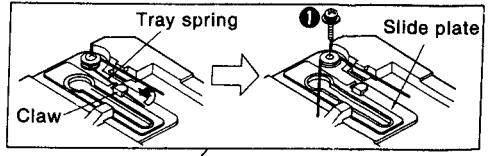
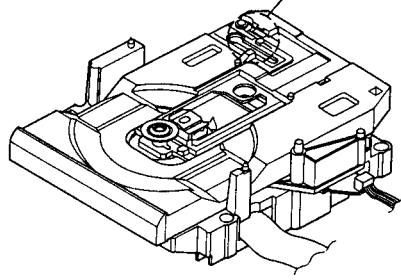
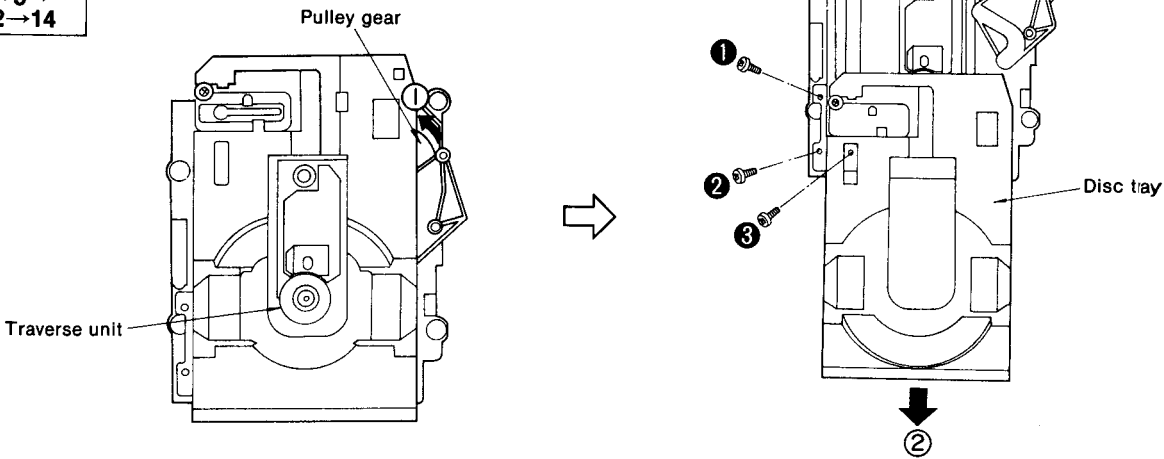
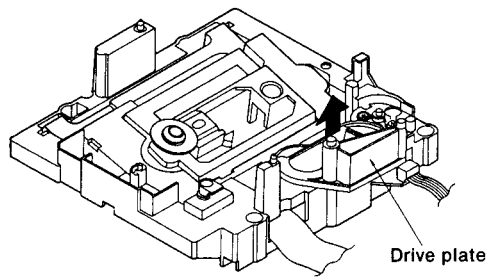
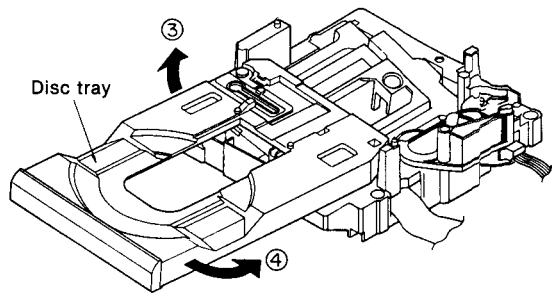
ACHTUNG:

- Die Lasereinheit nicht zerlegen.
- Die Lasereinheit darf nur gegen eine vom Hersteller spezifizierte Einheit ausgetauscht werden.

* This CD player is equipped with FPC board so handle them with care during disassembly and reassembly.

Ref. No. 1	Removal of the cabinet	Ref. No. 2	Removal of the front panel ass'y
Procedure 1	 <p>• Remove the 6 screws (①~⑥).</p>	Procedure 1→2	 <p>1. Remove the 3 screws (①~③). 2. Remove the front panel ass'y in the direction of arrow.</p>
Ref. No. 3	Removal of the power switch P.C.B.	Ref. No. 4	Removal of the headphones P.C.B.
Procedure 1→2→3	 <p>• Remove the 2 screws (①, ②).</p>	Procedure 1→2→4	 <p>1. Pull out the headphones volume knob. 2. Remove the 1 screw (①). 3. Remove the holder. 4. Remove the connector (CN901).</p>
Ref. No. 5	Removal of the FL drive P.C.B.	Ref. No. 6	Removal of the operation P.C.B.
Procedure 1→2→5	 <p>1. Remove the 3 screws (①~③). 2. Release the 5 claws. 3. Remove the FL drive P.C.B. in the direction of arrow.</p>	Procedure 1→2→5→6	 <p>1. Remove the 5 screws (①~⑤). 2. Release the 3 claws.</p>

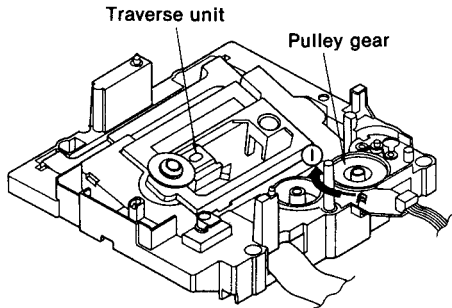
<p>Ref. No. 7</p>	<p>Removal of the main P.C.B.</p>	<p>How to check the main P.C.B.</p>	
<p>Procedure 1→2→7</p>	 <p>1. Remove the 4 flat cables (CN11, CN401, CN402, CN403). 2. Remove the 6 screws (①~⑥).</p>	<p>How to check the main P.C.B.</p>  <ul style="list-style-type: none"> • When checking the soldered surface of the main P.C.B. and replacing the parts, do as shown. • Don't remove the connectors (CN11, CN401, CN402, CN403). <p>Cautions:</p> <ol style="list-style-type: none"> 1. Connect the main P.C.B. ground terminal (LINE OUT terminal) to the chassis with a lead wire. 2. Connect the FL drive P.C.B. ground terminal to the chassis with a lead wire. 	
<p>Ref. No. 8</p>	<p>Removal of the power supply P.C.B.</p>	<p>Ref. No. 9</p>	<p>Removal of the loading unit</p>
<p>Procedure 1→8</p>	 <p>1. Remove the flat cable (CN701). 2. Remove the 3 screws (①~③).</p>	<p>Procedure 1→2→9</p>	 <p>1. Remove the 3 flat cables (CN401, CN402, CN403). 2. Remove the 4 screws (①~④).</p>
<p>Ref. No. 10</p>	<p>Removal of the clamp plate ass'y</p>	<p>Ref. No. 11</p>	<p>Removal of the magnet and clamber</p>
<p>Procedure 1→10</p>	 <p>• Remove the 3 screws (①~③).</p>	<p>Procedure 1→10→11</p>  <p>1. While lifting the claw with a screwdriver, rotate clamber in the direction of arrow and remove the yoke and magnet. 2. Release the 3 claws of clamber.</p>	

<p>Ref. No. 12</p>	<p>Removal of the rotation lever</p>	<p>Ref. No. 13</p>	<p>Removal of the slide plate</p>
<p>Procedure 1→2→9→ 10→12</p>	 <ul style="list-style-type: none"> Remove the rotation lever in the directions of ①, ②, ③. 	<p>Procedure 1→2→9→ 10→12→13</p>	  <ol style="list-style-type: none"> Remove the tray spring from claw. Remove the 1 screw (①). Remove the tray spring and slide plate.
<p>Ref. No. 14</p>	<p>Removal of the disc tray</p>	 <ol style="list-style-type: none"> Turn the pulley gear in the direction of arrow ① until the traverse unit comes down. Pull the disc tray in the direction of arrow ②. Remove the 3 screws (①~③). 	
<p>Ref. No. 15</p>	<p>Removal of the drive plate</p>	  <ol style="list-style-type: none"> Remove the drive plate in the direction of arrow. Remove the disc tray in the directions of arrow ③, ④. 	

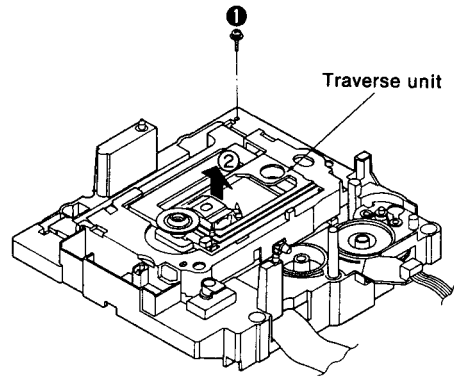
Ref. No.
16

Removal of the traverse unit

Procedure
14→15→16



1. Turn the pulley gear in the direction of arrow ① until the traverse unit comes up.



2. Remove the 1 screw (①).
3. Remove the traverse unit in the direction of arrow ②.

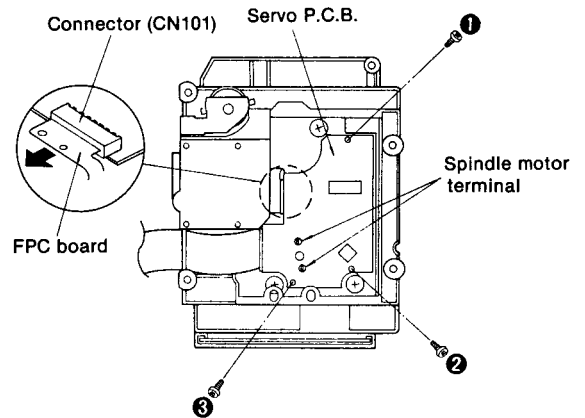
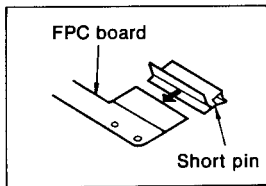
Ref. No.
17

Removal of the servo P.C.B.

Procedure
1→2→9→17

1. Remove the 3 screws (①~③).
2. Unsolder the 2 terminals of spindle motor.
3. Pull out the FPC board from the connector (CN101).

Caution: To prevent the breakdown of the laser diode, antistatic shorting pin is inserted into the FPC board.



Ref. No.
18

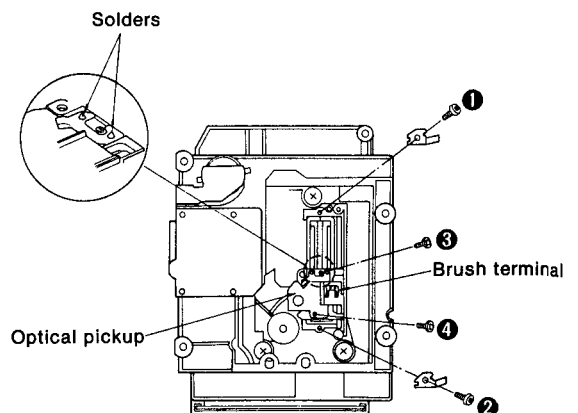
Removal of the optical pickup

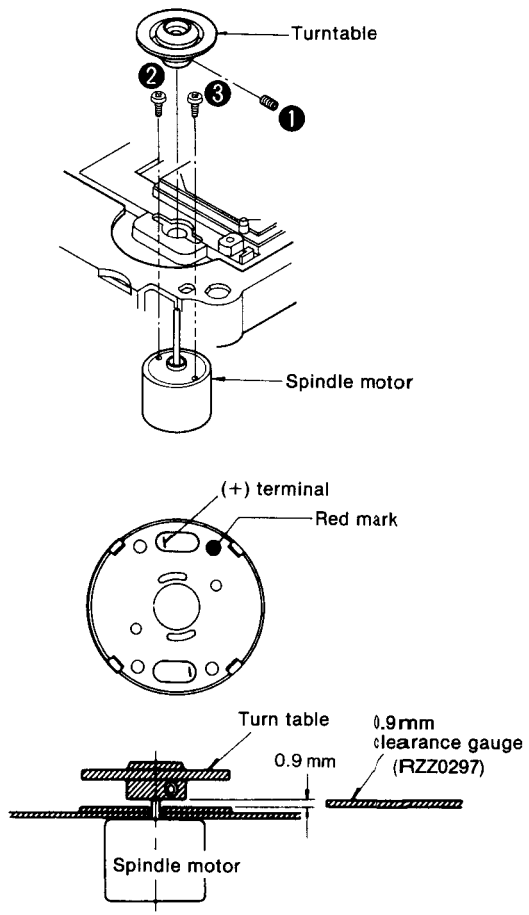
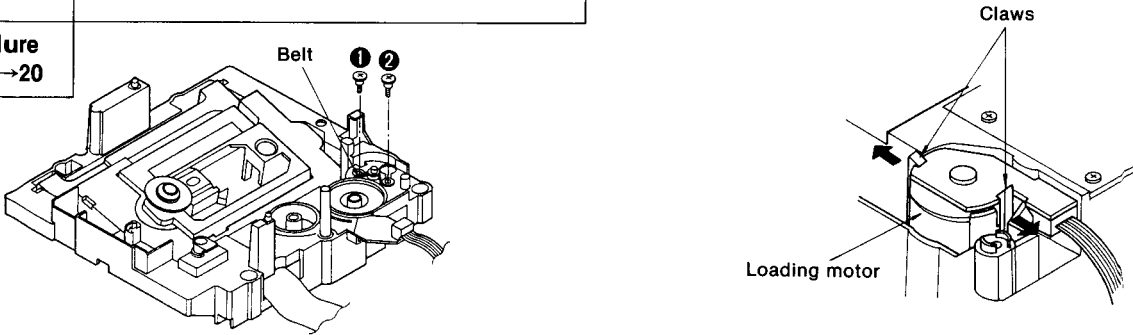
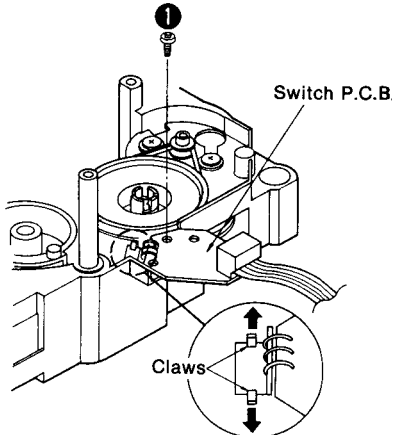
Procedure
1→2→9→
17→18

Refer to the handling precautions for optical pickup and instructions for traverse oil (See page 7).

1. Remove the 2 screws (①, ②).
2. Unsolder the 2 terminals and the 2 screws (③, ④).

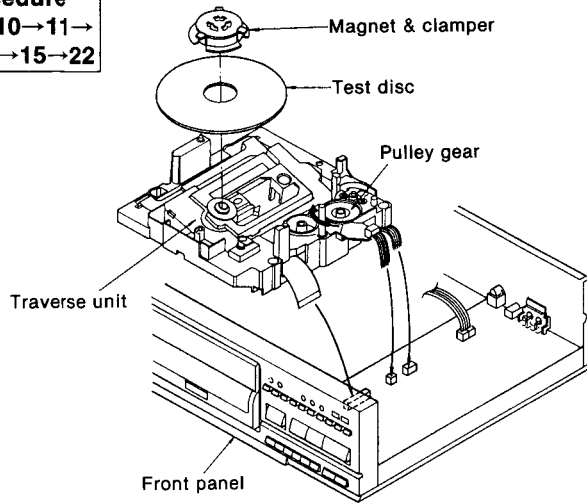
Caution: Take care not to touch the brush terminal.



<p>Ref. No. 19</p>	<p>Removal of the spindle motor</p>	 <p>Turntable</p> <p>Spindle motor</p> <p>(+) terminal</p> <p>Red mark</p> <p>Turn table</p> <p>0.9 mm</p> <p>0.9mm clearance gauge (RZZ0297)</p> <p>Spindle motor</p>
<p>Procedure 14→15→16→ 17→19</p>	<ol style="list-style-type: none"> Loosen the screw (1) by using a 1.27 mm allen wrench and remove the turntable. Remove the 2 screws (2, 3). <p>Caution:</p> <ol style="list-style-type: none"> Turntable height adjustment is necessary any time the turntable or spindle motor is replaced. The (+) terminal of the spindle motor is indicated by the red mark. <p>Adjustment of turntable height</p> <ol style="list-style-type: none"> Insert a 0.9mm clearance gauge (RZZ0297) between the turntable and loading base as shown right. Tighten the turntable set-screw by using a 1.27 mm allen wrench. <p>Caution:</p> <p>Refer to turntable height adjustment (see page 14).</p>	
<p>Ref. No. 20</p>	<p>Removal of the loading motor</p>	 <p>Belt</p> <p>Claws</p> <p>Loading motor</p>
<p>Procedure 14→15→20</p>	<ol style="list-style-type: none"> Remove the belt. Remove the 2 screws (1, 2). 	<ol style="list-style-type: none"> Release the 2 claws, and then remove the loading motor.
<p>Ref. No. 21</p>	<p>Removal of the switch P.C.B.</p>	 <p>Switch P.C.B.</p> <p>Claws</p>
<p>Procedure 14→15→21</p>	<ol style="list-style-type: none"> Remove the 1 screw (1). Release the 2 claws, and then remove the switch P.C.B. 	

Ref. No. 22	How to check the servo P.C.B.
----------------	--------------------------------------

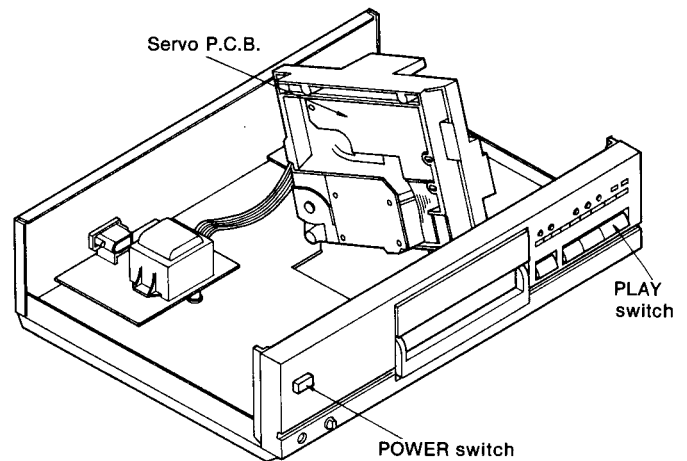
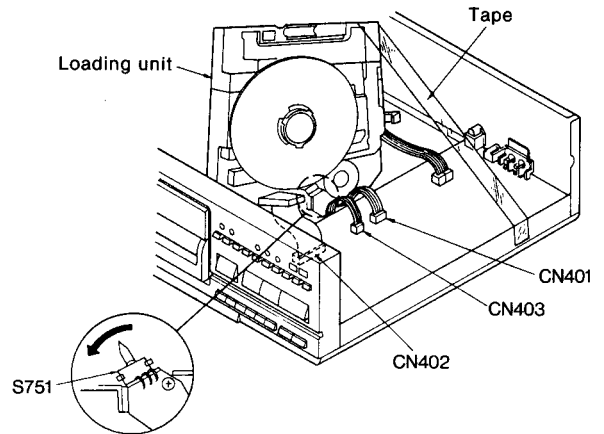
Procedure
1→9→10→11→
12→14→15→22



1. Turn the pulley gear fully in the direction of arrow until traverse unit comes up.
2. Place the test disc and fix it by using the magnet & clamber.

5. Power switch to ON.
6. While pushing the open/close det. switch (S751) in the direction of arrow, push the play switch.
7. When checking the soldered surface of servo P.C.B. and replacing the parts, do as shown.

3. Connect the 3 flat cables (CN401, CN402, CN403).
4. Fix the loading unit by tape.



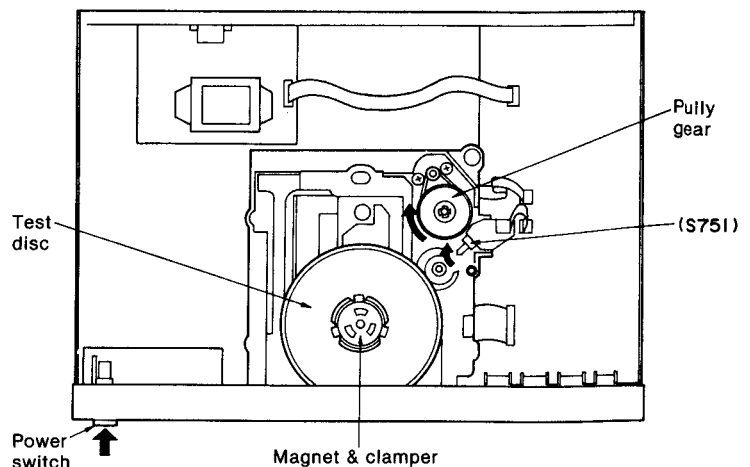
MEASUREMENTS AND ADJUSTMENTS

Warning: This product uses a laser diode. Refer to caution statements on page 3.

Caution: During adjustment, never connect CH-2 probe's GND to any place for it may short Vref line. (Connect CH-1 probe's GND to specified TP. described in each section.)

PREPARATION

1. Remove the cabinet and front panel (See Ref. No. 1, 2 of the disassembly instructions).
2. Remove the clamp plate ass'y, magnet and clamber (see Ref. No. 10, 11 of the same).
3. Remove the rotation lever, disc tray and drive plate (see Ref. No. 12, 14, 15 of the same).
4. Attach the front panel to the unit.
5. Turn the pulley gear fully in the direction of arrow until traverse unit comes up.
6. Place the test disc and fix it by using the magnet & clamber.
7. Power switch to ON.
8. While pushing the open/close det. switch (S751) in the direction of arrow, push the play switch.



• Adjustment procedure

Measuring Instruments and Special Tools

- * Test discs
 1. Playability test disc (SZZP1054C)
 2. Uneven test disc (SZZP1056C)
- * Normal disc (Ordinary musical program disc)
- * Filter (Refer to Fig. 1)
- * Dual-beam oscilloscope with bandwidth of 30MHz or better (with EXT. trigger and 1: 1 probe).
- * Allen wrench (M2.0) (SZZP1101C)
- * Allen wrench (M1.27)
- * Lock paint (RZZ0L01)
- * 0.9mm clearance gauge (RZZ0297)

Adjusting Procedure

* If you have replaced the optical pickup, spindle motor, or turntable, do the following adjustment:

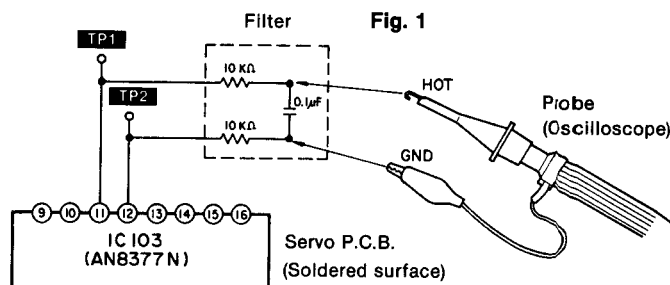
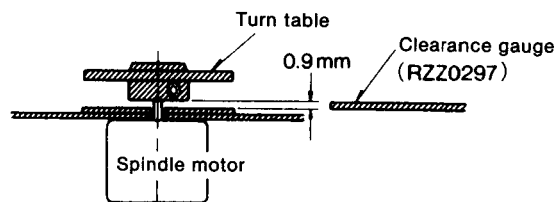
(1) TURNTABLE HEIGHT ADJUSTMENT

1. Insert the 0.9mm clearance gauge (RZZ0297) between the turntable and the loading base (see the figure at right).
2. Tighten the turntable retention screw with the 1.27 mm allen wrench.
3. Connect the oscilloscope's CH. 1 probe across TP1 (+) and TP2 (-) terminal via a filter.

Note: For the connection of oscilloscope's CH. 1 probe to servo P.C.B. on foil side. (Refer to Fig. 1)

Oscilloscope setting: VOLT500mV
 SWEEP5ms.
 Input coupling.....DC

4. Adjust oscilloscope's DC zero balance.
5. Switch the play power ON, and play the test disc (SZZP1054C).
6. Measure the voltage amplitude of the signal on the oscilloscope.



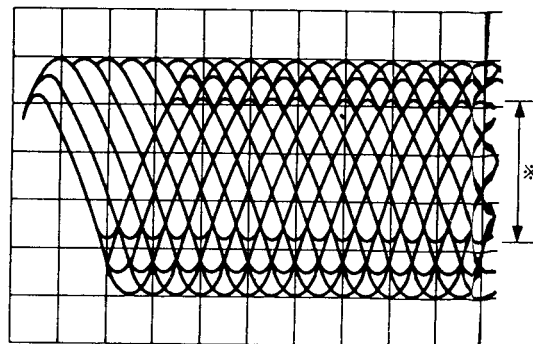
7. Adjust the height until the voltage is $0 \pm 1.0V$.
 If the voltage exceeds $+1.0V$, lower turntable.
 If the voltage is below $-1.0V$, elevate the turn table.
- Note:** Measure the voltage as 0V as possible.

(2) MECHANICAL ADJUSTMENT

1. Connect the oscilloscope's CH. 1 probe across TJ101 (RF) and TJ102 (GND) on the servo P.C.B.

Oscilloscope setting: VOLT200mV
 SWEEP0.5μs.
 Input coupling.....AC

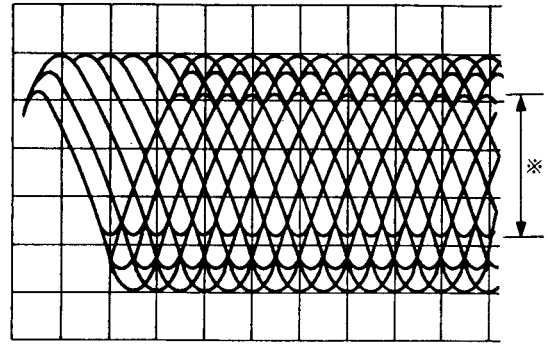
2. Switch the player power ON, and play track 7 on the test disc (SZZP1056C).
 (Playing any other track is selected, the HEX screws can not be accessed.)
3. Leave the player in play mode, and place the player as shown Fig. 2 on page 15.
4. Alternately adjust the two mechanical adjusting screws with the 2.0mm allen wrench (SZZP1101C) until the vertical fluctuation of RF signal is minimized and the eye pattern is most stretched.
5. After completing the adjustment, lock the mechanical adjusting screws with lock paint (RZZ0L01).



* Most stretched eye pattern.

(3) BEST EYE (PD BALANCE) ADJUSTMENT

1. Connect the oscilloscope's CH. 1 probe across **TJ101** (RF) and **TJ102** (GND) on the servo P.C.B.
Oscilloscope setting: VOLT200mV
 SWEEP0.5μs.
 Input coupling.....AC
2. Switch the player power ON, and play the 1kHz (track 1) on the test disc (SZZP1054C).
3. Adjust **VR101** until the vertical fluctuation of RF signal is minimized and the eye pattern is most stretched. (Refer to Fig. 3)



* Most stretched eye pattern.

(4) CHECK OF PLAY OPERATION AFTER ADJUSTMENT

* **Checking Skip Search**

1. Play an ordinary musical program disc.
2. Press the skip button to check for normal skip search operation (in both the forward and reverse directions).

* **Checking Manual Search**

1. Play an ordinary musical program disc.
2. Press the manual search button to check for smooth manual search operations at either low or high speed (in both the forward and reverse directions).

* **Checking Playability**

1. Play the 0.7mm black dot and the 0.7mm wedge on the playability test disc (SZZP1054C) and verify that no sound skip or noise occurs.
2. Play the middle tracks of the uneven test disc (SZZP1056C) and verify that no sound skip or noise occurs.

• **Adjustment points**

Note: Please refer to printed circuit boards for test point location.

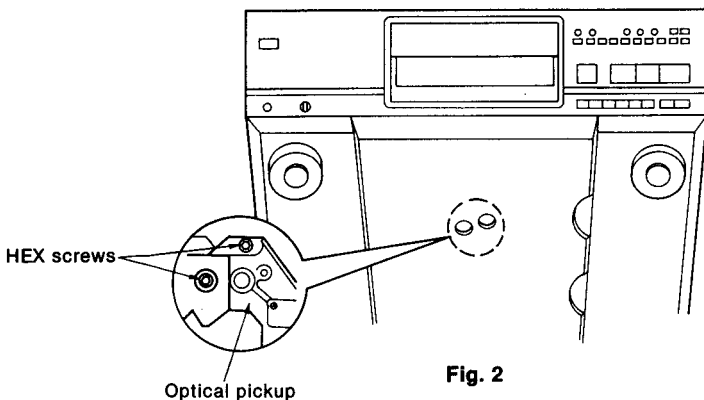
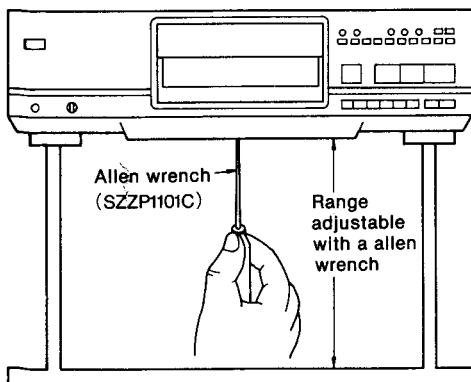


Fig. 2



• **SERVO P.C.B.**

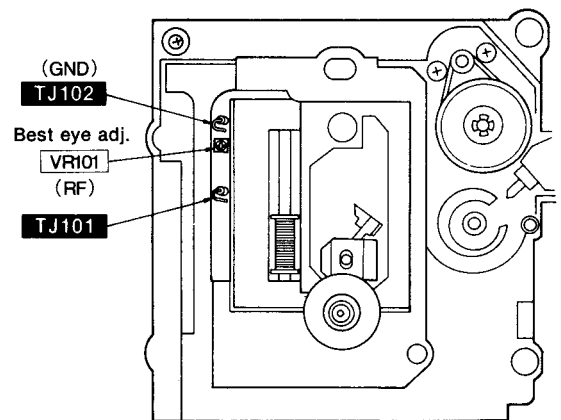


Fig. 3

■ TERMINAL FUNCTION OF IC'S

• IC101 (AN8800SCE2): Servo amp

Pin No.	Mark	I/O Division	Function
1	LDG	I	APC loop gain select
2	LDP	I	APC monitor PD polarity select
3	LD	O	Laser power auto control output
4	LPD	I	LD power monitor PD signal
5	GND	—	GND terminal
6	LDON	I	LD APC ON/OFF ("H": ON, "L": OFF)
7	AMP I	I	RF signal (X30 amp)
8	AMP O	O	
9	RF IN	I	RF AGC signal input
10	RF EQ	—	GND terminal
11	C. AGC	I	AGC detection capacitor input
12	ARF	O	RF signal output
13	C. SBDO	I	Dropout detection capacitor input
14	RF DET	O	RF detection signal ("L": detecting)
15	BDO	O	Dropout detection output
16	V _{CC}	I	Power supply terminal
17	SDO	O	Dropout detection pulse output
18	VAD+	O	Power supply terminal for A/D converter (+)
19	VREF	O	Reference voltage output
20	VAD-	O	Power supply terminal for A/D converter (-)
21	OFTR	O	Off track detection ("H": det.)

Pin No.	Mark	I/O Division	Function
22	PLAY	I	Play signal ("H": ON, "L": OFF)
23	WVEL	I	Double velocity ("H": double, "L": single)
24	TES	I	Tracking error shunt ("H": shunt, "L": output)
25	PTO	O	Potential amp output
26	PTI	I	Potential amp input
27	PBO	O	Potential buffer output
28	POT	I	Potential buffer input
29	CROSS	O	Tracking error zero cross output
30	TE	O	Tracking error signal
31	TE BAL	I	Oscillation det. signal
32	TBAL	I	Tracking balance adj. input
33	VDET	O	Oscillation det. signal ("H": det.)
34	FE	O	Focusing error signal
35	FBL 2	I	Focusing balance 2
36	FBL 1	I	Focusing balance 1
37	V _{CC}	I	Power supply terminal
38	GND	—	GND terminal
39	PDBD	I	Photo detector Bch input with delay
40	PDA	I	Photo detector Ach input without delay
41	PDB	I	Photo detector Ach input with delay
42	PDAD	I	Photo detector Bch input without delay

• IC102 (MN6650): Digital servo processor

Pin No.	Mark	I/O Division	Function
1	TES	O	Tracking error shunt signal ("H": shunt)
2	PLAY	O	Play signal ("H": play)
3	/RFDET	I	RF det. signal ("L": det.)
4	DO	I	Dropout signal ("H": dropout)
5	OFT	I	Off track signal ("H": off track)
6	ARF	I	RF signal input
7	WVEL	O	Double velocity status signal ("H": double)
8	PBO	I	Potensio buffer signal (analog input)
9	TE	I	Tracking error signal (analog input)
10	FE	I	Focus error signal (analog input)
11	VR2	I	Reference voltage for A/D (Low)
12	VR1	I	Reference voltage for A/D (High)
13	LDON	O	Laser power control ("H": ON)
14	V _{SS}	—	GND terminal
15	AV _{SS}	—	GND terminal
16	AV _{DD}	I	Power supply terminal
17	V _{DD}	I	Power supply terminal
18	TRV	O	Traverse servo control output
19	TVD	O	Traverse drive signal output
20	FOD	O	Focus drive signal output
21	TRD	O	Tracking drive signal output

Pin No.	Mark	I/O Division	Function
22	KICK	O	Kick pulse output
23	/TEST	I	Test terminal
24	V _{SS}	—	GND terminal
25	CLVS	I	Spindle servo phase synchro signal ("H": CLV, "L": Rough servo)
26	/TRON	O	Tracking servo ON signal ("L": ON)
27	MDATA	I	Command data signal
28	MCLK	I	Command clock signal
29	MLD	I	Command load signal ("L": LOAD)
30	SENSE	O	Sense signal
31	/FLOCK	O	Optical servo condition (focus) output
32	/TLOCK	O	Optical servo condition (tracking) output
33	/RST	I	Reset signal ("L": reset)
34	XI	I	Clock input (f=16.9344 MHz)
35 38	T0 T3	O	Test terminal (Ordinaly: open)
39 41	T4 T6	I	Test terminal (Ordinaly: L)
42	VDET	I	Oscillation det. signal ("H": det.)
43	TBAL	O	Tracking balance adj. output
44	TRCRS	I	Track cross signal input

• IC301 (MN6626): Digital signal processor

Pin No.	Mark	I/O Division	Function
1	AVSS	—	GND terminal
2	IREF	I	Reference current input
3	ARF	I	RF signal input
4	DRF	I	DSL bias terminal (Not used, open)
5	DSLFL	I/O	DSL loop filter terminal
6	PLLF	I/O	PLL loop filter terminal
7	AVDD	I	Power supply terminal
8	RSEL	I	RF signal polarity setting terminal (Not used, connected to VDD)
9 16	TBUS7 TBUS0	O	Test terminal
17	FLAG	O	Flag terminal
18	IPFLAG	O	Interpolation flag terminal
19	FCLK	O	Crystal frame clock (Not used, open)
20	BYTCK	O	Byte clock (Not used, open)
21	WDCK	O	Word clock (Not used, open)
22	RST	I	Reset terminal
23	TX	O	Digital audio signal
24	LDG	O	Lch deglitch signal (Not used, open)
25	RDG	O	Rch deglitch signal (Not used, open)
26	SRDATA	O	Serial data output (MSB first)
27	SCK	O	Serial bit clock output
28	LRCK	O	L/R discriminating signal
29	XCK	O	Crystal OSC terminal (f=16.9344MHz)
30	PMCK	O	Frequency division clock signal (Not used, open) $(f = \frac{1}{192} \times CK = 88.2\text{kHz})$
31	CSEL	I	Test terminal (Connected to GND)
32	PSEL		
33	X1	I	Crystal OSC terminal (f=16.9344MHz)
34	X2	O	
35	VSS	—	GND terminal
36	SUBQ	O	Sub-code Q data
37	SQCK	I	Sub-code Q register clock
38	CLDCK	O	Sub-code frame clock (f=7.35kHz) (Not used, open)

Pin No.	Mark	I/O Division	Function
39	BLKCK	O	Sub-code block clock (f=75Hz)
40	DEMPH	O	De-emphasis ON signal ("H": ON)
41	MEMP	I	Emphasis signal
42	MLD	I	Command load signal ("L": LOAD)
43	MCLK	I	Command clock signal
44	MDATA	I	Command data signal
45	D MUTE	I	Muting input ("H": MUTE)
46	SMCK	O	System clock (f=4.2336MHz)
47	STAT	O	Status signal (CRC, CUE, CLVS, TTSTOP, FCLV, SQOK)
48	CRC	O	Sub-code CRC check terminal ("H": OK, "L": NG)
49	SUBC	O	Sub-code serial output data (Not used, open)
50	SBCK	I	Sub-code serial output clock (Not used, open)
51	TRON	I	Tracking servo ON signal ("L": ON)
52	CLVS	O	Turntable servo phase synchro signal ("H": CLV, "L": Rough servo)
53	PC	O	Turntable motor ON signal ("L": ON)
54	ECM	O	Turntable motor drive signal (Forced mode)
55	ECS	O	Turntable motor drive signal (Servo error signal)
56	VDD	I	Power supply terminal
57	TEST	I	Test terminal (Normal: "H")
58	SSEL	I	"SUBQ" terminal mode select ("H": Q code buffer)
59	MSEL	I	"SMCK" terminal frequency select ("L": SMCK=4.2336MHz)
60	RESY	O	Re-synchronizing signal of frame sync. (Not used, open)
61	DO	I	Drop-out detection signal ("H": Drop-out) (Not used, connected to GND)
62	EFM	O	EFM signal (Not used, open)
63	PCK	O	PLL extract clock (f=1.3218MHz)
64	PDO	O	Phase compared signal of EFM and PCK (Not used, open)

• IC401 (MN1554PKK6): System control

Pin No.	Mark	I/O Division	Function
1	MUTE RELAY	O	Muting output
2	PLUNGER	—	(Not used, open)
3	SYNC	—	(Not used, open)
4	SIRQ	I	(Not used, connected to power supply.)
5	BLKCK	I	Sub-code block clock (f=75 Hz)
6	SQCK	O	Sub-code Q register clock
7	SBO	—	(Not used, open)
8	SUB Q	I	Sub-code Q data
9	RST	I	Reset terminal
10	CLOSE SW	I	Disc holder "close" det.
11	OPEN SW	I	Disc holder "open" det.
12	NC	—	(Connected to GND)
13			
14	CLOSE	O	Loading motor "close" command signal
15	OPEN	O	Loading motor "open" command signal
16 ┆ 24	NC	—	(Not connected)
25	V _{DD}	I	Power supply terminal
26 ┆ 28	NC	—	(Not connected)
29	NC	—	(Connected to GND)
30	MODE	—	(Not used, connected to power supply)
31	FUTA SW	—	
32	MODE	—	(Not used, connected to GND)

Pin No.	Mark	I/O Division	Function
33	STAT	I	Status signal (CRC, CUE, CLVS, TTSTOP, FCLV, SQOK)
34	TLOCK	I	Optical servo condition (tracking) input
35	FLOCK	I	Optical servo condition (focus) input
36	SENSE	I	Sense signal
37	RECV	I	Data receipt command signal
38	SEND	I	Data transmission command signal
39	ACK	I	Data discrimination signal
40	CLK	I	Data lock signal
41 ┆ 44	DATA 0 ┆ DATA 3	I	Key scan signal
45 ┆ 52	NC	—	(Not connected)
53	OSC 2	I	Clock input terminal (4.2336 MHz)
54	OSC 1		
55	X1	—	(Not used, connected to GND)
56	X0	—	(Not used, open)
57	V _{SS}	—	GND terminal
58	DMUTE	O	Muting output (H: mute)
59	MDATA	O	Command data signal
60	MCLK	O	Command clock signal
61	MLD	O	Command load signal (L: load)
62	TX	—	(Not used, open)
63	EMPH	O	De-emphasis signal
64	SERVO RST	O	Reset signal for servo

• IC601 (MND1616PKP): System control & FL drive

Pin No.	Mark	I/O Division	Function
1 } 5	D4 } D0	O	FL grid signal output
6 } 25	S0 } S19	O	FL anode signal output
26	S20	—	(Not used, open)
27	P65		
28	P66	O	LED drive signal (PAUSE)
29	P67	O	LED drive signal (PLAY)
30 } 37	P37 } P30	I	Key return signal
38 } 41	D3/P93 } D0/D90	O	Key scan signal
42	VREFL	—	(Not used, connected to GND)
43	CLK	O	Data lock signal
44	ACK	O	Data discrimination signal
45 } 47	P25 } P23	O	Key scan signal
48	VOL DOWN	—	(Not used, open)
49	VOL UP		
50	V INO		
51	VREFH	I	Reference voltage input
52	V _{DD}	I	Power supply terminal
53	NC	—	(Not connected)

Pin No.	Mark	I/O Division	Function
54	SMCK	I	Clock terminal (4.2336MHz)
55	V _{SS}	—	GND terminal
56	XI	I	(Not used, connected to GND)
57	XO	O	(Not used, open)
58	RST	I	Reset signal
59	REMOTE	I	Remote control signal
60	P14	—	(Not used, open)
61	P13		
62	JOG SW	—	(Not used, open)
63	SEND	O	Data transmission command signal
64	REC. V	O	Data receipt command signal
65	REC. E	I	Synchro edit control signal
66	SYNCR	O	
67	JOG 1	—	(Not used, open)
68	JOG 0		
69	SCL	I/O	Serial clock signal
70	SDA	I/O	Serial data signal
71	V _{SS}	—	GND terminal
72	NC	—	(Not used, open)
73	V _{PP}	I	FL drive power supply terminal
74 } 84	D15 } D5	O	FL grid signal

• IC801 (MN6474): Digital filter & D/A converter

Pin No.	Mark	I/O Division	Function
1	MLD	I	Command load input (load: L)
2	RSTB	I	Reset command
3	IE	I	Not used, connected to GND
4	TP1	—	TEST terminal
5	TP2	—	
6	TEST1	I	TEST terminal 1 (connected to GND)
7	TEST2	I	TEST terminal 2 (connected to GND)
8	NC	—	Not connected
9	NC	—	Not connected
10	AVDD4	I	Power supply (connected to +4.8V)
11	OUTL (-)	O	Lch data output, (-) terminal
12	AVSS4	I	GND terminal
13	AVSS3	I	GND terminal
14	OUTL (+)	O	Lch data output, (+) terminal
15	AVDD3	I	Power supply (connected to +4.8V)
16	NC	—	Not connected
17	AVDD2	I	Power supply (connected to +4.8V)
18	OUTR (+)	O	Rch data output, (+) terminal
19	AVSS2	I	GND terminal (analog system)
20	AVSS1	I	GND terminal (analog system)
21	OUTR (-)	O	Rch data output, (-) terminal

Pin No.	Mark	I/O Division	Function
22	AVDD1	I	Power supply (connected to +4.8V)
23	DVDD1	I	Power supply (connected to +4.9V)
24	DVSS1	I	GND terminal (digital system)
25	X2	O	Clock output
26	X1	I	Clock input
27	NC	—	Not connected
28	DVDD2	I	Power supply (connected to +4.9V)
29	DVSS2	I	GND terminal (digital system)
30	NSUB	I	Sub-strate terminal (Not used, connected to +4.9V)
31	ZFLGB	O	Zero input detector terminal (Not used, open)
32	192fs	O	192 fs (8.4672MHz) (Not used, open)
33	LRPOL	I	LR clock selector (Not used, connected to +4.9V)
34	LRCLK	I	LR discrimination signal input
35	BCLK	I	Serial bit clock input
36	SRDATA	I	Serial data input (MSB first)
37	DVSS 3	I	GND terminal (digital system)
38	DVDD	I	Power supply (connected to +4.9V)
39	384 fs	O	384 fs (16.9344MHz) output
40	PD	I	Power down terminal (Not used, connected to GND)
41	MDATA	I	Mode control data
42	MCLK	I	Data clock for MDATA

• IC103 (AN8377N): Traverse motor drive

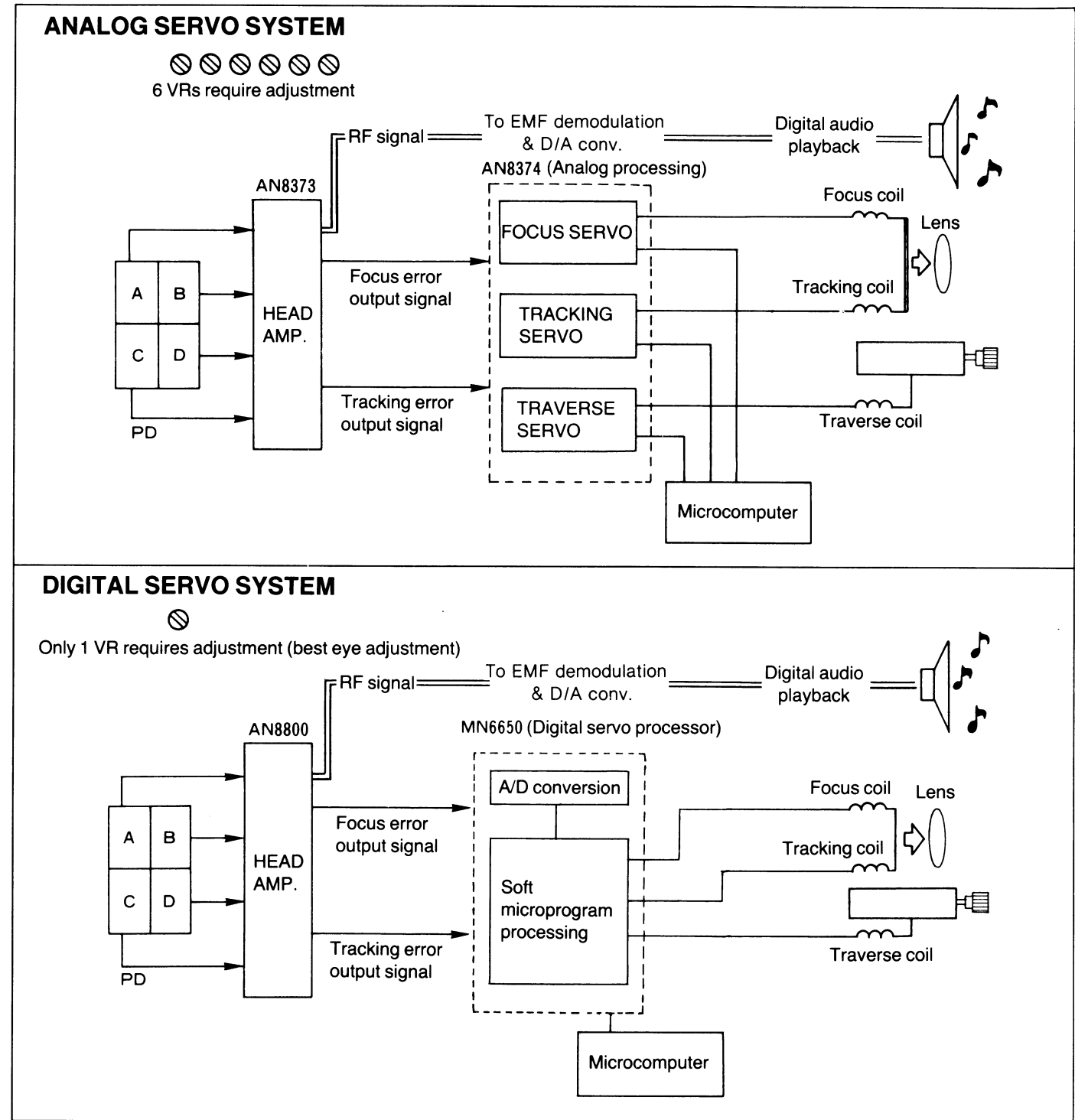
Pin No.	Mark	I/O Division	Function
1	P V _{CC}	I	Drive power supply
2	V _{CC}	I	Power supply terminal
3	TB	O	External transistor base driving output
4	VMON	O	Voltage output
5	TVD1	I	Traverse error signal input
6	TD1	I	Tracking error signal input
7	FD1	I	Focus error signal input
8	VREF	I	Reference voltage input

Pin No.	Mark	I/O Division	Function
9	FD+	O	Non-inverting output of focus driver
10	FD-	O	Inverting output of focus driver
11	TD+	O	Non-inverting output of tracking driver
12	TD-	O	Inverting output of tracking driver
13	TVD+	O	Non-inverting output of traverse driver
14	TVD-	O	Inverting output of driver
15	/RST	O	Reset signal output
16	PC	I	PC input (connect to GND)

■ DIGITAL SERVO SYSTEM

The newly-developed digital servo system is adopted in the servo circuit of the unit's CD player instead of the ordinary analog servo system.

- The diagrams shown below represent differences between the analog servo and digital servo systems. The HEAD AMP. output signals (i.e., focus error and tracking error output signals) are analog. These analog signals are converted to the 8-bit digital signals through the MN6650. The MN6650 performs the following adjustments automatically; focus offset, tracking offset, focus gain, tracking gain, and tracking balance adjustments. The outputs from the MN6650 such as the focus coil driving signal, tracking coil driving signal, and traverse motor driving signal are converted to analog signals again and sent to the coils and motor to perform proper servo control for a disc.



2. The servo process adjustments which (1) Focus offset, (2) tracking offset, (3) focus gain, (4) tracking gain, (5) tracking balance adjustments. You can obtain a better servo performance. [You must perform...]

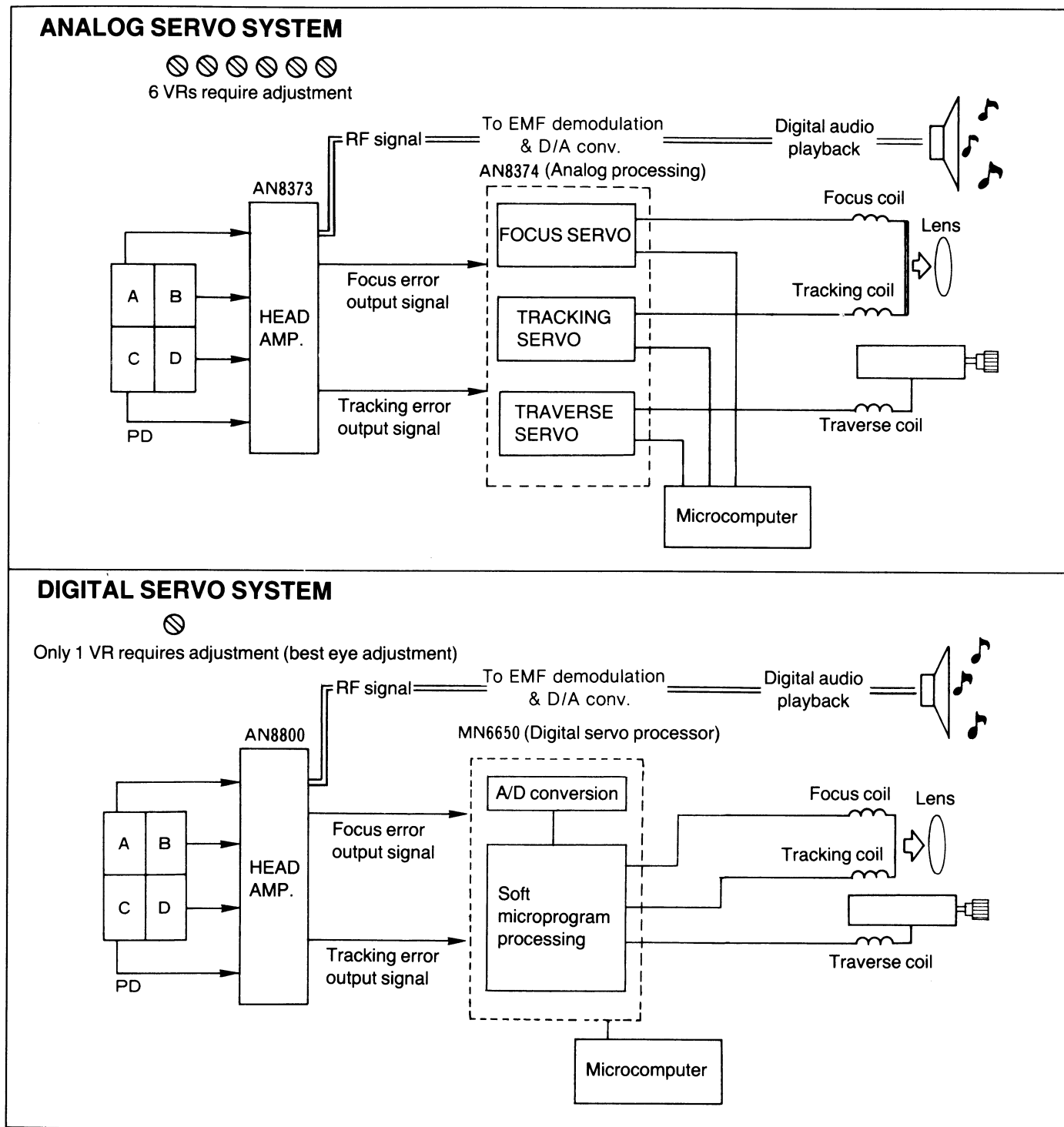
The following flow chart

• Flow chart

DIGITAL SERVO SYSTEM

The newly-developed digital servo system is adopted in the servo circuit of the unit's CD player instead of the ordinary analog servo system.

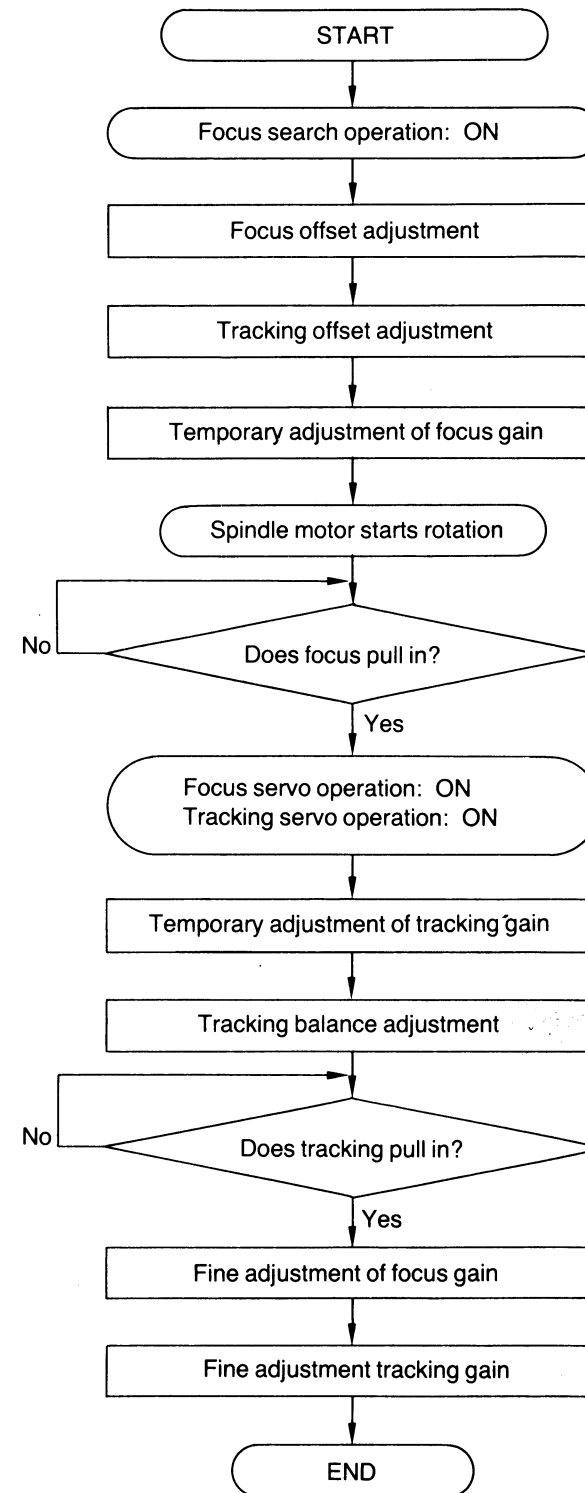
- The diagrams shown below represent differences between the analog servo and digital servo systems. The HEAD AMP. output signals (i.e., focus error and tracking error output signals) are analog. These analog signals are converted to the 8-bit digital signals through the MN6650. The MN6650 performs the following adjustments automatically; focus offset, tracking offset, focus gain, tracking gain, and tracking balance adjustments. The outputs from the MN6650 such as the focus coil driving signal, tracking coil driving signal, and traverse motor driving signal are converted to analog signals again and sent to the coils and motor to perform proper servo control for a disc.



- The servo processor IC MN6650 of the newly-developed digital servo circuit automatically performs the following adjustments which were originally adjusted in the conventional analog servo circuit: (1) Focus offset, (2) Tracking offset, (3) Focus gain, (4) Tracking gain, and (5) Tracking balance. Therefore, you do not have to perform the above-mentioned electrical adjustments manually. Only the best eye (PD balance) needs to be adjusted. You can obtain an optimum servo control for a disc to be played. [You must perform the best eye (PD balance) adjustment manually.]

The following flow chart shows the sequence of automatic adjustments.

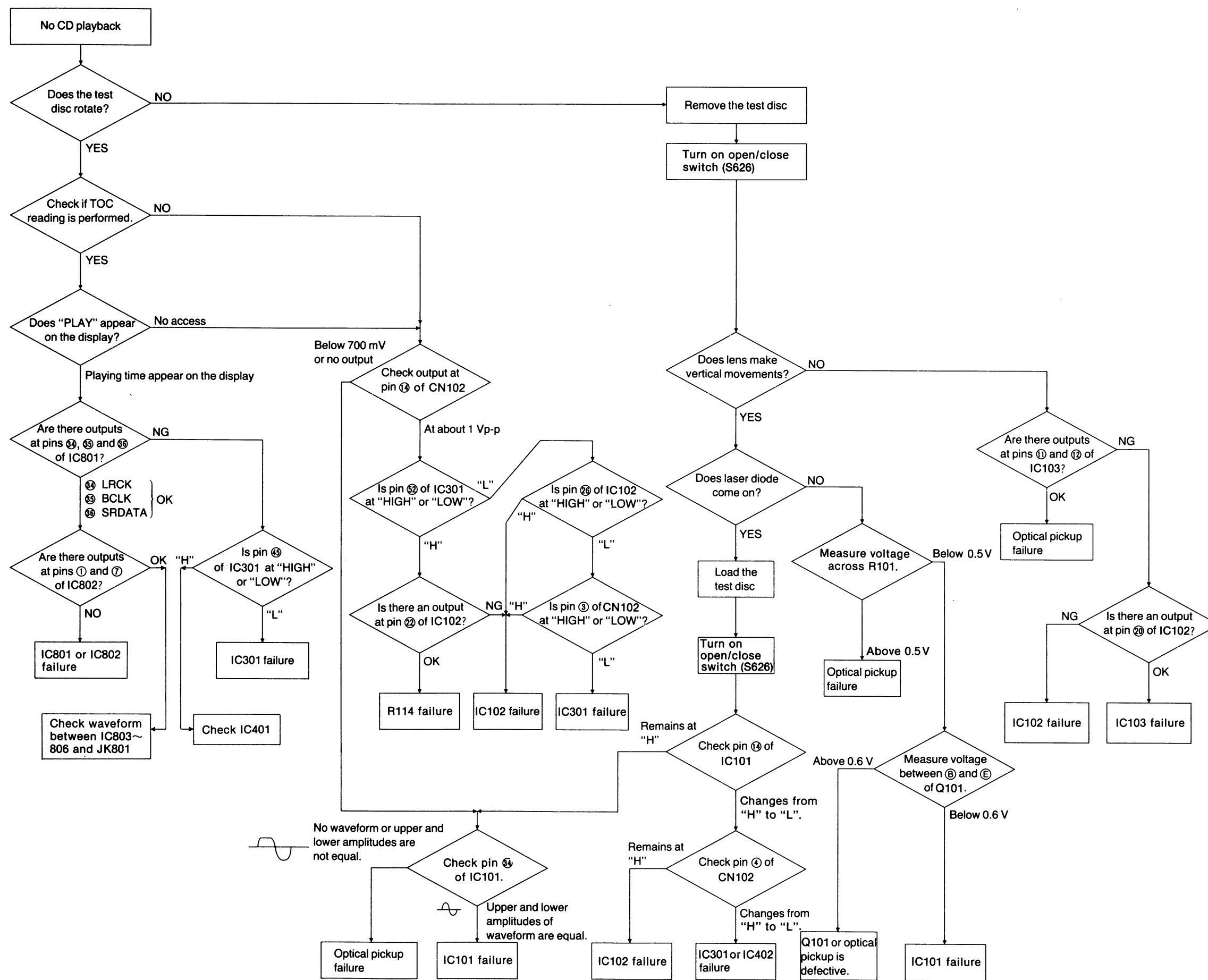
Flow chart on automatic adjustment sequence



Approx. 2.5 sec.

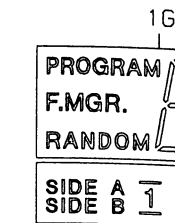
*Because the microcomputer precisely performs automatic adjustments as shown in the flow chart, it will take approx. 5 seconds to finish reading TOC data if a used disc is eccentric one or its surface is warped.

■ TROUBLESHOOTING GUIDE



■ INTERNAL C

• Grid connection

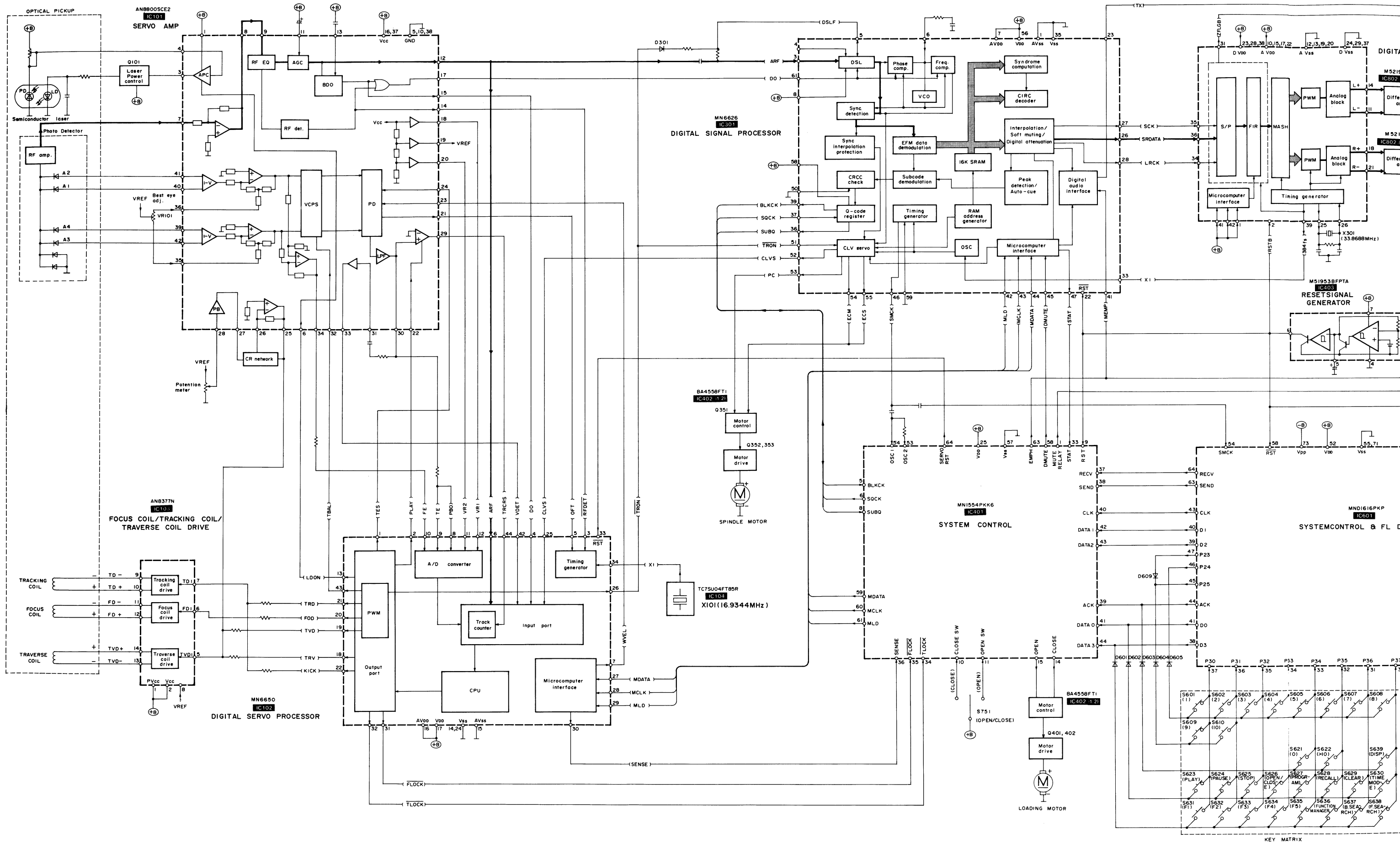


• Anode connection

• Pin connection

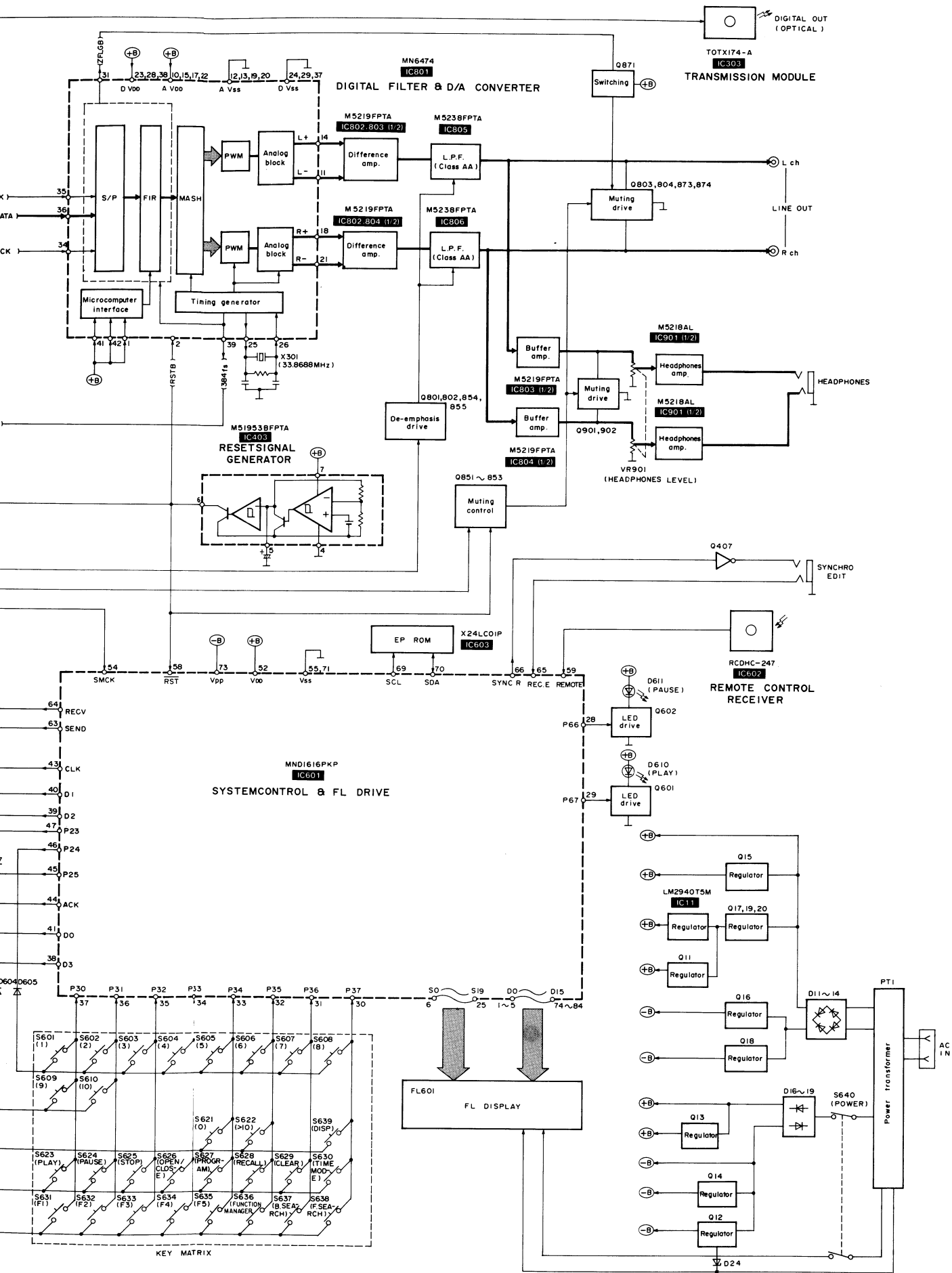
Pin No.	Connection

BLOCK DIAGRAM



■ TERMINAL GUIDE OF IC'S, TRANSISTORS AND DIODES

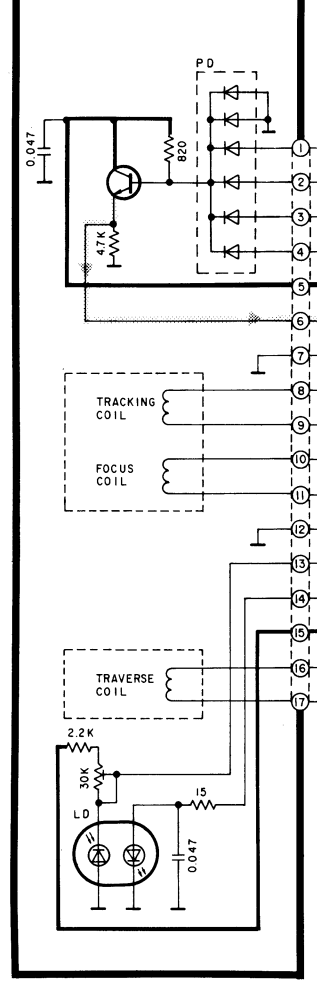
<p>BA4558FT1</p>	<p>M51953BFPTA M5219FPFTA M5238FPFTA</p>	<p>TC7SU04FT85R</p>	<p>AN8800SCE2</p>	<p>X24LC01P</p>
<p>AN8377N</p>	<p>MN6650</p>	<p>MN6474</p>	<p>MN1554PKK6 MN6626</p>	<p>MND1616PKP</p>
<p>M5218AL</p>	<p>LM2940T5M</p>	<p>RCDHC-247</p>	<p>T0TX174-A</p>	<p>2SA1309QRSTA 2SC3311QRSTA 2SD1450RSTTA</p>
<p>DTA114ESTP DTC114ESTP DTA124ESTP DTC124ESTP</p>	<p>2SA1547QTV2 2SB1238QSTV6 2SB1240QRTV6 2SD1862QRTV6</p>	<p>2SD2037DEFTA 2SB1357DEFTA</p>		
<p>1SS254TA</p>	<p>MA4082MTA MA4091MTA</p>	<p>MA4330MTA MTZJ6R2BTA MTZJ16CTA MTZJ12CTA</p>	<p>1SR35200TB</p>	<p>SVGDAY7851 SVGDPG7851Y</p>



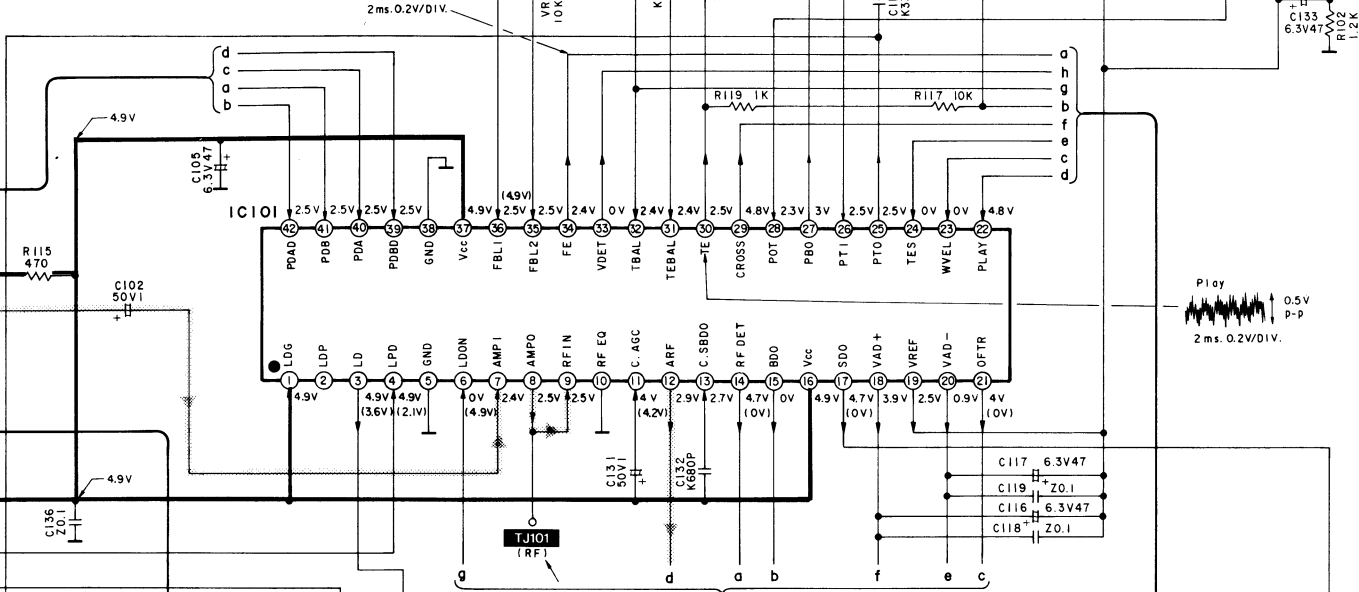
Note) : Audio signal

A SERVO CIRCUIT

OPTICAL PICKUP



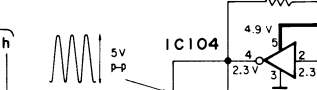
IC101 AN8800SCE2 SERVO AMP



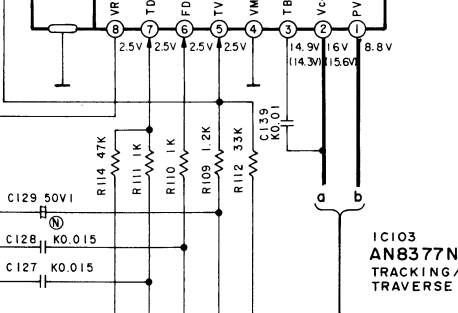
Q101 2SA1547QTV2 LASER POWER CONTROL



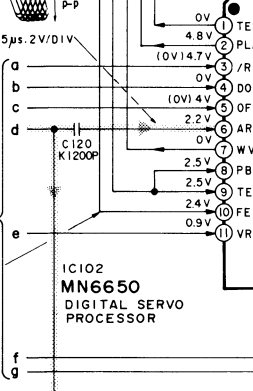
IC104 TC7SU04FT85R BUFFER AMP (OSC)



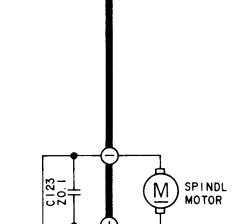
IC103 AN8377N TRACKING/FOCUS/ TRAVERSE COIL DRIVE



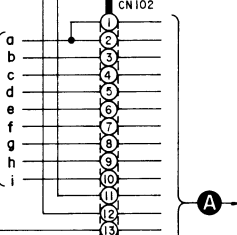
IC102 MN6650 DIGITAL SERVO PROCESSOR



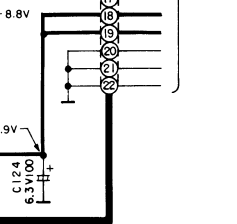
IC105 AN8377N TRACKING/FOCUS/ TRAVERSE COIL DRIVE



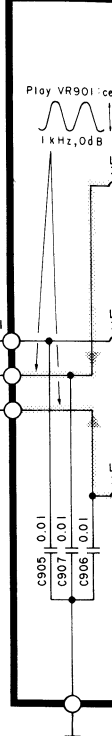
IC106 AN8377N TRACKING/FOCUS/ TRAVERSE COIL DRIVE



IC107 AN8377N TRACKING/FOCUS/ TRAVERSE COIL DRIVE



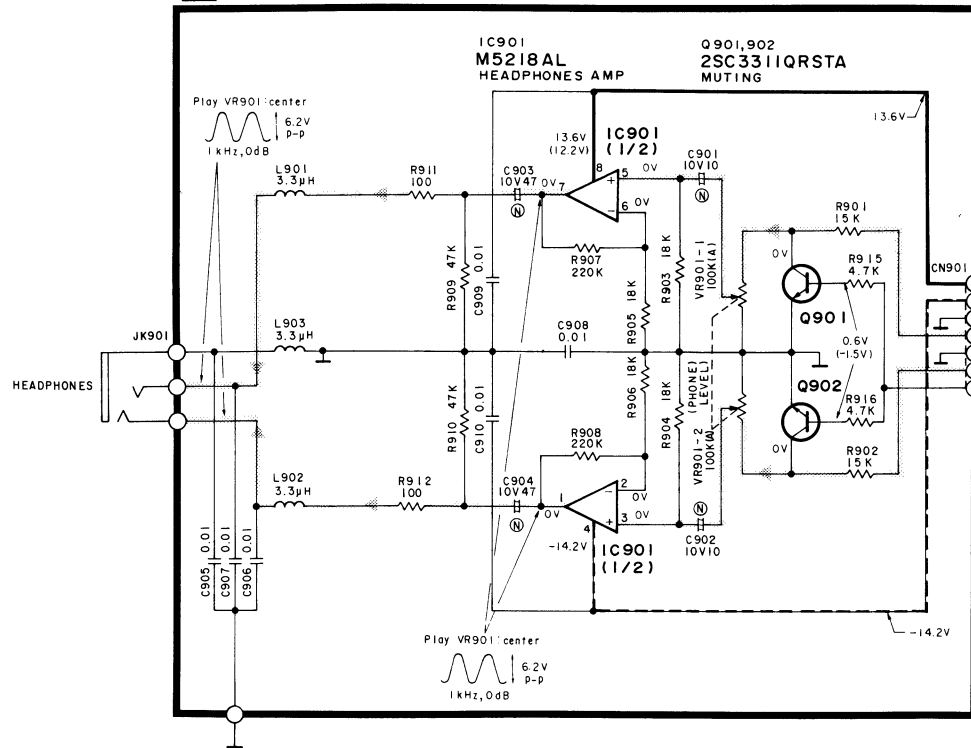
B HEAD



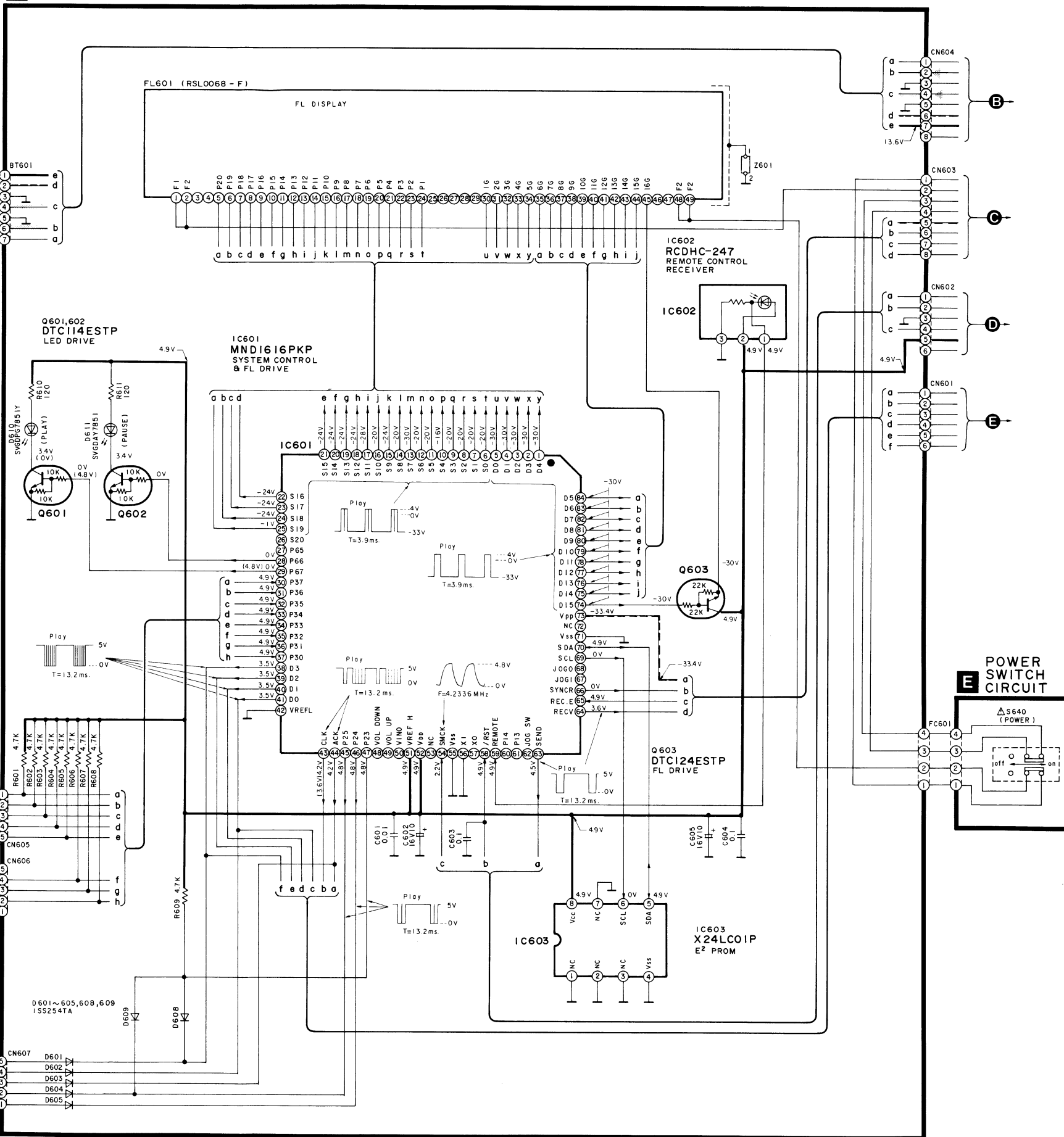
C OPER



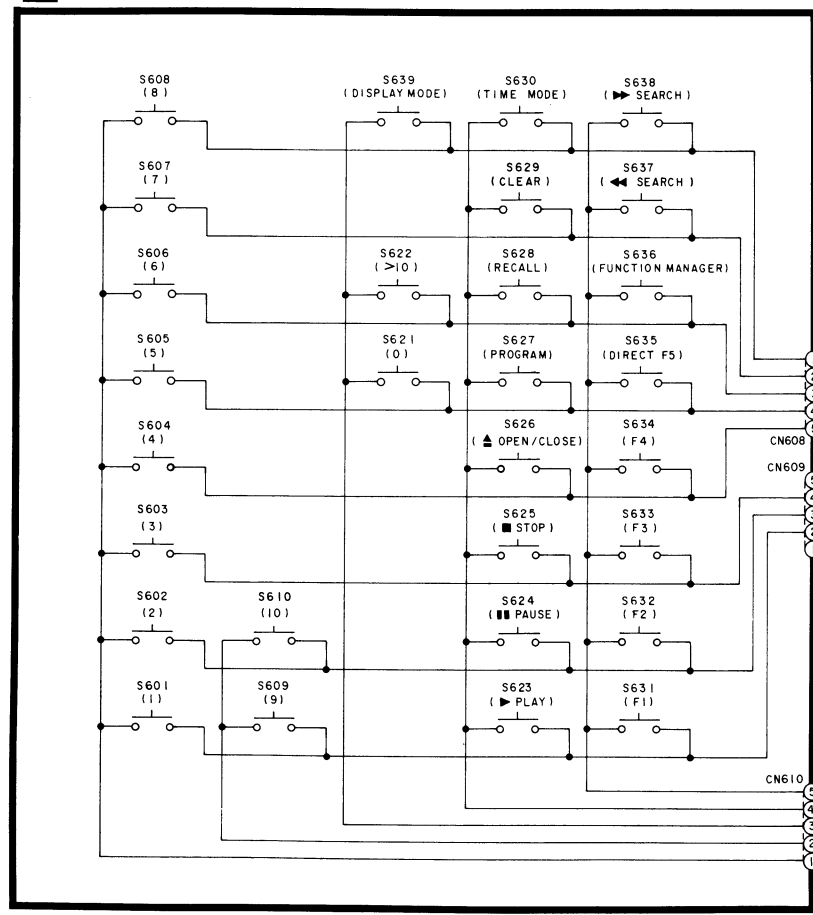
B HEADPHONES JACK CIRCUIT



D FL DRIVE CIRCUIT



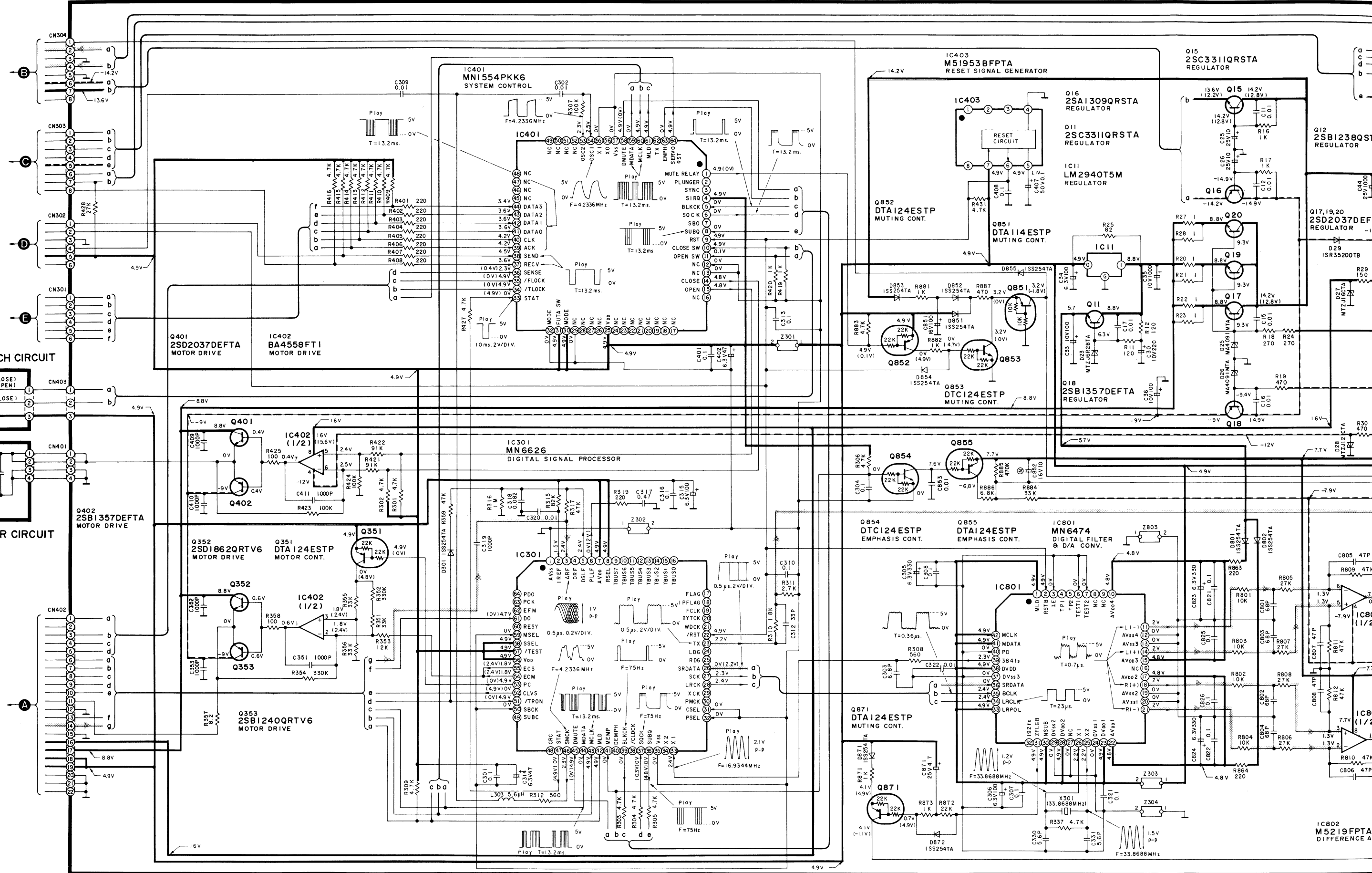
C OPERATION CIRCUIT



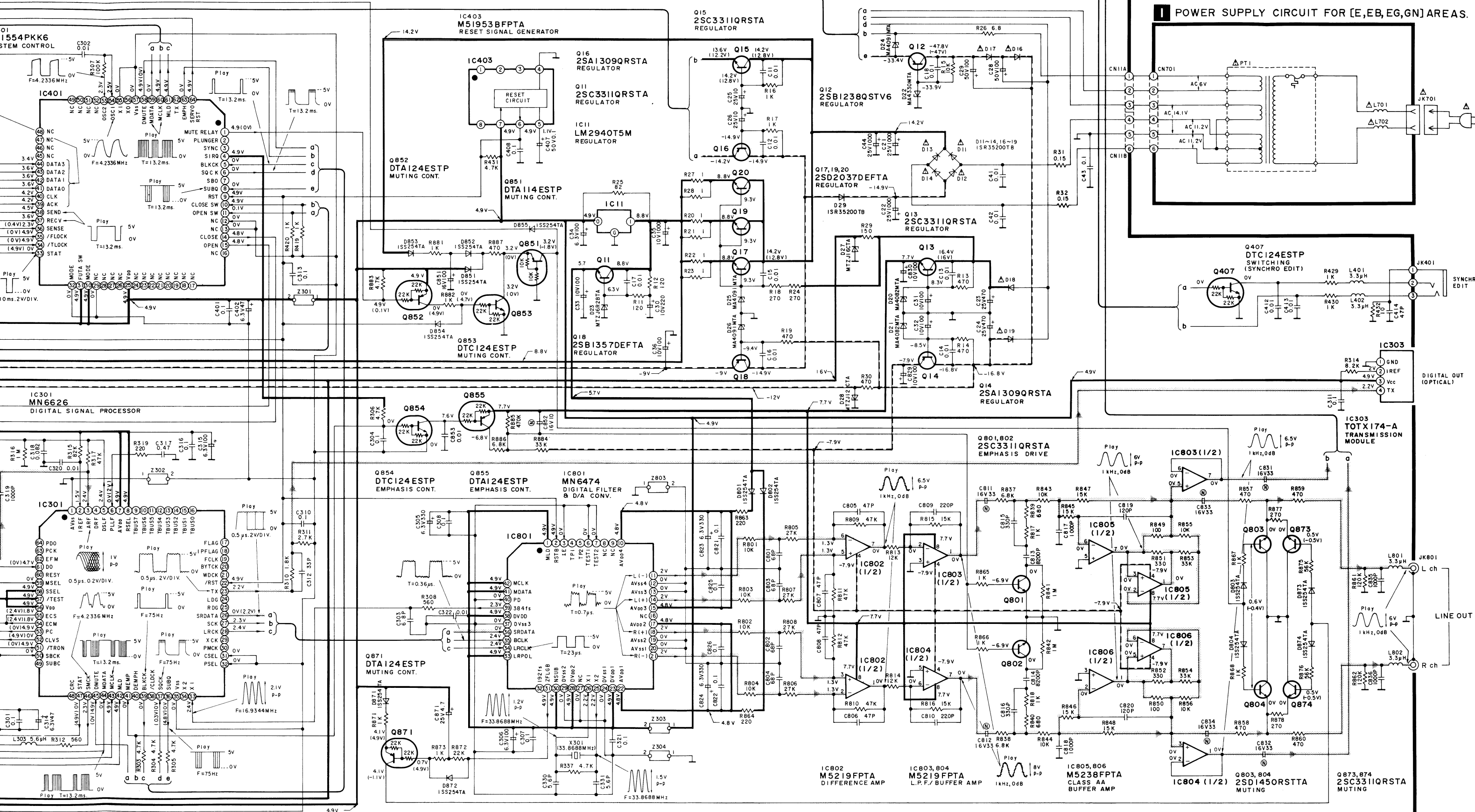
H MAIN CIRCUIT

F SWITCH CIRCUIT

G MOTOR CIRCUIT



IC802 M5219FPTA DIFFERENCE AMPLIFIER



POWER SUPPLY CIRCUIT FOR [E,EB,EG,GN] AREAS.

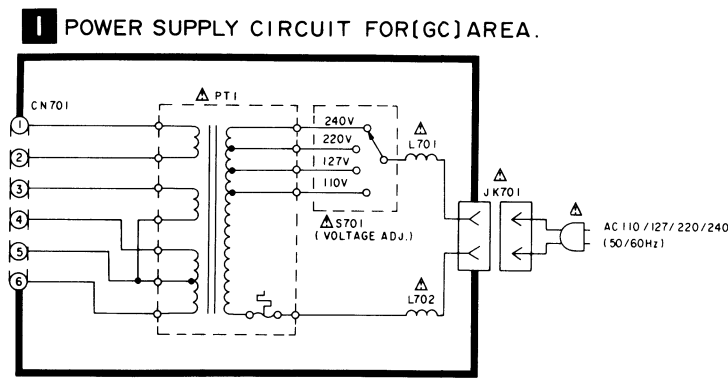
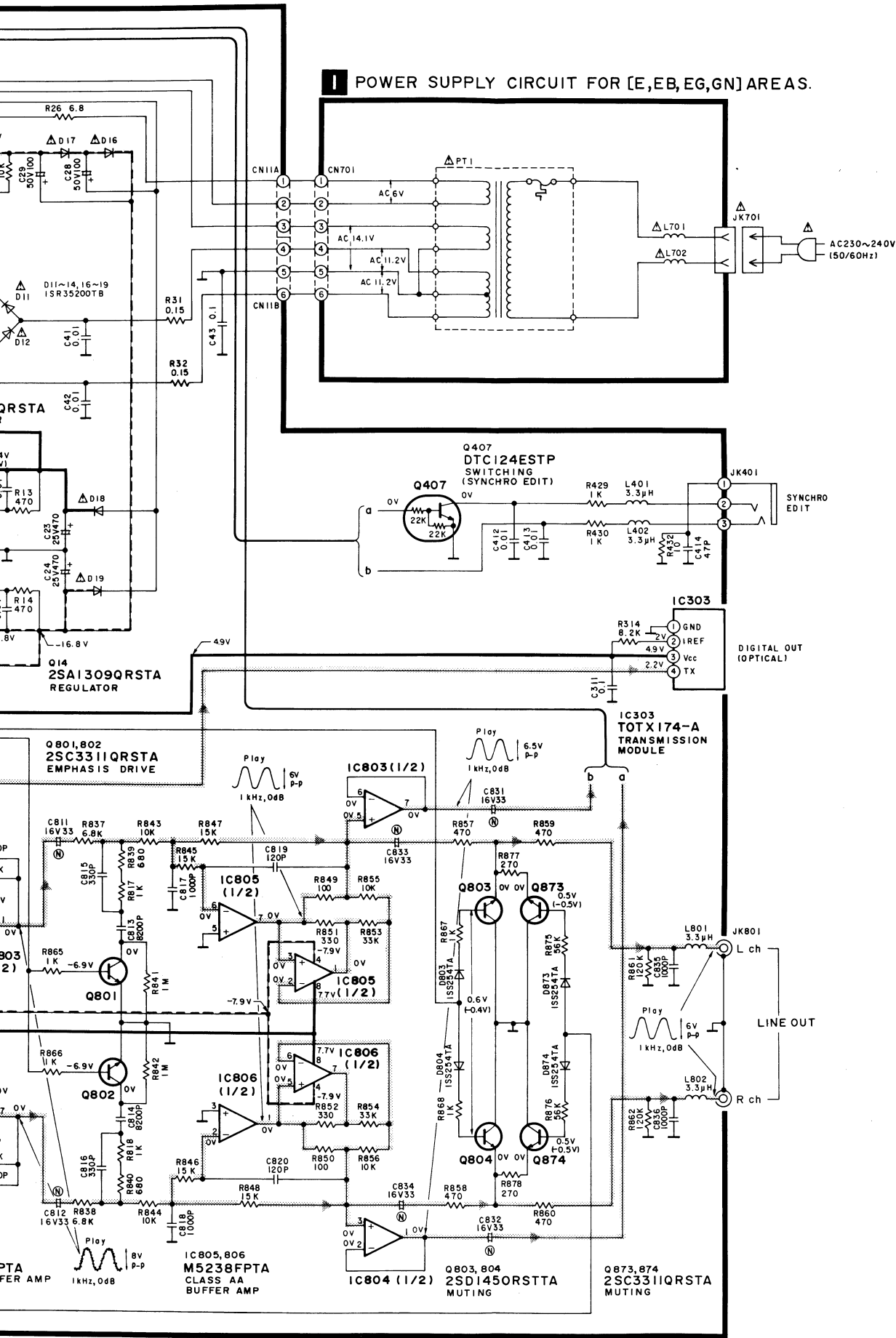
SCHEMATIC DIAGRAM

(Parts list on pages 51~54.)

This schematic diagram may be modified at any time with development of new technology.

Note:

- **S601~610** : Numeric (0~10) switches.
 621 [S601: 1, S602: 2, S603: 3, S604: 4, S605: 5, S606: 6, S607: 7, S608: 8, S609: 9, S610: 10, S621: 0]
- **S622** : Input mode (>10) switch.
- **S623** : Play (▶) PLAY switch.
- **S624** : Pause (■) PAUSE switch.
- **S625** : Stop (■) STOP switch.
- **S626** : Disc holder open/close (▲) OPEN/CLOSE switch.
- **S627** : Program (PROGRAM) switch.
- **S628** : Recall (RECALL) switch.
- **S629** : Clear (CLEAR) switch.
- **S630** : Time mode select (TIME MODE) switch.
- **S631~634** : Function (F1~F4) switches.
 [S631: F1, S632: F2, S633: F3, S634: F4]
- **S635** : Direct (DIRECT, F5) switch.
- **S636** : Function manager (FUNCTION MANAGER) switch.
- **S637, 638** : Search (SEARCH) switches.
 [S637: ◀◀, S638: ▶▶]
- **S639** : Display mode (DISPLAY MODE) switch.
- **S640** : Power (POWER) switch in "on" position.
- **S701** : Voltage adjustment switch in "240V" position.
 (110V ↔ 127V ↔ 220V ↔ 240V) [For (GC) area only.]
- **S751** : Disc holder open /close detector switch.
- The voltage value and waveforms are the reference voltage of this unit measured by DC electronic voltmeter (high impedance) and oscilloscope on the basis of chassis. Accordingly, there may arise some error in voltage values and waveforms depending upon the internal impedance of the tester or the measuring unit.
- * The parenthesized are the values of voltage generated during playing (Test disc 1 kHz, L+R, 0dB), others are voltage values in stop mode.
- Important safety notice:
 Components identified by Δ mark have special characteristics important for safety. When replacing any of these components, use only manufacturer's specified parts.
- The supply part number is described alone in the replacement parts list.



Part No.	Original Part No.	Supply Part No.
IC11	LM2940T5M	LM2940T5
IC402	BA4558FT1	SVIBA4558F
IC602	RCDHC-247	RCD0003
IC802~804	M5219FPTA	M5219FP
IC805, 806	M5238FPTA	SVIM5238FP
IC901	M5218AL	M5218L

- ——— / ——— : Positive voltage lines and negative voltage lines.
- ——— : audio signal lines.

Caution!
 IC and LSI are sensitive to static electricity. Secondary trouble can be prevented by taking care during repair.

- Cover the parts boxes made of plastics with aluminum foil.
- Ground the soldering iron.
- Put a conductive mat on the work table.
- Do not touch the pins of IC or LSI with fingers directly.

PRINTED CIRCUIT BOARDS

A

B

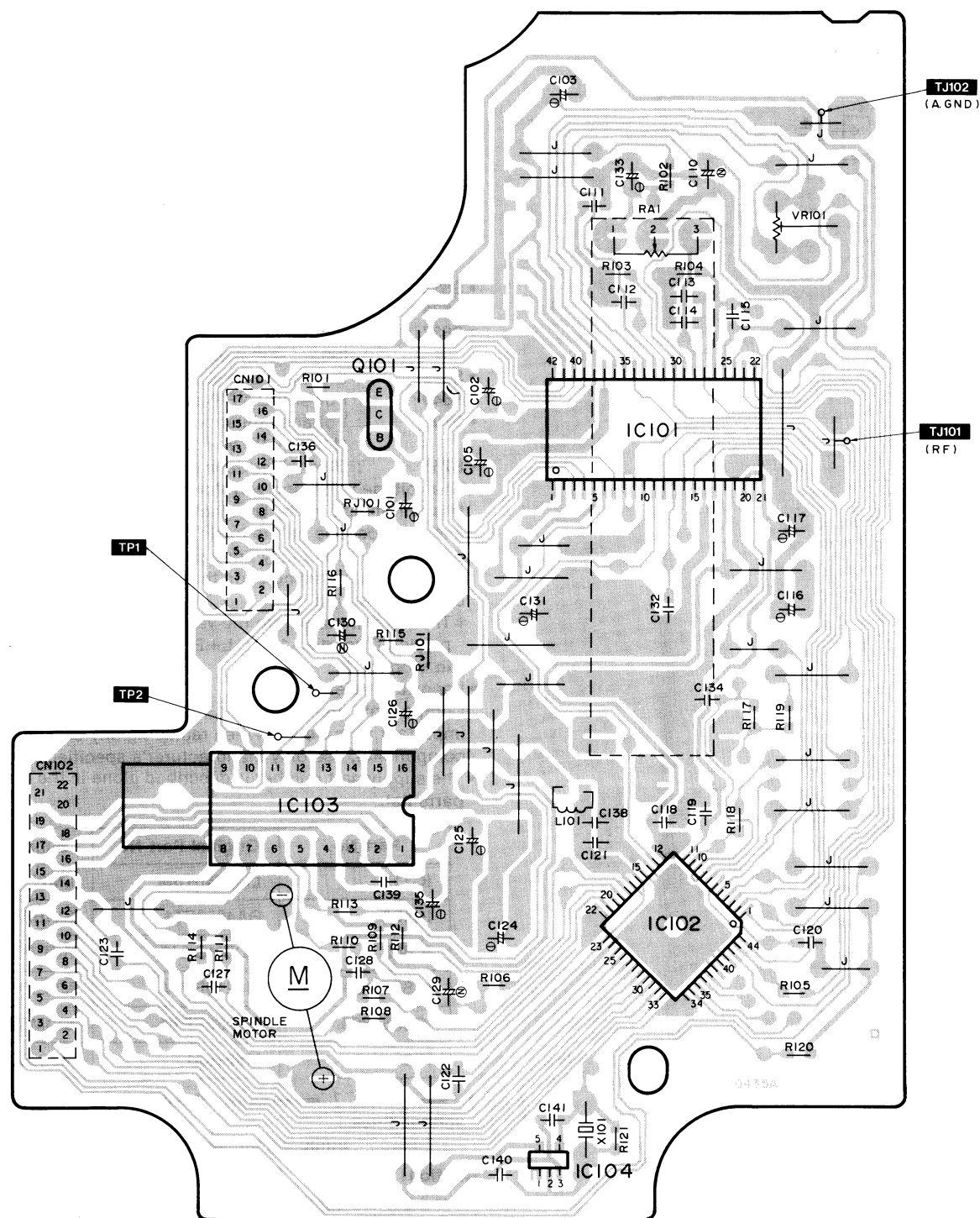
C

D

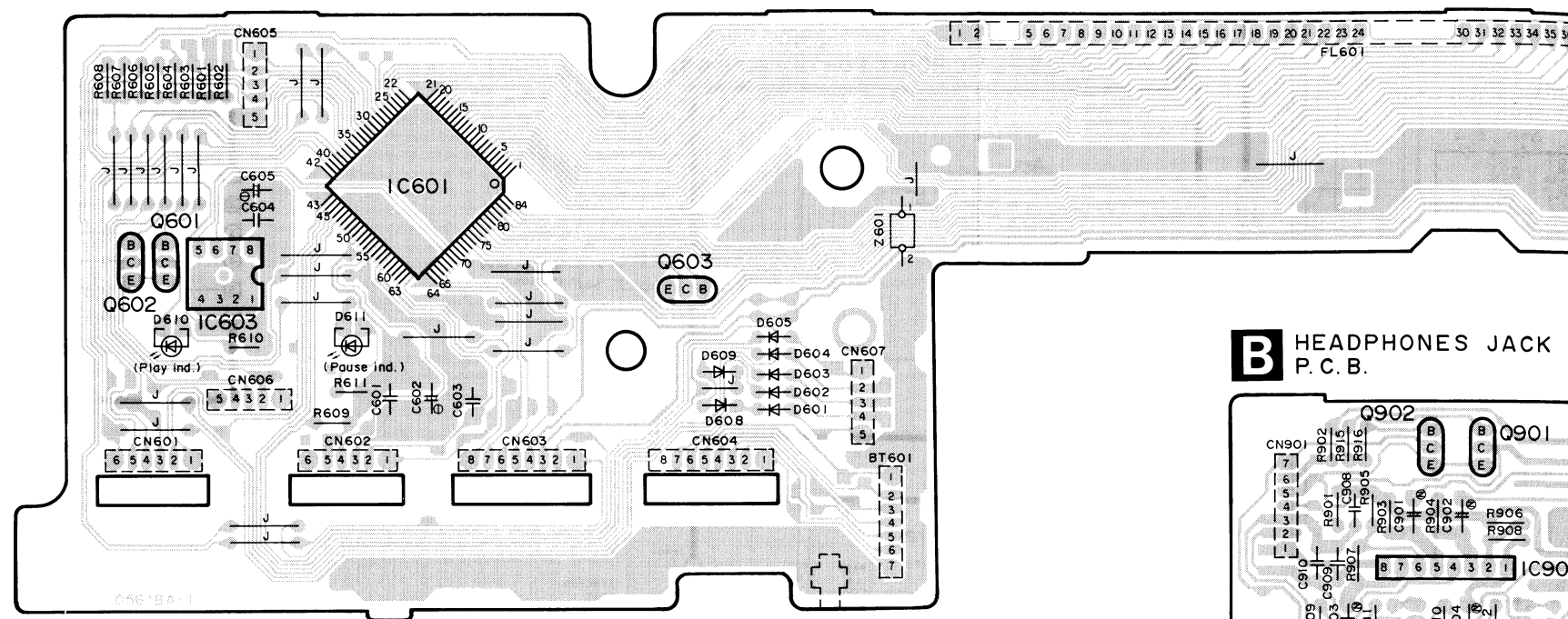
E

F

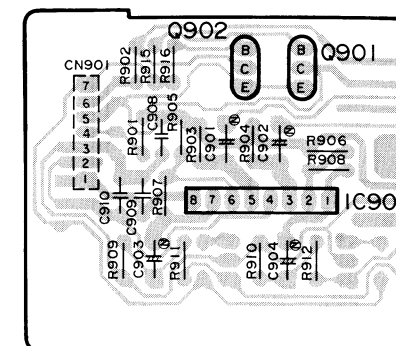
A SERVO P.C.B.



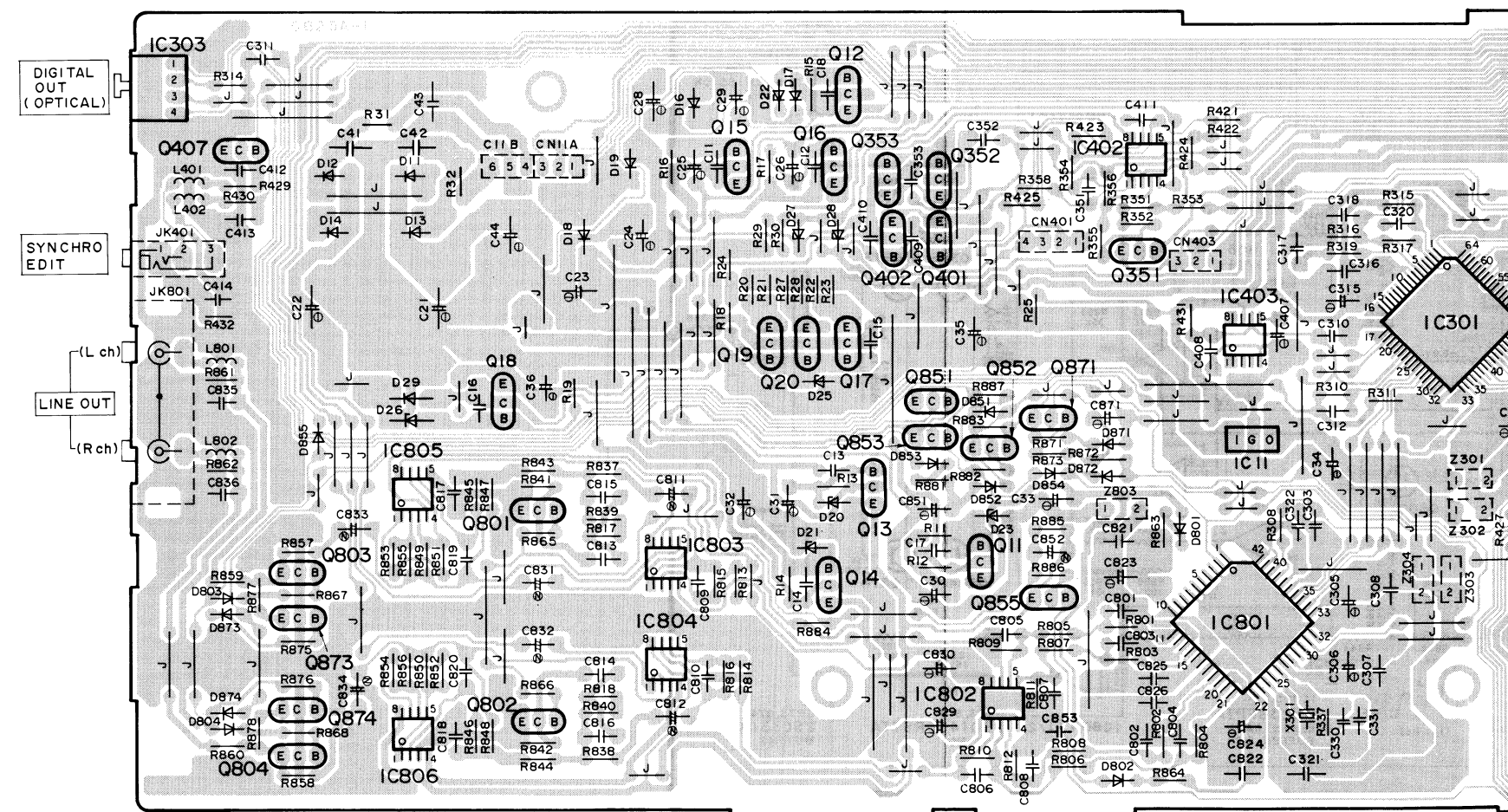
D FL DRIVE P.C.B.



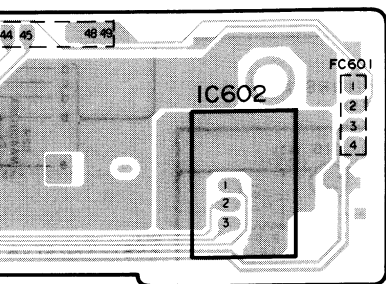
B HEADPHONES JACK P.C.B.



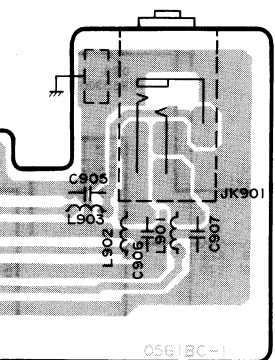
H MAIN P.C.B.



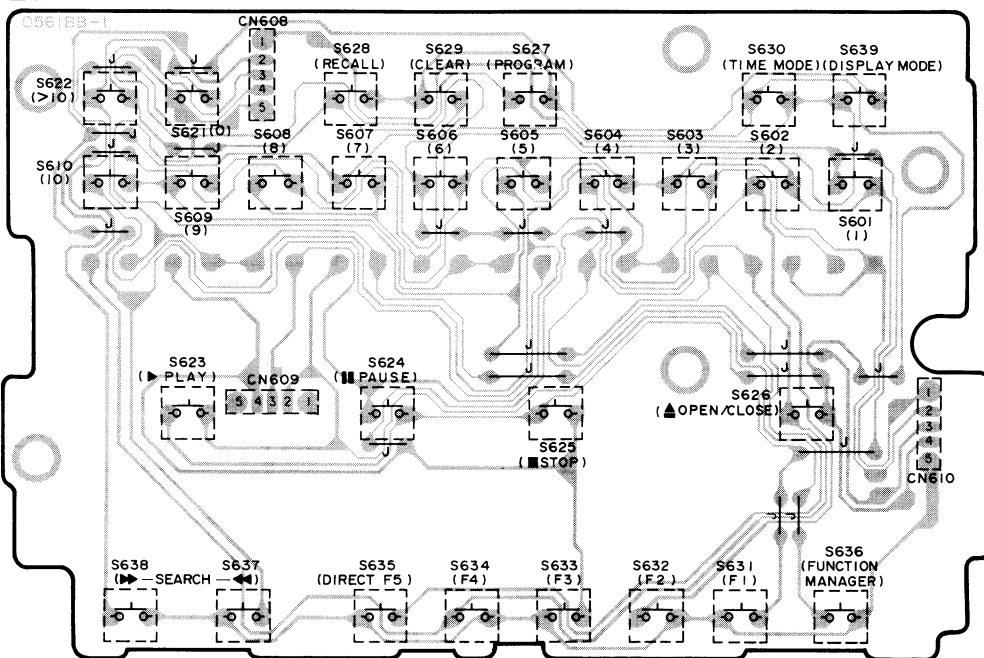
REMOTE SENSOR



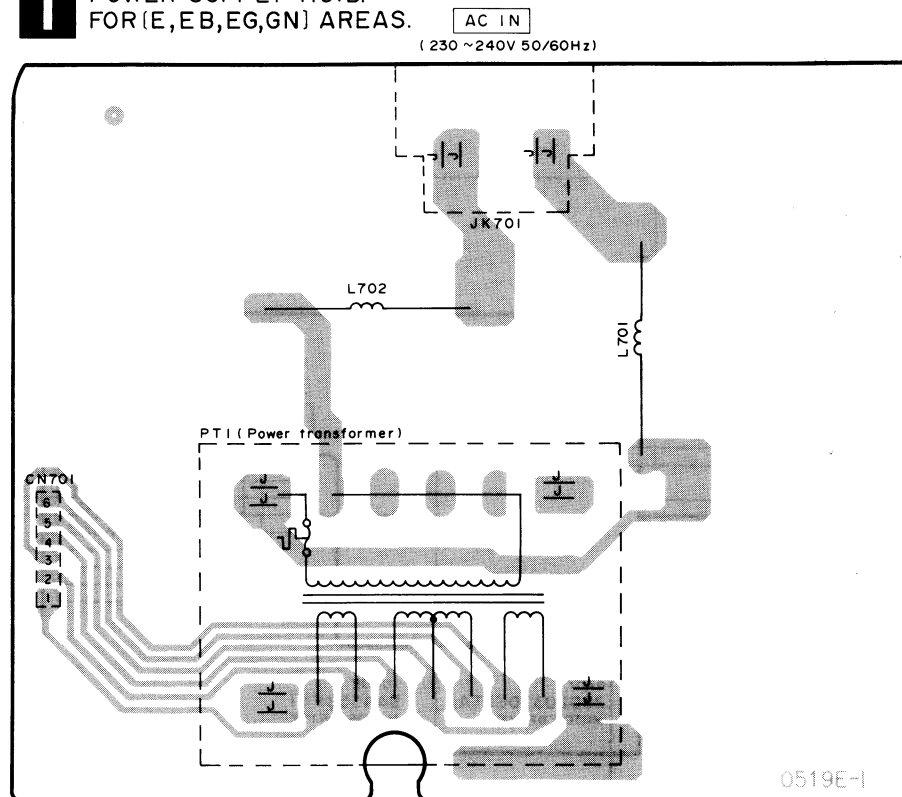
PHONES



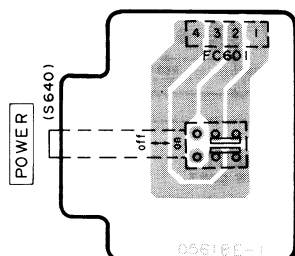
C OPERATION P.C.B.



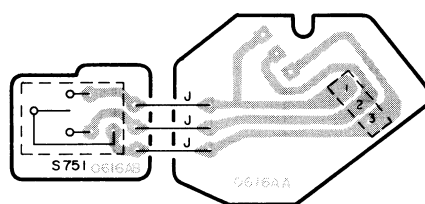
I POWER SUPPLY P.C.B. FOR (E, EB, EG, GN) AREAS.



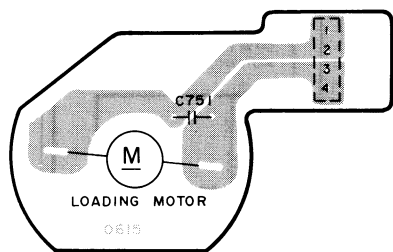
E POWER SWITCH P.C.B.



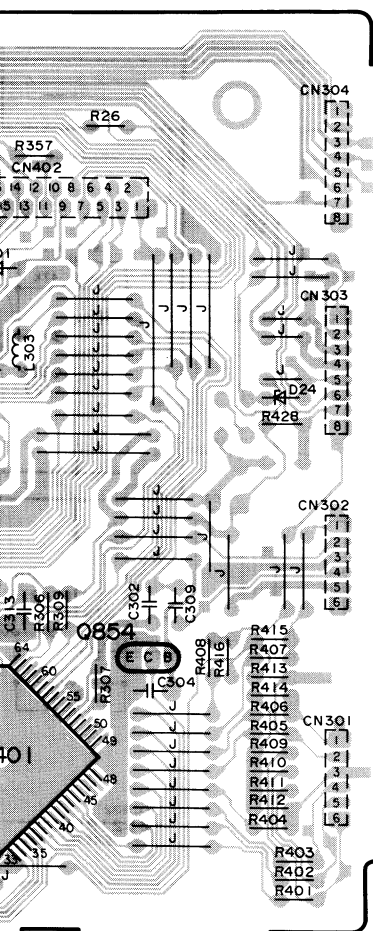
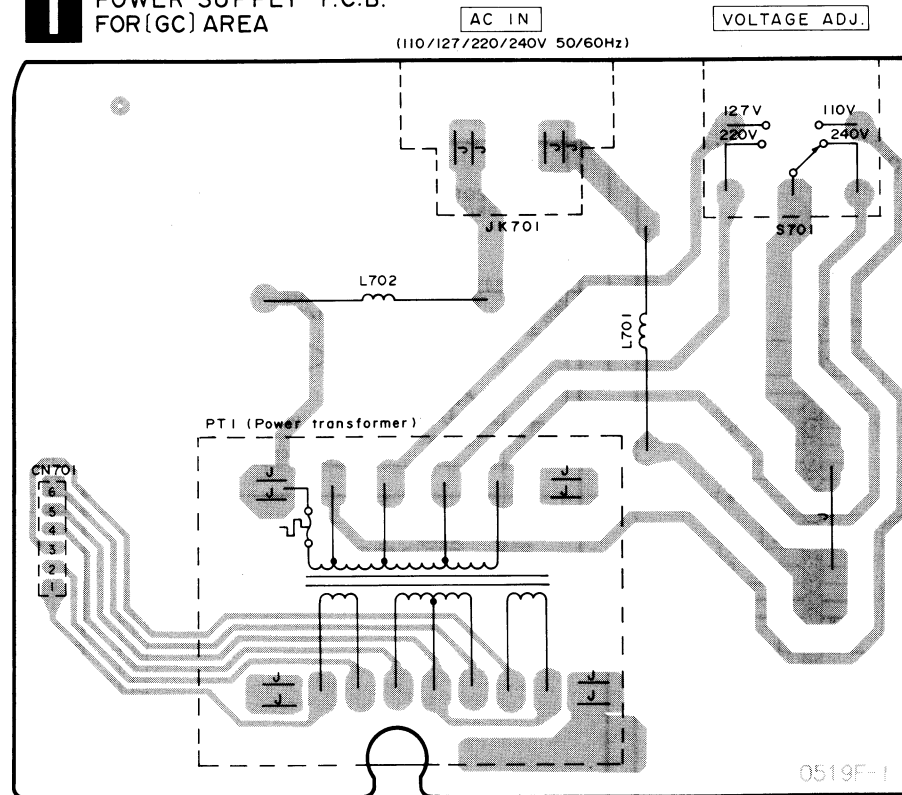
F SWITCH P.C.B.



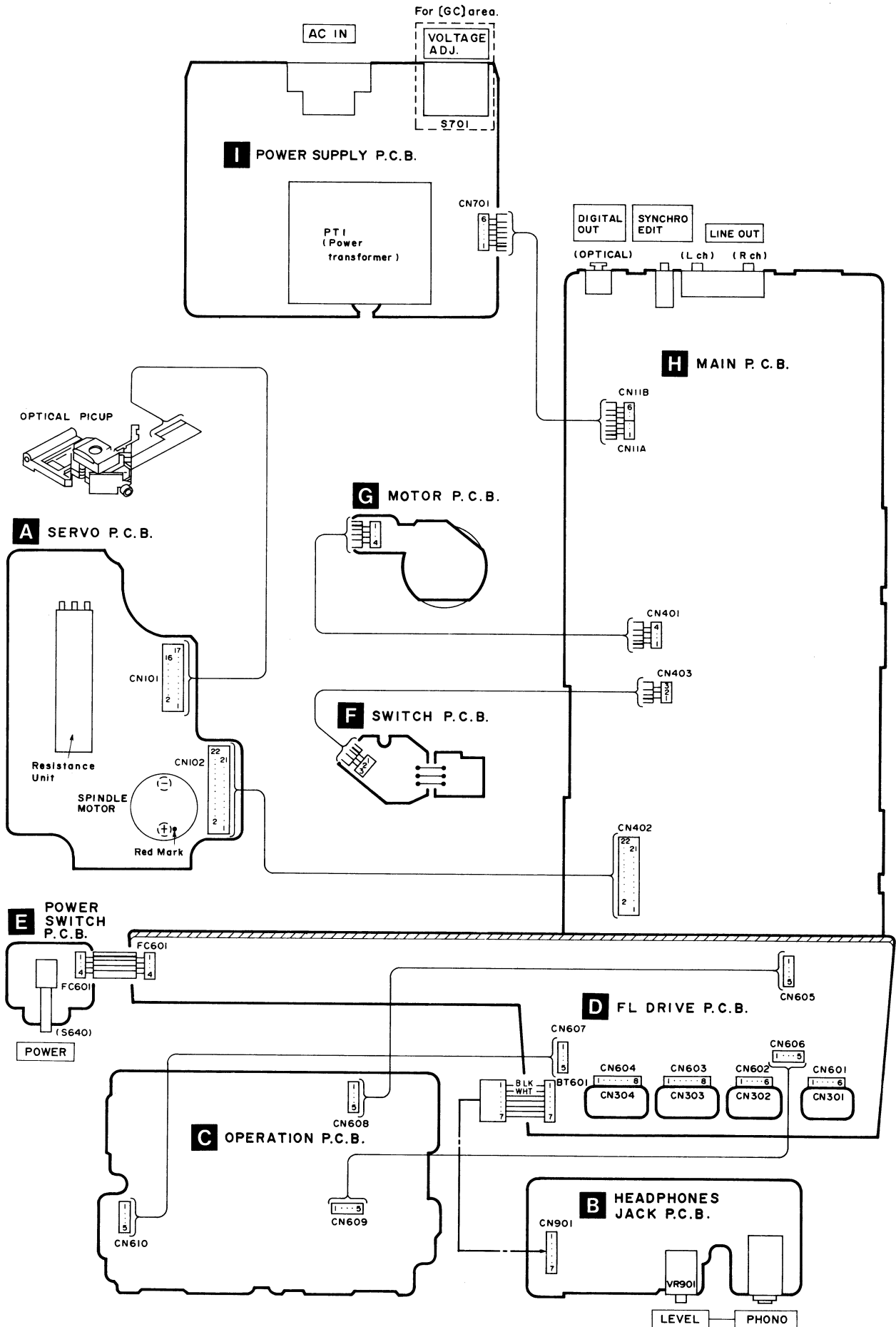
G MOTOR P.C.B.



I POWER SUPPLY P.C.B. FOR (GC) AREA



WIRING CONNECTION DIAGRAM



REPLACEMENT PARTS LIST

Notes : * Important safety notice:

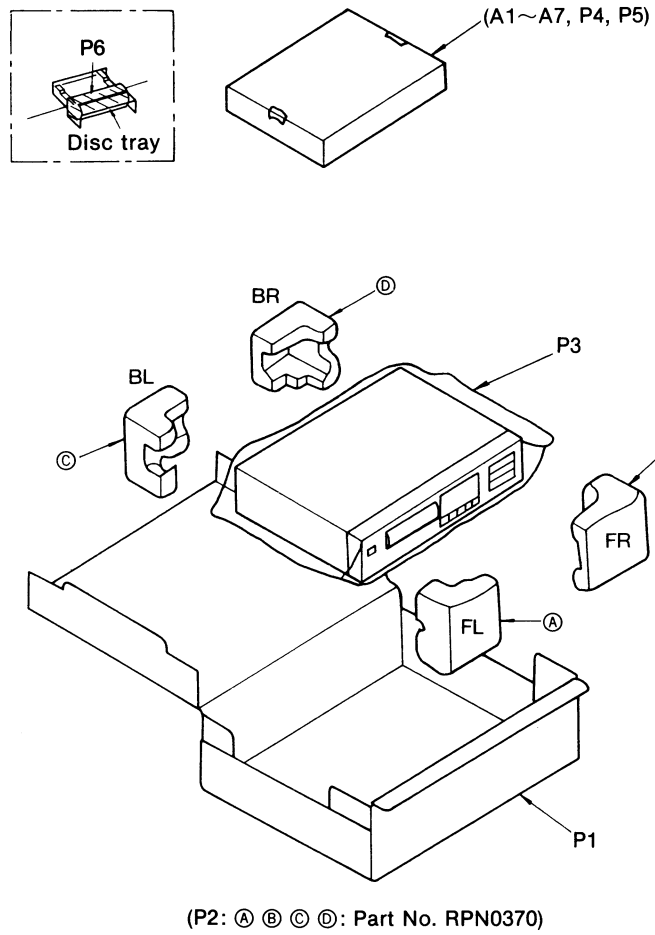
Components identified by \triangle mark have special characteristics important for safety. When replacing any of these components use only manufacturer's specified parts.

* The parenthesized indications in the Remarks columns specify the areas. (Refer to the cover page for area.)
Parts without these indications can be used for all areas.

Ref.No.	Part No.	Part Name & Description	Remarks	Ref.No.	Part No.	Part Name & Description	Remarks
		CABINET AND CHASSIS		110	RMRO381-2	LOADING BASE	
				111	RMRO384-3	SHAFT HOLDER (R)	
				112	RMRO386-3	DRIVE PLATE	
1	RKM0089-1K	CABINET		113	RMRO411-2	SHAFT HOLDER PLATE	
2	REZ0315	FLAT CABLE (6P)		114	RXA0093	GEAR BASE ASS'Y	
3	RGK0344A-1K	TRAY ORNAMENT		115	RXL0066	LEVER	
4	RFKHLPS700E	REAR PANEL ASS'Y	(E)	116	SHRD176-E	BRUSH HOLDER	
4	RFKHLPS700EB	REAR PANEL ASS'Y	(EB, GN)	117	SJED10	POTENSION METER HOLDER	
4	RGR0064E-C	REAR PANEL	(EG)	118	RMQ0048	SCREW	
4	RGR0064F-A	REAR PANEL	(GC)	119	RMRO463	ROLLER	
5	RKA0009-1	FOOT		120	SD0D28-2E	TURN TABLE ASS'Y	
6	RKQ0089	P. C. B. SUPPORT		120-1	XXE26D5	SCREW	
7	RKU0030-K	BOTTOM BOARD		121	SD0D29-2	RING	
8	RMA0470	SHIELD PLATE		122	SHWD33	WASHER	
9	RMK0118C	CHASSIS		123	SHWD34	WASHER	
10	RMCO063	HEADPHONES EARTH ANGLE		124	SISD22-5	TRAVERSE BASE	
11	RMNO056	FL HOLDER		125	SJGDRF310T-2	SPINDLE MOTOR	
12	SHRD169	LED HOLDER		126	SNSD31	SCREW	
13	SUSD144	EARTH ANGLE		127	SRQA010N04	T. T. SPRING	
14	RGU0030	POWER BUTTON		128	SUWD112-2	SHAFT HOLDER	
15	RGW0048	HEADPHONES VOLUME KNOB		129	SUXD123-1	GUIDE SHAFT	
16	RMRO375-K	HEADPHONES HOLDER		130	SOAD70A	OPTICAL PICKUP	\triangle
17	RFKGLPS700E	FRONT PANEL ASS'Y		131	SHGD148	STOPPER RUBBER	
17-1	RKWO135-R2	METER ORNAMENT PLATE		132	RFKNLPC363P	YOKE (A)	
18	RGU0511B-Y	OPERATION BUTTON		133	SORD46-E	COIL ASS'Y	
19	SHRD133	INDICATOR		134	SOYD22-1	YOKE (B)	
		SCREWS		135	XTB3+10G	SCREW	
				136	SNSD39	SCREW	
N1	SNE2129-1	SCREW		137	RXQ0157	SUB BASE ASS'Y	
N2	XTBS3+8JFZ1	SCREW		138	SHGD153-1	FLOATING RUBBER	
N3	XTB3+10G	SCREW		139	SNSD33	SCREW	
N4	XTB3+20JFZ	SCREW		140	SUSD136-3	FLOATING SPRING A	
N5	XTB3+8F	SCREW		141	SUSD137-1	FLOATING SPRING B	
N6	XTB3+8JFZ	SCREW		142	SUSD145-1	FLOATING SPRING C	
		TRAVERSE DECK		143	RMRO385-1	CLAMP PLATE	
				144	SIRD51-1	CLAMPER	
101	RDG0154	PULLEY GEAR		145	SOMD4	MAGNET	
102	RDG0155	REDUCTION GEAR		146	SOYD2	YOKE	
103	RDK0015-1	DRIVE CAM		147	RFKNLPS700E	DISC TRAY ASS'Y	
104	REMO026	MOTOR ASS'Y		149	RME0074-1	TRAY SPRING	
105	SJT30444-H	CONNECTOR (4P) (CN401)		150	RMG0199	TRAY CUSHION RUBBER	
106	SJT30344-H	CONNECTOR (3P) (CN403)		151	RMG0200	CUSHION RUBBER	
107	RHD26002	SCREW		152	RMRO383-1	SHAFT HOLDER (L)	
108	RHG3032ZA	MOTOR CUSHION RUBBER		153	RMRO412-3	SLIDE PLATE	
109	RMG0121	BELT		154	RMS0265-1	TRAY GUIDE SHAFT (L)	
				155	RMS0309-1	TRAY GUIDE SHAFT (R)	
				156	XTWS3+10Q	SCREW	

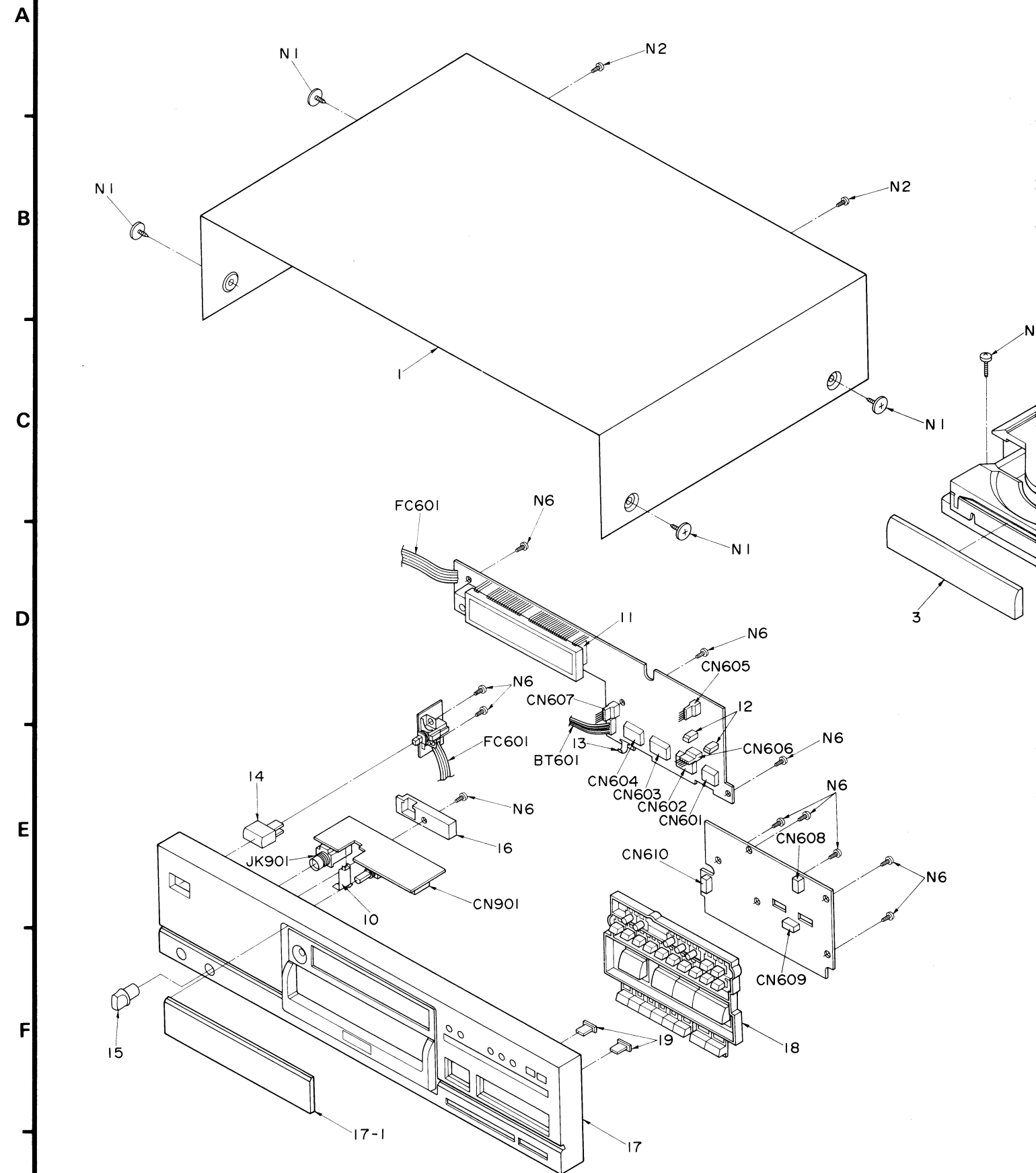
Ref. No.	Part No.	Part Name & Description	Remarks	Ref. No.	Part No.	Part Name & Description	Remarks
157	XTB3+10JFZ	SCREW					
158	XYN3+F8	SCREW				ACCESSORIES	
159	REZ0328	FPC (22P)					
160	REZ0338-1	FLAT CABLE (3P)		A1	RFKSLPS700E	INST. MANUAL ASS'Y	(E)
161	REZ0341	FLAT CABLE (4P)		A1	RQT1085-B	INSTRUCTION MANUAL	(EB, GN)
162	XTB3+12JFZ	SCREW		A1	RQT1086-D	INSTRUCTION MANUAL	(EG)
		PACKING MATERIAL		A1	RQT1083-G	INSTRUCTION MANUAL	(GC)
P1	RPG0892	PACKING CASE		A2	SJA193	AC POWER SUPPLY CORD	(EB)△
P2	RPN0370	PAD		A2	RJA0004	AC POWER SUPPLY CORD	(GC)△
P3	XZB60X60A01	PROTECTION BAG (UNIT)		A2	SJA173	AC POWER SUPPLY CORD	(GN)△
P4	SPSD152	ACCESSORIES BOX		A2	SFDAC05E03	AC POWER SUPPLY CORD	(E, EG)△
P5	XZB26X17C03	PROTECTION BAG (CORD)		A3	SJP2249-3	STEREO CONNECTION CABLE	
P6	RPH0086	PROTECTION SHEET		A4	SQX7186	WARRANTY CARD	(GN)
				A4	RQAD013	WARRANTY CARD	(E, EB, EG)
				A5	RQCB0169	SERVICENTER LIST	
				A6	RAK-SL304W	REMOTE CONTROL TRANSMITTER	
				A6-1	RKK0020-K	BATTERY COVER	
				A7	SJP9215	AC PLUG ADAPTOR	(GC)△

PACKING



EXPLODED VIEWS

Cabinet and chassis parts

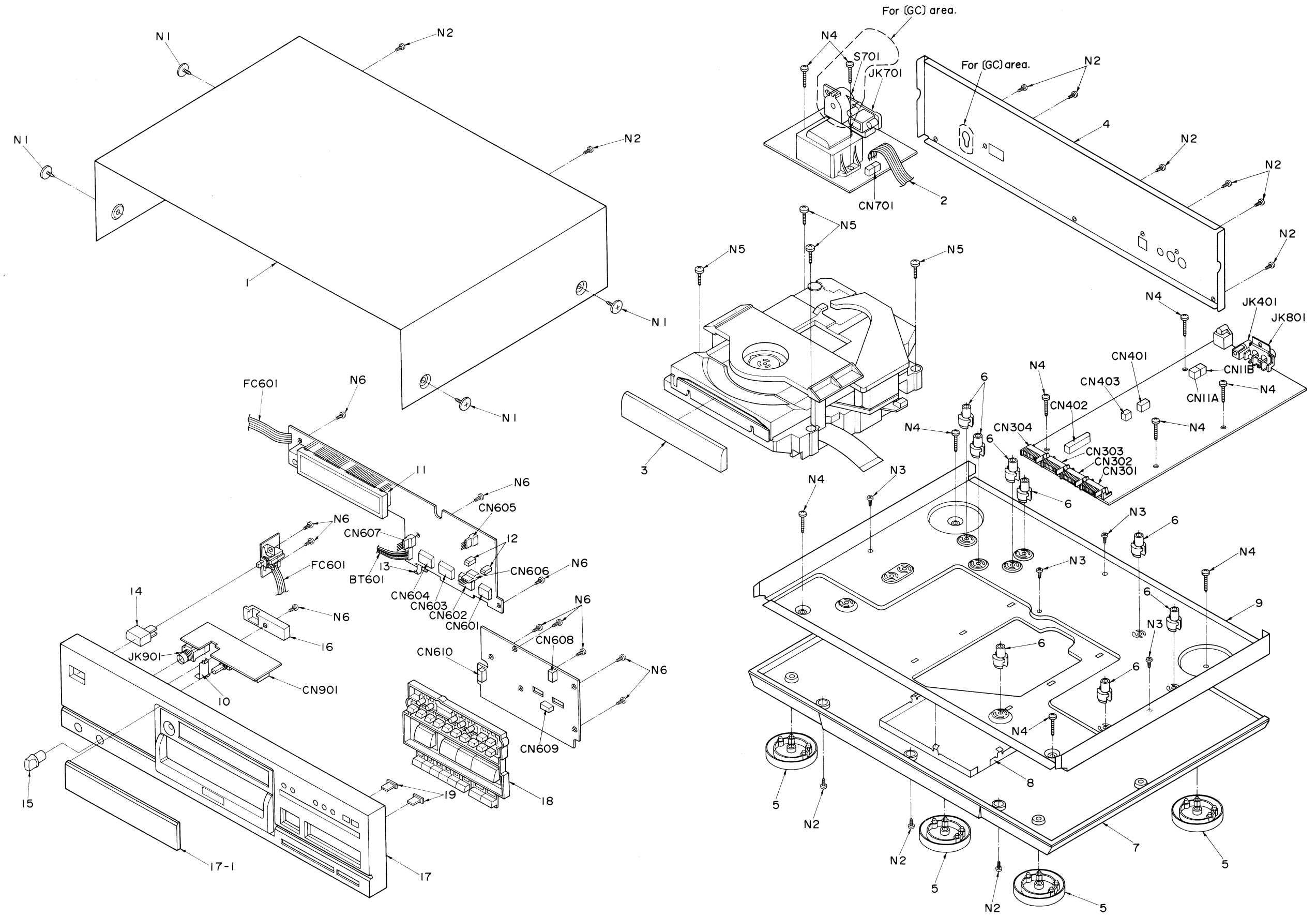


EXPLODED VIEWS

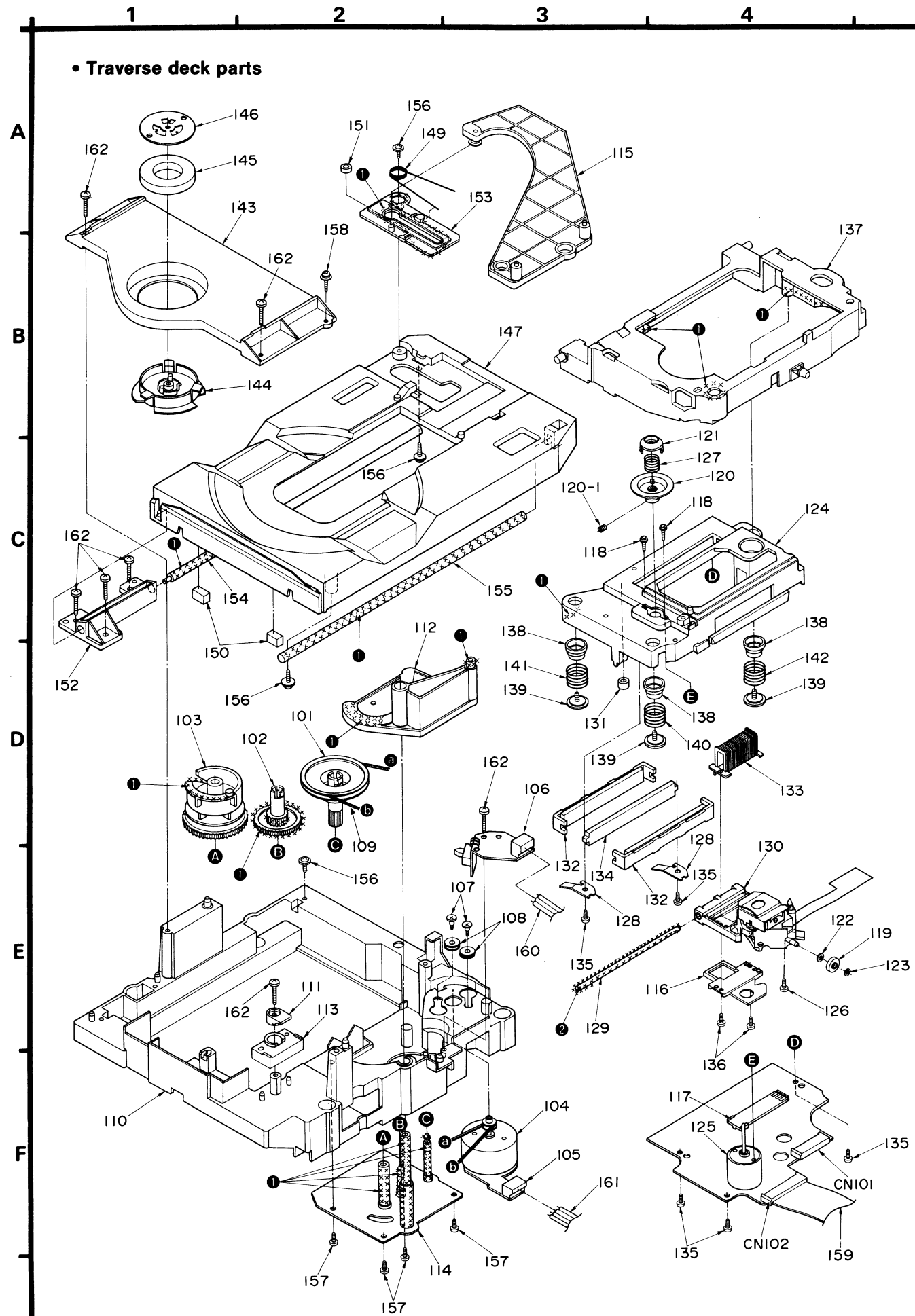
• Cabinet and chassis parts

tion	Remarks
(E)	
(EB, GN)	
(EG)	
(GC)	
(EB) Δ	
(GC) Δ	
(GN) Δ	
(E, EG) Δ	
LE	
(GN)	
(E, EB, EG)	
ITTER	
(GC) Δ	

A
B
C
D
E
F



• Traverse deck parts



■ REPLACEMENT PARTS LIST

Notes : * Important safety notice:
 Components identified by Δ mark have special characteristics important for safety. When replacing any of these components use only manufacturer's specified parts.
 * The parenthesized indications in the Remarks columns specify the areas. (Refer to the cover page for area.)
 Parts without these indications can be used for all areas.

Ref. No.	Part No.	Part Name & Description	Remarks	Ref. No.	Part No.	Part Name & Description	Remarks
		INTEGRATED CIRCUIT(S)		Q871	DTA124ESTP	TRANSISTOR	
				Q873, 874	2SC3311A-Q	TRANSISTOR	
				Q901, 902	2SC3311A-Q	TRANSISTOR	
IC11	LM2940T5	IC, REGULATOR				DIODE(S)	
IC101	AN8800SCE2	IC, SERVO AMP					
IC102	MN6650	IC, DIGITAL SERVO PROCESSOR					
IC103	AN8377N	IC, COIL DRIVE		D11-14	1SR35200TB	DIODE	Δ
IC104	TC7SU04FT85R	IC, BUFFER AMP (OSC)		D16-19	1SR35200TB	DIODE	Δ
IC301	MN6626	IC, DIGITAL SIGNAL PROCESSOR		D20, 21	MA4082MTA	DIODE	
IC303	TOTX174-A	IC, TRANSMISSION MODULE		D22	MA4330MTA	DIODE	
IC401	MN1554PKK6	IC, SYSTEM CONTROL		D23	MTZJ6R2BTA	DIODE	
IC402	SVIBA4558F	IC, MOTOR DRIVE		D24-26	MA4091-M	DIODE	
IC403	M51953BFPTA	IC, RESET SIGNAL GENERATOR		D27	MTZJ16CTA	DIODE	
IC601	MND1616PKP	IC, SYSTEM CONTROL&FL DRIVE		D28	MTZJ12CTA	DIODE	
IC602	RCD0003	IC, REMOTE CONTROL RECEIVER		D29	1SR35200TB	DIODE	
IC603	X24LC01P	IC, E. E. PROM		D301	1SS254TA	DIODE	
IC801	MN6474	IC, DIGITAL FILTER&D/A CONV.		D601-605	1SS254TA	DIODE	
IC802-804	M5219FP	IC, BUFFER AMP		D608, 609	1SS254TA	DIODE	
IC805, 806	SVIM5238FP	IC, CLASS AA BUFFER AMP		D610	SVGDPG7851Y	LED	
IC901	M5218L	IC, HEADPHONES AMP		D611	SVGDAY7851	LED	
		TRANSISTOR(S)		D801-804	1SS254TA	DIODE	
				D851-855	1SS254TA	DIODE	
				D871-874	1SS254TA	DIODE	
Q11	2SC3311A-Q	TRANSISTOR				VARIABLE RESISTOR(S)	
Q12	2SB1238QSTV6	TRANSISTOR					
Q13	2SC3311A-Q	TRANSISTOR					
Q14	2SA1309A-R	TRANSISTOR		VR101	EVND3AA00B14	V. R. BEST EYE ADJ.	
Q15	2SC3311A-Q	TRANSISTOR		VR901	EVJCB0F02A15	V. R. HEADPHONES VOLUME	
Q16	2SA1309A-R	TRANSISTOR				COIL(S)	
Q17	2SD2037DEFTA	TRANSISTOR					
Q18	2SB1357DEFTA	TRANSISTOR		L101	RLB0003	COIL	
Q19, 20	2SD2037DEFTA	TRANSISTOR		L102	RELJHC6R8KTD	COIL	
Q101	2SA1547QTV2	TRANSISTOR		L303	RLQZP5R6KT-Y	COIL	
Q351	DTA124ESTP	TRANSISTOR		L401, 402	RLQZP3R3KT-Y	COIL	
Q352	2SD1862QRTV6	TRANSISTOR		L701, 702	SLQX400-D	COIL	Δ
Q353	2SB1240-P	TRANSISTOR		L801, 802	RLQZP3R3KT-Y	COIL	
Q401	2SD2037DEFTA	TRANSISTOR		L901-903	RLQZP3R3KT-Y	COIL	
Q402	2SB1357DEFTA	TRANSISTOR				TRANSFORMER(S)	
Q407	DTC124EST	TRANSISTOR					
Q601, 602	DTC114ESTP	TRANSISTOR					
Q603	DTC124EST	TRANSISTOR					
Q801, 802	2SC3311A-Q	TRANSISTOR		PT1	RTP1K4B012	POWER TRANSFORMER	(E, EB, EG, GN) Δ
Q803, 804	2SD1450RTA	TRANSISTOR		PT1	RTP1K4E020	POWER TRANSFORMER	(GC) Δ
Q851	DTA114ESTP	TRANSISTOR				COMPONENT COMBINATION(S)	
Q852	DTA124ESTP	TRANSISTOR					
Q853, 854	DTC124EST	TRANSISTOR					
Q855	DTA124ESTP	TRANSISTOR		Z301-304	EXCELDR35V	COMBINATION PART	

Ref. No.	Part No.	Part Name & Description	Remarks
Z601	EXCELSA35		
Z803	EXCELDR35V		
X101	RSXZ16M9M01T		
X301	SVQ49U338S		
FL601	RSL0068-F		
S601	EVQ21405R		
S602	EVQ21405R		
S603	EVQ21405R		
S604	EVQ21405R		
S605	EVQ21405R		
S606	EVQ21405R		
S607	EVQ21405R		
S608	EVQ21405R		
S609	EVQ21405R		
S610	EVQ21405R		
S621	EVQ21405R		
S622	EVQ21405R		
S623	EVQ21405R		
S624	EVQ21405R		
S625	EVQ21405R		
S626	EVQ21405R		
S627	EVQ21405R		
S628	EVQ21405R		
S629	EVQ21405R		
S630	EVQ21405R		
S631	EVQ21405R		
S632	EVQ21405R		
S633	EVQ21405R		
S634	EVQ21405R		
S635	EVQ21405R		
S636	EVQ21405R		
S637	EVQ21405R		
S638	EVQ21405R		
S639	EVQ21405R		
S640	SSH1230		
S701	SSR187-1		
S751	RSH2B001		
CN101	SJSD1727-1		
CN102	SJSD2227-1		
CN301, 302	RJU003K006M1		

REPLACEMENT PARTS LIST

Notes : * Important safety notice:
 Components identified by Δ mark have special characteristics important for safety. When replacing any of these components use only manufacturer's specified parts.
 * The parenthesized indications in the Remarks columns specify the areas. (Refer to the cover page for area.)
 Parts without these indications can be used for all areas.

Ref. No.	Part No.	Part Name & Description	Remarks	Ref. No.	Part No.	Part Name & Description	Remarks
		INTEGRATED CIRCUIT (S)		Q871	DTA124ESTP	TRANSISTOR	
IC11	LM2940T5	IC, REGULATOR		Q873, 874	2SC3311A-Q	TRANSISTOR	
IC101	AN8800SCE2	IC, SERVO AMP		Q901, 902	2SC3311A-Q	TRANSISTOR	
IC102	MN6650	IC, DIGITAL SERVO PROCESSOR				DIODE (S)	
IC103	AN8377N	IC, COIL DRIVE		D11-14	1SR35200TB	DIODE	Δ
IC104	TC7SU04FT85R	IC, BUFFER AMP (OSC)		D16-19	1SR35200TB	DIODE	Δ
IC301	MN6626	IC, DIGITAL SIGNAL PROCESSOR		D20, 21	MA4082MTA	DIODE	
IC303	TOTX174-A	IC, TRANSMISSION MODULE		D22	MA4330MTA	DIODE	
IC401	MN1554PKK6	IC, SYSTEM CONTROL		D23	MT2J6R2BTA	DIODE	
IC402	SV1BA4558F	IC, MOTOR DRIVE		D24-26	MA4091-M	DIODE	
IC403	M51953BFPTA	IC, RESET SIGNAL GENERATOR		D27	MT2J16CTA	DIODE	
IC601	MND1616PKP	IC, SYSTEM CONTROL&FL DRIVE		D28	MT2J12CTA	DIODE	
IC602	RC00003	IC, REMOTE CONTROL RECEIVER		D29	1SR35200TB	DIODE	
IC603	X24LC01P	IC, E. E. PROM		D301	1SS254TA	DIODE	
IC801	MN6474	IC, DIGITAL FILTER&D/A CONV.		D601-605	1SS254TA	DIODE	
IC802-804	M5219FP	IC, BUFFER AMP		D608, 609	1SS254TA	DIODE	
IC805, 806	SV1M5238FP	IC, CLASS AA BUFFER AMP		D610	SVGDPG7851Y	LED	
IC901	M5218L	IC, HEADPHONES AMP		D611	SVGDAY7851	LED	
		TRANSISTOR(S)		D801-804	1SS254TA	DIODE	
Q11	2SC3311A-Q	TRANSISTOR		D851-855	1SS254TA	DIODE	
Q12	2SB1238QSTV6	TRANSISTOR		D871-874	1SS254TA	DIODE	
Q13	2SC3311A-Q	TRANSISTOR				VARIABLE RESISTOR (S)	
Q14	2SA1309A-R	TRANSISTOR		VR101	EVND3AA00B14	V. R, BEST EYE ADJ.	
Q15	2SC3311A-Q	TRANSISTOR		VR901	EVJCB0F02A15	V. R, HEADPHONES VOLUME	
Q16	2SA1309A-R	TRANSISTOR				COIL (S)	
Q17	2SD2037DEFTA	TRANSISTOR		L101	RLB0003	COIL	
Q18	2SB1357DEFTA	TRANSISTOR		L102	RELJHC6R8KTD	COIL	
Q19, 20	2SD2037DEFTA	TRANSISTOR		L303	RLQZP5R6KT-Y	COIL	
Q101	2SA1547QTV2	TRANSISTOR		L401, 402	RLQZP3R3KT-Y	COIL	
Q351	DTA124ESTP	TRANSISTOR		L701, 702	SLQX400-D	COIL	Δ
Q352	2SD1862QRTV6	TRANSISTOR		L801, 802	RLQZP3R3KT-Y	COIL	
Q353	2SB1240-P	TRANSISTOR		L901-903	RLQZP3R3KT-Y	COIL	
Q401	2SD2037DEFTA	TRANSISTOR				TRANSFORMER (S)	
Q402	2SB1357DEFTA	TRANSISTOR		PT1	RTP1K4B012	POWER TRANSFORMER	(E, EB, EG, GN) Δ
Q407	DTC124EST	TRANSISTOR		PT1	RTP1K4E020	POWER TRANSFORMER	(GC) Δ
Q601, 602	DTC114ESTP	TRANSISTOR				COMPONENT COMBINATION (S)	
Q603	DTC124EST	TRANSISTOR		Z301-304	EXCELDR35V	COMBINATION PART	
Q801, 802	2SC3311A-Q	TRANSISTOR					
Q803, 804	2SD1450RTA	TRANSISTOR					
Q851	DTA114ESTP	TRANSISTOR					
Q852	DTA124ESTP	TRANSISTOR					
Q853, 854	DTC124EST	TRANSISTOR					
Q855	DTA124ESTP	TRANSISTOR					

Ref. No.	Part No.	Part Name & Description	Remarks	Ref. No.	Part No.	Part Name & Description	Remarks
Z601	EXCELSA35	COMBINATION PART		CN303, 304	RJU003K008M1	SOCKET (8P)	
Z803	EXCELDR35V	COMBINATION PART		CN401	RJS1A1704	SOCKET (4P)	
		OSCILLATOR (S)		CN402	SJSD2221	CONNECTOR (22P)	
X101	RSXZ16M9M01T	OSCILLATOR (16.9344MHz)		CN403	RJS1A1703	CONNECTOR (3P)	
X301	SVQ49U338S	OSCILLATOR (33.8688MHz)		CN601, 602	RJT003K006M1	CONNECTOR (6P)	
		DISPLAY TUBE		CN603, 604	RJT003K008M1	CONNECTOR (8P)	
FL601	RSL0068-F	DISPLAY TUBE		CN605-607	SJT30549BB1	CONNECTOR (5P)	
		SWITCH (ES)		CN608-610	SJS50581BB	SOCKET (5P)	
S601	EVQ21405R	SW, 1		CN701	SJT30643-V	CONNECTOR (6P)	
S602	EVQ21405R	SW, 2		CN901	RJP7G17ZA	CONNECTOR (7P)	
S603	EVQ21405R	SW, 3		CN11A, 11B	RJS1A1703	CONNECTOR (3P)	
S604	EVQ21405R	SW, 4				FLAT CABLE (S)	
S605	EVQ21405R	SW, 5		FC601	REZ0331	FLAT CABLE (4P)	
S606	EVQ21405R	SW, 6		BT601	REX0144	CONNECTOR ASS'Y (7P)	
S607	EVQ21405R	SW, 7				JACK (S)	
S608	EVQ21405R	SW, 8		JK401	RJJ33T01	SYNCHRO EDIT	
S609	EVQ21405R	SW, 9		JK701	SJS9236	AC INLET	(E, EB, EG, GC) Δ
S610	EVQ21405R	SW, 10		JK701	SJSD16	AC INLET	(GN) Δ
S621	EVQ21405R	SW, 0		JK801	RJH3201A	LINE OUT	
S622	EVQ21405R	SW, >10		JK901	QJA04552C-A	HEADPHONES	
S623	EVQ21405R	SW, PLAY				MAGNET RESISTOR ELEMENTS	
S624	EVQ21405R	SW, PAUSE		RA1	EWS7M0A00Q53	RESISTANCE UNIT	
S625	EVQ21405R	SW, STOP					
S626	EVQ21405R	SW, OPEN/CLOSE					
S627	EVQ21405R	SW, PROGRAM					
S628	EVQ21405R	SW, RECALL					
S629	EVQ21405R	SW, CLEAR					
S630	EVQ21405R	SW, TIME MODE					
S631	EVQ21405R	SW, F1					
S632	EVQ21405R	SW, F2					
S633	EVQ21405R	SW, F3					
S634	EVQ21405R	SW, F4					
S635	EVQ21405R	SW, DIRECT, F5					
S636	EVQ21405R	SW, FUNCTION MANAGER					
S637	EVQ21405R	SW, R. SEARCH					
S638	EVQ21405R	SW, F. SEARCH					
S639	EVQ21405R	SW, DISPLAY MODE					
S640	SSH1230	SW, POWER	Δ				
S701	SSR187-1	SW, VOLTAGE ADJ.	(GC) Δ				
S751	RSH2B001	SW, OPEN/CLOSE DET.					
		CONNECTOR (S) & SOCKET (S)					
CN101	SJSD1727-1	CONNECTOR (17P)					
CN102	SJSD2227-1	CONNECTOR (22P)					
CN301, 302	RJU003K006M1	SOCKET (6P)					

RESISTORS & CAPACITORS

Notes : * Capacity value are in microfarads (μF) unless specified otherwise, P=Pico-farads (pF) F=Farads (F)
 * Resistance values are in ohms, unless specified otherwise, 1K=1,000(OHM) , 1M=1,000k(OHM)

Ref. No.	Part No.	Values & Remarks	Ref. No.	Part No.	Values & Remarks	Ref. No.	Part No.	Values & Remarks
		RESISTORS	R352	ERDS2TJ334	1/4W 330K	R887	ERDS2TJ471	1/4W 470
			R353	ERDS2TJ123	1/4W 12K	R901, 902	ERDS2TJ153	1/4W 15K
			R354	ERDS2TJ334	1/4W 330K	R903-906	ERDS2TJ183T	1/4W 18K
R11, 12	ERDS2EJ121	1/4W 120	R355, 356	ERDS2TJ333	1/4W 33K	R907, 908	ERDS2TJ224T	1/4W 220K
R13, 14	ERDS2TJ471	1/4W 470	R357	ERDS2TJ8R2T	1/4W 8.2	R909, 910	ERDS2TJ473	1/4W 47K
R15	ERDS2TJ103	1/4W 10K	R358	ERDS2TJ101	1/4W 100	R911, 912	ERDS2TJ101	1/4W 100
R16, 17	ERDS2TJ102	1/4W 1K	R359	ERDS2TJ473	1/4W 47K	R915, 916	ERDS2TJ472	1/4W 4.7K
R18	ERDS2TJ271	1/4W 270	R401-408	ERDS2TJ221	1/4W 220			
R19	ERDS2TJ471	1/4W 470	R409-416	ERDS2TJ472	1/4W 4.7K			JUMPER(S)
R20-23	ERDS2TJ1R0	1/4W 1.0	R419, 420	ERDS2TJ102	1/4W 1K			
R24	ERDS2TJ271	1/4W 270	R421, 422	ERDS2TJ913	1/4W 91K	RJ101	ERJ6GEYOR00V	CHIP JUMPER
R25	ERDS2EJ820	1/4W 82	R423, 424	ERDS2TJ104	1/4W 100K	TJ101, 102	ERD25VOR00T	CHIP JUMPER
R26	ERDS2TJ6R8	1/4W 6.8	R425	ERDS2TJ101	1/4W 100			
R27, 28	ERDS2TJ1R0	1/4W 1.0	R427	ERDS2TJ472	1/4W 4.7K			CAPACITORS
R29	ERDS2TJ151	1/4W 150	R428	ERDS2TJ273	1/4W 27K			
R30	ERDS2TJ471	1/4W 470	R429, 430	ERDS2TJ102	1/4W 1K	C11-18	ECBT1C103NS5	16V 0.01U
R31, 32	ERQ16NKWR15E	1W 0.15	R431	ERDS2TJ472	1/4W 4.7K	C21, 22	ECA1EPXS102B	25V 1000U
R101	ERJ6GEYJ120V	1/10W 12	R432	ERDS2TJ100	1/4W 10	C23, 24	ECEA1EU471	25V 470U
R102	ERJ6GEYJ122V	1/10W 1.2K	R601-609	ERDS2TJ472	1/4W 4.7K	C25, 26	ECEA1EU100B	25V 10U
R103	ERJ6GEYJ823	1/10W 82K	R610, 611	ERDS2EJ121	1/4W 120	C28, 29	ECEA1HU101	50V 100U
R104	ERJ6GEYJ471V	1/10W 470	R801-804	ERDAS3G103T	1/4W 10K	C30	ECEA1AU221	10V 220U
R105	ERJ6GEYJ104V	1/10W 100K	R805-808	ERDAS3G273T	1/4W 27K	C31-33	ECA1APXS101B	10V 100U
R106	ERJ6GEYJ223V	1/10W 22K	R809-812	ERDAS3G473	1/4W 47K	C34	ECA0JKF101B	6.3V 100U
R107	ERJ6GEYJ153V	1/10W 15K	R813, 814	ERDAS3G123T	1/4W 12K	C35	ECEA1AU102B	10V 1000U
R108	ERJ6GEYJ223V	1/10W 22K	R815, 816	ERDAS3G153T	1/4W 15K	C36	ECEA1AU101	10V 100U
R109	ERJ6GEYJ122V	1/10W 1.2K	R817, 818	ERDAS3G102T	1/4W 1K	C41, 42	ECFR1E103KB	25V 0.01U
R110, 111	ERJ6GEYJ102V	1/10W 1K	R837, 838	ERDAS3G682T	1/4W 6.8K	C43	ECFR1E1042F5	25V 0.1U
R112	ERJ6GEYJ333V	1/10W 33K	R839, 840	ERDAS3G681	1/4W 680	C44	ECA1EM102B	25V 1000U
R113	ERJ6GEYJ103V	1/10W 10K	R841, 842	ERDAS3J105T	1/4W 1M	C101	ECEAOJKA220	6.3V 22U
R114	ERJ6GEYJ473V	1/10W 47K	R843, 844	ERDAS3G103T	1/4W 10K	C102	ECEA1HKS010	50V 1U
R115	ERJ6GEYJ471V	1/10W 470	R845-848	ERDAS3G153T	1/4W 15K	C103	ECA0JKF1011	6.3V 100U
R116	ERJ6GEYJ220	1/10W 22	R849, 850	ERDAS3G101T	1/4W 100	C105	ECEAOJKS470	6.3V 47U
R117	ERJ6GEYJ103V	1/10W 10K	R851, 852	ERDAS3G331T	1/4W 330	C110	ECEA1CSN4R71	16V 4.7U
R118-120	ERJ6GEYJ102V	1/10W 1K	R853, 854	ERDAS3J333T	1/4W 33K	C111	ECUV1C393KBN	16V 0.039U
R121	ERJ6GEYJ562V	1/10W 5.6K	R855, 856	ERDAS3G103T	1/4W 10K	C112	ECUV1H392KBN	50V 3900P
R301-306	ERDS2TJ472	1/4W 4.7K	R857-860	ERDAS3J471T	1/4W 470	C113, 114	ECUV1C224KBM	16V 0.22U
R307	ERDS2TJ104	1/4W 100K	R861, 862	ERDAS3J124T	1/4W 120K	C115	ECUV1H331KBN	50V 330P
R308	ERDS2TJ561	1/4W 560	R863, 864	ERDAS3G331T	1/4W 330	C116, 117	ECEAOJKA470I	6.3V 47U
R309	ERDS2TJ472	1/4W 4.7K	R865-868	ERDS2TJ102	1/4W 1K	C118, 119	ECUV1C1042FN	16V 0.1U
R310	ERDS2TJ182	1/4W 1.8K	R871	ERDS2TJ102	1/4W 1K	C120	ECUV1H122KBN	50V 1200P
R311	ERDS2TJ272T	1/4W 2.7K	R872	ERDS2TJ223	1/4W 22K	C121	ECUV1C1052FM	16V 1U
R312	ERDS2TJ561	1/4W 560	R873	ERDS2TJ102	1/4W 1K	C122	ECUV1E103KBN	25V 0.01U
R314	ERDS2TJ822	1/4W 8.2K	R875, 876	ERDS2TJ563	1/4W 56K	C123	ECUV1C1042FN	16V 0.1U
R315	ERDS2TJ823T	1/4W 82K	R877, 878	ERDS2TJ271	1/4W 270	C124	ECA0JKF1011	6.3V 100U
R316	ERDS2TJ105T	1/4W 1M	R881, 882	ERDS2TJ102	1/4W 1K	C125	ECEA1CKS470I	16V 47U
R317	ERDS2TJ473	1/4W 47K	R883	ERDS2TJ472	1/4W 4.7K	C126	ECEAOJKS470	6.3V 47U
R319	ERDS2TJ221	1/4W 220	R884	ERDS2TJ333	1/4W 33K	C127, 128	ECUV1E153KBN	25V 0.015U
R337	ERDS2TJ472	1/4W 4.7K	R885	ERDS2TJ474	1/4W 470K	C129	ECEA1HSN0101	50V 1U
R351	ERDS2TJ333	1/4W 33K	R886	ERDS2TJ682T	1/4W 6.8K	C130	ECEA1CSN1001	16V 10U

Ref. No.	Part No.	Values & Remarks	Ref. No.	Part No.	Values & Remarks			
C131	ECEA1HKS010	50V 1U	C823, 824	ECEAOJU331B	6.3V 330U			
C132	ECUV1H681KBN	50V 680P	C825, 826	ECFR1E104ZF5	25V 0.1U			
C133	ECEAOJKS470	6.3V 47U	C829, 830	ECA1APXS101B	10V 100U			
C134	ECUV1H222KBN	50V 2200P	C831-834	ECEA1CBZ330B	16V 33U			
C135	ECEA1EKS330I	25V 33U	C835, 836	ECHR1H102GZ3	50V 1000P			
C136	ECUV1C104ZFN	16V 0.1U	C851	ECEA1CU101	16V 100U			
C138	ECUV1C224KBM	16V 0.22U	C852	ECEA1CN100SB	16V 10U			
C139	ECUV1E103KBN	25V 0.01U	C853	ECBT1C103NS5	16V 0.01U			
C140, 141	ECUV1H270KCN	50V 27P	C871	ECEA1EU4R7	25V 4.7U			
C301	ECFR1E104ZF5	25V 0.1U	C901, 902	ECEA1AKN100B	10V 10U			
C302	ECBT1C103NS5	16V 0.01U	C903, 904	ECEA1AM470S	10V 47U			
C303	ECBT1H6R8K5	50V 6.8P	C905-910	ECBT1C103NS5	16V 0.01U			
C304	ECFR1E104ZF5	25V 0.1U						
C305	ECEAOJU331B	6.3V 330U						
C306	ECEAOJU101B	6.3V 100U						
C307, 308	ECFR1E104ZF5	25V 0.1U						
C309	ECBT1C103NS5	16V 0.01U						
C310, 311	ECFR1E104ZF5	25V 0.1U						
C312	ECBT1H330J5	50V 33P						
C313	ECFR1E104ZF5	25V 0.1U						
C314	ECEAOJU470B	6.3V 47U						
C315	ECEAOJU101B	6.3V 100U						
C316	ECFR1E104ZF5	25V 0.1U						
C317	ECQV1H474JZ3	50V 0.47U						
C318	ECQV1H823JZ	50V 0.082U						
C319	ECBT1H102KB5	50V 1000P						
C320	ECBT1C103NS5	16V 0.01U						
C321	ECFR1E104ZF5	25V 0.1U						
C322	ECBT1C103NS5	16V 0.01U						
C330, 331	ECBT1H5R6K5	50V 5.6P						
C351-353	ECBT1H102KB5	50V 1000P						
C401	ECFR1E104ZF5	25V 0.1U						
C402	ECEAOJU470B	6.3V 47U						
C407	ECEA1HKOR1	50V 0.1U						
C408	ECFR1E104ZF5	25V 0.1U						
C409-411	ECBT1H102KB5	50V 1000P						
C412, 413	ECBT1C103NS5	16V 0.01U						
C414	ECBT1H470J5	50V 47P						
C601	ECBT1C103NS5	16V 0.01U						
C602	ECEA1CKS100L	16V 10U						
C603, 604	ECFR1E104ZF5	25V 0.1U						
C605	ECEA1CKS100L	16V 10U						
C751	ECBT1E223ZF	25V 0.022U						
C801-804	ECBT1H680J5	50V 68P						
C805-808	ECBT1H470J5	50V 47P						
C809, 810	ECBT1H221KB5	50V 220P						
C811, 812	ECEA1CBZ330B	16V 33U						
C813, 814	ECHR1H822GZ3	50V 8200P						
C815, 816	ECHR1H331GZ3	50V 330P						
C817, 818	ECHR1H102GZ3	50V 1000P						
C819, 820	ECHR1H121GZ3	50V 120P						
C821, 822	ECFR1E104ZF5	25V 0.1U						