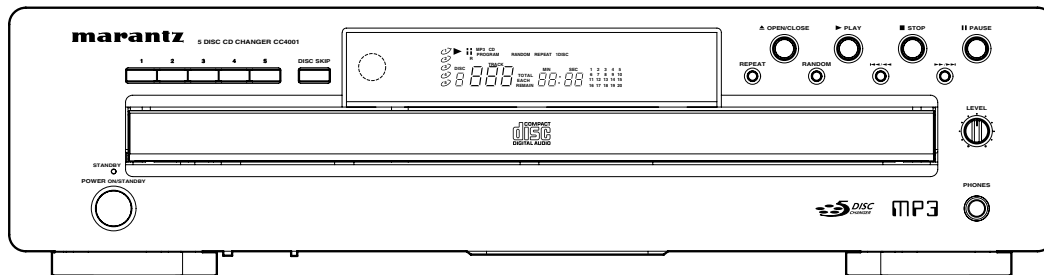


Service Manual

CC4001 /F B/N1B/U1B

5 Disc CD Changer

CC4001



COMPACT
disc
DIGITAL AUDIO

TABLE OF CONTENTS

SECTION	PAGE
1. TECHNICAL SPECIFICATIONS	1
2. SERVICE HINTS AND TOOLS	2
3. WARNING AND LASER SAFETY INSTRUCTIONS.....	3
4. CAUTION	4
5. TAKING THE DISC OUT OF EMERGENCY	6
6. SERVICE MODE.....	7
7. UPDATE DSP FIRMWARE PROCEDURE (U3)	8
8. WIRING DIAGRAM	9
9. BLOCK DIAGRAM	11
10. SCHEMATIC DIAGRAM.....	13
11. PARTS LOCATION.....	19
12. EXPLODED VIEW AND PARTS LIST.....	27
13. MICROPROCESSOR AND IC DATA.....	31
14. ELECTRICAL PARTS LIST.....	43
15. ABOUT REPLACE THE MICROPROCESSOR WITH A NEW ONE.....	55

Please use this service manual with referring to the user guide (D.F.U.) without fail.

修理の際は、必ず取扱説明書を準備し操作方法を確認の上作業を行ってください。

marantz®

CC4001

Part no. 90M08CW855010

First Issue 2006.06

MZ

MARANTZ DESIGN AND SERVICE

Using superior design and selected high grade components, **MARANTZ** company has created the ultimate in stereo sound. Only original **MARANTZ** parts can insure that your **MARANTZ** product will continue to perform to the specifications for which it is famous.

Parts for your **MARANTZ** equipment are generally available to our National Marantz Subsidiary or Agent.

ORDERING PARTS :

Parts can be ordered either by mail or by Fax.. In both cases, the correct part number has to be specified.

The following information must be supplied to eliminate delays in processing your order :

1. Complete address
2. Complete part numbers and quantities required
3. Description of parts
4. Model number for which part is required
5. Way of shipment
6. Signature : any order form or Fax. must be signed, otherwise such part order will be considered as null and void.

USA

MARANTZ AMERICA, INC
100 CORPORATE DRIVE
MAHWAH, NEW JERSEY 07430
USA

EUROPE / TRADING

MARANTZ EUROPE B.V.
P. O. BOX 8744, BUILDING SILVERPOINT
BEEMDSTRAAT 11, 5653 MA EINDHOVEN
THE NETHERLANDS
PHONE : +31 - 40 - 2507844
FAX : +31 - 40 - 2507860

CANADA

MARANTZ CANADA INC.
5-505 APPLE CREEK BLVD.
MARKHAM, ONTARIO L3R 5B1
CANADA
PHONE : 905 - 415 - 9292
FAX : 905 - 475 - 4159

AUSTRALIA

QualiFi Pty Ltd,
24 LIONEL ROAD,
MT. WAVERLEY VIC 3149
AUSTRALIA
PHONE : +61 - (0)3 - 9543 - 1522
FAX : +61 - (0)3 - 9543 - 3677

THAILAND

MRZ STANDARD CO., LTD
746 - 754 MAHACHAI ROAD.,
WANGBURAPAPIROM, PHRANAKORN,
BANGKOK, 10200 THAILAND
PHONE : +66 - 2 - 222 9181
FAX : +66 - 2 - 224 6795

SINGAPORE

WO KEE HONG DISTRIBUTION PTE LTD
No.1 JALAN KILANG TIMOR
#08-03 PACIFIC TECH CENTRE
SINGAPORE 159303
PHONE : +65 6376 0338
FAX : +65 6376 0166

NEW ZEALAND

WILDASH AUDIO SYSTEMS NZ
14 MALVERN ROAD MT ALBERT
AUCKLAND NEW ZEALAND
PHONE : +64 - 9 - 8451958
FAX : +64 - 9 - 8463554

TAIWAN

PAI- YUING CO., LTD.
6 TH FL NO, 148 SUNG KIANG ROAD,
TAIPEI, 10429, TAIWAN R.O.C.
PHONE : +886 - 2 - 25221304
FAX : +886 - 2 - 25630415

MALAYSIA

WO KEE HONG ELECTRONICS SDN. BHD.
2ND FLOOR BANGUNAN INFINITE CENTRE
LOT 1, JALAN 13/6, 46200 PETALING JAYA
SELANGOR DARUL EHSAN, MALAYSIA
PHONE : +60 - 3 - 7954 8088
FAX : +60 - 3 - 7954 7088

JAPAN

D&M Holdings Inc.
D&M BUILDING, 2-1 NISSHIN-CHO,
KAWASAKI-KU, KAWASAKI-SHI,
KANAGAWA, 210-8569 JAPAN

株式会社 ディーアンドエムホールディングス

本社 〒210-8569
神奈川県川崎市川崎区日進町2-1 D&Mビル

KOREA

MARANTZ KOREA CO., LTD.
ROOM 604, ELECTRO OFFICE, 16-58,
HANGGANG-RO 3GA, YONGSAN-KU,
SEOUL, 140-013, KOREA
PHONE : +82 - 2 - 323 - 2155
FAX : +82 - 2 - 323 - 2154

CHINA

MARANTZ SHANGHAI TRADING LTD.
ROOM.506 SHANGHAI LIGHT INDUSTRY MANSION
1578 NANJING (WEST) ROAD SHANGHAI
CHINA
TEL : 021 - 6248 - 1064
FAX : 021 - 6248 - 3565

SHOCK, FIRE HAZARD SERVICE TEST :

CAUTION : After servicing this appliance and prior to returning to customer, measure the resistance between either primary AC cord connector pins (with unit NOT connected to AC mains and its Power switch ON), and the face or Front Panel of product and controls and chassis bottom.

Any resistance measurement less than 1 Megohms should cause unit to be repaired or corrected before AC power is applied, and verified before it is return to the user/customer.

Ref. UL Standard No. 6500.

In case of difficulties, do not hesitate to contact the Technical
Department at above mentioned address.

1. TECHNICAL SPECIFICATIONS

Audio Characteristics	
Analog output	
Channels	2channels
Frequency range	2Hz — 20kHz
Frequency characteristics	2Hz — 20kHz
Dynamic range (1 kHz)	100 dB or more
THD (1kHz)	0.0020%
Separation	110 dB or more
Wow & Flutter	Precision of quartz
Output level	
Unbalanced	2.0V RMS STEREO
Digital output	
Output level (Cinch JACK)	0.5Vp-p (75Ω)
Output level (Optical)	-19dBm
Optical Readout System	
Laser	AlGaAs semiconductor
Wave length	780nm
Signal format	
Sampling frequency	44.1kHz

Power Supply

Input Voltage, Frequency [F]..... AC 100V 50/60Hz
 [N]..... AC 230V 50Hz
 [U]..... AC 120V 60Hz
 Power Consumption [F/N].....19W
 [U].....18W

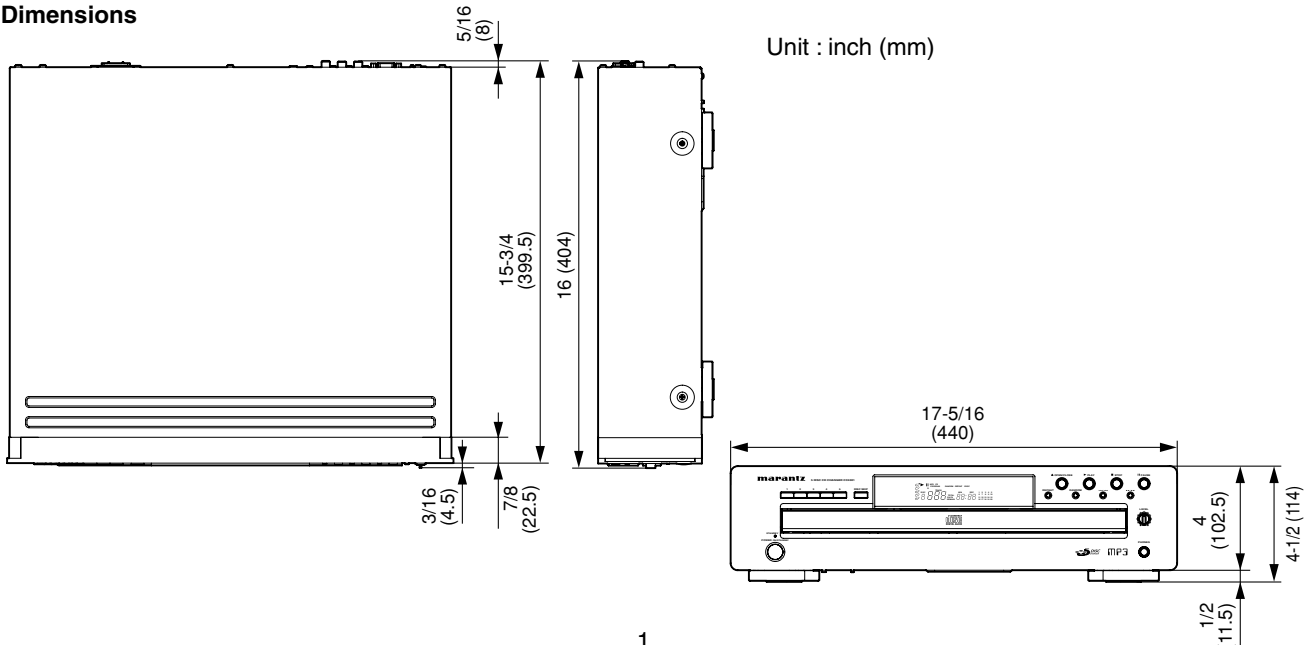
Cabinet, etc.

Dimensions (Width xHeight x Depth) 17-5/16 x 4-1/2 x 16 ins.(440 x 114 x 404mm)
 Net weight6.9kg
 Operating temperatures +5°C ~ +35°C
 Operating humidity..... 5 ~ 90% (without dew)

Accessories

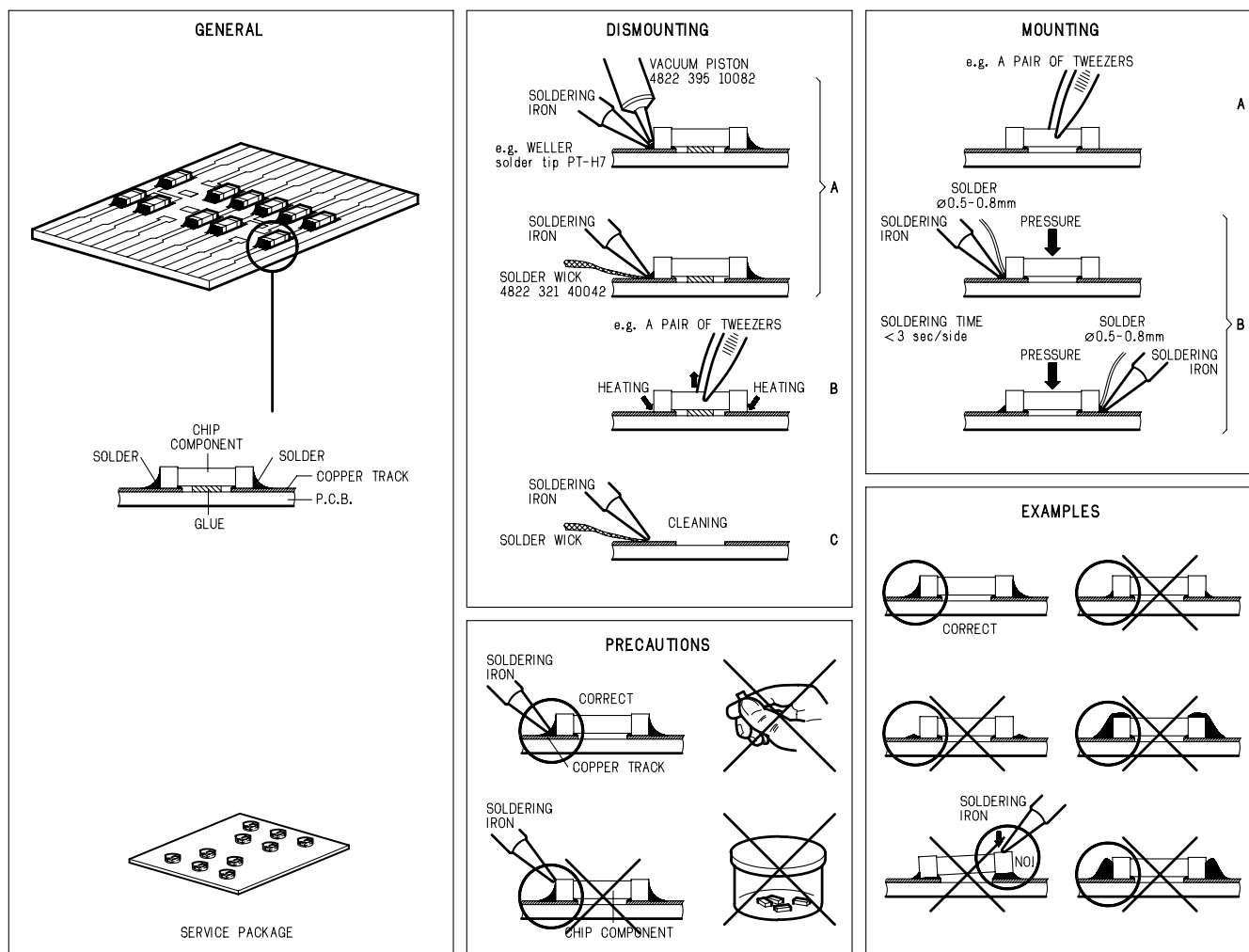
- Remote control unit (RC4001CC).....1
- AA (UM-3) Batteries2
- AC Power cord.....1
- Audio cable1 pairs
- Remote connection Cable1
- User's Guide1

Dimensions



2. SERVICE HINTS AND TOOLS

SERVICE HINTS



SERVICE TOOLS

Audio signals disc	4822 397 30184
Disc without errors (SBC444)+	
Disc with DO errors, black spots and fingerprints (SBC444A)	4822 397 30245
Disc (65 min 1kHz) without no pause	4822 397 30155
Max. diameter disc (58.0 mm)	4822 397 60141
Torx screwdrivers	
Set (straight)	4822 395 50145
Set (square)	4822 395 50132
13th order filter	4822 395 30204
DVD test disc (PAL)	4822 397 10131
DVD test disc (NTSC) ALMEDIO	TDV-540

3. WARNING AND LASER SAFETY INSTRUCTIONS

GB WARNING

All ICs and many other semi-conductors are susceptible to electrostatic discharges (ESD). Careless handling during repair can reduce life drastically.
When repairing, make sure that you are connected with the same potential as the mass of the set via a wrist wrap with resistance.
Keep components and tools also at this potential.



NL WAARSCHUWING

Alle IC's en vele andere halfgeleiders zijn gevoelig voor elektrostatische ontladingen (ESD).
Onzorgvuldig behandelen tijdens reparatie kan de levensduur drastisch doen verminderen.
Zorg ervoor dat u tijdens reparatie via een polsband met weerstand verbonden bent met hetzelfde potentiaal als de massa van het apparaat.
Houd componenten en hulpmiddelen ook op ditzelfde potentiaal.

F ATTENTION

Tous les IC et beaucoup d'autres semi-conducteurs sont sensibles aux décharges statiques (ESD).
Leur longévité pourrait être considérablement écourtée par le fait qu'aucune précaution n'est prise à leur manipulation.
Lors de réparations, s'assurer de bien être relié au même potentiel que la masse de l'appareil et enfiler le bracelet muni d'une résistance de sécurité.
Veiller à ce que les composants ainsi que les outils que l'on utilise soient également à ce potentiel.

D WARNUNG

Alle IC und viele andere Halbleiter sind empfindlich gegen elektrostatische Entladungen (ESD).
Unvorsichtige Behandlung bei der Reparatur kann die Lebensdauer drastisch vermindern.
Sorgen sie dafür, das Sie im Reparaturfall über ein Pulsarmband mit Widerstand mit dem Massepotential des Gerätes verbunden sind.
Halten Sie Bauteile und Hilfsmittel ebenfalls auf diesem Potential.

I AVVERTIMENTO

Tutti IC e parecchi semi-conduttori sono sensibili alle scariche statiche (ESD).
La loro longevita potrebbe essere fortemente ridatta in caso di non osservazione della piu grande cauzione alla loro manipolazione.
Durante le riparazioni occorre quindi essere collegato allo stesso potenziale che quello della massa dell'apparecchio tramite un braccialetto a resistenza.
Assicurarsi che i componenti e anche gli utensili con quali si lavora siano anche a questo potenziale.

GB

Safety regulations require that the set be restored to its original condition and that parts which are identical with those specified be used.

D

Bei jeder Reparatur sind die geltenden Sicherheitsvorschriften zu beachten.
Der Originalzustand des Gerats darf nicht verändert werden.
Für Reparaturen sind Original-Ersatzteile zu verwenden.

NL

Veiligheidsbepalingen vereisen, dat het apparaat in zijn oorspronkelijke toestand wordt terug gebracht en dat onderdelen, identiek aan de gespecificeerde worden toegepast.

I

Le norme di sicurezza esigono che l'apparecchio venga rimesso nelle condizioni originali e che siano utilizzati pezzi di ricambio idetici a quelli specificati.

Pour votre sécurité, ces documents doivent être utilisés par des spécialistes agréés, seuls habilités à réparer votre appareil en panne.

F

Les normes de sécurité exigent que l'appareil soit remis a l'état d'origine et que soient utilisées les pièces de rechange identiques à celles spécifiées.

LASER SAFETY

This unit employs a laser. Only a qualified service person should remove the cover or attempt to service this device, due to possible eye injury.



USE OF CONTROLS OR ADJUSTMENTS OR PERFORMANCE OF PROCEDURE OTHER THAN THOSE SPECIFIED HEREIN MAY RESULT IN HAZARDOUS RADIATION EXPOSURE.

AVOID DIRECT EXPOSURE TO BEAM

WARNING

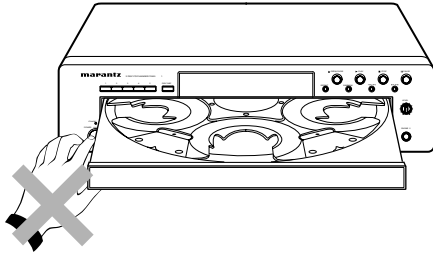
**The use of optical instruments with this product will increase eye hazard.
Repair handling should take place as much as possible with a disc loaded inside the player**

WARNING LOCATION: INSIDE ON LASER COVERSIELD

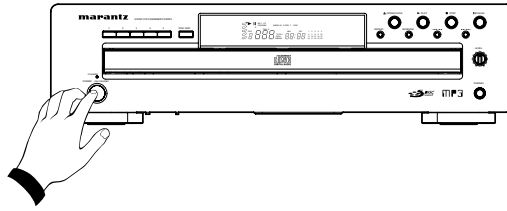
CAUTION VISIBLE AND INVISIBLE LASER RADIATION WHEN OPEN AVOID EXPOSURE TO BEAM
ADVARSEL SYNLIG OG USYNLIG LASERSTRÅLING VED ÅBNING UNDGÅ UDSÆTTELSE FOR STRÅLING
ADVARSEL SYNLIG OG USYNLIG LASERSTRÅLING NÅR DEKSEL Å PNES UNNGÅ EKSPONERING FOR STRÅLEN
VARNING SYNLIG OCH OSYNLIG LASERSTRÅLNING NÅR DENNA DEL ÅR ÖPPNAD BETRakta EJ STRÅLEN
VARO! AVATT AESSA OLET ALTTIINA NÄKYVÄLLE JA NÄKYMÄTTÖMÄLLE LASER SÄTEILYLLE. ÄLÄ KATSO SÄTEESEEN
VORSICHT SICHTBARE UND UNSICHTBARE LASERSTRAHLUNG WENN ABDECKUNG GEÖFFNET NICHT DEM STRAHL AUSSETSEN
DANGER VISIBLE AND INVISIBLE LASER RADIATION WHEN OPEN AVOID DIRECT EXPOSURE TO BEAM
ATTENTION RAYONNEMENT LASER VISIBLE ET INVISIBLE EN CAS D'OUVERTURE EXPOSITION DANGEREUSE AU FAISCEAU

4. CAUTION

1: Do not forcibly close the CD door when the power is off.



- Do not switch off the power when the CD door is open.



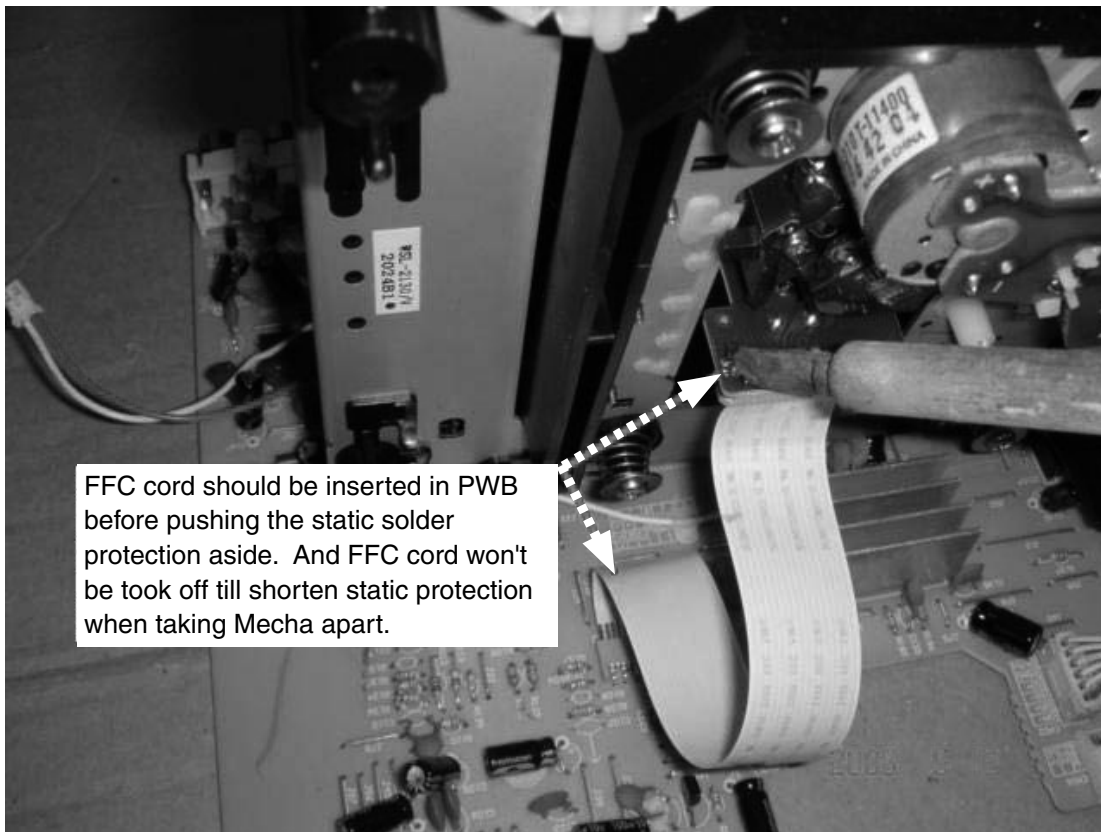
- To avoid damage, please don't switch off the power until "no disc" or "time code" is read on the display, always using the OPEN/CLOSE button to close the CD Door.

2: To prevent destroying the anti-static protection for the mechanism, please kindly be noted of the following important instruction for installing/disassembling the mechanism:

- When disassembling the mechanism, please make sure to turn off power and short the Anti-static protection welding point before removing the FFC cable.
- When assembling the mechanism, please make sure to connect the FFC cable and PWB before removing the Anti-static welding point, then, turn on the power.

ピックアップの損傷避けるため下記の作業を行ってください。

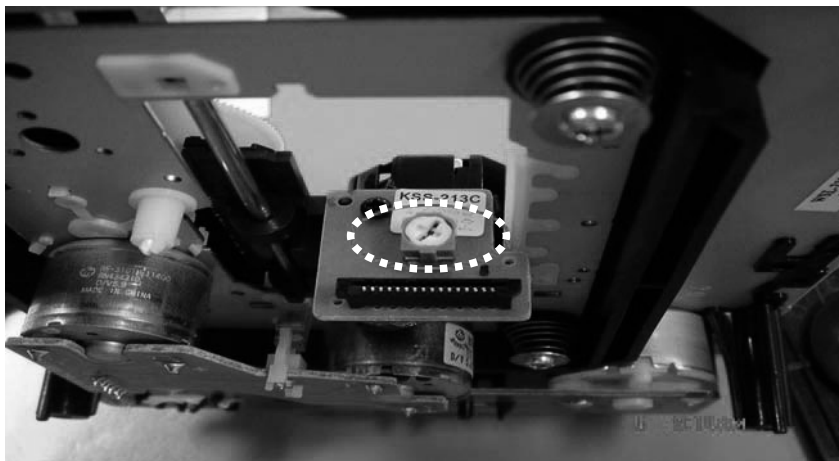
- FFCケーブルを外す前に、2つのランドを半田でショートします。
- FFCケーブルを接続後、ショートランドの半田を取り除きます。



3: 3-1. Please be aware of wearing an anti-static ring before repairing.

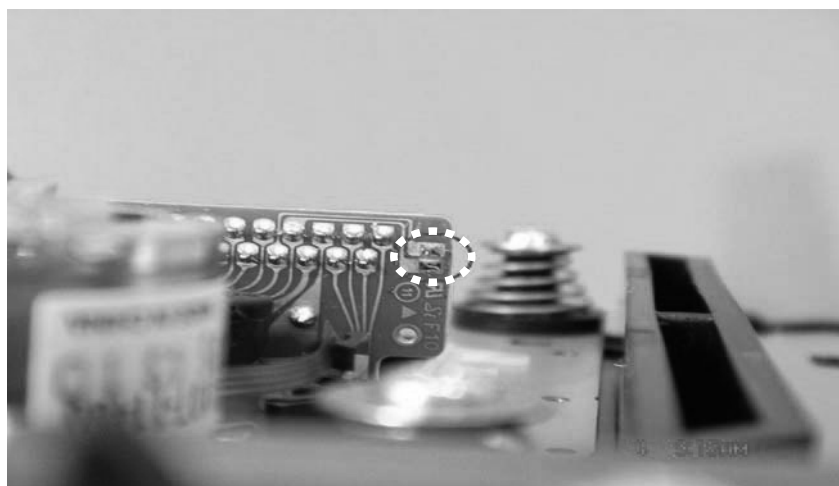
3-2. It is forbidden to adjust the laser pick up VR.

レーザーピックアップボリュームは、調整禁止です。



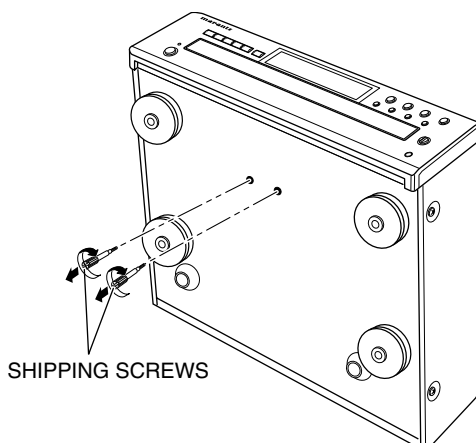
3-3. To protect the mechanism (CD PICK UP);

Always short the Anti-static protection welding point before removing the mechanism.



4: NOTES FOR REMOVING SHIPPING SCREWS

Before transporting the player, take out the discs, close the disc tray, set to standby mode and unplug the power cord from the power outlet. Then install the shipping screws by turning them clockwise. Be sure to fasten them securely.



輸送用ネジ取り外しに関する注意

本機の底部に赤色の輸送用ネジ2本がついていますが、本機を輸送するときに使用します。本機を使用する前に、ネジを反時計方向に回して取り外してください。

輸送用ネジがまだ所定の位置にあるままで電源を入れた場合、電源コードをコンセントから抜き、輸送用ネジを取り外してください。ネジは、本機を輸送するときに必要になるため、保管しておいてください。

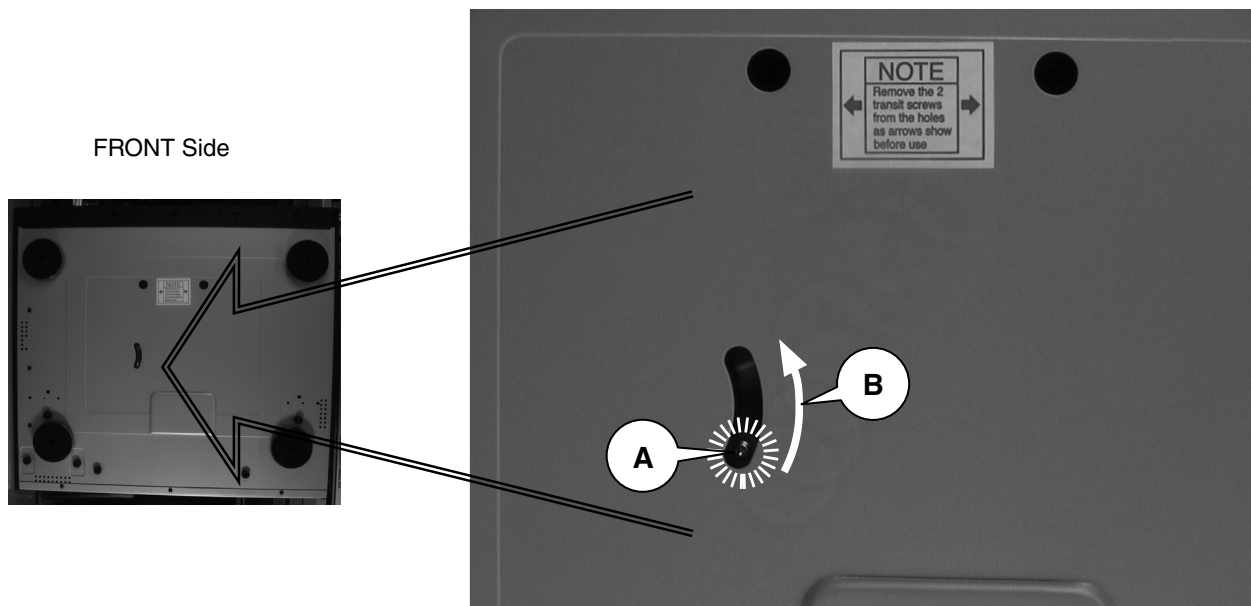
本機を輸送する前に、ディスクを取り出し、ディスクトレイを閉じ、スタンバイ状態にしてから電源コードをコンセントから抜いてください。次に、輸送用ネジを時計方向に回して取り付けてください。ネジは確実に締めてください。

5. TAKING THE DISC OUT OF EMERGENCY

Move the (A) portion (Screw Head) in the direction of an arrow (B) at a thin lot.

Caution : When turning the (A) portion, Please do not turn the unit over or do not stand. The disc might be damaged.

細い棒等で A 部（ネジの頭）を矢印（B）の方向に動かします。
注意：A 部を動かすとき、セットを反転または立てないでください。ディスクが損傷する恐れがあります。



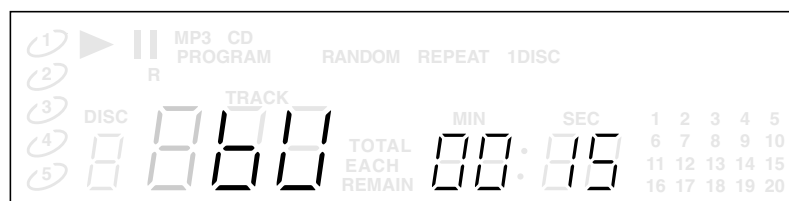
6. SERVICE MODE

1. Microprocessor Version check

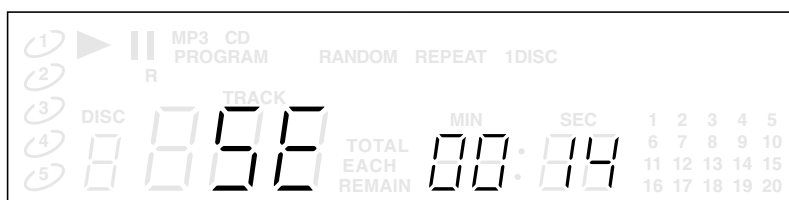
- 1) Press the **POWER ON/STANBY** button to turn on the unit..
- 2) Press **1** (Disc Select) and **DISC SKIP** button.
Microprocessor (IC110) version is displayed on FLD.
(While pressing buttons, version is displayed on FLD)



- 3) Press **2** (Disc Select) and **DISC SKIP** button.
Microprocessor (U3) version is displayed on FLD.



- 4) Press **3** (Disc Select) and **DISC SKIP** button.
Microprocessor (IC103) version is displayed on FLD.



6. SERVICE モード

1. Microprocessor VERSION 確認

- 1) **POWER ON/STANDBY** ボタンを押し本体の電源を入れます。
- 2) フロントパネルの **1** (ディスクセレクト) ボタンと **DISC SKIP** ボタンを押します。
フロントパネルの表示窓にマイコン (IC110) のバージョンが表示されます。
(ボタンを押している間だけバージョンが表示され、ボタンを離すと元の表示になります)

- 3) ディスクセレクトボタン **2** と **DISC SKIP** ボタンを押します。
フロントパネルの表示窓にマイコン (U3) のバージョンが表示されます。

- 4) ディスクセレクトボタン **3** と **DISC SKIP** ボタンを押します。
フロントパネルの表示窓にマイコン (IC103) のバージョンが表示されます。

7. UPDATE DSP FIRMWARE PROCEDURE (U3)

Necessary Equipment

Update disc (90M-CC4001CDR) or update data (cc4001xx.hex)

NOTICE : The xx of update data filename is firmware version.

必要機器

Update disc (90M-CC4001CDR) または update data (cc4001xx.hex)

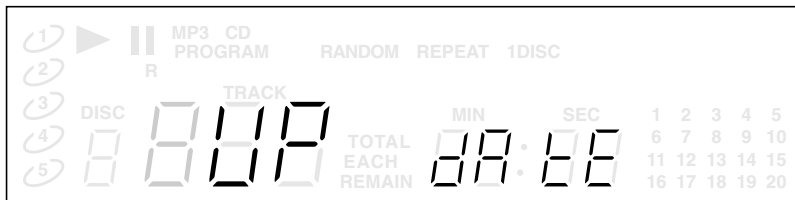
注意) アップデートデータのファイル名にある xx はファームウェアのバージョンです。

The writing of firmware takes about 15 seconds.

ファームウェアのアップデートにかかる時間はおよそ 15 秒です。

1. Connect the mains cord into the unit.
2. Press the **POWER ON/STANDBY** button to turn on the unit.
3. Press the **OPEN/CLOSE** button to open the tray.
4. Insert the update disc onto the disc tray number 1.
5. Press the **1** (Disc Select) button on front panel of the unit.
6. Then disc tray closes and read the TOC.
7. "UP dAtE" (UPDATE) is displayed on the front display, and updating DSP firmware.

1. 本機に電源コードを接続します。
2. 本機の **POWER ON/STANDBY** ボタンを押して、電源を入れます。
3. **OPEN/CLOSE** ボタンを押して、ディスクトレイを開きます。
4. アップデートディスクをディスクトレイの 1 番に載せます。
5. 本機のフロントパネルにある **1**(ディスクセレクト) ボタンを押します。
6. ディスクトレイが閉まり、TOC を読みます。
7. ディスプレイに "UP dAtE" (UPDATE) が表示され、DSP のファームウェアのアップデートが行われます。



8. "Suc CESS" (SUCCESS) is displayed on the front display, and the tray opens automatically.

8. ディスプレイに "Suc CESS" (SUCCESS) が表示され、自動的にディスクトレイが開きます。



9. Remove the update disc from the tray.
10. Disconnect the mains cord from the unit.
11. Reconnect the mains cord from the unit.
12. Press the **POWER ON/STANDBY** button to turn on the unit.
13. Then the tray closes automatically.
14. Press the **POWER ON/STANDBY** button to turn off the unit.
15. Disconnect the mains cord.

9. ディスクトレイからアップデートディスクを取り出します。
10. 本機から電源コードを外します。
11. 再び本機に電源コードを接続します。
12. 本機の **POWER ON/STANDBY** ボタンを押して、電源を入れます。
13. ディスクトレイが自動的に閉まります。
14. 本機の **POWER ON/STANDBY** ボタンを押して、電源を切ります。
15. 本機から電源コードを外します。

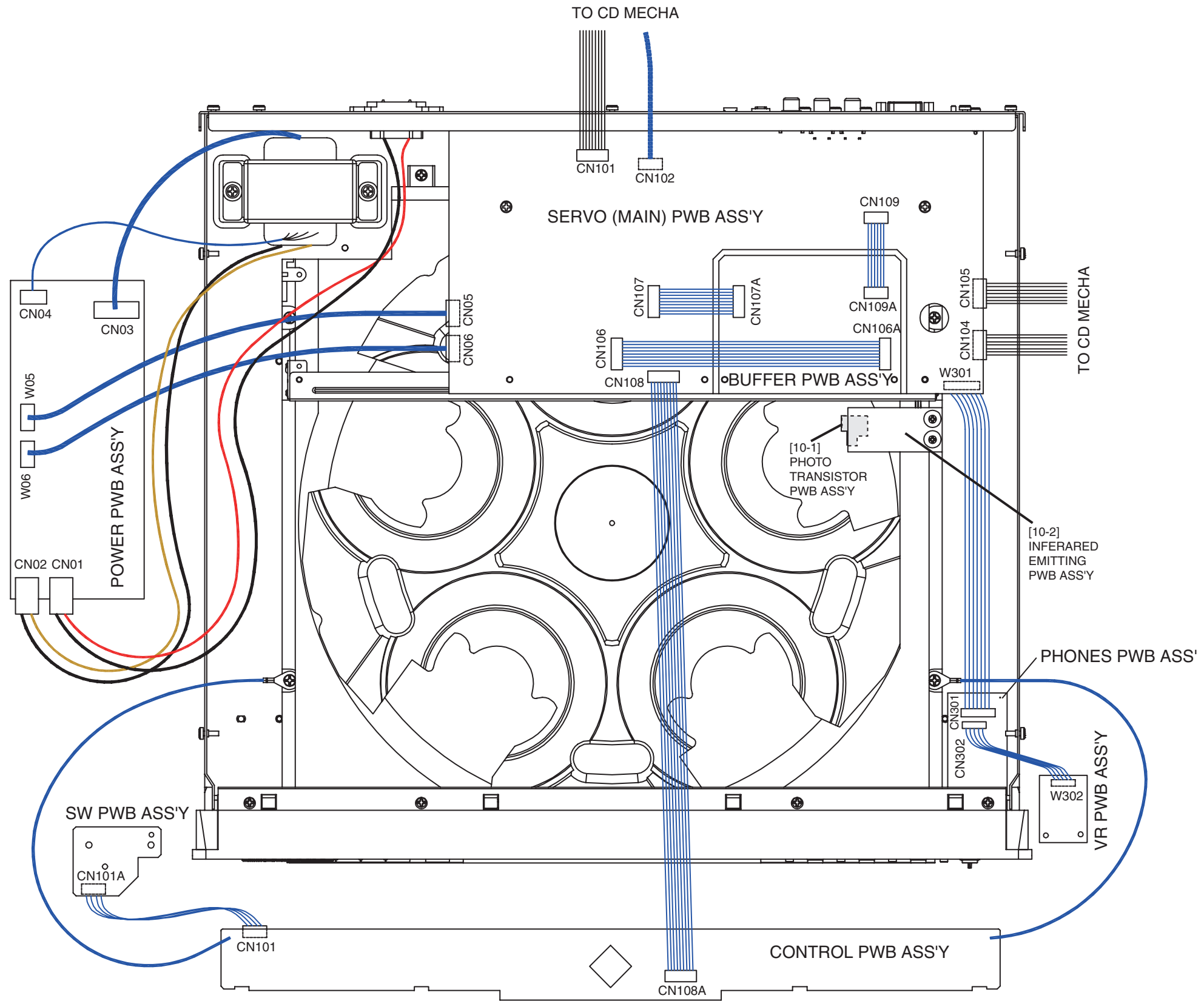
The firmware has been updated.

ファームウェアのアップデートは完了です。

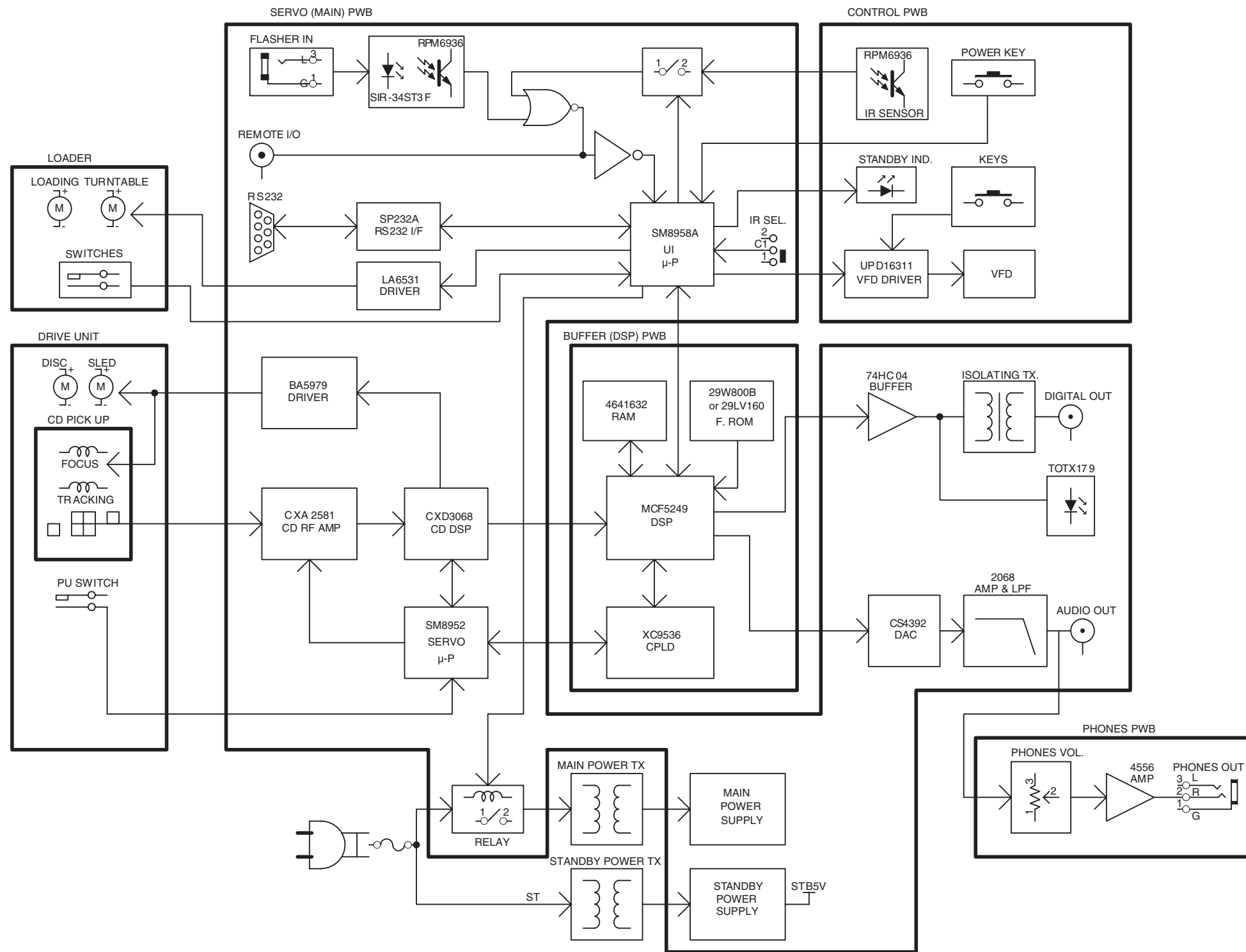
To check the version number of the firmware, see the chapter no.6 SERVICE MODE.

6.SERVICE MODE を参照し、ファームウェアのバージョンを確認します。

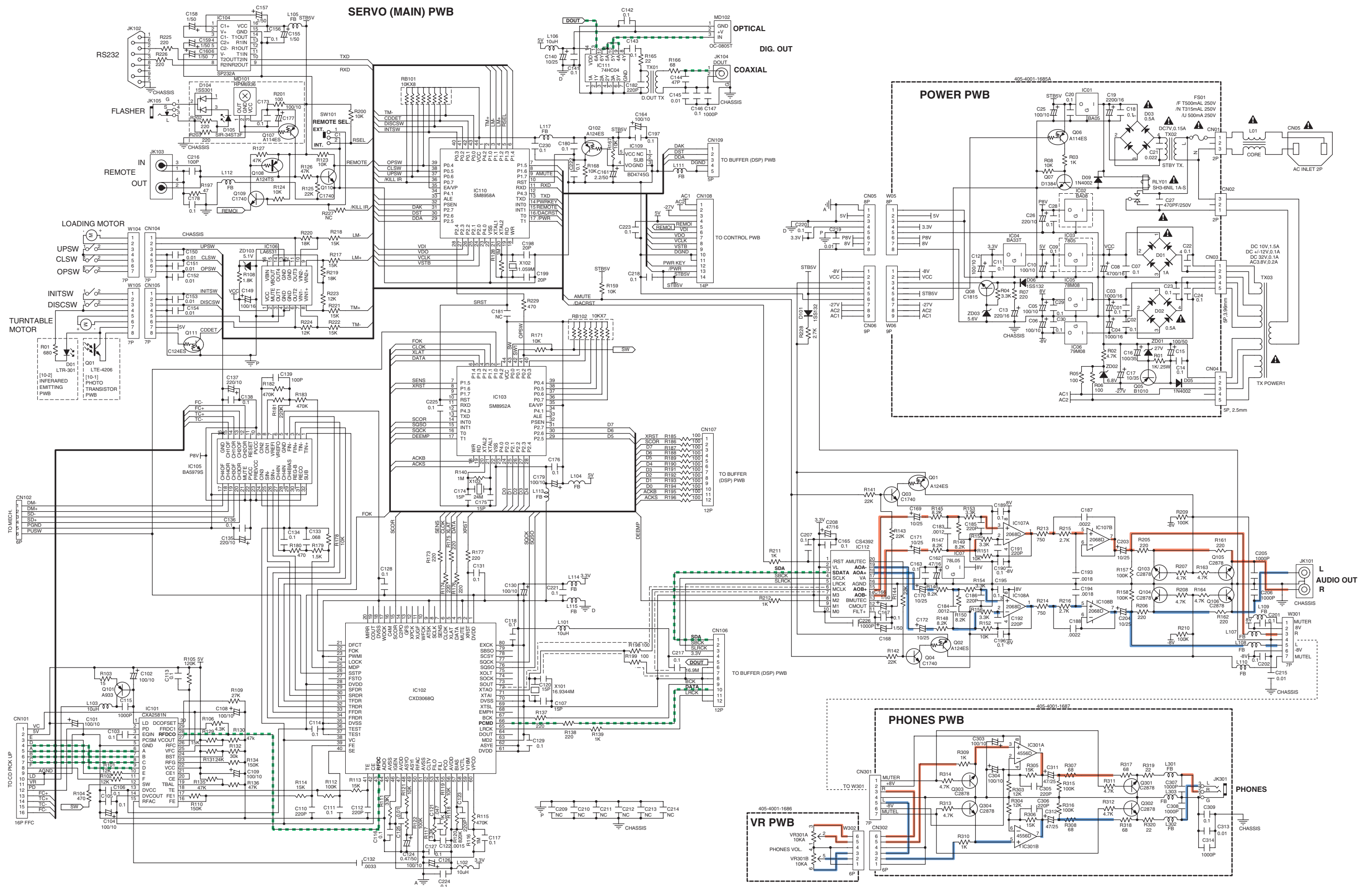
8. WIRING DIAGRAM



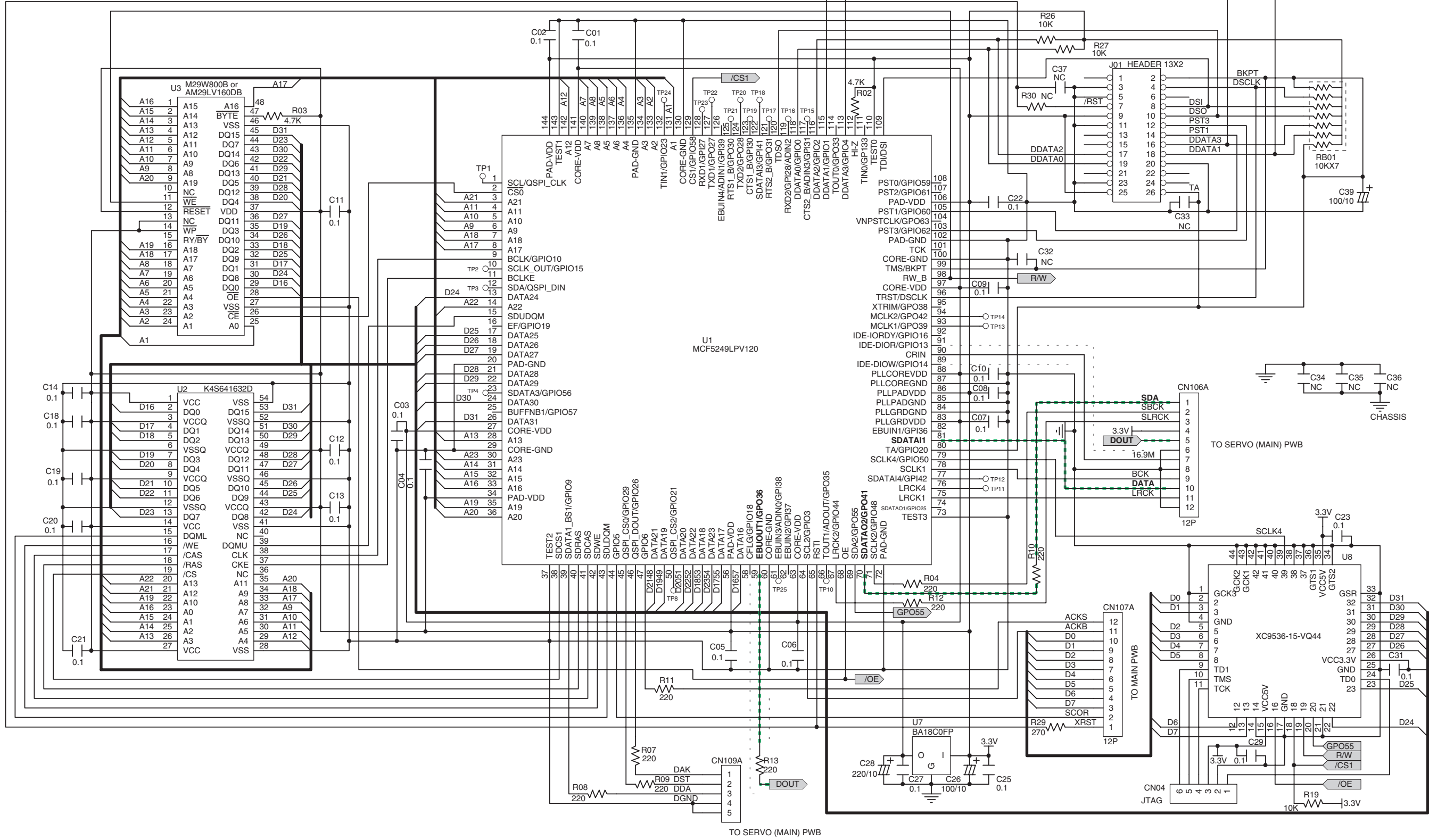
9. BLOCK DIAGRAM

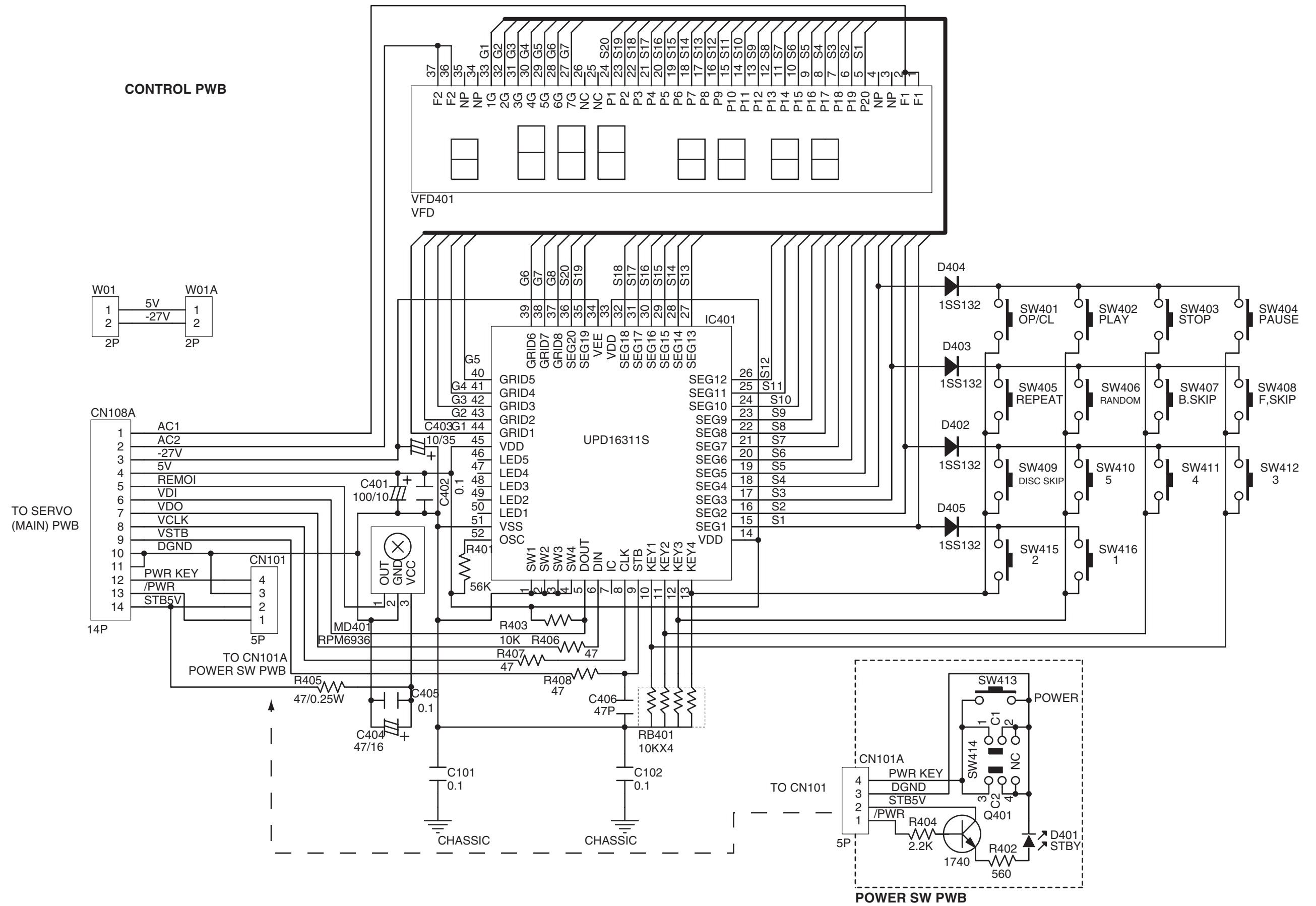


10. SCHEMATIC DIAGRAM



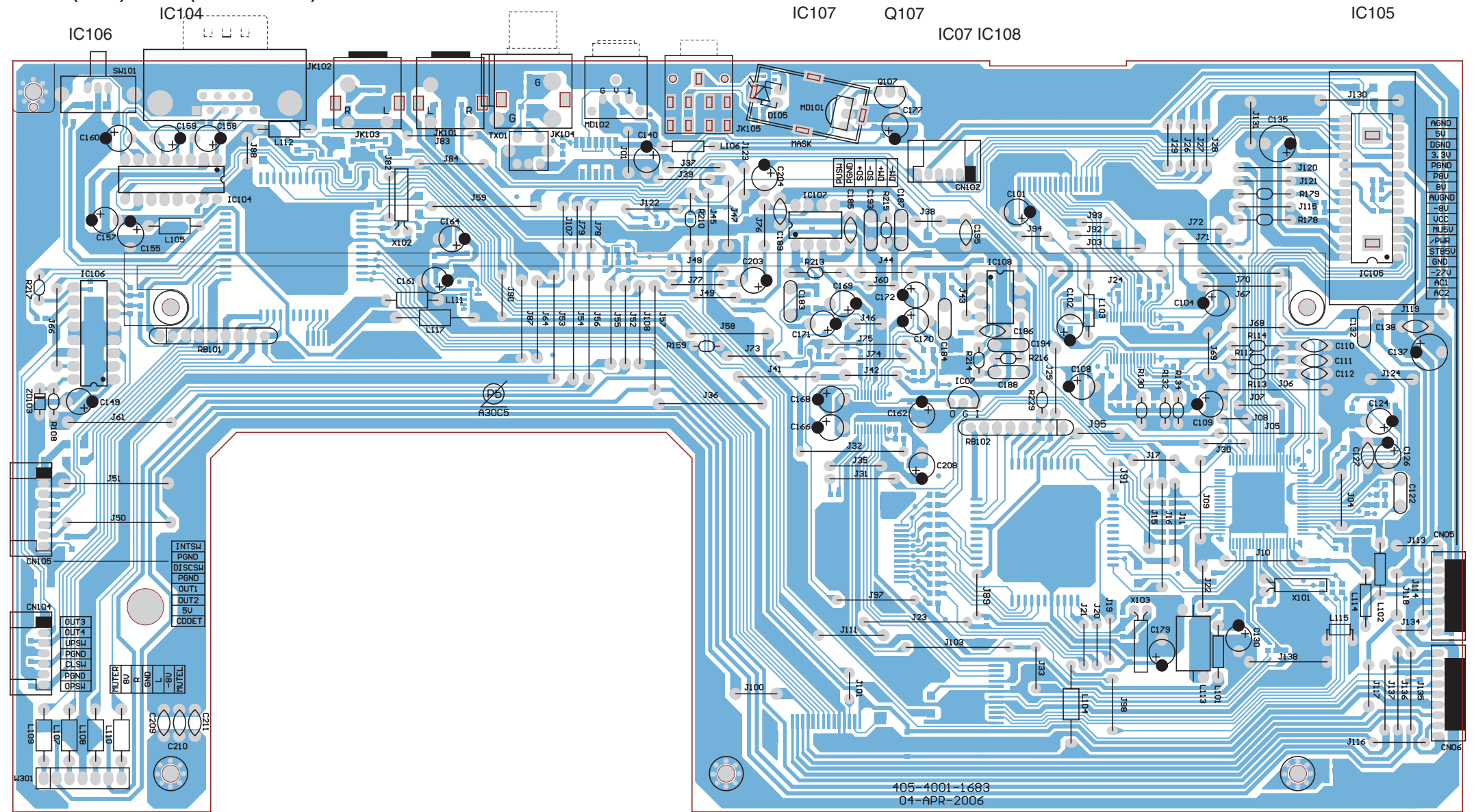
BUFFER (DSP) PWB



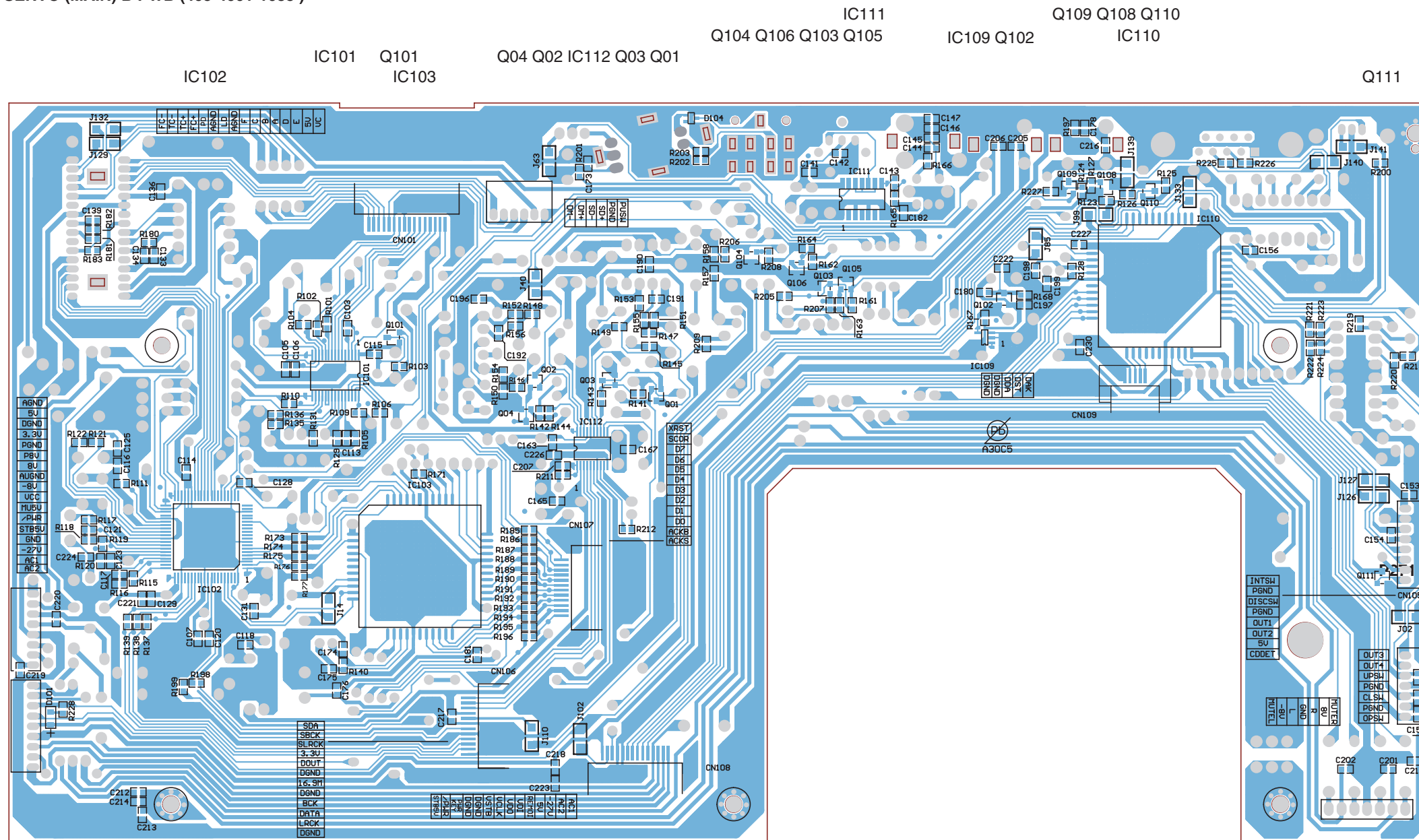


11. PARTS LOCATION

SERVO (MAIN) A PWB (405-4001-1683)



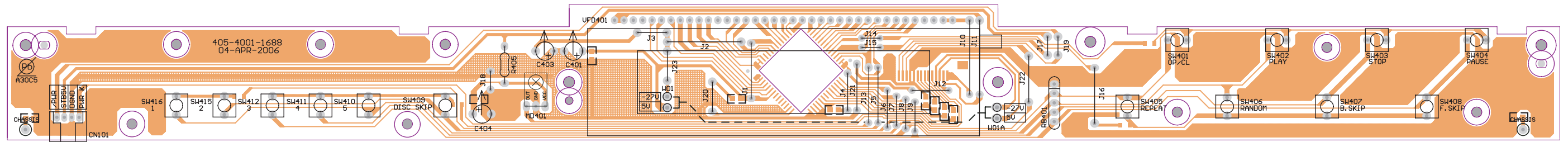
SERVO (MAIN) B PWB (405-4001-1683)



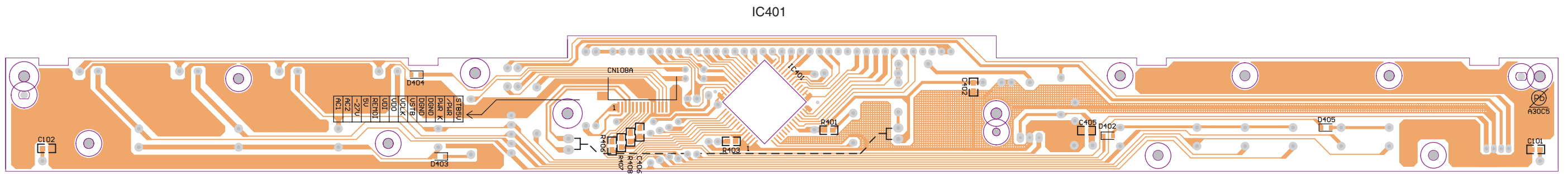
鉛フリー半田
半田付けには、鉛フリー半田 (Sn-Ag-Cu) を使用してください。

Lead-free Solder
When soldering, use the Lead-free Solder (Sn-Ag-Cu).

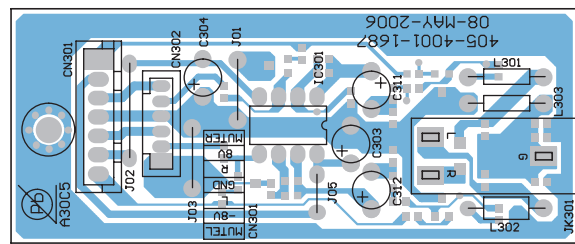
CONTROL PWB A (405-4001-1688)



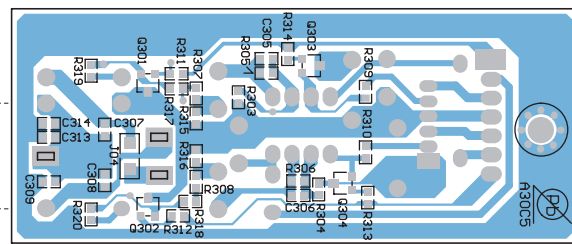
CONTROL PWB B (405-4001-1688)



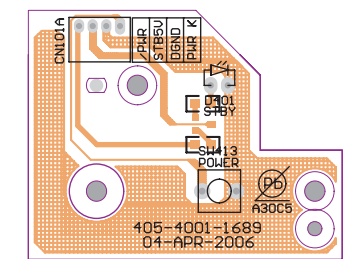
PHONES PWB A (405-4001-1687)
IC301



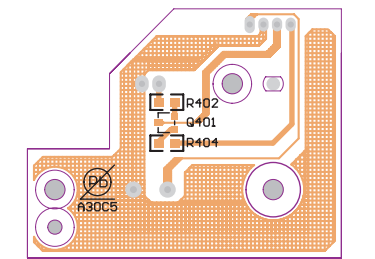
PHONES PWB B (405-4001-1687)
Q301 Q302 Q303 Q304



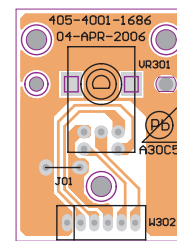
SW PWB A (405-4001-1689)



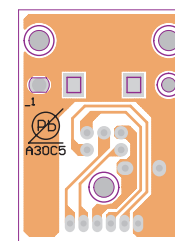
SW PWB B (405-4001-1689)
Q401



VR PWB A (405-4001-1686)



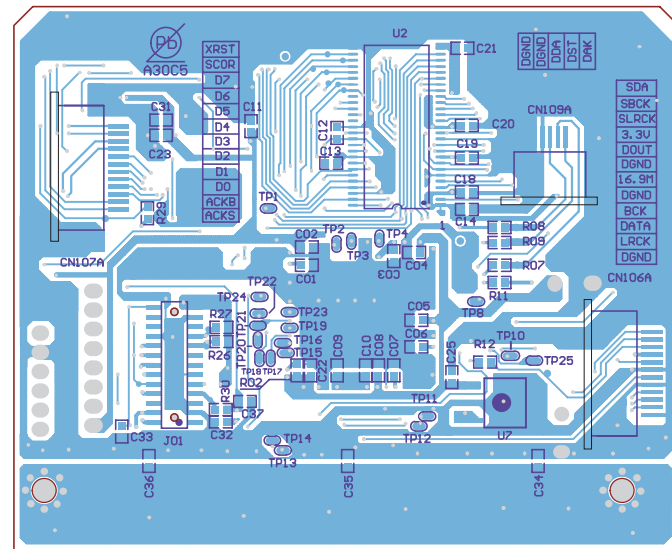
VR PWB B (405-4001-1686)



鉛フリー半田
半田付けには、鉛フリー半田 (Sn-Ag-Cu) を使用してください。
Lead-free Solder
When soldering, use the Lead-free Solder (Sn-Ag-Cu).

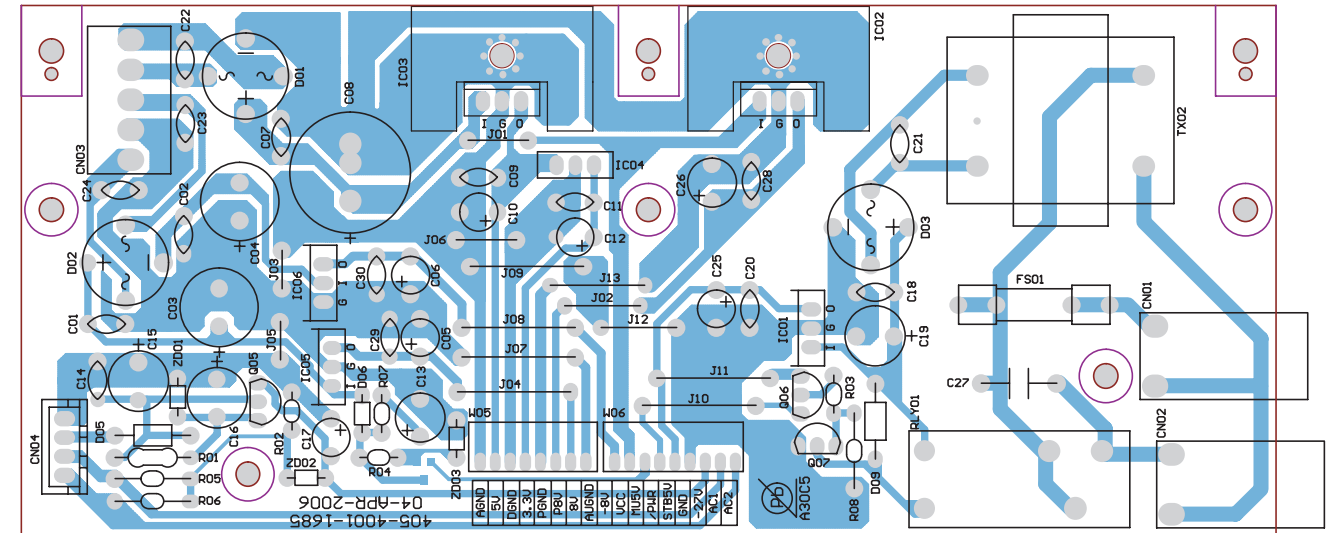
BUFFER A PWB (405-4001-1684)
Bottom View

U2
U7



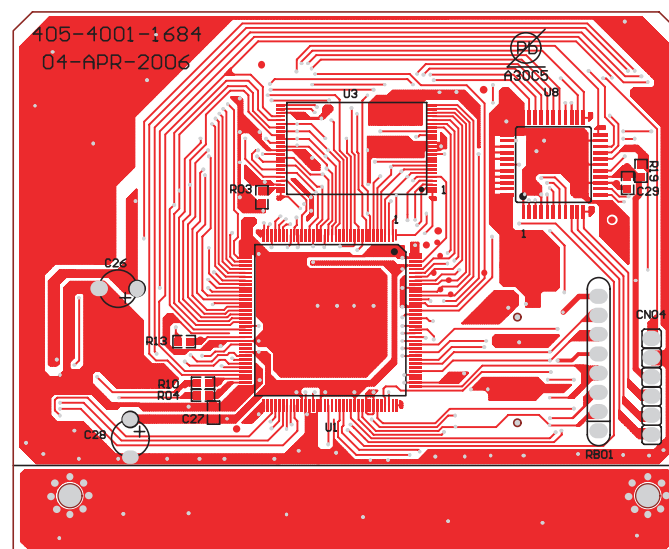
POWER PWB (405-4001-1685)

IC03 IC04 IC02
IC06 IC05 IC01
Q05 Q06 Q07



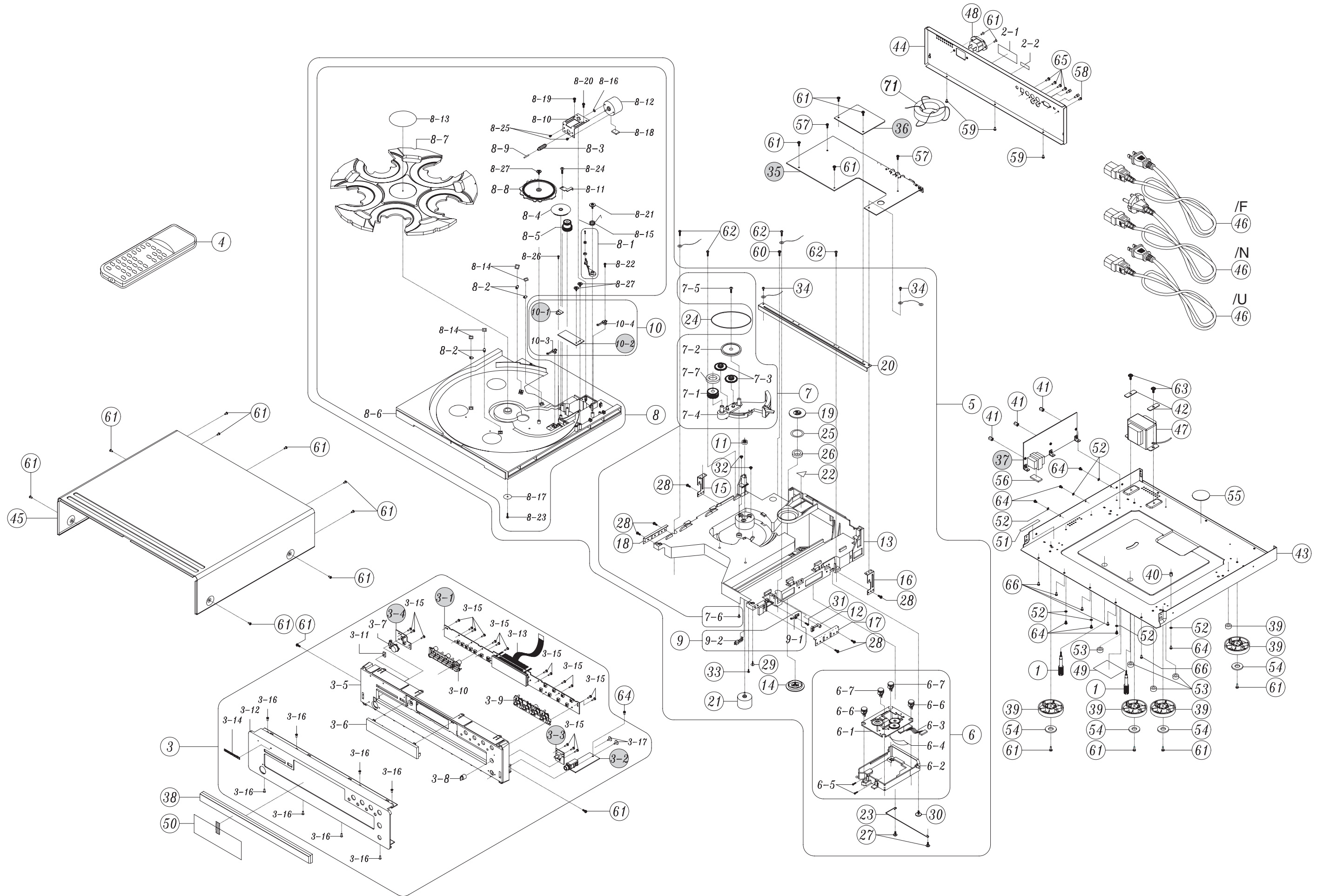
BUFFER B PWB (405-4001-1684)
Top View

U1 U3 U8



鉛フリー半田
半田付けには、鉛フリー半田 (Sn-Ag-Cu) を使用してください。
Lead-free Solder
When soldering, use the Lead-free Solder (Sn-Ag-Cu).

12. EXPLODED VIEW AND PARTS LIST



P.C.B. NAME	POS. NO.	VERS. COLOR	PART NO. (FOR EUR)	PART NO. (MZ)	PART NAME	DESCRIPTION	
	3	F B	nsp	nsp	PANEL	FRONT PANEL ASSY	701-4001U1B-3766
	3	/N1B	nsp	nsp	PANEL	FRONT PANEL ASSY	701-4001-3710
	3	/U1B	nsp	nsp	PANEL	FRONT PANEL ASSY	701-4001U1B-3766
	3-1	F B	nsp	nsp	PWB ASSY	CONTROL PWB ASSY	704-4001-6173
	3-1	/N1B	nsp	nsp	PWB ASSY	CONTROL PWB ASSY	704-4001-6323
	3-1	/U1B	nsp	nsp	PWB ASSY	CONTROL PWB ASSY	704-4001-6173
	3-2		nsp	nsp	PWB ASSY	PHONES PWB ASSY	704-4001-6227
	3-3		nsp	nsp	PWB ASSY	VR PWB ASSY	704-4001-6229
	3-4		nsp	nsp	PWB ASSY	SW PWB ASSY	704-4001-6231
	3-5		00M08CW248120	00M08CW248120	CHASSIS	FRONT BOARD	100-4001U1B-2380
	3-6		00M08CW158010	00M08CW158010	WINDOW	DECORATION	100-4001-2382
	3-7		00M08CW270010	00M08CW270010	BUTTON	POWER KNOB	100-4001-2383
	3-8		00M08CW154010	00M08CW154010	KNOB	VOL. KNOB	100-4001-2384
	3-9		00M08CW270030	00M08CW270030	BUTTON	ROUND KNOB	100-4001-2385
	3-10		00M08CW270020	00M08CW270020	BUTTON	SQUARE KNOB	100-4001-2386
	3-11		00M08CW355010	00M08CW355010	LENS	LED LENS	100-4001-2388
	3-12		00M08CW248010	00M08CW248010	PANEL	FRONT PANEL (AL)	300-4001-1351
	3-13		nsp	90M-YU002250R	FPC	14P 1.0 FFC CABLE CN108-CN108A	406-4001-838
	3-14		00M24AW251010	00M24AW251010	BADGE	BADGE (GOLD)	501-4001-1882
	5		nsp	nsp	MECHANISM	5CD LOADER ASSY	704-390-6160
	6		00D9410042808	00D9410042808	MECHANISM	CD HEAD TRACKING ASSY	701-KMD550-1588
	6-1		nsp	nsp	MECHANISM	PICKUP ASSY (KSM-213CCM)	704-HV3423K-1441
	6-2		nsp	nsp	HOLDER	CD DECK HOLDER	100-KMD550-1220B
	6-3		nsp	nsp	CONN. CORD	6P CONN. WIRE L=230MM P=2.0MM	404-KMD5000-663
	6-4		nsp	nsp	FPC	16PIN P=1.0MM L=210MM	406-KMD5000-413
	6-6		nsp	nsp	DUMPER	RUBBER (RED SILICA GEL)	604-KMD550-117
	6-7		nsp	nsp	DUMPER	RUBBER (PRIMARY COLORS)	604-KMD550-118
	7		00D9410042905	00D9410042905	GEAR	GEAR SLIDE PLATE ASSY	701-KMD550-1603
	7-1		nsp	nsp	GEAR	S.GEAR	100-KMD280-727
	7-2		nsp	nsp	BELT	BELT GEAR	100-KMD280-732B
	7-3		nsp	nsp	GEAR	S.GEAR	100-KMD280-734
	7-4		nsp	nsp	GEAR	GEAR SET	100-KMD550-860D2
	7-7		nsp	nsp	WASHER	WASHER (13*8.1*0.4T)	606-CMP1000-187
	8		00D9410050308	00D9410050308	TRAY	TRAY ASSY	701-DCM280-3311
	8-1		nsp	nsp	LEVER	CORRECTING LEVER ASSY	701-KMD550-1593
	8-2		nsp	nsp	ROLLER	WHEEL	100-KMD280-729
	8-3		nsp	nsp	GEAR	SPIRAL GEAR	100-KMD280-731A
	8-4		nsp	nsp	GEAR	MIDDLE GEAR	100-KMD280-733
	8-5		nsp	nsp	GEAR	TRANSFER GEAR	100-KMD280-736A
	8-6		nsp	nsp	TRAY	BASE	100-KMD550-1214C
	8-7		nsp	nsp	TRAY	DISK	100-KMD550-1215A
	8-8		nsp	nsp	GEAR	DRIVE GEAR	100-KMD550-1216
	8-9		nsp	nsp	SHAFT	SHAFT	200-KMD280-174
	8-10		nsp	nsp	STOPPER	FORWARD GEAR FIXED IRON	300-KMD280-305
	8-11		nsp	nsp	MOTOR	MOTOR FIXED PLATE	300-KMD550-262
	8-12		nsp	nsp	MOTOR	MOTOR (MEN-7E2T5,DC12V)	401-MK7-043A
	8-13		nsp	nsp	SHEET	FIXED SHEET	501-KMD550-1099
	8-14		nsp	nsp	SHEET	FIXED SHEET	501-KMD550-1146
	8-15		nsp	nsp	SPRING	COMECTING SPRING	603-KMD550-199
	8-16		nsp	nsp	WASHER	WASHER (5*3.2*0.25T)	606-H900-052
	8-17		nsp	nsp	WASHER	FIXED CENTER WASHER	606-C426-066
	8-18		nsp	nsp	SHEET	MUTE SHEET	612-KMD510-032
	9		nsp	nsp	CONN. CORD	7P CONN. WIRE ASSY	704-KMD550B-2129
	9-1		00D9580003405	00D9580003405	SW	LEAF SW (LSA-1119H,2PIN)	403-DM11A-020
	9-2		00D9580002105	00D9580002105	SW	LEAF SW (LSA-2127E,3PIN)	403-KMD280-048
	10		nsp	nsp	CONN. CORD	8P CONN. WIRE ASSY	704-KMD550B-2130
	10-1		00D9580003803	00D9580003803	PWB ASSY	PHOTO TRS. PWB ASSY	704-DCM270X-1797
	10-2		00D9580002008	00D9580002008	PWB ASSY	INFRARED EMITTING PWB ASSY	704-DCM270X-1798
	10-3		00D9580003405	00D9580003405	SW	LEAF SW (LSA-1119H,2PIN)	403-DM11A-020
	10-4		00D9580005704	00D9580005704	SW	LEAF SW (LSA-1119F,2PIN)	403-KMD550-087
	11		nsp	nsp	PULLEY	MOTOR PULLEY	100-KMD280-728
	12		nsp	nsp	ARM	SWITCH CONTROL	100-KMD280-730
	13		nsp	nsp	CHASSIS	BOTTOM BASE	100-KMD550-1213A
	14		nsp	nsp	HOLDER	DISK HOLDER	100-KMD550-1219
	15		nsp	nsp	BRACKET	L. FIXED PLATE	300-KMDV280C-263A
	16		nsp	nsp	BRACKET	R. FIXED PLATE	300-KMDV280C-264A
	17		nsp	nsp	BRACKET	STAY R	300-KMD280-265RA

NOTE : *nsp* PART IS LISTED FOR REFERENCE ONLY, MARANTZ WILL NOT SUPPLY THESE PARTS.

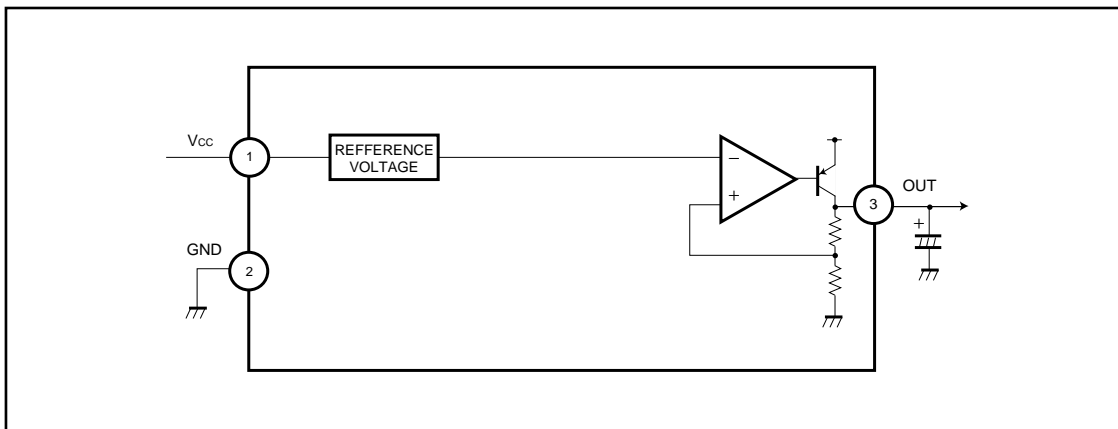
P.C.B. NAME	POS. NO.	VERS. COLOR	PART NO. (FOR EUR)	PART NO. (MZ)	PART NAME	DESCRIPTION
	18		nsp	nsp	BRACKET	STAY L 300-KMD550-265L
	19		nsp	nsp	PLATE	SWIVEL PLATE 300-KMD550-466
	20		nsp	nsp	BRACKET	MAIN PWB BRACKET 300-390-486A
	21		90M-MM001360R	90M-MM001360R	MOTOR	MOTOR (MEN-7E2T5,DC12V) 401-MK7-043A
	22		nsp	nsp	LABEL	LASER BEAM LABEL (25*23MM) 501-1033-428
	23		nsp	nsp	ROD	STEEL WIRE 603-KMD280-200
	24		00D9580001708	00D9580001708	BELT	MOTOR BELT 604-KMD280-094
	25		nsp	nsp	WASHER	WASHER (HIMILON) 612-KT300-007
	26		00M08CW305010	00M08CW305010	MAGNET	MAGNET (30*18*5T,650GM) 613-MK7-002A
	35		nsp	nsp	PWB ASSY	SERVO PWB ASSY 704-4001-6225
	36		nsp	nsp	PWB ASSY	BUFFER PWB ASSY 704-4001-6226
	37	F B	nsp	nsp	PWB ASSY	POWER PWB ASSY 704-4001-6317
	37	/N1B	nsp	nsp	PWB ASSY	POWER PWB ASSY 704-4001-6244
	37	/U1B	nsp	nsp	PWB ASSY	POWER PWB ASSY 704-4001-6228
	38		00M08CW063110	00M08CW063110	ESCUTCHEON	CD DOOR 100-4001U1B-2381
	39		00M08CW057010	00M08CW057010	LEG	FOOT (ABS,KURZ AM4736-615AL) 100-4001-2387
	40		nsp	nsp	SUPPORT	FIXED PILLAR (CU,6*7MM) 200-RMX40-443
	41		nsp	nsp	SUPPORT	HEXAGON PILLAR 200-4001-501
	42		nsp	nsp	BRACKET	BRACKET TRANSFORMER 300-DV300B-443
	43		nsp	nsp	CHASSIS	BOTTOM BASE 300-CDC2050-502B
	44	F B	nsp	nsp	PANEL	BACK BOARD 300-4001F1B-503B
	44	/N1B	nsp	nsp	PANEL	BACK BOARD 300-4001N1B-503B
	44	/U1B	nsp	nsp	PANEL	BACK BOARD 300-4001U1B-503B
	▲ 47	F B	nsp	90M-TS002740R	TRANSF.	# TRANSFORMER FOR F 411-4001-548
	▲ 47	/N1B	90M-TS002750R	90M-TS002750R	TRANSF.	# TRANSFORMER FOR N 411-4001-547
	▲ 47	/U1B	nsp	90M-TS002740R	TRANSF.	# TRANSFORMER FOR U 411-4001-546
	48		90M-YT004940R	90M-YT004940R	TERMINAL	# INLET CORD JACK (VJJ0911E1) 420-4001-221
	52		nsp	nsp	WASHER	WASHER (3*D5.5*0.7T) 606-4001-228
	53		nsp	nsp	BUFFER	PROTECTION MAT 612-HMD5000-065
	54		00M08CW056010	00M08CW056010	BUFFER	FOOT 612-DCM370-067
	55		nsp	nsp	BUFFER	CUSHION (EVA,31.3,T=1) 612-DCM280-215
	56		nsp	nsp	BUFFER	CUSHION 612-4001-241
	67		nsp	nsp	WASHER	PC WASHER 612-DCM390-247
	68		nsp	nsp	HOLDER	WIRE STATOR 504-4001-193
	69		nsp	nsp	HOLDER	WIRE STATOR 504-DJ2500J-047
	70		nsp	nsp	HOLDER	STATOR 504-HDJ7000-032
	71		90M-FC500090R	90M-FC500090R	FERRITE CORE	CORE 415-PROTT1-118
	72		nsp	nsp	WASHER	WASHER 612-900-222
	74		nsp	nsp	PLATE	SEPARATE PLATE FOR 501-4001-1937
	77		nsp	nsp	WASHER	WASHER 501-DCM280-1628
PACKING						
		F B	nsp	00M08CW851110	USER GUIDE	USER GUIDE CC4001 F 502-4001-2021
		/N1B	00M08CW851310	00M08CW851310	USER GUIDE	USER GUIDE CC4001 N 502-4001N-2031
		/U1B	nsp	00M08CW851250	USER GUIDE	USER GUIDE CC4001 U 502-4001U-2017
	4		00MZK08CW0010	00MZK08CW0010	UNIT KIT	REMOTE CONTROLLER RC4001CC 704-4001-6119
	▲ 46	F B	nsp	90M-ZC000530R	MAINS CORD	# 2P MAINS CORD FOR F 409-4001-165
	▲ 46	/N1B	90M-ZC000540R	90M-ZC000540R	MAINS CORD	# 2P MAINS CORD FOR N 409-4001-166
	▲ 46	/U1B	nsp	90M-ZC000550R	MAINS CORD	# 2P MAINS CORD FOR U 409-4001-167
	1		00D9580009807	00D9580009807	SCREW	SCREW ASSY 701-AVD3500K-1668
NOT STANDARD SPARE PART						
			nsp	00M08CW801010	PACKING CASE	GIFT BOX 507-4001-2652
			nsp	00M08CW809010	CUSHION	POLYFOAM L 506-4001-450L
			nsp	00M08CW809020	CUSHION	POLYFOAM R 506-4001-450R
	45		nsp	00M08CW257010	LID	TOP COVER 300-4001-504B
			nsp	90M-ZD000570R	CONN. CORD	2P CINCH CORD L=1M AUDIO 408-CDN34A-028
			nsp	90M-ZD000580R	CONN. CORD	CINCH CORD L=1M ORANGE 408-4001-066

NOTE : "nsp" PART IS LISTED FOR REFERENCE ONLY, MARANTZ WILL NOT SUPPLY THESE PARTS.

13. MICROPROCESSOR AND IC DATA

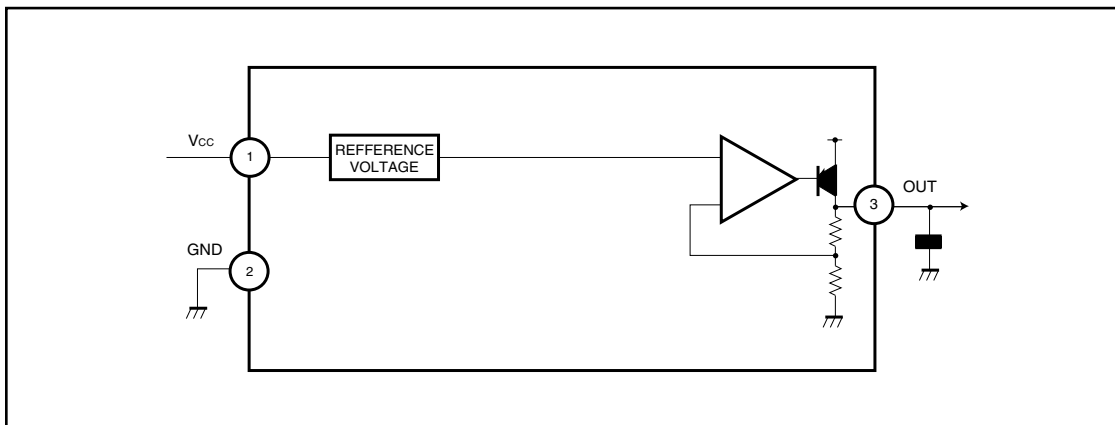
IC01 :

417-CDN34A-314
BA05T



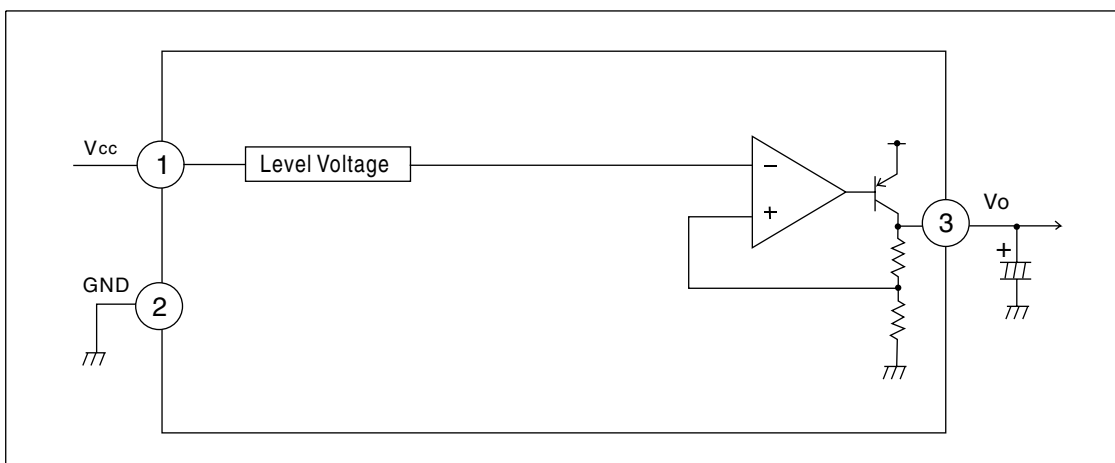
IC02 :

417-HMD5000-282
BA08T



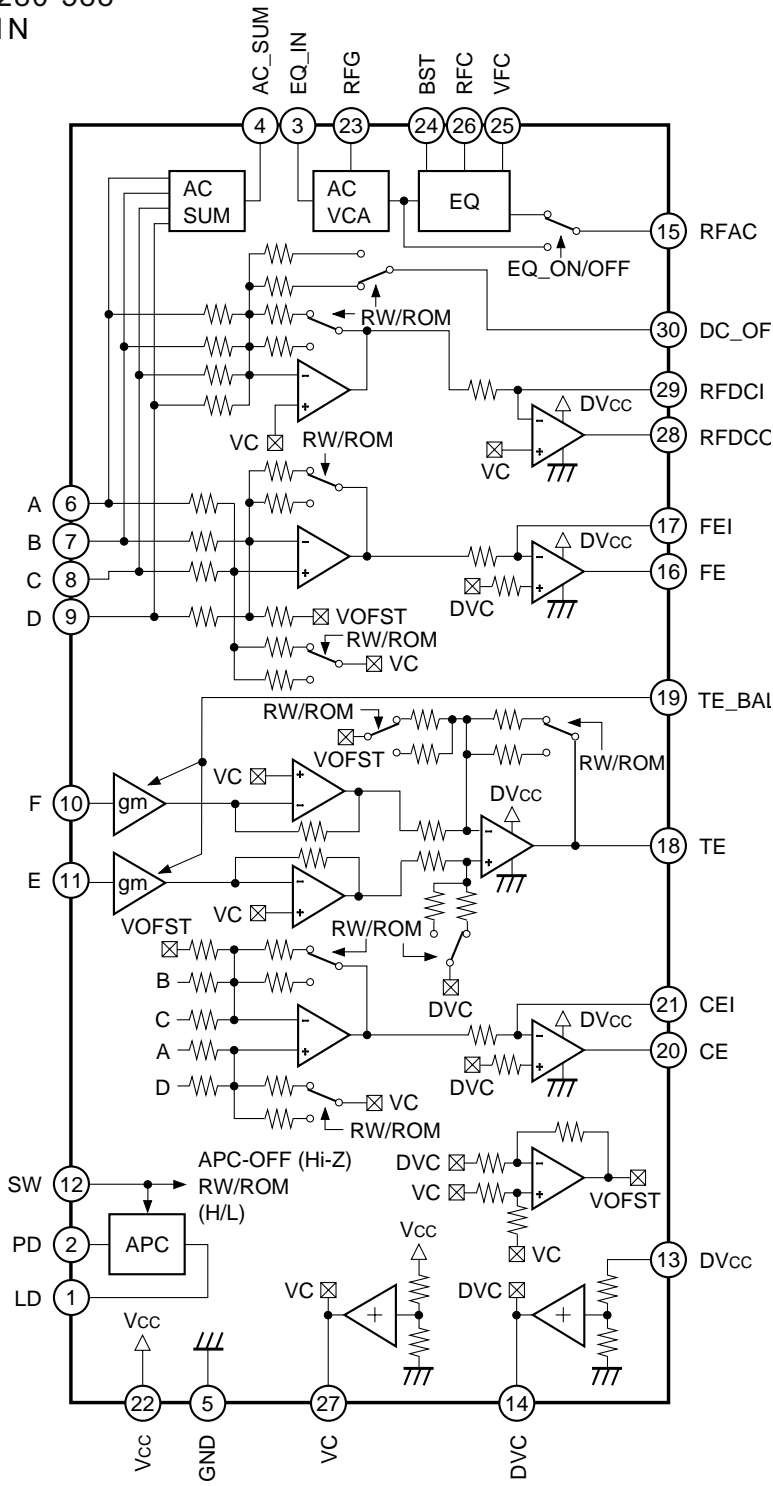
IC03 :

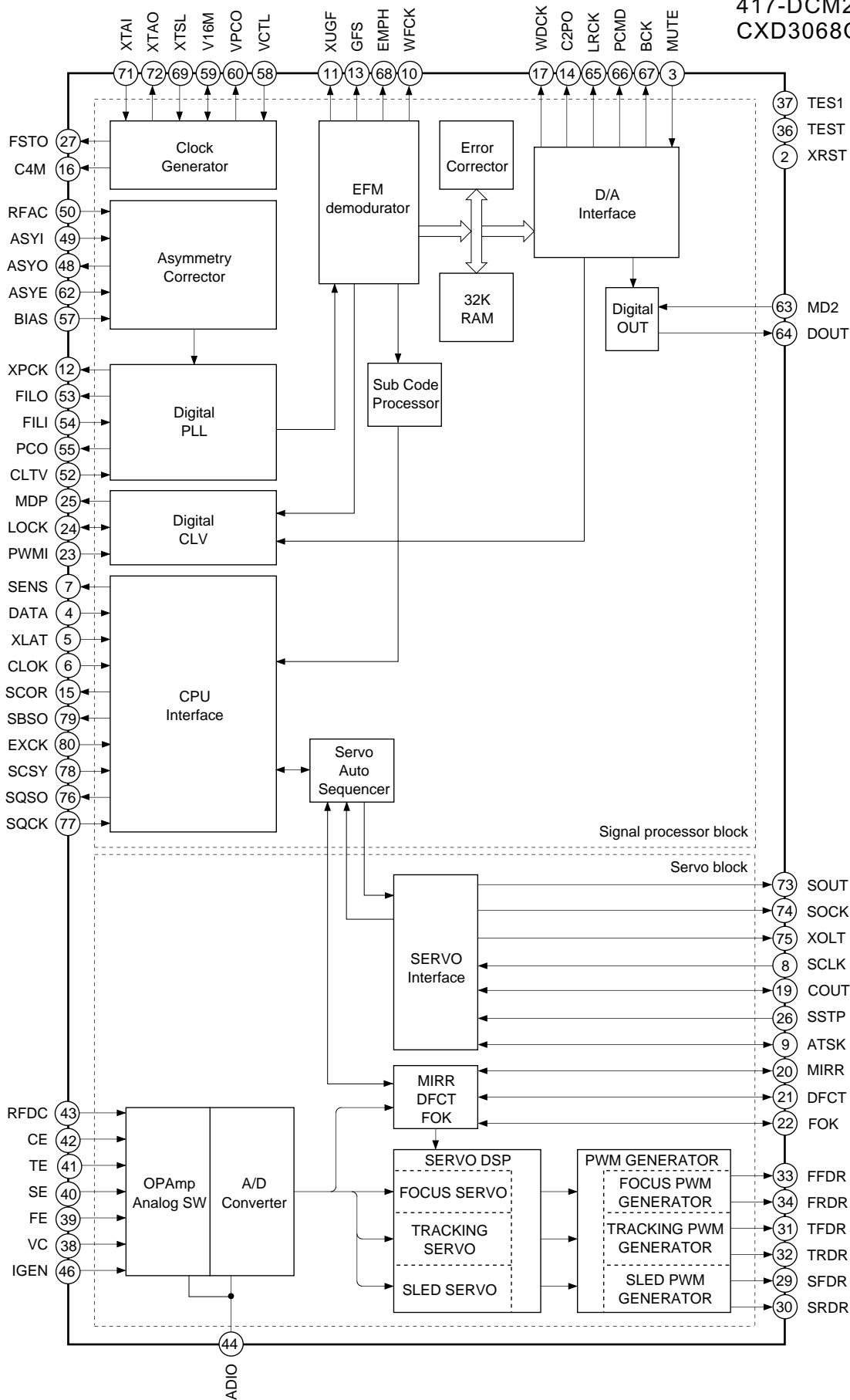
417-HV3500K-253
BA033T



IC101 :

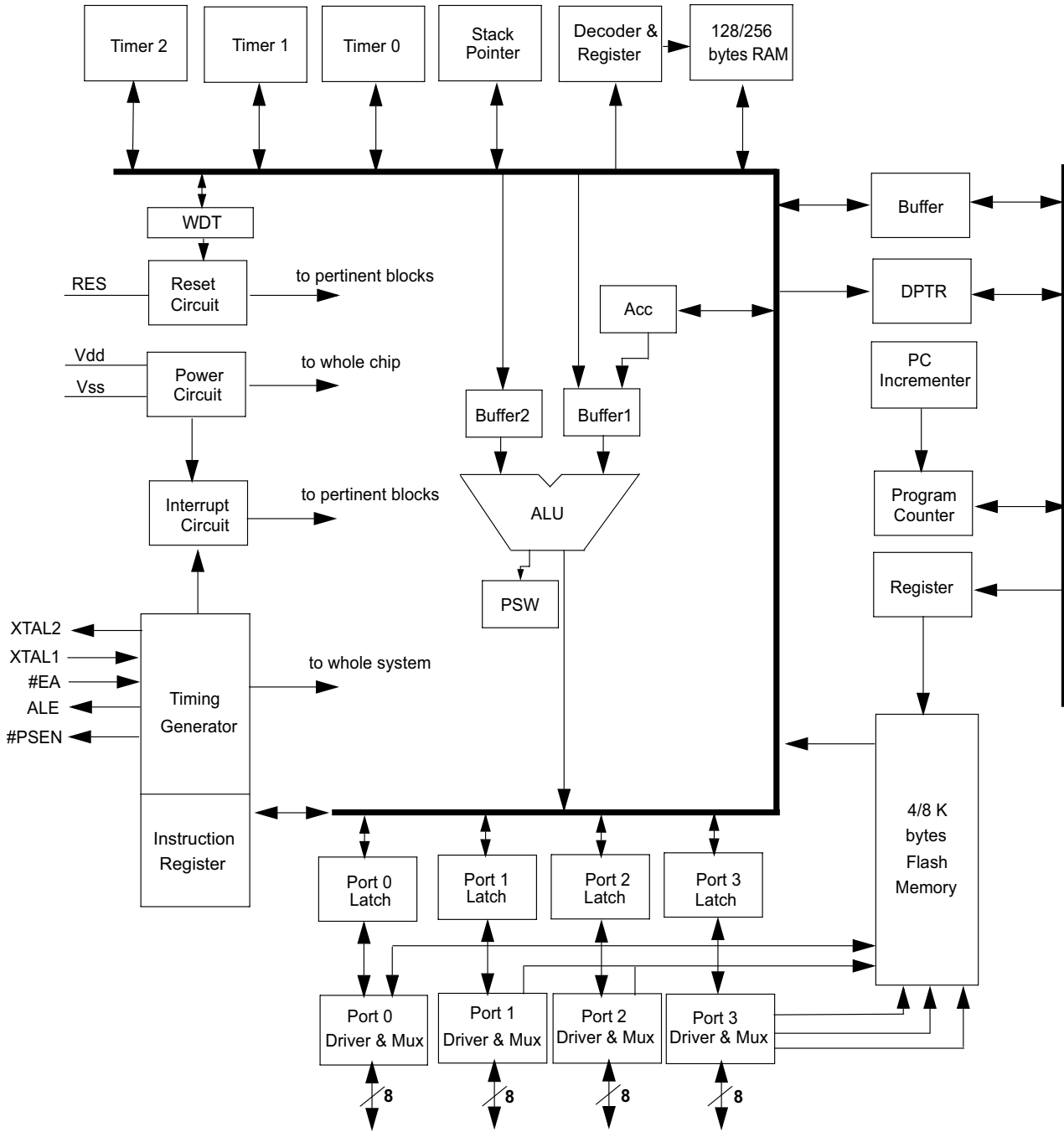
417-DCM280-588
CXA-2581N





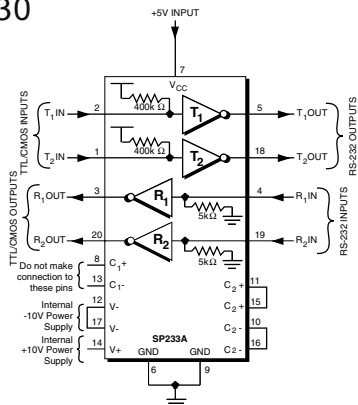
IC103 :

417-HDJ2450-693C
SM8951/SM8952A

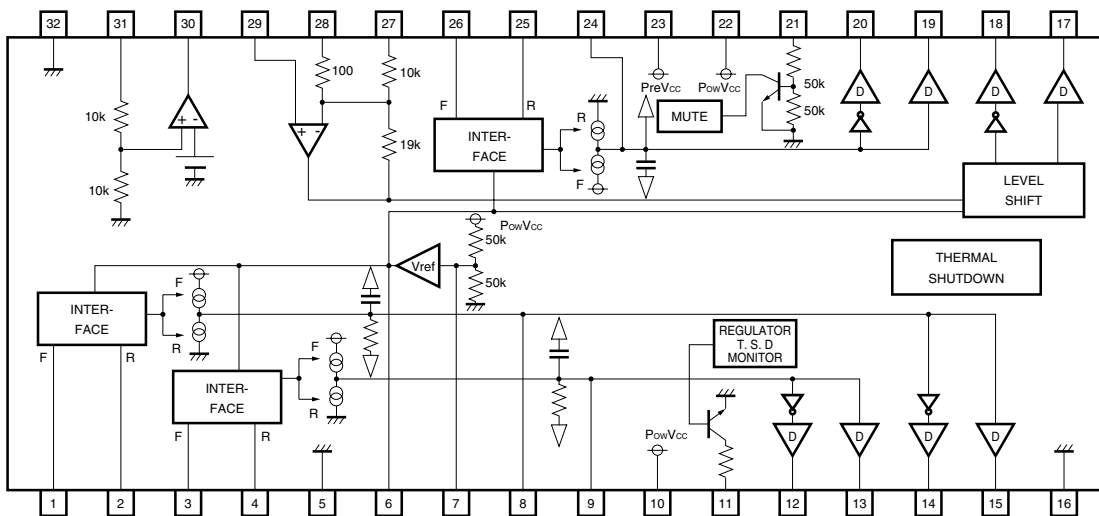


IC104 :

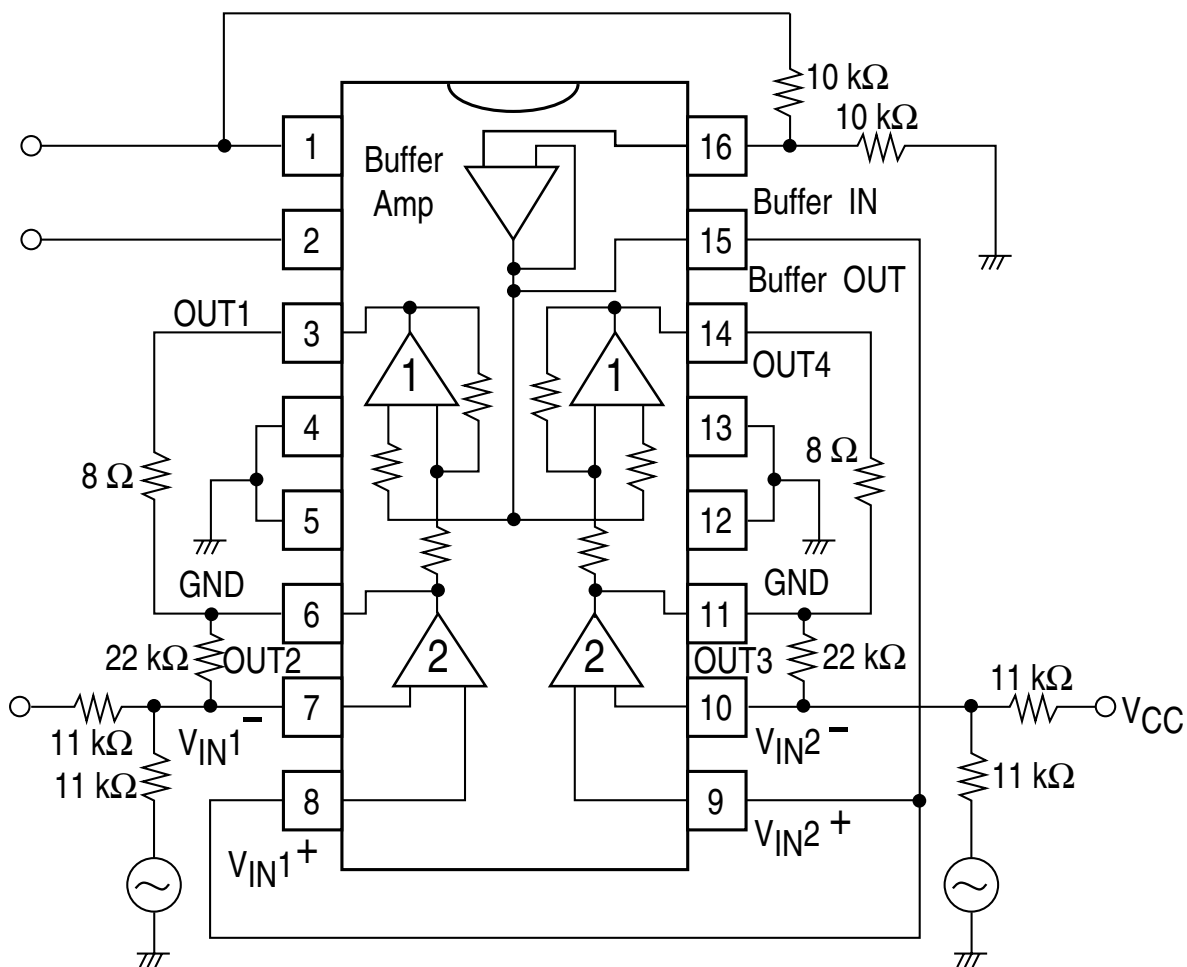
417-MP3-430
SP232ACP



IC105 :
 417-DCM280-596
 BA5979S

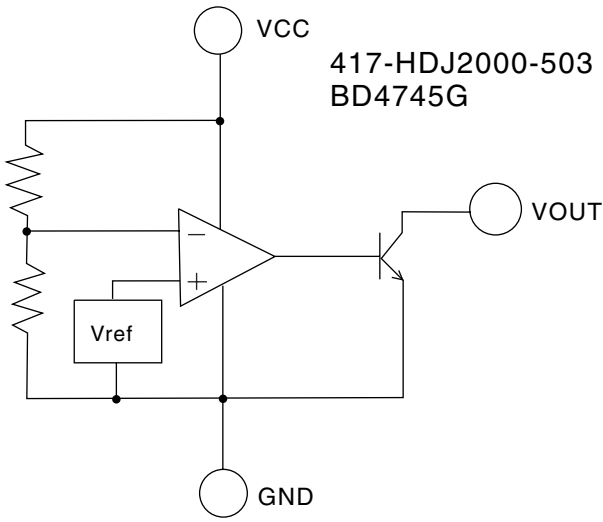


IC106 :
 417-KC220-045 IC(LA6531-E,DIP16F)



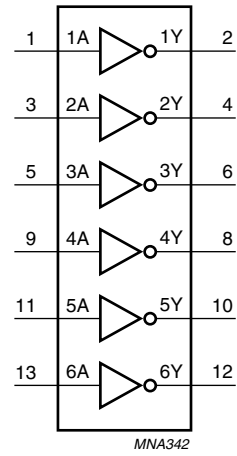
Gain = 12 dB

IC109 :

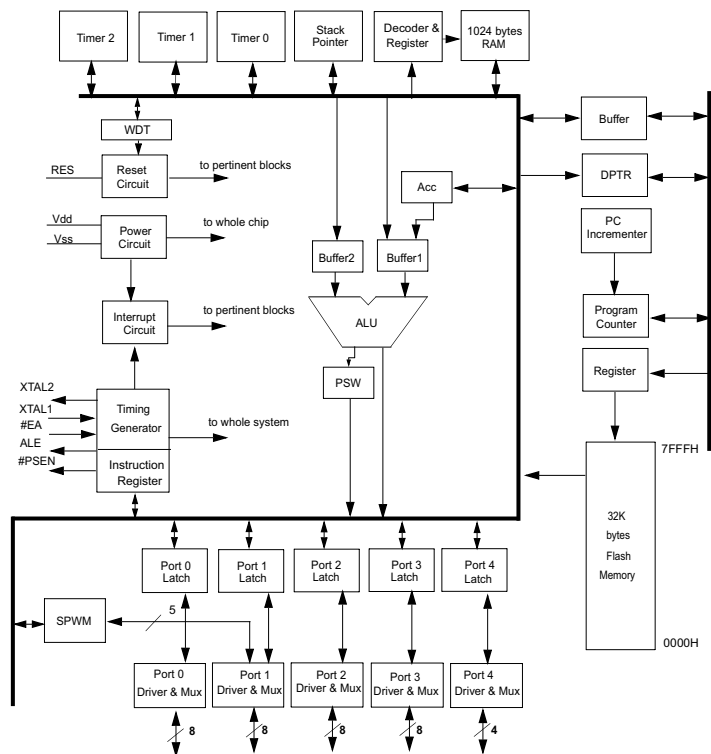
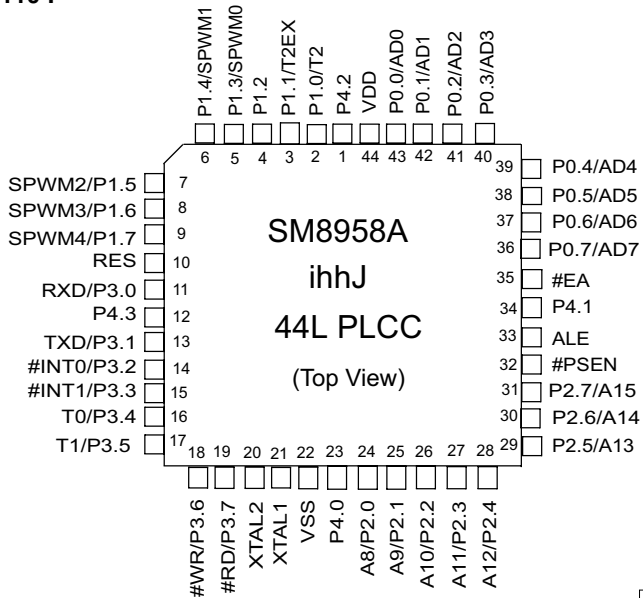


IC111 :

417-DCM370E3-378
74HC04

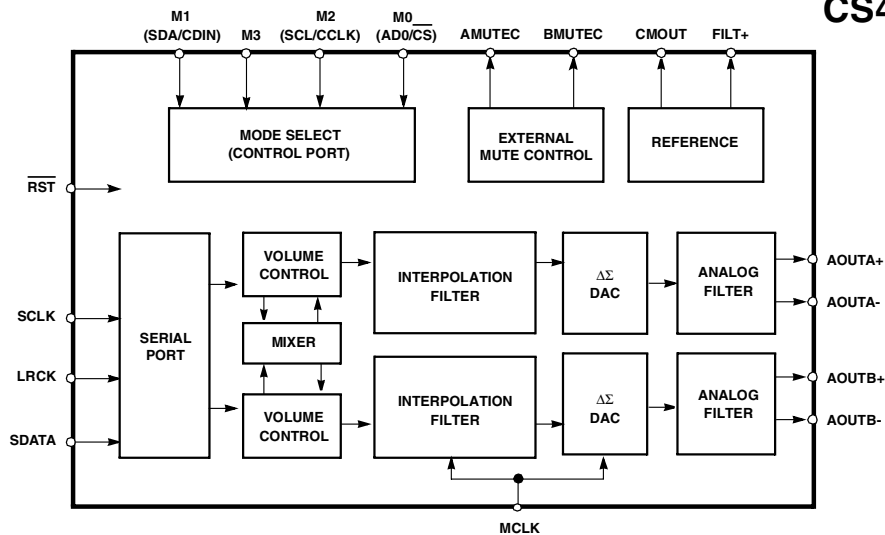


IC110 :



IC112 :

CS4392



$\overline{\text{RST}}$	1	20	AMUTEC
VL	2	19	AOUTA-
SDATA	3	18	AOUTA+
SCLK	4	17	VA
LRCK	5	16	AGND
MCLK	6	15	AOUTB+
M3	7	14	AOUTB-
(SCL/CCLK) M2	8	13	BMUTEC
(SDA/CDIN) M1	9	12	CMOUT
(AD0/CS) M0	10	11	FILT+

$\overline{\text{RST}}$	1	Reset (Input) - Powers down device and resets all internal registers to their default settings.
VL	2	Logic Power (Input) - Positive power for the digital input/output.
SDATA	3	Serial Audio Data (Input) - Input for two's complement serial audio data.
SCLK	4	Serial Clock (Input/Output) - Serial clock for the serial audio interface.
LRCK	5	Left Right Clock (Input/Output) - Determines which channel, Left or Right, is currently active on the serial audio data line.
MCLK	6	Master Clock (Input) - Clock source for the delta-sigma modulator and digital filters.
FILT+	11	Positive Voltage Reference (Output) - Positive reference voltage for the internal sampling circuits.
CMOUT	12	Common Mode Voltage (Output) - Filter connection for internal quiescent voltage.
AMUTEC	20	Mute Control (Output) - The Mute Control pin goes high during power-up initialization, reset, muting, power-down or if the master clock to left/right clock frequency ratio is incorrect.
BMUTEC	13	
AOUTB-	14	Differential Analog Output (Outputs) - The full scale differential analog output level is specified in the Analog Characteristics specification table.
AOUTB+	15	
AOUTA+	18	
AOUTA-	19	
AGND	16	Ground (Input)
VA	17	Analog Power (Input) - Positive power for the analog section.

Control Port Mode Definitions

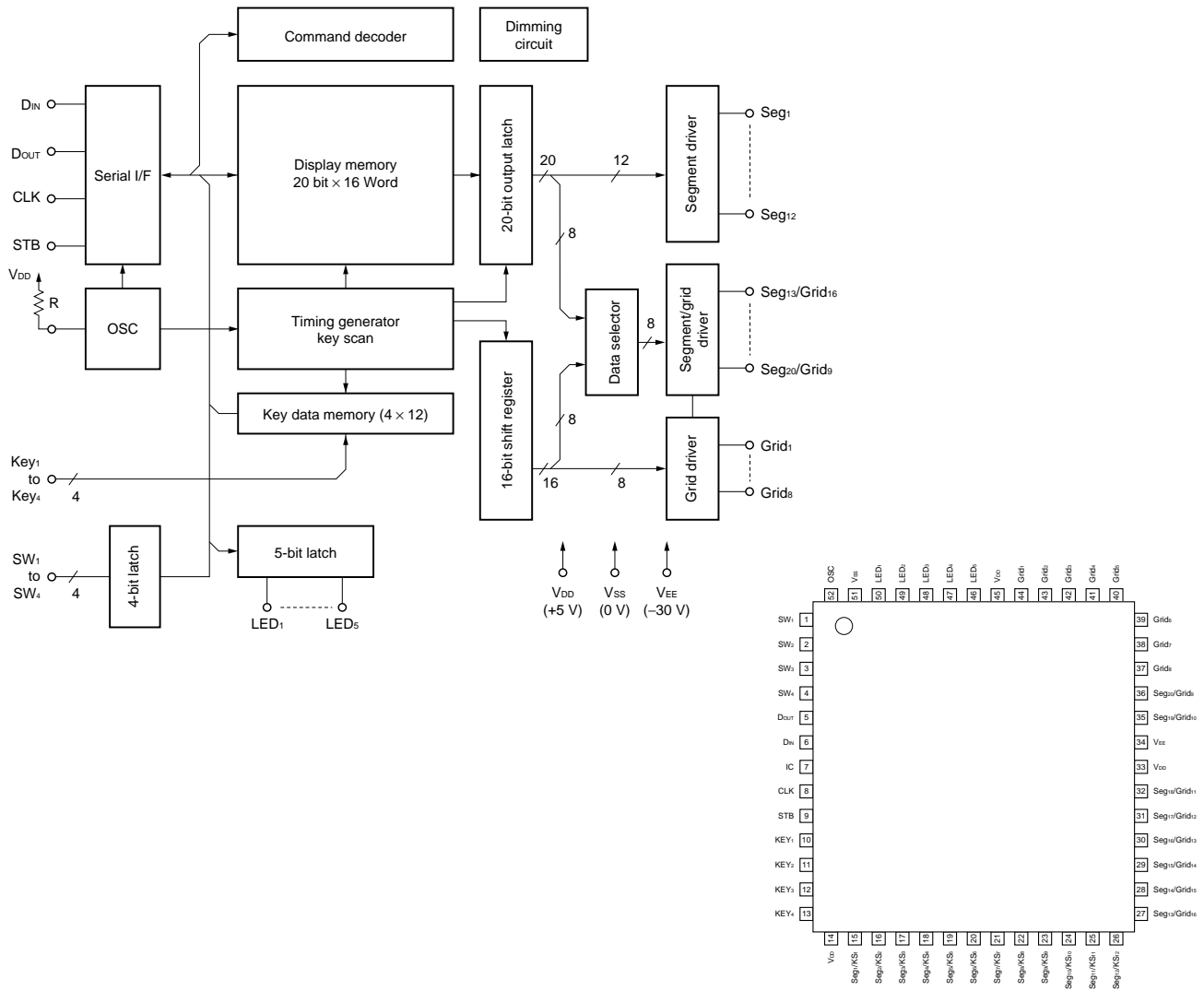
M3	7	Mode Selection (Input) - This pins should be tied to GND level during control port mode.
SCL/CCLK	8	Serial Control Port Clock (Input) - Serial clock for the serial control port.
SDA/CDIN	9	Serial Control Data (Input/Output) - SDA is a data I/O line in I ² C mode. CDIN is the input data line for the control port interface in SPI mode.
AD0/CS	10	Address Bit 0 (I²C) / Control Port Chip Select (SPI) (Input/Output) - AD0 is a chip address pin in I ² C mode; CS is the chip select signal for SPI format.

Stand-Alone Mode Definitions

M3	7	Mode Selection (Input) - Determines the operational mode of the device.
M2	8	
M1	9	
M0	10	

IC401 :

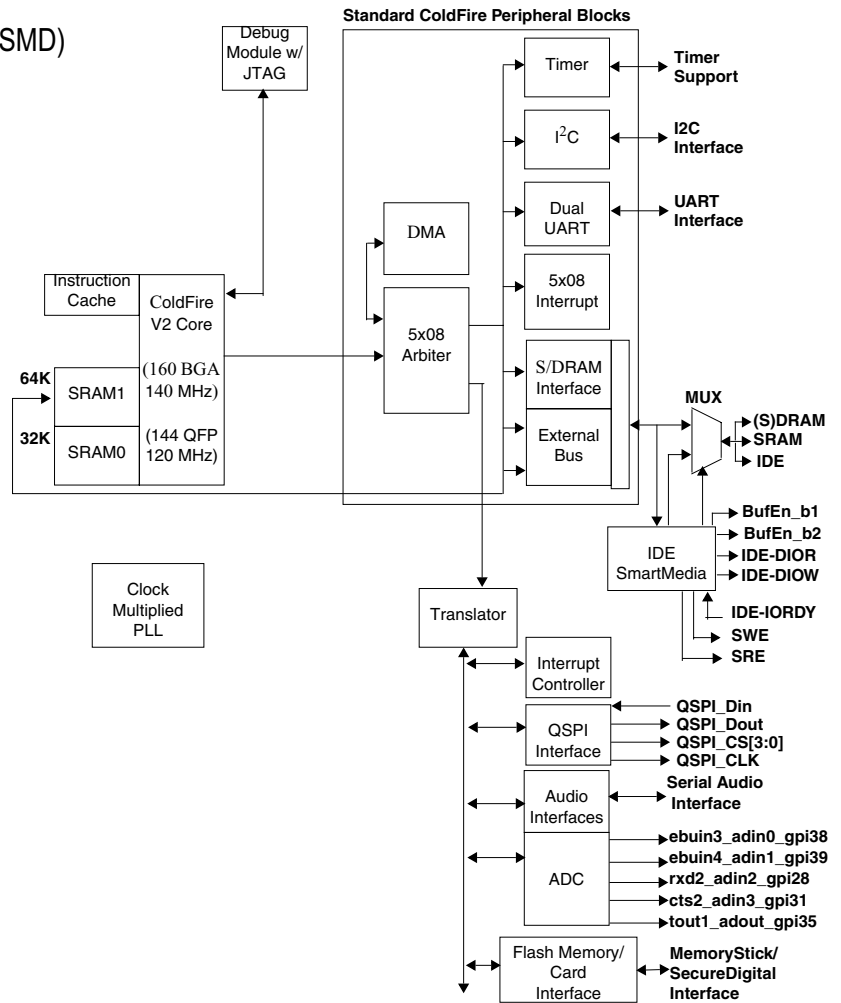
417-HV3500K-250
UPD16311GC



Pin No.	Symbol	Pin Name	Description
6	D _{IN}	Data input	Inputs serial data at rising edge of shift clock, starting from lower bit.
5	D _{OUT}	Data output	Outputs serial data at falling edge of shift clock, starting from lower bit. This is N-ch open-drain output pin.
9	STB	Strobe	Initializes serial interface at rising or falling edge to make μ PD16311 waiting for reception of command. Data input after STB has fallen is processed as command. While command data is processed, current processing is stopped, and serial interface is initialized. While STB is high, CLK is ignored.
8	CLK	Clock input	Reads serial data at rising edge, and outputs data at falling edge.
52	OSC	Oscillator pin	Connect resistor for determining oscillation frequency to this pin.
15 to 26	Seg ₁ /KS ₁ to Seg ₁₂ /KS ₁₂	High-voltage output (segment)	Segment output pins (Dual function as key source)
44 to 37	Grid ₁ to Grid ₆	High-voltage output (grid)	Grid output pins
27 to 32 35 to 36	Seg ₁₃ /Grid ₁₆ to Seg ₂₀ /Grid ₃	High-voltage output (segment/grid)	These pins are selectable for segment or grid output.
50 to 46	LED ₁ to LED ₅	LED output	CMOS output. +20 mA max.
10 to 13	Key ₁ to Key ₄	Key data input	Data input to these pins is latched at end of display cycle.
1 to 4	SW ₁ to SW ₄	Switch input	These pins constitute 4-bit general-purpose input port.
14, 33, 45	V _{DD}	Logic power	5 V \pm 10 %
51	V _{SS}	Logic ground	Connect this pin to GND of system.
34	V _{EE}	Pull-down level	V _{DD} - 35 V max.
7	IC	Internally connected	Be sure to leave this pin open (this pin is at V _{DD} level).

U1 :

417-MCDS4-736 IC(SCF5249LPV120.SMD)



Pin	Name	Type	Description
01	SCL/QSPI_CLK	I/O	IIC clock/QSPI clock pin function select is PLLCR(11)
02	CS0	O	static chip select 0
03	A21	O	SDRAM address / static adr
04	A11	O	SDRAM address / static adr
05	A10	O	SDRAM address / static adr
06	A9	O	SDRAM address / static adr
07	A18	O	SDRAM address / static adr
08	A17	O	SDRAM address / static adr
09	BCLK/GPIO10	I/O	sdram clock output
10	SCLK_OUT/ GPIO15	I/O	MemoryStick/SD
11	BCLKE	O	sdram clock enable output
12	SDA/QSPI_DIN	I/O	IIC data/QSPI data in function select is PLLCR(11)
13	DATA24	I/O	data
14	A22	O	SDRAM address / static adr
15	SDUDQM	O	SDRAM UDQM
16	EF/GPIO19	I/O	error flag input
17	DATA25	I/O	data
18	DATA26	I/O	data
19	DATA27	I/O	data
20	PAD-GND		PAD-GND
21	DATA28	I/O	data
22	DATA29	I/O	data
23	SDATA3/ GPIO56	I/O	SD interface data line
24	DATA30	I/O	data

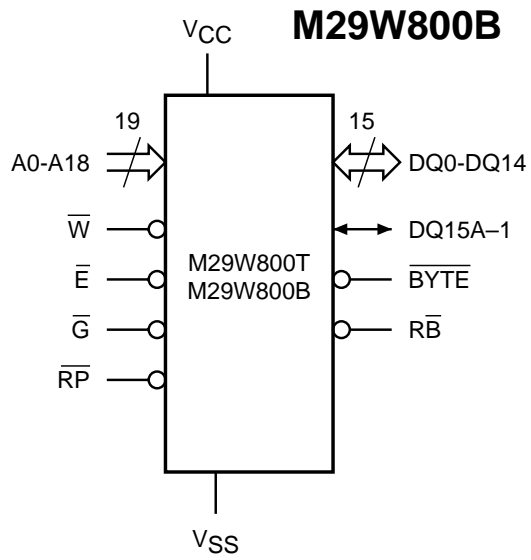
Pin	Name	Type	Description
25	BUFENB1/ GPIO57	I/O	external buffer 1 enable
26	DATA31	I/O	data
27	CORE-VDD		CORE-VDD
28	A13	O	SDRAM address / static adr
29	CORE-GND		CORE-GND
30	A23	O	SDRAM address / static adr
31	A14	O	SDRAM address / static adr
32	A15	O	SDRAM address / static adr
33	A16	O	SDRAM address / static adr
34	PAD-VDD		PAD-VDD
35	A19	O	SDRAM address / static adr
36	A20	O	SDRAM address / static adr
37	TEST2	I	test
38	SDRAM-CS1	O	SDRAM chip select out 1
39	SDATA1_BS1/ GPIO9	I/O	Memory Stick / SD
40	SDRAS	O	SDRAM RAS
41	SDCAS	O	SDRAM CAS
42	SDWE	O	SDRAM write enable
43	SDLQDM	O	SDRAM LDQM
44	GPIO5	I/O	GPIO5
45	QSPI_CS0/ GPIO29	I/O	QSPI chip select 0
46	QSPI_DOUT/ GPIO26	I/O	QSPI data out
47	GPIO6	I/O	GPIO6
48	DATA21	I/O	data

U1 :

Pin	Name	Type	Description
49	DATA19	I/O	data
50	QSPI_CS2/ GPIO21	I/O	QSPI chip select 2
51	DATA20	I/O	data
52	DATA22	I/O	data
53	DATA18	I/O	data
54	DATA23	I/O	data
55	DATA17	I/O	data
56	PADD-VDD		PAD-VDD
57	DATA16	I/O	data
58	CFLG/GPIO18	I/O	CFLG input
59	EBUOUT1/ GPO36	O	audio interfaces EBU out 1
60	CORE-GND		CORE-GND
61	EBUIN3/ADIN0/ GPI38	I	audio interfaces EBU in 3 / AD convertor input0
62	EBUIN2/GPI37	I	audio interfaces EBU in 2
63	CORE-VDD		CORE-VDD
64	SCL2/GPIO3	I/O	IIS2 clock line
65	RSTI	I	Reset
66	TOUT1/ ADOUT/GPO35	O	timer output 1 / AD output
67	LRCK2/GPIO44	O	audio interfaces EBU out 1
68	OE	O	Output Enable
69	SDA2/GPIO55	I/O	IIS2 data
70	SDATAO2/ GPO41	O	audio interfaces serial data output 2
71	SCLK2/GPIO48	I/O	audio interfaces serial clock 2
72	PAD-GND		PAD-GND
73	TEST3	I	test
74	SDATAO1/ GPIO25	I/O	audio interfaces serial data output 1
75	LRCK1	I/O	audio interfaces word clock 1
76	LRCK4/GPIO46	I/O	audio interfaces word clock 4
77	SDATAI4/GPI42	I	audio interfaces serial data in 4
78	SCLK1	I/O	audio interfaces serial clock 1
79	SCLK4/GPIO50	I/O	audio interfaces serial clock 4
80	TA/GPIO20	I/O	Transfer acknowledge
81	SDATAI1	I	audio interfaces serial data in 1
82	EBUIN1/GPI36	I	audio interfaces EBU in 1
83	PLLGRDVDD		PLLGRDVDD
84	PLLGRDGND		PLLGRDGND
85	PLLPADGND		PLLPADGND
86	PLLPADVDD		PLLPADVDD
87	PLLCOREGND		PLLCOREGND
88	PLLCOREVDD		PLLCOREVDD
89	IDE-DIOW/ GPIO14	I/O	ide diow
90	CRIN	I	crystal
91	IDE-DIOR/ GPIO13	I/O	ide dior
92	IDE-IORDY/ GPIO16	I/O	ide iordy
93	MCLK1/GPO39	O	Audio master clock output 1
94	MCLK2/GPO42	O	Audio master clock output 2
95	XTRIM/GPO38	O	audio interfaces X-tal trim
96	TRST/DSCLK	I	Debug / interrupt monitor output 2
97	CORE-VDD		CORE-VDD

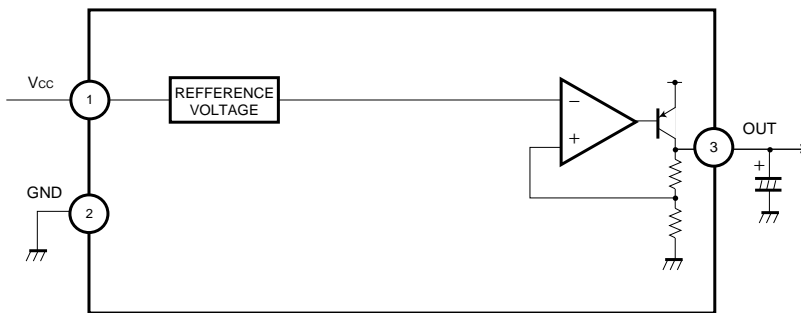
Pin	Name	Type	Description
98	RW_B	O	Bus write enable
99	TMS/BKPT	I	JTAG/debug
100	CORE-GND		CORE-GND
101	TCK	I	JTAG
102	PAD-GND		PAD-GND
103	PST3/GPIO62	I/O	debug
104	CNPSTCLK/ GPO63	O	debug
105	PST1/GPIO60	I/O	debug
106	PAD-VDD		PAD-VDD
107	PST2/GPIO61	I/O	debug
108	PST0/GPIO59	I/O	debug
109	TDI/DSI	I	jtag/debug
110	TEST0	I	test
111	TIN0/GPI33	I	timer input 0
112	HI-Z	I	jtag
113	DDATA3/GPIO4	I/O	debug
114	TOUT0/GPO33	O	timer output 0
115	DDATA1/GPIO1	I/O	debug
116	DDATA2/GPIO2	I/O	debug
117	CTS2_B/ ADIN3/GPI31	I	second UART clear / AD input 3
118	DDATA0/GPIO0	I/O	debug
119	RXD2/GPI28/ ADIN2	I	second UART receive data input / AD input 2
120	TDSO	O	JTAG/debug
121	RTS2_B/ GPO31	O	second UART request to send
122	SDATAI3/GPI41	I	audio interfaces serial data input 3
123	CTS1_B/GPI30	I	first UART clear to send
124	TXD2/GPO28	O	second UART transmit data output
125	RTS1_B/ GPO30	O	first UART request to send
126	EBUIN4/ADIN1/ GPI39	I	audio interfaces EBU input 4 / AD input 1
127	TXD1/GPO27	O	first UART transmit data output
128	128 RXD1/ GPI27	I	first UART receive data input
129	CS1/GPIO58	I/O	chip select 1
130	CORE-GND		CORE-GND
131	A1	O	SDRAM address / static adr
132	TIN1/GPIO23	I/O	Timer input 1
133	A2	O	address
134	A3	O	address
135	PAD-GND		PAD-GND
136	A4	O	address
137	A6	O	address
138	A5	O	address
139	A8	O	address
140	A7	O	address
141	CORE-VDD		CORE-VDD
142	A12	O	address
143	TEST1	I	test
144	PAD-VDD		PAD-VDD

U3 :

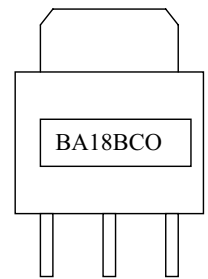


U7 :

417-MCDS4-737 IC(BA18BCOFP-E2,SMD)

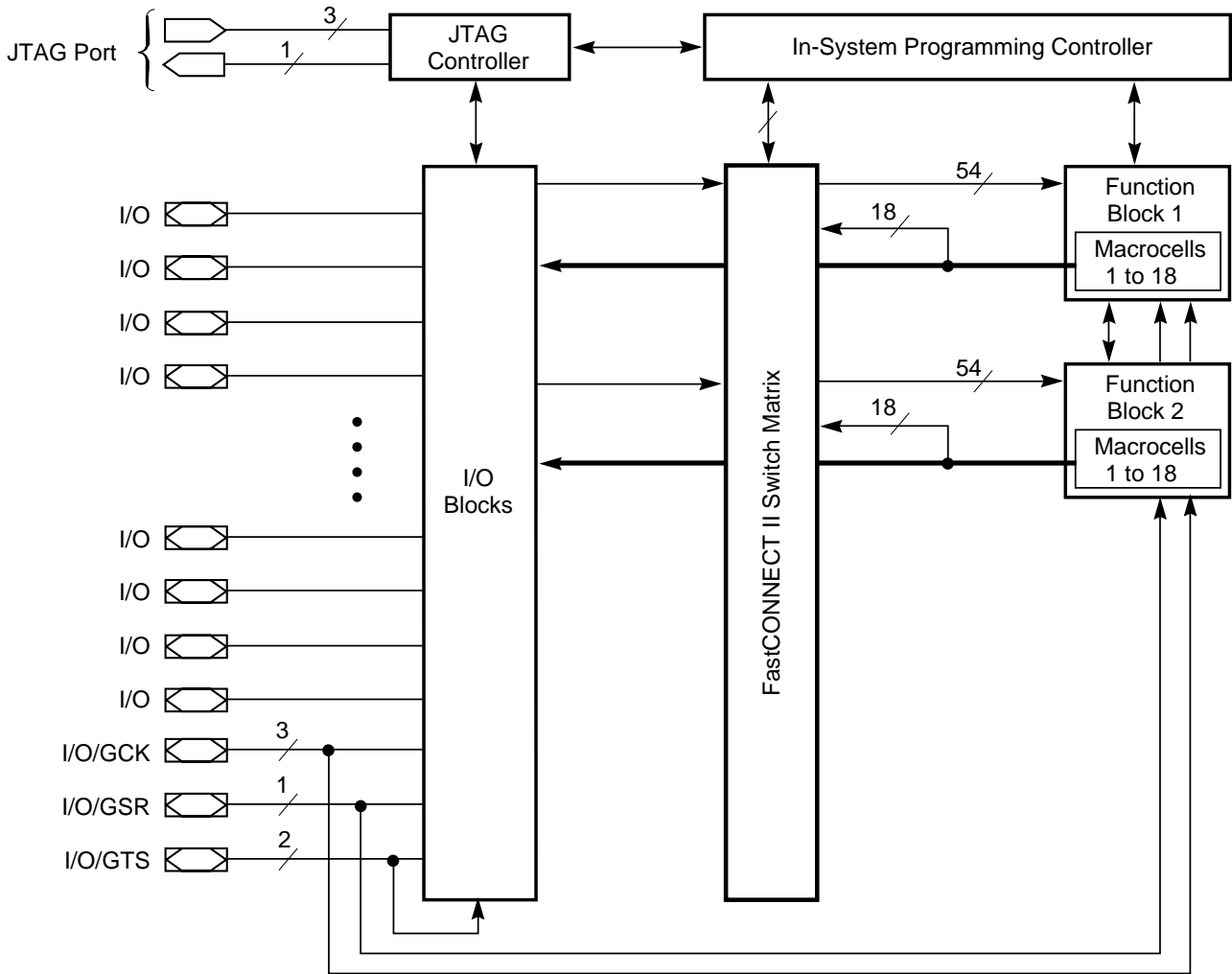


(1) Vcc
(2) GND
(3) OUT



U8 :

417-MCDS4-738 IC(XC9536XL-10VQ44C,SMD)



14. ELECTRICAL PARTS LIST

PARTS INFORMATION

RESISTORS

- 1) 00MGD05 × × × 140, Carbon film fixed resistor, ±5% 1/4W
- 2) 00MGD05 × × × 160, Carbon film fixed resistor, ±5% 1/6W

① — Resistance value

Examples ;

① Resistance value

0.1Ω 001	10Ω 100	1kΩ 102	100kΩ 104
0.5Ω 005	18Ω 180	2.7kΩ 272	680kΩ 684
1Ω 010	100Ω 101	10kΩ 103	1MΩ 105
6.8Ω 068	390Ω 391	22kΩ 223	4.7MΩ 475

Note : Please distinguish 1/4W from 1/6W by the shape of parts used actually.

CAPACITORS

CERAMIC CAP.

- 3) 00MDD1 × × × × 370, Ceramic capacitor
Disc type
Temp.coeff.P350 ~ N1000, 50V
- ② — Capacity value
③ — Tolerance

Examples ;

② Tolerance (Capacity deviation)

±0.25pF.....0
±0.5pF.....1
±5%.....5

* Tolerance of COMMON PARTS handled here are as follows :

0.5pF ~ 5pF ±0.25pF
6pF ~ 10pF ±0.5pF
12pF ~ 560pF ±5%

③ Capacity value

0.5pF 005	3pF 030	100pF 101
1pF 010	10pF 100	220pF 221
1.5pF 015	47pF 470	560pF 561

CERAMIC CAP.

- 4) 00MDK16 × × × 300, High dielectric constant ceramic capacitor
Disc type
Temp.chara. 2B4, 50V
- ④ — Capacity value

Examples ;

④ Capacity value

100pF 101	1000pF 102	10000pF 103
470pF 471	2200pF 222	

ELECTROLY CAP. (Z)

- 5) 00MEA × × × × × 10, Electrolytic capacitor
One-way lead type, Tolerance ±20%
- ⑤ — Working voltage
⑥ — Capacity value

Examples ;

⑤ Capacity value

0.1μF 104	4.7μF 475	100μF ... 107
0.33μF 334	10μF ... 106	330μF ... 337
1μF 105	22μF 226	1100μF ... 118
		2200μF ... 228

⑥ Working voltage

6.3V 006	25V 025
10V 010	35V 035
16V 016	50V 050

FILM CAP. (+)

- 6) 00MDF15 × × × 350 Plastic film capacitor
One-way type, Mylar ±5% 50V
 - 00MDF15 × × × 310 Plastic film capacitor
One-way type, Mylar ±10% 50V
- ⑦ — Capacity value

Examples ;

⑦ Capacity value

0.001μF (1000pF) 102	0.1μF 104
0.0018μF 182	0.56μF 564
0.01μF 103	1μF 105
0.015μF 153	

NOTE ON SAFETY FOR FUSIBLE RESISTOR :

The suppliers and their type numbers of fusible resistors are as follows;

1. KOA Corporation

Part No. (MJI)	Type No. (KOA)	Description
00MNH05 × × × 140	→ RF25S × × × × ΩJ	(±5% 1/4W)
00MNH05 × × × 120	→ RF50S × × × × ΩJ	(±5% 1/2W)
00MNH85 × × × 110	→ RF73B2A × × × × ΩJ	(±5% 1/10W)
00MNH95 × × × 140	→ RF73B2E × × × × ΩJ	(±5% 1/4W)

* Resistance value Resistance value (0.1 – 10kΩ)

2. Matsushita Electronic Components Co., Ltd

Part No. (MJI)	Type No. (MEC)	Description
00MNF05 × × × 140	→ ERD-2FCJ × × ×	(±5% 1/4W)
00MRF05 × × × 140		
00MNF02 × × × 140	→ ERD-2FCG × × ×	(±2% 1/4W)
00MRF02 × × × 140		

* Resistance value * Resistance value

Examples ;

* Resistance value

0.1Ω 001	10Ω 100	1kΩ 102	100kΩ 104
0.5Ω 005	18Ω 180	2.7kΩ 272	680kΩ 684
1Ω 010	100Ω 101	10kΩ 103	1MΩ 105
6.8Ω 068	390Ω 391	22kΩ 223	4.7MΩ 475

ABBREVIATION AND MARKS

ANT. : ANTENNA	BATT. : BATTERY
CAP. : CAPACITOR	CER. : CERAMIC
CONN. : CONNECTING	DIG. : DIGITAL
HP : HEADPHONE	MIC. : MICROPHONE
μ-PRO : MICROPROCESSOR	REC. : RECORDING
RES. : RESISTOR	SPK : SPEAKER
SW : SWITCH	TRANSF. : TRANSFORMER
TRIM. : TRIMMING	TRS. : TRANSISTOR
VAR. : VARIABLE	X'TAL : CRYSTAL

NOTE ON FUSE :

Regarding to all parts of parts code **00MFS20xxx2xx**, replace only with Wickmann-Werke GmbH, Type 372 non glass type fuse.

NOTE ON SAFETY :

Symbol **⚠** Fire or electrical shock hazard. Only original parts should be used to replaced any part marked with symbol **⚠**. Any other component substitution (other than original type), may increase risk of fire or electrical shock hazard.

安全上の注意 :

⚠がついている部品は、安全上重要な部品です。必ず指定されている部品番号の部品を使用して下さい。

P.C.B. NAME	POS. NO.	VERS. COLOR	PART NO. (FOR EUR)	PART NO. (MZ)	PART NAME	DESCRIPTION	
BUFFER PWB ASSY							
BUFFER	C01		nsp	00MDK96104200	CER. CAP.	CHIP (0.1UF/50V,Z TYPE,Y5V)	413-DCM280-773
BUFFER	C02		nsp	00MDK96104200	CER. CAP.	CHIP (0.1UF/50V,Z TYPE,Y5V)	413-DCM280-773
BUFFER	C03		nsp	00MDK96104200	CER. CAP.	CHIP (0.1UF/50V,Z TYPE,Y5V)	413-DCM280-773
BUFFER	C04		nsp	00MDK96104200	CER. CAP.	CHIP (0.1UF/50V,Z TYPE,Y5V)	413-DCM280-773
BUFFER	C05		nsp	00MDK96104200	CER. CAP.	CHIP (0.1UF/50V,Z TYPE,Y5V)	413-DCM280-773
BUFFER	C06		nsp	00MDK96104200	CER. CAP.	CHIP (0.1UF/50V,Z TYPE,Y5V)	413-DCM280-773
BUFFER	C07		nsp	00MDK96104200	CER. CAP.	CHIP (0.1UF/50V,Z TYPE,Y5V)	413-DCM280-773
BUFFER	C08		nsp	00MDK96104200	CER. CAP.	CHIP (0.1UF/50V,Z TYPE,Y5V)	413-DCM280-773
BUFFER	C09		nsp	00MDK96104200	CER. CAP.	CHIP (0.1UF/50V,Z TYPE,Y5V)	413-DCM280-773
BUFFER	C10		nsp	00MDK96104200	CER. CAP.	CHIP (0.1UF/50V,Z TYPE,Y5V)	413-DCM280-773
BUFFER	C11		nsp	00MDK96104200	CER. CAP.	CHIP (0.1UF/50V,Z TYPE,Y5V)	413-DCM280-773
BUFFER	C12		nsp	00MDK96104200	CER. CAP.	CHIP (0.1UF/50V,Z TYPE,Y5V)	413-DCM280-773
BUFFER	C13		nsp	00MDK96104200	CER. CAP.	CHIP (0.1UF/50V,Z TYPE,Y5V)	413-DCM280-773
BUFFER	C14		nsp	00MDK96104200	CER. CAP.	CHIP (0.1UF/50V,Z TYPE,Y5V)	413-DCM280-773
BUFFER	C18		nsp	00MDK96104200	CER. CAP.	CHIP (0.1UF/50V,Z TYPE,Y5V)	413-DCM280-773
BUFFER	C19		nsp	00MDK96104200	CER. CAP.	CHIP (0.1UF/50V,Z TYPE,Y5V)	413-DCM280-773
BUFFER	C20		nsp	00MDK96104200	CER. CAP.	CHIP (0.1UF/50V,Z TYPE,Y5V)	413-DCM280-773
BUFFER	C21		nsp	00MDK96104200	CER. CAP.	CHIP (0.1UF/50V,Z TYPE,Y5V)	413-DCM280-773
BUFFER	C22		nsp	00MDK96104200	CER. CAP.	CHIP (0.1UF/50V,Z TYPE,Y5V)	413-DCM280-773
BUFFER	C23		nsp	00MDK96104200	CER. CAP.	CHIP (0.1UF/50V,Z TYPE,Y5V)	413-DCM280-773
BUFFER	C25		nsp	00MDK96104200	CER. CAP.	CHIP (0.1UF/50V,Z TYPE,Y5V)	413-DCM280-773
BUFFER	C26		nsp	00MEJ10701010	ELECT CAP.	100UF/10V,M,5*7,MINI	413-HMA2200-5017
BUFFER	C27		nsp	00MDK96104200	CER. CAP.	CHIP (0.1UF/50V,Z TYPE,Y5V)	413-DCM280-773
BUFFER	C28		nsp	00MEJ10701010	ELECT CAP.	100UF/10V,M,5*7,MINI	413-HMA2200-5017
BUFFER	C29		nsp	00MDK96104200	CER. CAP.	CHIP (0.1UF/50V,Z TYPE,Y5V)	413-DCM280-773
BUFFER	C31		nsp	00MDK96104200	CER. CAP.	CHIP (0.1UF/50V,Z TYPE,Y5V)	413-DCM280-773
BUFFER	C37		nsp	00MDK96104200	CER. CAP.	CHIP (0.1UF/50V,Z TYPE,Y5V)	413-DCM280-773
BUFFER	CN106 TO CN106A		nsp	90M-YU002200R	FPC	12P 1.0 FFC (L=140MM)	406-4001-836
BUFFER	CN106A		90M-YJ003030R	90M-YJ003030R	CONN.	12P 1.0 FFC CONN. (52207-1285)	404-4001-2235
BUFFER	CN107 TO CN107A		nsp	90M-YU002210R	FPC	12P 1.0 FFC (L=50MM)	406-4001-837
BUFFER	CN107A		90M-YJ003030R	90M-YJ003030R	CONN.	12P 1.0 FFC CONN. (52207-1285)	404-4001-2235
BUFFER	CN109 TO CN109A		nsp	90M-YU002220R	FPC	5P 1.0 FFC (L=60MM)	406-4001-839
BUFFER	CN109A		90M-YJ003040R	90M-YJ003040R	CONN.	5P 1.0 FFC CONN. (52207-0585)	404-900-2090
BUFFER	R02		nsp	00MNN05472610	CHIP RES.	CHIP (4.7K OHM,1/10W,J,TP,50V)	412-CDVD2001-523
BUFFER	R03		nsp	00MNN05472610	CHIP RES.	CHIP (4.7K OHM,1/10W,J,TP,50V)	412-CDVD2001-523
BUFFER	R04		nsp	00MNN05221610	CHIP RES.	CHIP (220 OHM,1/10W,J,TP 50V)	412-CDVD2001-521
BUFFER	R07		nsp	00MNN05221610	CHIP RES.	CHIP (220 OHM,1/10W,J,TP 50V)	412-CDVD2001-521
BUFFER	R08		nsp	00MNN05221610	CHIP RES.	CHIP (220 OHM,1/10W,J,TP 50V)	412-CDVD2001-521
BUFFER	R09		nsp	00MNN05221610	CHIP RES.	CHIP (220 OHM,1/10W,J,TP 50V)	412-CDVD2001-521
BUFFER	R10		nsp	00MNN05221610	CHIP RES.	CHIP (220 OHM,1/10W,J,TP 50V)	412-CDVD2001-521
BUFFER	R11		nsp	00MNN05221610	CHIP RES.	CHIP (220 OHM,1/10W,J,TP 50V)	412-CDVD2001-521
BUFFER	R12		nsp	00MNN05221610	CHIP RES.	CHIP (220 OHM,1/10W,J,TP 50V)	412-CDVD2001-521
BUFFER	R13		nsp	00MNN05221610	CHIP RES.	CHIP (220 OHM,1/10W,J,TP 50V)	412-CDVD2001-521
BUFFER	R19		nsp	00MNN05103610	CHIP RES.	CHIP (10K OHM,1/10W,J,TP,50V)	412-CDVD2001-534
BUFFER	R26		nsp	00MNN05103610	CHIP RES.	CHIP (10K OHM,1/10W,J,TP,50V)	412-CDVD2001-534
BUFFER	R27		nsp	00MNN05103610	CHIP RES.	CHIP (10K OHM,1/10W,J,TP,50V)	412-CDVD2001-534
BUFFER	R29		nsp	00MNN05271610	CHIP RES.	CHIP (270 OHM,1/10W,J,TP,50V)	412-007USB-698
BUFFER	RB01		90M-BW000420R	90M-BW000420R	RES. COMPO.	(10K OHM,J,8P7R,RA TYPE)	412-DJ1-420
BUFFER	U1		00D9410048909	00D9410048909	IC	IC (SCF5249LPV120,QFP TQ-144)	417-MCDS4-736
BUFFER	U2		00D9410049005	00D9410049005	IC	IC (K4S641632E-TC,TSOP-54)	417-CDN88-501
BUFFER	U3		90M-HS08CW30R	90M-HS08CW30R	U-PRO	M29W800DB70N6Y	704-4001-6230
BUFFER	U7		00MHC98J18210	00MHC98J18210	IC	IC (BA18BC0FP-E2,SMD)	417-MCDS4-737
BUFFER	U8		90M-HC109690R	90M-HC109690R	IC	XC9536XL-10VQG44C (73E4/1)	704-M510-5564
CONTROL PWB ASSY							
CTRL			nsp	nsp	CORD	GROUND WIRE (L=110MM,BLACK)	406-DCM270E3-479
CTRL			nsp	nsp	BUFFER	CUSHION FOR SENSOR	612-DCM370-071
CTRL			nsp	nsp	WASHER	VFD WASHER	612-HV3700K-059
CTRL	C101		nsp	00D9410024606	CER. CAP.	CHIP (0.1UF/ 50V,Z,Y5V)	413-DV330-313
CTRL	C102		nsp	00D9410024606	CER. CAP.	CHIP (0.1UF/ 50V,Z,Y5V)	413-DV330-313

NOTE : *nsp* PART IS LISTED FOR REFERENCE ONLY, MARANTZ WILL NOT SUPPLY THESE PARTS.

P.C.B. NAME	POS. NO.	VERS. COLOR	PART NO. (FOR EUR)	PART NO. (MZ)	PART NAME	DESCRIPTION	
CTRL	C401		nsp	00MEJ10701010	ELECT CAP.	100UF/10V,M,5*7,MINI	413-HMA2200-5017
CTRL	C402		nsp	00D9410024606	CER. CAP.	CHIP (0.1UF/ 50V,Z,Y5V)	413-DV330-313
CTRL	C403		nsp	00MEJ10603510	ELECT CAP.	10UF/35V,M,4*7,MINI	413-810-919
CTRL	C404		nsp	90M-EJ000110R	ELECT CAP.	47UF/25V,M,6.3*7,MINI	413-SPPW3-237
CTRL	C405		nsp	00D9410024606	CER. CAP.	CHIP (0.1UF/ 50V,Z,Y5V)	413-DV330-313
CTRL	C406		nsp	00MDD55470300	CER. CAP.	CHIP (47PF/50V,J,NPO)	413-AMC110D-5094
CTRL	CN101		nsp	nsp	CONN.	4P SOCKET (S4B-PH-K,P=2MM)	404-DCM270E3-878
CTRL	CN108A		90M-YJ003050R	90M-YJ003050R	CONN.	14P 1.0 FFC CONN. (52207-1485)	404-EFX2-1860
CTRL	D402		00MHZ21303210	00MHZ21303210	DIODE	SWITCHING (1SS355,UMD2,SMD)	414-CD1000-075
CTRL	D403		00MHZ21303210	00MHZ21303210	DIODE	SWITCHING (1SS355,UMD2,SMD)	414-CD1000-075
CTRL	D404		00MHZ21303210	00MHZ21303210	DIODE	SWITCHING (1SS355,UMD2,SMD)	414-CD1000-075
CTRL	D405		00MHZ21303210	00MHZ21303210	DIODE	SWITCHING (1SS355,UMD2,SMD)	414-CD1000-075
CTRL	IC401		00D9410048501	00D9410048501	IC	IC (UPD1631GC-AB6 QFP52)	417-HV3500K-250A
CTRL	J1		nsp	nsp	CORD	JUMPER	406-3113-175
CTRL	J10		nsp	nsp	CORD	JUMPER	406-3113-175
CTRL	J11		nsp	nsp	CORD	JUMPER	406-3113-175
CTRL	J12		nsp	nsp	CORD	JUMPER	406-3113-175
CTRL	J13		nsp	nsp	CORD	JUMPER	406-3113-175
CTRL	J14		nsp	nsp	CORD	JUMPER	406-3113-175
CTRL	J15		nsp	nsp	CORD	JUMPER	406-3113-175
CTRL	J16		nsp	nsp	CORD	JUMPER	406-3113-175
CTRL	J17		nsp	nsp	CORD	JUMPER	406-3113-175
CTRL	J18		nsp	nsp	CORD	JUMPER	406-3113-175
CTRL	J19		nsp	nsp	CORD	JUMPER	406-3113-175
CTRL	J2		nsp	nsp	CORD	JUMPER	406-3113-175
CTRL	J20		nsp	nsp	CORD	JUMPER	406-3113-175
CTRL	J21		nsp	nsp	CORD	JUMPER	406-3113-175
CTRL	J22		nsp	nsp	CORD	JUMPER	406-3113-175
CTRL	J23		nsp	nsp	CORD	JUMPER	406-3113-175
CTRL	J3		nsp	nsp	CORD	JUMPER	406-3113-175
CTRL	J4		nsp	nsp	CORD	JUMPER	406-3113-175
CTRL	J5		nsp	nsp	CORD	JUMPER	406-3113-175
CTRL	J6		nsp	nsp	CORD	JUMPER	406-3113-175
CTRL	J7		nsp	nsp	CORD	JUMPER	406-3113-175
CTRL	J8		nsp	nsp	CORD	JUMPER	406-3113-175
CTRL	J9		nsp	nsp	CORD	JUMPER	406-3113-175
CTRL	MD401		90M-HW100810R	90M-HW100810R	PHOTO UNIT	RECEIVER (RPM6936,RAIP-A3,V4)	416-4001-296
CTRL	R401		00MNI05563110	00MNI05563110	CHIP RES.	CHIP (56K OHM,1/8W,J,TP,150V)	412-DV330-337
CTRL	R403		00D9410025346	00D9410025346	CHIP RES.	CHIP (10K OHM,1/8W,J,TP 150V)	412-DV330-306
CTRL	R405		nsp	nsp	RES.	CARBON (47 OHM,1/4W,J,T-52)	412-PMSE1-156
CTRL	R406		00MNI05470110	00MNI05470110	CHIP RES.	CHIP (47 OHM,1/8W,J,TP,150V)	412-DV330-319
CTRL	R407		00MNI05470110	00MNI05470110	CHIP RES.	CHIP (47 OHM,1/8W,J,TP,150V)	412-DV330-319
CTRL	R408		00MNI05470110	00MNI05470110	CHIP RES.	CHIP (47 OHM,1/8W,J,TP,150V)	412-DV330-319
CTRL	RB401		90M-BW000440R	90M-BW000440R	RES. COMPO.	(10K OHM,J,5P4R,RA TYPE)	412-HDJ200-264
CTRL	SW401		00D9580018306	00D9580018306	SW	TACT SW (H=5MM)	403-DCM270X-101A
CTRL	SW402		00D9580018306	00D9580018306	SW	TACT SW (H=5MM)	403-DCM270X-101A
CTRL	SW403		00D9580018306	00D9580018306	SW	TACT SW (H=5MM)	403-DCM270X-101A
CTRL	SW404		00D9580018306	00D9580018306	SW	TACT SW (H=5MM)	403-DCM270X-101A
CTRL	SW405		00D9580018306	00D9580018306	SW	TACT SW (H=5MM)	403-DCM270X-101A
CTRL	SW406		00D9580018306	00D9580018306	SW	TACT SW (H=5MM)	403-DCM270X-101A
CTRL	SW407		00D9580018306	00D9580018306	SW	TACT SW (H=5MM)	403-DCM270X-101A
CTRL	SW408		00D9580018306	00D9580018306	SW	TACT SW (H=5MM)	403-DCM270X-101A
CTRL	SW409		00D9580018306	00D9580018306	SW	TACT SW (H=5MM)	403-DCM270X-101A
CTRL	SW410		00D9580018306	00D9580018306	SW	TACT SW (H=5MM)	403-DCM270X-101A
CTRL	SW411		00D9580018306	00D9580018306	SW	TACT SW (H=5MM)	403-DCM270X-101A
CTRL	SW412		00D9580018306	00D9580018306	SW	TACT SW (H=5MM)	403-DCM270X-101A
CTRL	SW415		00D9580018306	00D9580018306	SW	TACT SW (H=5MM)	403-DCM270X-101A
CTRL	SW416		00D9580018306	00D9580018306	SW	TACT SW (H=5MM)	403-DCM270X-101A
CTRL	VFD401		90M-HQ300720R	90M-HQ300720R	DISPLAY	VFD (HNA-07MM23)	410-DCM280-217
CTRL	W01 TO W01A		nsp	nsp	CORD	2P PARALLEL WIRE (L=100MM)	406-4001-844
					INFRARED EMITTING PWB ASSY		
INFRA			nsp	nsp	SPACER	ROUND PLASTIC SPACER (302A)	605-DCM270-055
INFRA	D01		00D9580018403	00D9580018403	PHOTO UNIT	INFRARED EMITTING (LTE-4206C)	410-DCM270X-132
INFRA	R01		nsp	nsp	RES.	CARBON (1K OHM,1/6W,J,T-26)	412-3113-078
					PHOTO TRANSISTOR PWB ASSY		
PH TRS.	Q01		00D9580018209	00D9580018209	PHOTO UNIT	PHOTO TRS. (LTR-301)	416-DCM270X-120

NOTE : *nsp* PART IS LISTED FOR REFERENCE ONLY, MARANTZ WILL NOT SUPPLY THESE PARTS.

P.C.B. NAME	POS. NO.	VERS. COLOR	PART NO. (FOR EUR)	PART NO. (MZ)	PART NAME	DESCRIPTION	
PHONES PWB ASSY							
PHONE	C303		nsp	00MEJ10701010	ELECT CAP.	100UF/10V,M,5*7,MINI	413-HMA2200-5017
PHONE	C304		nsp	00MEJ10701010	ELECT CAP.	100UF/10V,M,5*7,MINI	413-HMA2200-5017
PHONE	C305		nsp	00MDD95221300	CER. CAP.	CHIP (220PF/50V,TYPE NPO)	413-007USB-787
PHONE	C306		nsp	00MDD95221300	CER. CAP.	CHIP (220PF/50V,TYPE NPO)	413-007USB-787
PHONE	C307		nsp	00MDK96102300	CER. CAP.	CHIP (1000PF/50V,K TYPE,X7R)	413-DCM280-768
PHONE	C308		nsp	00MDK96102300	CER. CAP.	CHIP (1000PF/50V,K TYPE,X7R)	413-DCM280-768
PHONE	C309		nsp	00MDK96104200	CER. CAP.	CHIP (0.1UF/50V,Z TYPE,Y5V)	413-DCM280-773
PHONE	C311		nsp	90M-EJ000110R	ELECT CAP.	47UF/25V,M,6.3*7,MINI	413-SPPW3-237
PHONE	C312		nsp	90M-EJ000110R	ELECT CAP.	47UF/25V,M,6.3*7,MINI	413-SPPW3-237
PHONE	C313		nsp	00MDK96103300	CER. CAP.	CHIP (0.01UF/50V,K TYPE,X7R)	413-DCM280-771
PHONE	C314		nsp	00MDK96102300	CER. CAP.	CHIP (1000PF/50V,K TYPE,X7R)	413-DCM280-768
PHONE	CN301		nsp	nsp	CONN.	7P SOCKET (B7B-XH-A,P=2.5MM)	404-DV300-507
PHONE	CN302		nsp	nsp	CONN.	6P SOCKET (B6B-PH-K-S,P=2MM)	404-3113-052
PHONE	IC301		00MHC10016090	00MHC10016090	IC	IC (NJM4556AD)	417-3113-018
PHONE	J01		00D9410025320	00D9410025320	CHIP RES.	CHIP (0 OHM,1/8W,1206,J,TP,150V)	412-DJ3000-414
PHONE	J02		nsp	nsp	CORD	JUMPER	406-3113-175
PHONE	J03		nsp	nsp	CORD	JUMPER	406-3113-175
PHONE	J04		00D9410025320	00D9410025320	CHIP RES.	CHIP (0 OHM,1/8W,1206,J,TP,150V)	412-DJ3000-414
PHONE	JK301		90M-YT004920R	90M-YT004920R	TERMINAL	H/P JACK (6.4,JY-6313-02-030G)	420-CDMIX1-086
PHONE	L301		00D9580016900	00D9580016900	FERRITE CORE	RH03506ST-B,65OHM/100MHZ	415-HV3500K-090
PHONE	L302		00D9580016900	00D9580016900	FERRITE CORE	RH03506ST-B,65OHM/100MHZ	415-HV3500K-090
PHONE	L303		00D9580016900	00D9580016900	FERRITE CORE	RH03506ST-B,65OHM/100MHZ	415-HV3500K-090
PHONE	Q301		00D9410046406	00D9410046406	TRS.	TRS. (2SC4695-TB-E,SOT23/CP)	416-DAIA-273
PHONE	Q302		00D9410046406	00D9410046406	TRS.	TRS. (2SC4695-TB-E,SOT23/CP)	416-DAIA-273
PHONE	Q303		00D9410046406	00D9410046406	TRS.	TRS. (2SC4695-TB-E,SOT23/CP)	416-DAIA-273
PHONE	Q304		00D9410046406	00D9410046406	TRS.	TRS. (2SC4695-TB-E,SOT23/CP)	416-DAIA-273
PHONE	R303		nsp	00MNN05123610	CHIP RES.	CHIP (12K OHM,1/10W,J,TP,50V)	412-007USB-702
PHONE	R304		nsp	00MNN05123610	CHIP RES.	CHIP (12K OHM,1/10W,J,TP,50V)	412-007USB-702
PHONE	R305		nsp	00MNN05153610	CHIP RES.	CHIP (15K OHM,1/10W,J,TP,50V)	412-007USB-687
PHONE	R306		nsp	00MNN05153610	CHIP RES.	CHIP (15K OHM,1/10W,J,TP,50V)	412-007USB-687
PHONE	R307		nsp	00MNN05680610	CHIP RES.	CHIP (68OHM,1/10W,J,TP,50V)	412-900-1016
PHONE	R308		nsp	00MNN05680610	CHIP RES.	CHIP (68OHM,1/10W,J,TP,50V)	412-900-1016
PHONE	R309		nsp	00MNN05102610	CHIP RES.	CHIP (1K OHM,1/10W,J,TP,50V)	412-CDVD2001-540
PHONE	R310		nsp	00MNN05102610	CHIP RES.	CHIP (1K OHM,1/10W,J,TP,50V)	412-CDVD2001-540
PHONE	R311		nsp	00MNN05472610	CHIP RES.	CHIP (4.7K OHM,1/10W,J,TP,50V)	412-CDVD2001-523
PHONE	R312		nsp	00MNN05472610	CHIP RES.	CHIP (4.7K OHM,1/10W,J,TP,50V)	412-CDVD2001-523
PHONE	R313		nsp	00MNN05472610	CHIP RES.	CHIP (4.7K OHM,1/10W,J,TP,50V)	412-CDVD2001-523
PHONE	R314		nsp	00MNN05472610	CHIP RES.	CHIP (4.7K OHM,1/10W,J,TP,50V)	412-CDVD2001-523
PHONE	R315		nsp	00MNN05104610	CHIP RES.	CHIP (100K OHM,1/10W,J,TP,50V)	412-CDVD2001-537
PHONE	R316		nsp	00MNN05104610	CHIP RES.	CHIP (100K OHM,1/10W,J,TP,50V)	412-CDVD2001-537
PHONE	R317		nsp	00MNN05680610	CHIP RES.	CHIP (68OHM,1/10W,J,TP,50V)	412-900-1016
PHONE	R318		nsp	00MNN05680610	CHIP RES.	CHIP (68OHM,1/10W,J,TP,50V)	412-900-1016
PHONE	R319		nsp	00MNN05220610	CHIP RES.	CHIP (22 OHM,1/10W,F,TP,50V)	412-CDVD2001-554
PHONE	R320		nsp	00MNN05220610	CHIP RES.	CHIP (22 OHM,1/10W,F,TP,50V)	412-CDVD2001-554
POWER PWB ASSY							
POWER			nsp	nsp	SUPPORT	HEXAGN PILLAR	200-4001-501
POWER			nsp	nsp	BUFFER	CUSHION	612-4001-241
POWER			nsp	nsp	BRACKET	BRACKET (L TYPE)	300-HDJ7000-472
POWER			nsp	nsp	HEATSINK	HEAT SINK	425-2002-001
POWER			nsp	nsp	SHEET	SEGREGATE SHEET	501-4001-1922
POWER			nsp	nsp	JACK	CANOE CLIPS (MB-1S)	504-HF6011-5011
POWER			nsp	nsp	SCREW	(SAE1018,BTP,3*8)	602-2002-077
POWER			nsp	nsp	SCREW	(3*5 P=0.5)	602-B300-041
POWER	C01		nsp	nsp	CER. CAP.	CERAMIC (0.1UF/50V,Z,Y5V)	413-3113-035
POWER	C02		nsp	nsp	CER. CAP.	CERAMIC (0.1UF/50V,Z,Y5V)	413-3113-035
POWER	C03		nsp	90M-OA000520R	ELECT CAP.	1000UF/16V,M,10*17	413-F202-001
POWER	C04		nsp	90M-OA000520R	ELECT CAP.	1000UF/16V,M,10*17	413-F202-001
POWER	C05		nsp	00MOA10701020	ELECT CAP.	100UF/10V,M,5*11	413-3113-046
POWER	C06		nsp	00MOA10701020	ELECT CAP.	100UF/10V,M,5*11	413-3113-046
POWER	C07		nsp	nsp	CER. CAP.	CERAMIC (0.1UF/50V,Z,Y5V)	413-3113-035
POWER	C08		nsp	00MOA47801620	ELECT CAP.	4700UF/16V,M,16*26	413-DV300-293
POWER	C09		nsp	nsp	CER. CAP.	CERAMIC (0.1UF/50V,Z,Y5V)	413-3113-035
POWER	C10		nsp	00MOA10701020	ELECT CAP.	100UF/10V,M,5*11	413-3113-046
POWER	C11		nsp	nsp	CER. CAP.	CERAMIC (0.1UF/50V,Z,Y5V)	413-3113-035
POWER	C12		nsp	00MOA10701020	ELECT CAP.	100UF/10V,M,5*11	413-3113-046
POWER	C13		nsp	00MOA22701620	ELECT CAP.	220UF/16V,M,6.3*11	413-KT300-102

NOTE : "nsp" PART IS LISTED FOR REFERENCE ONLY, MARANTZ WILL NOT SUPPLY THESE PARTS.

P.C.B. NAME	POS. NO.	VERS. COLOR	PART NO. (FOR EUR)	PART NO. (MZ)	PART NAME	DESCRIPTION	
POWER	C14		nsp	nsp	CER. CAP.	CERAMIC (0.1UF/50V,Z,Y5V)	413-3113-035
POWER	C15		nsp	00MOA10705020	ELECT CAP.	100UF/50V,M,8*11	413-HC1421FR-277
POWER	C16		nsp	00D9410024211	ELECT CAP.	100UF/35V,M,6.3*11	413-HMD5000-356
POWER	C17		nsp	00MOA10603520	ELECT CAP.	10UF/35V,M,5*11	413-HC1421FR-227
POWER	C18		nsp	nsp	CER. CAP.	CERAMIC (0.1UF/50V,Z,Y5V)	413-3113-035
POWER	C19		nsp	00MOA22801620	ELECT CAP.	2200UF/16V	413-3113-053
POWER	C20		nsp	nsp	CER. CAP.	CERAMIC (0.1UF/50V,Z,Y5V)	413-3113-035
POWER	C21		nsp	nsp	CER. CAP.	CERAMIC (0.022UF/50V,Z,Z5V)	413-501-105
POWER	C22		nsp	nsp	CER. CAP.	CERAMIC (0.1UF/50V,Z,Y5V)	413-3113-035
POWER	C23		nsp	nsp	CER. CAP.	CERAMIC (0.1UF/50V,Z,Y5V)	413-3113-035
POWER	C24		nsp	nsp	CER. CAP.	CERAMIC (0.1UF/50V,Z,Y5V)	413-3113-035
POWER	C25		nsp	00MOA10701020	ELECT CAP.	100UF/10V,M,5*11	413-3113-046
POWER	C26		nsp	00MOA22701020	ELECT CAP.	220UF/10V,M,6.3*11	413-KC220-119
POWER	▲ C27		90M-DK100940R	90M-DK100940R	CER. CAP.	! SAFETY (4700PF/250V,M,,Y5V)	413-1431-104
POWER	C28		nsp	nsp	CER. CAP.	CERAMIC (0.1UF/50V,Z,Y5V)	413-3113-035
POWER	C29		nsp	nsp	CER. CAP.	CERAMIC (0.1UF/50V,Z,Y5V)	413-3113-035
POWER	C30		nsp	nsp	CER. CAP.	CERAMIC (0.1UF/50V,Z,Y5V)	413-3113-035
POWER	CN01		nsp	nsp	CONN.	2P 3.96 CONN. WIRE (L=710MM)	404-4001-2285
POWER	CN01		nsp	nsp	CONN.	2P 3.96 (8674-3N2,ANGLE,RED)	404-4001-2291
POWER	CN02		nsp	nsp	CONN.	2P SOCKET (P=3.96MMS)	404-BEAT6-1598
POWER	CN03		nsp	nsp	CONN.	5P SOCKET (P=3.75MM)	404-HV3363K-555
POWER	CN04		nsp	nsp	CONN.	4P SOCKET (CKM2501WV-4P)	404-HV3500K-629A
POWER	▲ D01		90M-HE200400R	90M-HE200400R	DIODE	! BRIDGE (W04M,1.5A/200V)	414-QMX1-052
POWER	▲ D02		90M-HE200400R	90M-HE200400R	DIODE	! BRIDGE (W04M,1.5A/200V)	414-QMX1-052
POWER	▲ D03		90M-HE200400R	90M-HE200400R	DIODE	! BRIDGE (W04M,1.5A/200V)	414-QMX1-052
POWER	D05		00D9580018607	00D9580018607	DIODE	1N4002TP,1A/100V,DO-41	414-DV300-5014
POWER	D06		00MHD20002000	00MHD20002000	DIODE	1SS133-T77,300MW,40V,DO-34	414-3113-005
POWER	D09		00D9580018607	00D9580018607	DIODE	1N4002TP,1A/100V,DO-41	414-DV300-5014
POWER	FS01		nsp	nsp	JACK	CLIPS (FC-1206/WL-210A,15A)	420-KT350A-004
POWER	▲ FS01	F B	nsp	90M-FS001400R	FUSE	# FUSE T500mAL 250V JPN	422-KT350A-003
POWER	▲ FS01	/N1B	90M-FS001390R	90M-FS001390R	FUSE	# FUSE T315mAL 250V EUR	422-280E2-043
POWER	▲ FS01	/U1B	nsp	90M-FS001410R	FUSE	# FUSE 500mA 250V USA	422-270X-033
POWER	FS01		nsp	nsp	COVER	FUSE COVER	504-DJ2500J-046
POWER	IC01		00MHC3690521F	00MHC3690521F	IC	IC (BA05T,3PIN)	417-CDN34A-314
POWER	IC02		00D9410045407	00D9410045407	IC	IC (BA08T 3PIN)	417-HMD5000-282
POWER	IC03		00MHC3890509F	00MHC3890509F	IC	IC 7805	417-KC730-123
POWER	IC04		00MHC36J3321F	00MHC36J3321F	IC	IC (BA033T/FP 3.3V TO220FP 3PIN)	417-HV3500K-253
POWER	IC05		00MHC3890809F	00MHC3890809F	IC	IC NJM7808	417-HTV8023KA-5006
POWER	IC06		00MHC3990809F	00MHC3990809F	IC	IC (NJM7908FA DIP TYPE)	417-DV300-182
POWER	J01		nsp	nsp	CORD	JUMPER	406-3113-175
POWER	J02		nsp	nsp	CORD	JUMPER	406-3113-175
POWER	J03		nsp	nsp	CORD	JUMPER	406-3113-175
POWER	J04		nsp	nsp	CORD	JUMPER	406-3113-175
POWER	J05		nsp	nsp	CORD	JUMPER	406-3113-175
POWER	J06		nsp	nsp	CORD	JUMPER	406-3113-175
POWER	J07		nsp	nsp	CORD	JUMPER	406-3113-175
POWER	J08		nsp	nsp	CORD	JUMPER	406-3113-175
POWER	J09		nsp	nsp	CORD	JUMPER	406-3113-175
POWER	J10		nsp	nsp	CORD	JUMPER	406-3113-175
POWER	J11		nsp	nsp	CORD	JUMPER	406-3113-175
POWER	J12		nsp	nsp	CORD	JUMPER	406-3113-175
POWER	J13		nsp	nsp	CORD	JUMPER	406-3113-175
POWER	Q05		00D9580015901	00D9580015901	TRS.	TRS. (2SB892S,MP)	416-1360S-017
POWER	Q06		00MBA10007210	00MBA10007210	TRS.	TRS. (DTA114ES)	416-HMA2200-080
POWER	Q07		90M-HT400500R	90M-HT400500R	TRS.	TRS. (2SD1207,MP)	416-1360S-016
POWER	Q08		00MHX327121A0	00MHX327121A0	TRS.	TRS. (2SC2712-GR,2-3F1A)	416-CTB200-166
POWER	R01		nsp	nsp	RES.	CARBON (1K OHM,1/4W,J,T-52)	412-3113-080
POWER	R02		nsp	nsp	RES.	CARBON (4.7K OHM,1/6W,J,T-26)	412-3113-055
POWER	R03		nsp	nsp	RES.	CARBON (1K OHM,1/6W,J,T-26)	412-3113-078
POWER	R04		nsp	nsp	RES.	CARBON (3.3K OHM,1/6W,J,T-26)	412-3113-057
POWER	R05		nsp	nsp	RES.	CARBON (100 OHM,1/6W,J,T-26)	412-3113-060
POWER	R06		nsp	nsp	RES.	CARBON (100 OHM,1/6W,J,T-26)	412-3113-060
POWER	R07		nsp	nsp	RES.	CARBON (220 OHM,1/6W,J,T-26)	412-3113-058
POWER	R08		nsp	nsp	RES.	CARBON (10K OHM,1/6W,J,T-26)	412-3113-068
POWER	▲ RLY01		90M-LY000420R	90M-LY000420R	RELAY	! RELAY	415-4001-276
POWER	▲ TX02	F B	nsp	90M-TS002720R	TRANSF.	# TRANSFORMER (AC100V)	411-4001-534
POWER	▲ TX02	/N1B	90M-TS002750R	90M-TS002750R	TRANSF.	# TRANSFORMER (AC230V)	411-4001-545

NOTE : "nsp" PART IS LISTED FOR REFERENCE ONLY, MARANTZ WILL NOT SUPPLY THESE PARTS.

P.C.B. NAME	POS. NO.	VERS. COLOR	PART NO. (FOR EUR)	PART NO. (MZ)	PART NAME	DESCRIPTION	
POWER	▲ TX02	/U1B	nsp	90M-TS002740R	TRANSF.	# TRANSFORMER (AC120V)	411-4001-544
POWER	W05		nsp	nsp	CORD	8P 2.0 CONN. WIRE (L=150MM)	404-4001-2283
POWER	W06		nsp	nsp	CORD	9P 2.0 CONN. WIRE (L=150MM)	404-4001-2284
POWER	ZD01		90M-HD302340R	90M-HD302340R	ZENER DIODE	(MTZJ27-D,1/2W,T-77)	414-DCM270E3-093
POWER	ZD02		00MHD30681000	00MHD30681000	ZENER DIODE	(MTZJ6.8-C,1/2W,T-77)	414-KC720-016
POWER	ZD03		00MHD30561000	00MHD30561000	ZENER DIODE	(MTZJ5.6-B,1/2W,T-77)	414-HT8033-032
SERVO PWB ASSY							
SERVO	C101		nsp	00MEJ10701010	ELECT CAP.	100UF/10V,M,5*7,MINI	413-HMA2200-5017
SERVO	C102		nsp	00MEJ10701010	ELECT CAP.	100UF/10V,M,5*7,MINI	413-HMA2200-5017
SERVO	C103		nsp	00MDK96104200	CER. CAP.	CHIP (0.1UF/50V,Z TYPE,Y5V)	413-DCM280-773
SERVO	C104		nsp	00MEJ10701010	ELECT CAP.	100UF/10V,M,5*7,MINI	413-HMA2200-5017
SERVO	C105		nsp	00MDK96104200	CER. CAP.	CHIP (0.1UF/50V,Z TYPE,Y5V)	413-DCM280-773
SERVO	C106		nsp	00MDK96104200	CER. CAP.	CHIP (0.1UF/50V,Z TYPE,Y5V)	413-DCM280-773
SERVO	C107		nsp	00MDD95150300	CER. CAP.	CHIP (15PF/50V,J TYPE,NPO)	413-007USB-781
SERVO	C108		nsp	00MEJ10701010	ELECT CAP.	100UF/10V,M,5*7,MINI	413-HMA2200-5017
SERVO	C109		nsp	00MEJ10701010	ELECT CAP.	100UF/10V,M,5*7,MINI	413-HMA2200-5017
SERVO	C110		nsp	nsp	CER. CAP.	CERAMIC (220PF/50V,K,Y5P)	413-3113-032
SERVO	C111		nsp	nsp	CER. CAP.	CERAMIC (0.1UF/50V,Z,Y5V)	413-3113-035
SERVO	C112		nsp	nsp	CER. CAP.	CERAMIC (220PF/50V,K,Y5P)	413-3113-032
SERVO	C113		nsp	00MDK96104200	CER. CAP.	CHIP (0.1UF/50V,Z TYPE,Y5V)	413-DCM280-773
SERVO	C114		nsp	00MDK96104200	CER. CAP.	CHIP (0.1UF/50V,Z TYPE,Y5V)	413-DCM280-773
SERVO	C115		nsp	00MDK96102300	CER. CAP.	CHIP (1000PF/50V,K TYPE,X7R)	413-DCM280-768
SERVO	C116		nsp	00MDK96104200	CER. CAP.	CHIP (0.1UF/50V,Z TYPE,Y5V)	413-DCM280-773
SERVO	C117		nsp	00MDK96104200	CER. CAP.	CHIP (0.1UF/50V,Z TYPE,Y5V)	413-DCM280-773
SERVO	C118		nsp	00MDK96104200	CER. CAP.	CHIP (0.1UF/50V,Z TYPE,Y5V)	413-DCM280-773
SERVO	C120		nsp	00MDD95150300	CER. CAP.	CHIP (15PF/50V,J TYPE,NPO)	413-007USB-781
SERVO	C121		nsp	00MDK96473200	CER. CAP.	CHIP (0.047UF/50,Z TYPE,Y5V)	413-DCM280-772
SERVO	C122		nsp	nsp	FILM CAP.	POLYESTER (0.0015UF/50V,J)	413-HT7016-219
SERVO	C123		nsp	00MDD95221300	CER. CAP.	CHIP (220PF/50V,TYPE NPO)	413-007USB-787
SERVO	C124		nsp	90M-EJ000100R	ELECT CAP.	0.47UF/50V,M,4*7,MINI	413-SPPW3-233
SERVO	C125		nsp	00MDK96103300	CER. CAP.	CHIP (0.01UF/50V,K TYPE,X7R)	413-DCM280-771
SERVO	C126		nsp	00MEJ10701010	ELECT CAP.	100UF/10V,M,5*7,MINI	413-HMA2200-5017
SERVO	C127		nsp	nsp	CER. CAP.	CERAMIC (0.1UF/50V,Z,Y5V)	413-3113-035
SERVO	C128		nsp	00MDK96104200	CER. CAP.	CHIP (0.1UF/50V,Z TYPE,Y5V)	413-DCM280-773
SERVO	C129		nsp	00MDK96104200	CER. CAP.	CHIP (0.1UF/50V,Z TYPE,Y5V)	413-DCM280-773
SERVO	C130		nsp	00MEJ10701010	ELECT CAP.	100UF/10V,M,5*7,MINI	413-HMA2200-5017
SERVO	C131		nsp	00MDK96104200	CER. CAP.	CHIP (0.1UF/50V,Z TYPE,Y5V)	413-DCM280-773
SERVO	C132		nsp	nsp	FILM CAP.	POLYESTER (0.0033UF/100V,J)	413-KT300-103
SERVO	C133		nsp	00MDK96683200	CER. CAP.	CHIP (0.068UF/50V,Z TYPE,Y5V)	413-810-921
SERVO	C134		nsp	00MDK96104200	CER. CAP.	CHIP (0.1UF/50V,Z TYPE,Y5V)	413-DCM280-773
SERVO	C135		nsp	00MEJ22701010	ELECT CAP.	220UF/10V,M,6*7,MINI	413-HT801K-192
SERVO	C136		nsp	00MDK96104200	CER. CAP.	CHIP (0.1UF/50V,Z TYPE,Y5V)	413-DCM280-773
SERVO	C137		nsp	00MEJ22701010	ELECT CAP.	220UF/10V,M,6*7,MINI	413-HT801K-192
SERVO	C138		nsp	nsp	CER. CAP.	CERAMIC (0.1UF/50V,Z,Y5V)	413-3113-035
SERVO	C139		nsp	00MDD95101300	CER. CAP.	CHIP (100PF/50V,J TYPE,NPO)	413-DCM280-767
SERVO	C140		nsp	00MEJ10602510	ELECT CAP.	10UF/25V,M,4*7,MINI	413-SPPW3-235
SERVO	C141		nsp	00MDK96104200	CER. CAP.	CHIP (0.1UF/50V,Z TYPE,Y5V)	413-DCM280-773
SERVO	C142		nsp	00MDK96104200	CER. CAP.	CHIP (0.1UF/50V,Z TYPE,Y5V)	413-DCM280-773
SERVO	C143		nsp	00MDK96104200	CER. CAP.	CHIP (0.1UF/50V,Z TYPE,Y5V)	413-DCM280-773
SERVO	C144		nsp	00MDD95470300	CER. CAP.	CHIP (47PF/50V,J TYPE,NPO)	413-007USB-784
SERVO	C145		nsp	00MDK96103300	CER. CAP.	CHIP (0.01UF/50V,K TYPE,X7R)	413-DCM280-771
SERVO	C146		nsp	00MDK96104200	CER. CAP.	CHIP (0.1UF/50V,Z TYPE,Y5V)	413-DCM280-773
SERVO	C147		nsp	00MDK96102300	CER. CAP.	CHIP (1000PF/50V,K TYPE,X7R)	413-DCM280-768
SERVO	C149		nsp	00MEJ10701610	ELECT CAP.	100UF/16V,M,6.3*7,MINI	413-HT801K-193
SERVO	C150		nsp	00MDK96103300	CER. CAP.	CHIP (0.01UF/50V,K TYPE,X7R)	413-DCM280-771
SERVO	C151		nsp	00MDK96103300	CER. CAP.	CHIP (0.01UF/50V,K TYPE,X7R)	413-DCM280-771
SERVO	C152		nsp	00MDK96103300	CER. CAP.	CHIP (0.01UF/50V,K TYPE,X7R)	413-DCM280-771
SERVO	C153		nsp	00MDK96103300	CER. CAP.	CHIP (0.01UF/50V,K TYPE,X7R)	413-DCM280-771
SERVO	C154		nsp	00MDK96103300	CER. CAP.	CHIP (0.01UF/50V,K TYPE,X7R)	413-DCM280-771
SERVO	C155		nsp	00MEJ10505010	ELECT CAP.	1UF/50V,M,4*7,MINI	413-SPPW3-234
SERVO	C156		nsp	00MDK96104200	CER. CAP.	CHIP (0.1UF/50V,Z TYPE,Y5V)	413-DCM280-773
SERVO	C157		nsp	00MEJ10505010	ELECT CAP.	1UF/50V,M,4*7,MINI	413-SPPW3-234
SERVO	C158		nsp	00MEJ10505010	ELECT CAP.	1UF/50V,M,4*7,MINI	413-SPPW3-234
SERVO	C159		nsp	00MEJ10505010	ELECT CAP.	1UF/50V,M,4*7,MINI	413-SPPW3-234
SERVO	C160		nsp	00MEJ10505010	ELECT CAP.	1UF/50V,M,4*7,MINI	413-SPPW3-234
SERVO	C161		nsp	00MEJ22505010	ELECT CAP.	2.2UF/50V,M,4*7,MINI	413-DV300-5156
SERVO	C162		nsp	00MEJ47601610	ELECT CAP.	47UF/16V,M,5*7,SS	413-CDVD2001-265

NOTE : "nsp" PART IS LISTED FOR REFERENCE ONLY, MARANTZ WILL NOT SUPPLY THESE PARTS.

P.C.B. NAME	POS. NO.	VERS. COLOR	PART NO. (FOR EUR)	PART NO. (MZ)	PART NAME	DESCRIPTION	
SERVO	C163		nsp	00MDK96104200	CER. CAP.	CHIP (0.1UF/50V,Z TYPE,Y5V)	413-DCM280-773
SERVO	C164		nsp	00MEJ10701010	ELECT CAP.	100UF/10V,M,5*7,MINI	413-HMA2200-5017
SERVO	C165		nsp	00MDK96104200	CER. CAP.	CHIP (0.1UF/50V,Z TYPE,Y5V)	413-DCM280-773
SERVO	C166		nsp	00MEJ10505010	ELECT CAP.	1UF/50V,M,4*7,MINI	413-SPPW3-234
SERVO	C167		nsp	00MDK96104200	CER. CAP.	CHIP (0.1UF/50V,Z TYPE,Y5V)	413-DCM280-773
SERVO	C168		nsp	00MEJ10505010	ELECT CAP.	1UF/50V,M,4*7,MINI	413-SPPW3-234
SERVO	C169		nsp	00MEJ10602510	ELECT CAP.	10UF/25V,M,4*7,MINI	413-SPPW3-235
SERVO	C170		nsp	00MEJ10602510	ELECT CAP.	10UF/25V,M,4*7,MINI	413-SPPW3-235
SERVO	C171		nsp	00MEJ10602510	ELECT CAP.	10UF/25V,M,4*7,MINI	413-SPPW3-235
SERVO	C172		nsp	00MEJ10602510	ELECT CAP.	10UF/25V,M,4*7,MINI	413-SPPW3-235
SERVO	C173		nsp	00MDK96104200	CER. CAP.	CHIP (0.1UF/50V,Z TYPE,Y5V)	413-DCM280-773
SERVO	C174		nsp	00MDD95150300	CER. CAP.	CHIP (15PF/50V,J TYPE,NPO)	413-007USB-781
SERVO	C175		nsp	00MDD95150300	CER. CAP.	CHIP (15PF/50V,J TYPE,NPO)	413-007USB-781
SERVO	C176		nsp	00MDK96104200	CER. CAP.	CHIP (0.1UF/50V,Z TYPE,Y5V)	413-DCM280-773
SERVO	C177		nsp	00MEJ10701010	ELECT CAP.	100UF/10V,M,5*7,MINI	413-HMA2200-5017
SERVO	C178		nsp	00MDK96104200	CER. CAP.	CHIP (0.1UF/50V,Z TYPE,Y5V)	413-DCM280-773
SERVO	C179		nsp	00MEJ10701010	ELECT CAP.	100UF/10V,M,5*7,MINI	413-HMA2200-5017
SERVO	C180		nsp	00MDK96104200	CER. CAP.	CHIP (0.1UF/50V,Z TYPE,Y5V)	413-DCM280-773
SERVO	C182		nsp	00MDD95221300	CER. CAP.	CHIP (220PF/50V,TYPE NPO)	413-007USB-787
SERVO	C183		nsp	nsp	FILM CAP.	POLYESTER (0.0012UF/50V,J)	413-HV3423K-343
SERVO	C184		nsp	nsp	FILM CAP.	POLYESTER (0.0012UF/50V,J)	413-HV3423K-343
SERVO	C185		nsp	nsp	CER. CAP.	CERAMIC (220PF/50V,K,Y5P)	413-3113-032
SERVO	C186		nsp	nsp	CER. CAP.	CERAMIC (220PF/50V,K,Y5P)	413-3113-032
SERVO	C187		nsp	nsp	FILM CAP.	POLYESTER (0.0022UF/50V,J)	413-3113-059
SERVO	C188		nsp	nsp	FILM CAP.	POLYESTER (0.0022UF/50V,J)	413-3113-059
SERVO	C189		nsp	nsp	CER. CAP.	CERAMIC (0.1UF/50V,Z,Y5V)	413-3113-035
SERVO	C190		nsp	00MDK96104200	CER. CAP.	CHIP (0.1UF/50V,Z TYPE,Y5V)	413-DCM280-773
SERVO	C191		nsp	00MDD95221300	CER. CAP.	CHIP (220PF/50V,TYPE NPO)	413-007USB-787
SERVO	C192		nsp	00MDD95221300	CER. CAP.	CHIP (220PF/50V,TYPE NPO)	413-007USB-787
SERVO	C193		nsp	nsp	FILM CAP.	POLYESTER (0.0018UF/50V,J)	413-HT7016-220
SERVO	C194		nsp	nsp	FILM CAP.	POLYESTER (0.0018UF/50V,J)	413-HT7016-220
SERVO	C195		nsp	nsp	CER. CAP.	CERAMIC (0.1UF/50V,Z,Y5V)	413-3113-035
SERVO	C196		nsp	00MDK96104200	CER. CAP.	CHIP (0.1UF/50V,Z TYPE,Y5V)	413-DCM280-773
SERVO	C197		nsp	00MDK96104200	CER. CAP.	CHIP (0.1UF/50V,Z TYPE,Y5V)	413-DCM280-773
SERVO	C198		nsp	00MDD95200300	CER. CAP.	CHIP (20PF/50V,J TYPE,NPO)	413-DCM280-764
SERVO	C199		nsp	00MDD95200300	CER. CAP.	CHIP (20PF/50V,J TYPE,NPO)	413-DCM280-764
SERVO	C201		nsp	00MDK96104200	CER. CAP.	CHIP (0.1UF/50V,Z TYPE,Y5V)	413-DCM280-773
SERVO	C202		nsp	00MDK96104200	CER. CAP.	CHIP (0.1UF/50V,Z TYPE,Y5V)	413-DCM280-773
SERVO	C203		nsp	00MEJ10602510	ELECT CAP.	10UF/25V,M,4*7,MINI	413-SPPW3-235
SERVO	C205		nsp	00MDK96102300	CER. CAP.	CHIP (1000PF/50V,K TYPE,X7R)	413-DCM280-768
SERVO	C206		nsp	00MDK96102300	CER. CAP.	CHIP (1000PF/50V,K TYPE,X7R)	413-DCM280-768
SERVO	C207		nsp	00MDK96104200	CER. CAP.	CHIP (0.1UF/50V,Z TYPE,Y5V)	413-DCM280-773
SERVO	C208		nsp	00MEJ47601610	ELECT CAP.	47UF/16V,M,5*7,SS	413-CDVD2001-265
SERVO	C215		nsp	00MDK96103300	CER. CAP.	CHIP (0.01UF/50V,K TYPE,X7R)	413-DCM280-771
SERVO	C216		nsp	00MDD95101300	CER. CAP.	CHIP (100PF/50V,J TYPE,NPO)	413-DCM280-767
SERVO	C217		nsp	00MDK96104200	CER. CAP.	CHIP (0.1UF/50V,Z TYPE,Y5V)	413-DCM280-773
SERVO	C218		nsp	00MDK96104200	CER. CAP.	CHIP (0.1UF/50V,Z TYPE,Y5V)	413-DCM280-773
SERVO	C219		nsp	00MDK96103300	CER. CAP.	CHIP (0.01UF/50V,K TYPE,X7R)	413-DCM280-771
SERVO	C220		nsp	00MDK96104200	CER. CAP.	CHIP (0.1UF/50V,Z TYPE,Y5V)	413-DCM280-773
SERVO	C221		nsp	00MDK96104200	CER. CAP.	CHIP (0.1UF/50V,Z TYPE,Y5V)	413-DCM280-773
SERVO	C222		nsp	00MDK96104200	CER. CAP.	CHIP (0.1UF/50V,Z TYPE,Y5V)	413-DCM280-773
SERVO	C223		nsp	00MDK96104200	CER. CAP.	CHIP (0.1UF/50V,Z TYPE,Y5V)	413-DCM280-773
SERVO	C224		nsp	00MDK96104200	CER. CAP.	CHIP (0.1UF/50V,Z TYPE,Y5V)	413-DCM280-773
SERVO	C226		nsp	00MDK96102300	CER. CAP.	CHIP (1000PF/50V,K TYPE,X7R)	413-DCM280-768
SERVO	C227		nsp	00MDK96104200	CER. CAP.	CHIP (0.1UF/50V,Z TYPE,Y5V)	413-DCM280-773
SERVO	C230		nsp	00MDK96104200	CER. CAP.	CHIP (0.1UF/50V,Z TYPE,Y5V)	413-DCM280-773
SERVO	C24		nsp	00MEJ10602510	ELECT CAP.	10UF/25V,M,4*7,MINI	413-SPPW3-235
SERVO	CN05		nsp	nsp	CONN.	8P SOCKET (S8B-PH-K-S,P=2MM)	404-DV300-506
SERVO	CN06		nsp	nsp	CONN.	9P SOCKET (S9B-PH-K,P=2MM)	404-DJ3000-809
SERVO	CN101		00D9410047308	00D9410047308	CONN.	16P 1.0 FFC CONN. (52207-1685)	404-HV3423K-583
SERVO	CN102		nsp	nsp	CONN.	6P SOCKET (S6B-PH-K-S,P=2MM)	404-90V1-101
SERVO	CN104		nsp	nsp	CONN.	7P SOCKET (S7B-PH-K,P=2MM)	404-HMD5000-785
SERVO	CN105		nsp	nsp	CONN.	8P SOCKET (S8B-PH-K-S,P=2MM)	404-DV300-506
SERVO	CN106		90M-YJ003030R	90M-YJ003030R	CONN.	12P 1.0 FFC CONN. (52207-1285)	404-4001-2235
SERVO	CN107		90M-YJ003030R	90M-YJ003030R	CONN.	12P 1.0 FFC CONN. (52207-1285)	404-4001-2235
SERVO	CN108		90M-YJ003050R	90M-YJ003050R	CONN.	14P 1.0 FFC CONN. (52207-1485)	404-EFX2-1860
SERVO	CN109		90M-YJ003040R	90M-YJ003040R	CONN.	5P 1.0 FFC CONN. (52207-0585)	404-900-2090

NOTE : *nsp* PART IS LISTED FOR REFERENCE ONLY, MARANTZ WILL NOT SUPPLY THESE PARTS.

P.C.B. NAME	POS. NO.	VERS. COLOR	PART NO. (FOR EUR)	PART NO. (MZ)	PART NAME	DESCRIPTION	
SERVO	D101		00MHZ21303210	00MHZ21303210	DIODE	SWITCHING (1SS355,UMD2,SMD)	414-CD1000-075
SERVO	D104		90M-HZ200210R	90M-HZ200210R	DIODE	CHIP DIODE (DAN217U)	416-4001-297
SERVO	D105		90M-HW100790R	90M-HW100790R	PHOTO UNIT	INFRARED EMITTING (SIR-34ST3F)	410-4001-291
SERVO	D105		nsp	nsp	HOLDER	LED HOLDER	504-BJ2300-039
SERVO	IC07		00MHC38105090	00MHC38105090	IC	IC (NJM78L05A,DIP/TO-92)	417-PMSE1-161
SERVO	IC101		90M-HC109670R	90M-HC109670R	IC	IC (CXA-2581N,SSOP-30)	417-DCM280-588
SERVO	IC102		00MHC10080250	00MHC10080250	IC	IC (CXD3068Q,QFP-80)	417-DCM280-587
SERVO	IC103		nsp	nsp	CONN.	PLCC IC SOCKET	404-314-2240
SERVO	IC103		90M-HS08CW20R	90M-HS08CW20R	U-PRO	SM8952AC25JP	704-4001-6243
SERVO	IC104		00D9410046008	00D9410046008	IC	IC (SP232ACP,16PIN)	417-MP3-430
SERVO	IC105		90M-HC109680R	90M-HC109680R	IC	IC (BA5979S,DIP-32)	417-DCM280-596
SERVO	IC106		00D9580015202	00D9580015202	IC	IC (LA6531-E,DIP16F)	417-KC220-045
SERVO	IC107		00MHC10053090	00MHC10053090	IC	IC (NJM-2068DD,DIP-8)	417-KT300-027
SERVO	IC108		00MHC10053090	00MHC10053090	IC	IC (NJM-2068DD,DIP-8)	417-KT300-027
SERVO	IC109		00D9410021900	00D9410021900	IC	IC (BD4745G/BD4745G-TR)	417-HDJ2000-503
SERVO	IC110		nsp	nsp	CONN.	PLCC IC SOCKET	404-314-2240
SERVO	IC110		90M-HS08CW10R	90M-HS08CW10R	U-PRO	SM8958AC25J	704-4001-6242
SERVO	IC111		00MHC700400R0	00MHC700400R0	IC	IC (74HC04/74HC04DT,SOP-14)	417-DCM370E3-378
SERVO	IC112		00MHC10025880	00MHC10025880	IC	IC (CS4392-KZZ,TSSOP)	417-4001-765
SERVO	J01		nsp	nsp	CORD	JUMPER	406-3113-175
SERVO	J02		00D9410025320	00D9410025320	CHIP RES.	CHIP (0 OHM,1/8W,1206,J,TP,150V)	412-DJ3000-414
SERVO	J03		nsp	nsp	CORD	JUMPER	406-3113-175
SERVO	J04		nsp	nsp	CORD	JUMPER	406-3113-175
SERVO	J05		nsp	nsp	CORD	JUMPER	406-3113-175
SERVO	J06		nsp	nsp	CORD	JUMPER	406-3113-175
SERVO	J07		nsp	nsp	CORD	JUMPER	406-3113-175
SERVO	J08		nsp	nsp	CORD	JUMPER	406-3113-175
SERVO	J09		nsp	nsp	CORD	JUMPER	406-3113-175
SERVO	J10		nsp	nsp	CORD	JUMPER	406-3113-175
SERVO	J100		nsp	nsp	CORD	JUMPER	406-3113-175
SERVO	J101		nsp	nsp	CORD	JUMPER	406-3113-175
SERVO	J102		00D9410025320	00D9410025320	CHIP RES.	CHIP (0 OHM,1/8W,1206,J,TP,150V)	412-DJ3000-414
SERVO	J103		nsp	nsp	CORD	JUMPER	406-3113-175
SERVO	J107		nsp	nsp	CORD	JUMPER	406-3113-175
SERVO	J108		nsp	nsp	CORD	JUMPER	406-3113-175
SERVO	J11		nsp	nsp	CORD	JUMPER	406-3113-175
SERVO	J110		00D9410025320	00D9410025320	CHIP RES.	CHIP (0 OHM,1/8W,1206,J,TP,150V)	412-DJ3000-414
SERVO	J111		nsp	nsp	CORD	JUMPER	406-3113-175
SERVO	J113		nsp	nsp	CORD	JUMPER	406-3113-175
SERVO	J114		nsp	nsp	CORD	JUMPER	406-3113-175
SERVO	J115		nsp	nsp	CORD	JUMPER	406-3113-175
SERVO	J116		nsp	nsp	CORD	JUMPER	406-3113-175
SERVO	J117		nsp	nsp	CORD	JUMPER	406-3113-175
SERVO	J118		nsp	nsp	CORD	JUMPER	406-3113-175
SERVO	J119		nsp	nsp	CORD	JUMPER	406-3113-175
SERVO	J120		nsp	nsp	CORD	JUMPER	406-3113-175
SERVO	J121		nsp	nsp	CORD	JUMPER	406-3113-175
SERVO	J122		nsp	nsp	CORD	JUMPER	406-3113-175
SERVO	J123		nsp	nsp	CORD	JUMPER	406-3113-175
SERVO	J124		nsp	nsp	CORD	JUMPER	406-3113-175
SERVO	J126		00D9410025320	00D9410025320	CHIP RES.	CHIP (0 OHM,1/8W,1206,J,TP,150V)	412-DJ3000-414
SERVO	J127		00D9410025320	00D9410025320	CHIP RES.	CHIP (0 OHM,1/8W,1206,J,TP,150V)	412-DJ3000-414
SERVO	J129		00D9410025320	00D9410025320	CHIP RES.	CHIP (0 OHM,1/8W,1206,J,TP,150V)	412-DJ3000-414
SERVO	J130		nsp	nsp	CORD	JUMPER	406-3113-175
SERVO	J131		nsp	nsp	CORD	JUMPER	406-3113-175
SERVO	J132		00D9410025320	00D9410025320	CHIP RES.	CHIP (0 OHM,1/8W,1206,J,TP,150V)	412-DJ3000-414
SERVO	J133		00D9410025320	00D9410025320	CHIP RES.	CHIP (0 OHM,1/8W,1206,J,TP,150V)	412-DJ3000-414
SERVO	J134		nsp	nsp	CORD	JUMPER	406-3113-175
SERVO	J135		nsp	nsp	CORD	JUMPER	406-3113-175
SERVO	J136		nsp	nsp	CORD	JUMPER	406-3113-175
SERVO	J137		nsp	nsp	CORD	JUMPER	406-3113-175
SERVO	J138		nsp	nsp	CORD	JUMPER	406-3113-175
SERVO	J139		00D9410025320	00D9410025320	CHIP RES.	CHIP (0 OHM,1/8W,1206,J,TP,150V)	412-DJ3000-414
SERVO	J14		00D9410025320	00D9410025320	CHIP RES.	CHIP (0 OHM,1/8W,1206,J,TP,150V)	412-DJ3000-414
SERVO	J140		00D9410025320	00D9410025320	CHIP RES.	CHIP (0 OHM,1/8W,1206,J,TP,150V)	412-DJ3000-414
SERVO	J141		00D9410025320	00D9410025320	CHIP RES.	CHIP (0 OHM,1/8W,1206,J,TP,150V)	412-DJ3000-414
SERVO	J15		nsp	nsp	CORD	JUMPER	406-3113-175

NOTE : "nsp" PART IS LISTED FOR REFERENCE ONLY, MARANTZ WILL NOT SUPPLY THESE PARTS.

P.C.B. NAME	POS. NO.	VERS. COLOR	PART NO. (FOR EUR)	PART NO. (MZ)	PART NAME	DESCRIPTION
SERVO	J16		nsp	nsp	CORD	JUMPER 406-3113-175
SERVO	J17		nsp	nsp	CORD	JUMPER 406-3113-175
SERVO	J19		nsp	nsp	CORD	JUMPER 406-3113-175
SERVO	J20		nsp	nsp	CORD	JUMPER 406-3113-175
SERVO	J21		nsp	nsp	CORD	JUMPER 406-3113-175
SERVO	J22		nsp	nsp	CORD	JUMPER 406-3113-175
SERVO	J23		nsp	nsp	CORD	JUMPER 406-3113-175
SERVO	J24		nsp	nsp	CORD	JUMPER 406-3113-175
SERVO	J25		nsp	nsp	CORD	JUMPER 406-3113-175
SERVO	J26		nsp	nsp	CORD	JUMPER 406-3113-175
SERVO	J27		nsp	nsp	CORD	JUMPER 406-3113-175
SERVO	J28		nsp	nsp	CORD	JUMPER 406-3113-175
SERVO	J29		nsp	nsp	CORD	JUMPER 406-3113-175
SERVO	J30		nsp	nsp	CORD	JUMPER 406-3113-175
SERVO	J31		nsp	nsp	CORD	JUMPER 406-3113-175
SERVO	J32		nsp	nsp	CORD	JUMPER 406-3113-175
SERVO	J33		nsp	nsp	CORD	JUMPER 406-3113-175
SERVO	J35		nsp	nsp	CORD	JUMPER 406-3113-175
SERVO	J36		nsp	nsp	CORD	JUMPER 406-3113-175
SERVO	J37		nsp	nsp	CORD	JUMPER 406-3113-175
SERVO	J38		nsp	nsp	CORD	JUMPER 406-3113-175
SERVO	J39		nsp	nsp	CORD	JUMPER 406-3113-175
SERVO	J40		00D9410025320	00D9410025320	CHIP RES.	CHIP (0 OHM,1/8W,1206,J,TP,150V) 412-DJ3000-414
SERVO	J41		nsp	nsp	CORD	JUMPER 406-3113-175
SERVO	J42		nsp	nsp	CORD	JUMPER 406-3113-175
SERVO	J43		nsp	nsp	CORD	JUMPER 406-3113-175
SERVO	J44		nsp	nsp	CORD	JUMPER 406-3113-175
SERVO	J45		nsp	nsp	CORD	JUMPER 406-3113-175
SERVO	J46		nsp	nsp	CORD	JUMPER 406-3113-175
SERVO	J47		nsp	nsp	CORD	JUMPER 406-3113-175
SERVO	J48		nsp	nsp	CORD	JUMPER 406-3113-175
SERVO	J49		nsp	nsp	CORD	JUMPER 406-3113-175
SERVO	J50		nsp	nsp	CORD	JUMPER 406-3113-175
SERVO	J51		nsp	nsp	CORD	JUMPER 406-3113-175
SERVO	J52		nsp	nsp	CORD	JUMPER 406-3113-175
SERVO	J53		nsp	nsp	CORD	JUMPER 406-3113-175
SERVO	J54		nsp	nsp	CORD	JUMPER 406-3113-175
SERVO	J55		nsp	nsp	CORD	JUMPER 406-3113-175
SERVO	J56		nsp	nsp	CORD	JUMPER 406-3113-175
SERVO	J57		nsp	nsp	CORD	JUMPER 406-3113-175
SERVO	J58		nsp	nsp	CORD	JUMPER 406-3113-175
SERVO	J59		nsp	nsp	CORD	JUMPER 406-3113-175
SERVO	J60		nsp	nsp	CORD	JUMPER 406-3113-175
SERVO	J61		nsp	nsp	CORD	JUMPER 406-3113-175
SERVO	J63		00D9410025320	00D9410025320	CHIP RES.	CHIP (0 OHM,1/8W,1206,J,TP,150V) 412-DJ3000-414
SERVO	J64		nsp	nsp	CORD	JUMPER 406-3113-175
SERVO	J66		nsp	nsp	CORD	JUMPER 406-3113-175
SERVO	J67		nsp	nsp	CORD	JUMPER 406-3113-175
SERVO	J68		nsp	nsp	CORD	JUMPER 406-3113-175
SERVO	J69		nsp	nsp	CORD	JUMPER 406-3113-175
SERVO	J70		nsp	nsp	CORD	JUMPER 406-3113-175
SERVO	J71		nsp	nsp	CORD	JUMPER 406-3113-175
SERVO	J72		nsp	nsp	CORD	JUMPER 406-3113-175
SERVO	J73		nsp	nsp	CORD	JUMPER 406-3113-175
SERVO	J74		nsp	nsp	CORD	JUMPER 406-3113-175
SERVO	J75		nsp	nsp	CORD	JUMPER 406-3113-175
SERVO	J76		nsp	nsp	CORD	JUMPER 406-3113-175
SERVO	J77		nsp	nsp	CORD	JUMPER 406-3113-175
SERVO	J78		nsp	nsp	CORD	JUMPER 406-3113-175
SERVO	J79		nsp	nsp	CORD	JUMPER 406-3113-175
SERVO	J82		nsp	nsp	CORD	JUMPER 406-3113-175
SERVO	J83		nsp	nsp	CORD	JUMPER 406-3113-175
SERVO	J84		nsp	nsp	CORD	JUMPER 406-3113-175
SERVO	J85		00D9410025320	00D9410025320	CHIP RES.	CHIP (0 OHM,1/8W,1206,J,TP,150V) 412-DJ3000-414
SERVO	J87		nsp	nsp	CORD	JUMPER 406-3113-175
SERVO	J88		nsp	nsp	CORD	JUMPER 406-3113-175
SERVO	J89		nsp	nsp	CORD	JUMPER 406-3113-175

NOTE : *nsp* PART IS LISTED FOR REFERENCE ONLY, MARANTZ WILL NOT SUPPLY THESE PARTS.

P.C.B. NAME	POS. NO.	VERS. COLOR	PART NO. (FOR EUR)	PART NO. (MZ)	PART NAME	DESCRIPTION	
SERVO	J90		nsp	nsp	CORD	JUMPER	406-3113-175
SERVO	J91		nsp	nsp	CORD	JUMPER	406-3113-175
SERVO	J92		nsp	nsp	CORD	JUMPER	406-3113-175
SERVO	J93		nsp	nsp	CORD	JUMPER	406-3113-175
SERVO	J94		nsp	nsp	CORD	JUMPER	406-3113-175
SERVO	J95		nsp	nsp	CORD	JUMPER	406-3113-175
SERVO	J97		nsp	nsp	CORD	JUMPER	406-3113-175
SERVO	J98		nsp	nsp	CORD	JUMPER	406-3113-175
SERVO	J99		00D9410025320	00D9410025320	CHIP RES.	CHIP (0 OHM,1/8W,1206,J,TP,150V)	412-DJ3000-414
SERVO	JK101		90M-YT004900R	90M-YT004900R	TERMINAL	2P CINCH RJ-1060B*10-0520A,R/W	420-4001-231
SERVO	JK102		90M-YT004890R	90M-YT004890R	TERMINAL	SIGNAL JACK RS-232S	420-4001-227
SERVO	JK103		90M-YT004870R	90M-YT004870R	TERMINAL	2P CINCH JACK (ORANGE)	420-4001-225
SERVO	JK104		90M-YT004930R	90M-YT004930R	TERMINAL	1P CINCH RJ-1081-01-0541A,BLACK	420-RCC1055-156
SERVO	JK105		90M-YT004910R	90M-YT004910R	TERMINAL	HEADPHONE JACK FLASHER	420-4001-232
SERVO	L101		nsp	nsp	COIL	INDUCTOR (10UH TAPING 52MM)	415-MPG100-047
SERVO	L102		nsp	nsp	COIL	INDUCTOR (10UH TAPING 52MM)	415-MPG100-047
SERVO	L103		nsp	nsp	COIL	INDUCTOR (10UH TAPING 52MM)	415-MPG100-047
SERVO	L104		00D9580016900	00D9580016900	FERRITE CORE	RH03506ST-B,65OHM/100MHZ	415-HV3500K-090
SERVO	L105		00D9580016900	00D9580016900	FERRITE CORE	RH03506ST-B,65OHM/100MHZ	415-HV3500K-090
SERVO	L106		nsp	nsp	COIL	INDUCTOR (10UH TAPING 52MM)	415-MPG100-047
SERVO	L107		00D9580016900	00D9580016900	FERRITE CORE	RH03506ST-B,65OHM/100MHZ	415-HV3500K-090
SERVO	L108		00D9580016900	00D9580016900	FERRITE CORE	RH03506ST-B,65OHM/100MHZ	415-HV3500K-090
SERVO	L109		00D9580016900	00D9580016900	FERRITE CORE	RH03506ST-B,65OHM/100MHZ	415-HV3500K-090
SERVO	L110		00D9580016900	00D9580016900	FERRITE CORE	RH03506ST-B,65OHM/100MHZ	415-HV3500K-090
SERVO	L111		00D9580016900	00D9580016900	FERRITE CORE	RH03506ST-B,65OHM/100MHZ	415-HV3500K-090
SERVO	L112		00D9580016900	00D9580016900	FERRITE CORE	RH03506ST-B,65OHM/100MHZ	415-HV3500K-090
SERVO	L113		nsp	nsp	COIL	BC0610R6H-Y7-2.5,750OHM/100MHZ	415-KM280A-021
SERVO	L114		00D9580016900	00D9580016900	FERRITE CORE	RH03506ST-B,65OHM/100MHZ	415-HV3500K-090
SERVO	L115		90M-FC900450R	90M-FC900450R	FERRITE CORE	BEAD(RH03506BT-B,RT)	415-DCM370E3-134
SERVO	L117		00D9580016900	00D9580016900	FERRITE CORE	RH03506ST-B,65OHM/100MHZ	415-HV3500K-090
SERVO	MD101		90M-HW100800R	90M-HW100800R	PHOTO UNIT	RECEIVER (RPM6936,RSIP-A3)	416-4001-295
SERVO	MD102		90M-YT004880R	90M-YT004880R	OPT. CONN.	OPTICAL FIBER JACK	420-4001-226
SERVO	Q01		00MBA10002210	00MBA10002210	TRS.	TRS. (DTA124EKA-T146,SMT3)	416-CTB200-178
SERVO	Q02		00MBA10002210	00MBA10002210	TRS.	TRS. (DTA124EKA-T146,SMT3)	416-CTB200-178
SERVO	Q03		00D9587057409	00D9587057409	CHIP TRS.	CHIP TRS. (2SC2412KT146R)	416-CDN88-051
SERVO	Q04		00D9587057409	00D9587057409	CHIP TRS.	CHIP TRS. (2SC2412KT146R)	416-CDN88-051
SERVO	Q101		00D9410046309	00D9410046309	TRS.	TRS. (2SA1037AKT146R)	416-CDN88-045
SERVO	Q102		00MBA10002210	00MBA10002210	TRS.	TRS. (DTA124EKA-T146,SMT3)	416-CTB200-178
SERVO	Q103		00D9410046406	00D9410046406	TRS.	TRS. (2SC4695-TB-E,SOT23/CP)	416-DAIA-273
SERVO	Q104		00D9410046406	00D9410046406	TRS.	TRS. (2SC4695-TB-E,SOT23/CP)	416-DAIA-273
SERVO	Q105		00D9410046406	00D9410046406	TRS.	TRS. (2SC4695-TB-E,SOT23/CP)	416-DAIA-273
SERVO	Q106		00D9410046406	00D9410046406	TRS.	TRS. (2SC4695-TB-E,SOT23/CP)	416-DAIA-273
SERVO	Q107		00MBA10007210	00MBA10007210	TRS.	TRS. (DTA114ES)	416-HMA2200-080
SERVO	Q108		90M-BA001610R	90M-BA001610R	CHIP TRS.	CHIP TRS. (DTA124TKAT146)	416-HDJ9700-210
SERVO	Q109		00D9587057409	00D9587057409	CHIP TRS.	CHIP TRS. (2SC2412KT146R)	416-CDN88-051
SERVO	Q110		00D9587057409	00D9587057409	CHIP TRS.	CHIP TRS. (2SC2412KT146R)	416-CDN88-051
SERVO	Q111		00MBA20002210	00MBA20002210	TRS.	TRS. (DTC124EKAT146)	416-CDN88-044
SERVO	R101		nsp	00MNN05123610	CHIP RES.	CHIP (12K OHM,1/10W,J,TP,50V)	412-007USB-702
SERVO	R102		nsp	00MNN05123610	CHIP RES.	CHIP (12K OHM,1/10W,J,TP,50V)	412-007USB-702
SERVO	R103		nsp	00MNN05150610	CHIP RES.	CHIP (15 OHM,1/10W,J,TP,50V)	412-007USB-696
SERVO	R104		nsp	00MNN05471610	CHIP RES.	CHIP (470 OHM,1/10W,J,TP,50V)	412-CDVD2001-545
SERVO	R105		nsp	00MNN05124610	CHIP RES.	CHIP (120K OHM,1/10W,J,TP,50V)	412-007USB-689
SERVO	R106		nsp	00MNN05432610	CHIP RES.	CHIP (4.3K OHM,1/10W,J,TP,50V)	412-DCM280-722
SERVO	R108		nsp	nsp	RES.	CARBON (1.8K OHM,1/6W,J,T-26)	412-3113-075
SERVO	R109		nsp	00MNN05273610	CHIP RES.	CHIP (27K OHM,1/10W,J,TP,50V)	412-007USB-675
SERVO	R110		nsp	00MNN05154610	CHIP RES.	CHIP (150K OHM,1/10W,J,TP,50V)	412-007USB-688
SERVO	R111		nsp	00MNN05333610	CHIP RES.	CHIP (33K OHM,1/10W,J,TP,50V)	412-007USB-705
SERVO	R112		nsp	nsp	RES.	CARBON (100K OHM,1/6W,J,T-26)	412-3113-047
SERVO	R113		nsp	nsp	RES.	CARBON (15K OHM,1/6W,J,T-26)	412-3113-053
SERVO	R114		nsp	nsp	RES.	CARBON (15K OHM,1/6W,J,T-26)	412-3113-053
SERVO	R115		nsp	00MNN05474610	CHIP RES.	CHIP (470K OHM,1/10W,J,TP,50V)	412-007USB-707
SERVO	R116		nsp	00MNN05105610	CHIP RES.	CHIP (1M OHM,1/10W,J,TP,50V)	412-CDVD2001-546
SERVO	R117		nsp	00MNN05332610	CHIP RES.	CHIP (3.3K OHM,1/10W,J,TP,50V)	412-007USB-699
SERVO	R118		nsp	00MNN05102610	CHIP RES.	CHIP (1K OHM,1/10W,J,TP,50V)	412-CDVD2001-540
SERVO	R119		nsp	00MNN05103610	CHIP RES.	CHIP (10K OHM,1/10W,J,TP,50V)	412-CDVD2001-534
SERVO	R120		nsp	00MNN05824610	CHIP RES.	CHIP (820K OHM,1/10W,J,TP,50V)	412-007USB-708
SERVO	R121		nsp	00MNN05103610	CHIP RES.	CHIP (10K OHM,1/10W,J,TP,50V)	412-CDVD2001-534

NOTE : "nsp" PART IS LISTED FOR REFERENCE ONLY, MARANTZ WILL NOT SUPPLY THESE PARTS.

P.C.B. NAME	POS. NO.	VERS. COLOR	PART NO. (FOR EUR)	PART NO. (MZ)	PART NAME	DESCRIPTION
SERVO	R122		nsp	00MNN05104610	CHIP RES.	CHIP (100K OHM,1/10W,J,TP,50V) 412-CDVD2001-537
SERVO	R123		nsp	00MNN05103610	CHIP RES.	CHIP (10K OHM,1/10W,J,TP,50V) 412-CDVD2001-534
SERVO	R124		nsp	00MNN05103610	CHIP RES.	CHIP (10K OHM,1/10W,J,TP,50V) 412-CDVD2001-534
SERVO	R125		nsp	00MNN05223610	CHIP RES.	CHIP (22K OHM,1/10W,J,TP,50V) 412-007USB-704
SERVO	R126		nsp	00MNN05473610	CHIP RES.	CHIP (47K OHM,1/10W,J,TP,50V) 412-CDVD2001-532
SERVO	R127		nsp	00MNN05473610	CHIP RES.	CHIP (47K OHM,1/10W,J,TP,50V) 412-CDVD2001-532
SERVO	R128		nsp	00MNN05105610	CHIP RES.	CHIP (1M OHM,1/10W,J,TP,50V) 412-CDVD2001-546
SERVO	R129		nsp	00MNN05153610	CHIP RES.	CHIP (15K OHM,1/10W,J,TP,50V) 412-007USB-687
SERVO	R130		nsp	nsp	RES.	CARBON (47K OHM,1/6W,J,T-26) 412-3113-063
SERVO	R131		nsp	00MNN05243610	CHIP RES.	CHIP (24K OHM,1/10W,F,TP,50V) 412-900-992
SERVO	R132		nsp	nsp	RES.	CARBON (30K OHM,1/6W,J,T-26) 412-DV300-291
SERVO	R134		nsp	nsp	RES.	CARBON (150K OHM,1/6W,J,T-26) 412-3113-046
SERVO	R135		nsp	00MNN05473610	CHIP RES.	CHIP (47K OHM,1/10W,J,TP,50V) 412-CDVD2001-532
SERVO	R136		nsp	00MNN05473610	CHIP RES.	CHIP (47K OHM,1/10W,J,TP,50V) 412-CDVD2001-532
SERVO	R137		nsp	00MNN05221610	CHIP RES.	CHIP (220 OHM,1/10W,J,TP 50V) 412-CDVD2001-521
SERVO	R138		nsp	00MNN05221610	CHIP RES.	CHIP (220 OHM,1/10W,J,TP 50V) 412-CDVD2001-521
SERVO	R139		nsp	00MNN05102610	CHIP RES.	CHIP (1K OHM,1/10W,J,TP,50V) 412-CDVD2001-540
SERVO	R140		nsp	00MNN05105610	CHIP RES.	CHIP (1M OHM,1/10W,J,TP,50V) 412-CDVD2001-546
SERVO	R141		nsp	00MNN05223610	CHIP RES.	CHIP (22K OHM,1/10W,J,TP,50V) 412-007USB-704
SERVO	R142		nsp	00MNN05223610	CHIP RES.	CHIP (22K OHM,1/10W,J,TP,50V) 412-007USB-704
SERVO	R143		nsp	00MNN05223610	CHIP RES.	CHIP (22K OHM,1/10W,J,TP,50V) 412-007USB-704
SERVO	R144		nsp	00MNN05223610	CHIP RES.	CHIP (22K OHM,1/10W,J,TP,50V) 412-007USB-704
SERVO	R145		nsp	00MNN05822610	CHIP RES.	CHIP (8.2K,1/10W,F,TP,50V) 412-900-987
SERVO	R146		nsp	00MNN05822610	CHIP RES.	CHIP (8.2K,1/10W,F,TP,50V) 412-900-987
SERVO	R147		nsp	00MNN05822610	CHIP RES.	CHIP (8.2K,1/10W,F,TP,50V) 412-900-987
SERVO	R148		nsp	00MNN05822610	CHIP RES.	CHIP (8.2K,1/10W,F,TP,50V) 412-900-987
SERVO	R149		nsp	00MNN05822610	CHIP RES.	CHIP (8.2K,1/10W,F,TP,50V) 412-900-987
SERVO	R150		nsp	00MNN05822610	CHIP RES.	CHIP (8.2K,1/10W,F,TP,50V) 412-900-987
SERVO	R151		nsp	00MNN05103610	CHIP RES.	CHIP (10K OHM,1/10W,J,TP,50V) 412-CDVD2001-534
SERVO	R152		nsp	00MNN05103610	CHIP RES.	CHIP (10K OHM,1/10W,J,TP,50V) 412-CDVD2001-534
SERVO	R153		nsp	00MNN05332610	CHIP RES.	CHIP (3.3K OHM,1/10W,J,TP,50V) 412-007USB-699
SERVO	R154		nsp	00MNN05332610	CHIP RES.	CHIP (3.3K OHM,1/10W,J,TP,50V) 412-007USB-699
SERVO	R155		nsp	00MNN05332610	CHIP RES.	CHIP (3.3K OHM,1/10W,J,TP,50V) 412-007USB-699
SERVO	R156		nsp	00MNN05332610	CHIP RES.	CHIP (3.3K OHM,1/10W,J,TP,50V) 412-007USB-699
SERVO	R157		nsp	00MNN05104610	CHIP RES.	CHIP (100K OHM,1/10W,J,TP,50V) 412-CDVD2001-537
SERVO	R158		nsp	00MNN05104610	CHIP RES.	CHIP (100K OHM,1/10W,J,TP,50V) 412-CDVD2001-537
SERVO	R159		nsp	nsp	RES.	CARBON (10K OHM,1/6W,J,T-26) 412-3113-068
SERVO	R161		nsp	00MNN05221610	CHIP RES.	CHIP (220 OHM,1/10W,J,TP 50V) 412-CDVD2001-521
SERVO	R162		nsp	00MNN05221610	CHIP RES.	CHIP (220 OHM,1/10W,J,TP 50V) 412-CDVD2001-521
SERVO	R163		nsp	00MNN05472610	CHIP RES.	CHIP (4.7K OHM,1/10W,J,TP,50V) 412-CDVD2001-523
SERVO	R164		nsp	00MNN05472610	CHIP RES.	CHIP (4.7K OHM,1/10W,J,TP,50V) 412-CDVD2001-523
SERVO	R165		nsp	00MNN05220610	CHIP RES.	CHIP (22 OHM,1/10W,F,TP,50V) 412-CDVD2001-554
SERVO	R166		nsp	00MNN05680610	CHIP RES.	CHIP (68OHM,1/10W,J,TP,50V) 412-900-1016
SERVO	R167		nsp	00MNN05103610	CHIP RES.	CHIP (10K OHM,1/10W,J,TP,50V) 412-CDVD2001-534
SERVO	R168		nsp	00MNN05103610	CHIP RES.	CHIP (10K OHM,1/10W,J,TP,50V) 412-CDVD2001-534
SERVO	R171		nsp	00MNN05103610	CHIP RES.	CHIP (10K OHM,1/10W,J,TP,50V) 412-CDVD2001-534
SERVO	R173		nsp	00MNN05221610	CHIP RES.	CHIP (220 OHM,1/10W,J,TP 50V) 412-CDVD2001-521
SERVO	R174		nsp	00MNN05221610	CHIP RES.	CHIP (220 OHM,1/10W,J,TP 50V) 412-CDVD2001-521
SERVO	R175		nsp	00MNN05221610	CHIP RES.	CHIP (220 OHM,1/10W,J,TP 50V) 412-CDVD2001-521
SERVO	R176		nsp	00MNN05221610	CHIP RES.	CHIP (220 OHM,1/10W,J,TP 50V) 412-CDVD2001-521
SERVO	R177		nsp	00MNN05221610	CHIP RES.	CHIP (220 OHM,1/10W,J,TP 50V) 412-CDVD2001-521
SERVO	R178		nsp	nsp	RES.	CARBON (10K OHM,1/6W,J,T-26) 412-3113-068
SERVO	R179		nsp	nsp	RES.	CARBON (1.5K OHM,1/6W,J,T-26) 412-D396-135
SERVO	R180		nsp	00MNN05471610	CHIP RES.	CHIP (470 OHM,1/10W,J,TP,50V) 412-CDVD2001-545
SERVO	R181		nsp	00MNN05224610	CHIP RES.	CHIP (220K OHM,1/10W,J,TP,50V) 412-007USB-678
SERVO	R182		nsp	00MNN05474610	CHIP RES.	CHIP (470K OHM,1/10W,J,TP,50V) 412-007USB-707
SERVO	R183		nsp	00MNN05474610	CHIP RES.	CHIP (470K OHM,1/10W,J,TP,50V) 412-007USB-707
SERVO	R185		nsp	00MNN05101610	CHIP RES.	CHIP (100 OHM,1/10W,J,TP,50V) 412-CDVD2001-530
SERVO	R186		nsp	00MNN05101610	CHIP RES.	CHIP (100 OHM,1/10W,J,TP,50V) 412-CDVD2001-530
SERVO	R187		nsp	00MNN05101610	CHIP RES.	CHIP (100 OHM,1/10W,J,TP,50V) 412-CDVD2001-530
SERVO	R188		nsp	00MNN05101610	CHIP RES.	CHIP (100 OHM,1/10W,J,TP,50V) 412-CDVD2001-530
SERVO	R189		nsp	00MNN05101610	CHIP RES.	CHIP (100 OHM,1/10W,J,TP,50V) 412-CDVD2001-530
SERVO	R190		nsp	00MNN05101610	CHIP RES.	CHIP (100 OHM,1/10W,J,TP,50V) 412-CDVD2001-530
SERVO	R191		nsp	00MNN05101610	CHIP RES.	CHIP (100 OHM,1/10W,J,TP,50V) 412-CDVD2001-530
SERVO	R192		nsp	00MNN05101610	CHIP RES.	CHIP (100 OHM,1/10W,J,TP,50V) 412-CDVD2001-530
SERVO	R193		nsp	00MNN05101610	CHIP RES.	CHIP (100 OHM,1/10W,J,TP,50V) 412-CDVD2001-530
SERVO	R194		nsp	00MNN05101610	CHIP RES.	CHIP (100 OHM,1/10W,J,TP,50V) 412-CDVD2001-530

NOTE : *nsp* PART IS LISTED FOR REFERENCE ONLY, MARANTZ WILL NOT SUPPLY THESE PARTS.

P.C.B. NAME	POS. NO.	VERS. COLOR	PART NO. (FOR EUR)	PART NO. (MZ)	PART NAME	DESCRIPTION
SERVO	R195		nsp	00MNN05101610	CHIP RES.	CHIP (100 OHM,1/10W,J,TP,50V) 412-CDVD2001-530
SERVO	R196		nsp	00MNN05101610	CHIP RES.	CHIP (100 OHM,1/10W,J,TP,50V) 412-CDVD2001-530
SERVO	R197		nsp	00MNN05470610	CHIP RES.	CHIP (47 OHM,1/10WM,J,TP,50V) 412-007USB-697
SERVO	R198		nsp	00MNN05101610	CHIP RES.	CHIP (100 OHM,1/10W,J,TP,50V) 412-CDVD2001-530
SERVO	R199		nsp	00MNN05101610	CHIP RES.	CHIP (100 OHM,1/10W,J,TP,50V) 412-CDVD2001-530
SERVO	R20		nsp	00MNN05221610	CHIP RES.	CHIP (220 OHM,1/10W,J,TP 50V) 412-CDVD2001-521
SERVO	R200		nsp	00MNN05103610	CHIP RES.	CHIP (10K OHM,1/10W,J,TP,50V) 412-CDVD2001-534
SERVO	R201		nsp	00MNN05101610	CHIP RES.	CHIP (100 OHM,1/10W,J,TP,50V) 412-CDVD2001-530
SERVO	R203		nsp	00MNN05221610	CHIP RES.	CHIP (220 OHM,1/10W,J,TP 50V) 412-CDVD2001-521
SERVO	R205		nsp	00MNN05221610	CHIP RES.	CHIP (220 OHM,1/10W,J,TP 50V) 412-CDVD2001-521
SERVO	R206		nsp	00MNN05221610	CHIP RES.	CHIP (220 OHM,1/10W,J,TP 50V) 412-CDVD2001-521
SERVO	R207		nsp	00MNN05472610	CHIP RES.	CHIP (4.7K OHM,1/10W,J,TP,50V) 412-CDVD2001-523
SERVO	R208		nsp	00MNN05472610	CHIP RES.	CHIP (4.7K OHM,1/10W,J,TP,50V) 412-CDVD2001-523
SERVO	R209		nsp	00MNN05104610	CHIP RES.	CHIP (100K OHM,1/10W,J,TP,50V) 412-CDVD2001-537
SERVO	R210		nsp	nsp	RES.	CARBON (100K OHM,1/6W,J,T-26) 412-3113-047
SERVO	R211		nsp	00MNN05102610	CHIP RES.	CHIP (1K OHM,1/10W,J,TP,50V) 412-CDVD2001-540
SERVO	R212		nsp	00MNN05102610	CHIP RES.	CHIP (1K OHM,1/10W,J,TP,50V) 412-CDVD2001-540
SERVO	R213		nsp	nsp	RES.	CARBON (750 OHM,1/6W,J,T-26) 412-4001-1101
SERVO	R214		nsp	nsp	RES.	CARBON (750 OHM,1/6W,J,T-26) 412-4001-1101
SERVO	R215		nsp	nsp	RES.	CARBON (2.7K OHM,1/6W,J,T-26) 412-3113-073
SERVO	R216		nsp	nsp	RES.	CARBON (2.7K OHM,1/6W,J,T-26) 412-3113-073
SERVO	R217		nsp	nsp	RES.	CARBON (15K OHM,1/6W,J,T-26) 412-3113-053
SERVO	R218		nsp	00MNN05153610	CHIP RES.	CHIP (15K OHM,1/10W,J,TP,50V) 412-007USB-687
SERVO	R219		nsp	00MNN05183610	CHIP RES.	CHIP (18K OHM,1/10W,J,TP,50V) 412-007USB-703
SERVO	R220		nsp	00MNN05183610	CHIP RES.	CHIP (18K OHM,1/10W,J,TP,50V) 412-007USB-703
SERVO	R221		nsp	00MNN05153610	CHIP RES.	CHIP (15K OHM,1/10W,J,TP,50V) 412-007USB-687
SERVO	R222		nsp	00MNN05153610	CHIP RES.	CHIP (15K OHM,1/10W,J,TP,50V) 412-007USB-687
SERVO	R223		nsp	00MNN05123610	CHIP RES.	CHIP (12K OHM,1/10W,J,TP,50V) 412-007USB-702
SERVO	R224		nsp	00MNN05123610	CHIP RES.	CHIP (12K OHM,1/10W,J,TP,50V) 412-007USB-702
SERVO	R225		nsp	00MNN05221610	CHIP RES.	CHIP (220 OHM,1/10W,J,TP 50V) 412-CDVD2001-521
SERVO	R226		nsp	00MNN05221610	CHIP RES.	CHIP (220 OHM,1/10W,J,TP 50V) 412-CDVD2001-521
SERVO	R228		nsp	00MNN05272610	CHIP RES.	CHIP (2.7K OHM,1/10W,V,J,TP,50V) 412-007USB-677
SERVO	R229		nsp	nsp	RES.	CARBON (470 OHM,1/6W,J,T-26) 412-3113-056
SERVO	RB101		90M-BW000430R	90M-BW000430R	RES. COMPO.	10K OHM,J,9P8R,RA TYPE 412-DV300-5143
SERVO	RB102		90M-BW000420R	90M-BW000420R	RES. COMPO.	10K OHM,J,8P7R,RA TYPE 412-DJ1-420
SERVO	SW101		90M-SS000770R	90M-SS000770R	SW	SLIDE SW (SSSF112NA1-HF,2PIN) 403-DV300-5007
SERVO	TX01		00D9580020705	00D9580020705	COIL	COIL (P-7GB) 415-RCC955A-091
SERVO	W301		nsp	nsp	CORD	7P2.5 CONN. WIRE (L=240MM) 404-HPM11-1589
SERVO	X101		00D9580015600	00D9580015600	X'TAL	CRYSTAL (16.9344MHZ) 427-KC710-019
SERVO	X102		90M-JX001300R	90M-JX001300R	X'TAL	CRYSTAL (CSA-309,11.059MHZ,3*9) 427-RCC1055-107
SERVO	X103		90M-JX001290R	90M-JX001290R	X'TAL	CRYSTAL (CSA-309,24MHZ,3*9) 427-DRM120-095
SERVO	ZD103		00D9580075103	00D9580075103	ZENER DIODE	(MTZJ5.1-B,1/2W,T-77) 414-HDJ200-056
SERVO			nsp	nsp	COVER	ANTI-DAZZLING COVER 300-4001-1401
SERVO			nsp	nsp	PLATE	FIXED PLATE 300-9700-1246
SERVO			nsp	nsp	BRACKET	BRACKET (L TYPE) 300-HDJ7000-472
SERVO			nsp	nsp	HEATSINK	AL,6063-T5,16.5*16*45,SILVER 425-810-085
SERVO			nsp	nsp	SCREW	(SAE1018,JMP,2*L5*P0.4,NI) 602-9700-561
SERVO			nsp	nsp	SCREW	(3*5 P=0.5) 602-B300-041
					SW PWB ASSY	
SW	CN101A		nsp	nsp	CONN.	4P 2.0 CONN. WIRE 404-4001-2280
SW	D401		90M-HI101170R	90M-HI101170R	L.E.D.	LED (RED,LTL-16KE,3) 410-CD6000-122
SW	Q401		00D9587057409	00D9587057409	CHIP TRS.	CHIP TRS. (2SC2412KT146R) 416-CDN88-051
SW	R402		00MNI05561110	00MNI05561110	CHIP RES.	CHIP (560 OHM,1/8W,J,TP, 150V) 412-DV330-336
SW	R404		00MNI05222110	00MNI05222110	CHIP RES.	CHIP (2.2K OHM,1/8W,J,TP 150V) 412-DV330-313
SW	SW413		00D9580018306	00D9580018306	SW	TACT SW (H=5MM) 403-DCM270X-101A
					VR PWB ASSY	
VR	J01		nsp	nsp	CORD	JUMPER (0.6MM,L=5MM,H=10MM) 406-2002-106
VR	J01		nsp	nsp	CORD	JUMPER 406-3113-175
VR	VR301		90M-RM000460R	90M-RM000460R	VER. RES.	ROTARY VR (10KA) 418-4001-366
VR	W302		nsp	nsp	CORD	6P 2.0 CONN. WIRE 404-4001-2286

NOTE : "nsp" PART IS LISTED FOR REFERENCE ONLY, MARANTZ WILL NOT SUPPLY THESE PARTS.

15. ABOUT REPLACE THE MICROPROCESSOR WITH A NEW ONE

When replaced of the U-PRO (Microprocessor) or the Flash ROM, confirm contents of the following.

PWB Name	Pos. No.	Description	After replaced	Remark
BUFFER	U3	M29W800DB70N6Y	B	
SERVO	IC103	SM8952AC25JP	A	
SERVO	IC110	SM8958AC25J	A	

After replaced

A : Mask ROM (With software). No need write-in of software to the microprocessor.

B : Flash ROM (With software). Usually, no need write-in of software. But, when the software was updated, you should be write-in of the new software to the microprocessor or flash ROM. Please check the software version.

C : Empty Flash ROM (Without software). You should be write-in of the software to the microprocessor or flash ROM. Refer to "Update procedure" or "writing procedure", when you should be write-in the software.

マイコン等を交換した場合の対応について

U-PRO(マイコン)およびFlash ROM等を交換した場合の対応方法を下記の記載します。

PWB Name	Pos. No.	Description	交換時の対応	備考
BUFFER	U3	M29W800DB70N6Y	B	
SERVO	IC103	SM8952AC25JP	A	
SERVO	IC110	SM8958AC25J	A	

交換時の対応

A : Mask ROM (ソフトウェア書き込み済み) 交換時にソフトウェアの書き込みは必要ありません。

B : Flash ROM (ソフトウェア書き込み済み) バージョンアップにより交換時にソフトウェアの書き換えが必要な場合があります。バージョンの確認をしてください。

C : 空ROM (Flash ROM) 交換時必ずソフトウェアの書き込みが必要になります。Update、書き込み方法を参照してください。