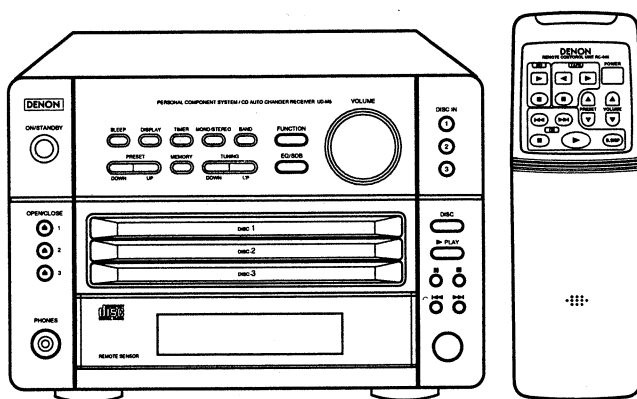


DENON

Hi-Fi Personal Component System

SERVICE MANUAL MODEL UD-M5 STEREO CD RECEIVER



— CONTENTS —

SAFETY PRECAUTIONS	2
SPECIFICATIONS	2
DISASSEMBLY	3, 4
BLOCK DIAGRAM	5
LEVEL DIAGRAM	6
ADJUSTMENT	7
SEMICONDUCTORS	8-21
PRINTED WIRING BOARD	22,23
NOTE FOR PARTS LIST	24
PARTS LIST OF P.W.B. UNIT	24-31
EXPLODED VIEW	32
PARTS LIST OF EXPLODED VIEW	33
EXPLODED VIEW OF CD CHANGER MECHANISM UNIT	34
PARTS LIST CD CHANGER MECHANISM UNIT	35
WIRING DIAGRAM	36
SCHEMATIC DIAGRAM	37-40

● Some illustrations using in this service manual are slightly different from the actual set.

NIPPON COLUMBIA CO., LTD.

SAFETY PRECAUTIONS

The following check should be performed for the continued protection of the customer and service technician.

LEAKAGE CURRENT CHECK

Before returning the unit to the customer, make sure you make either (1) a leakage current check or (2) a line to chassis resistance check. If the leakage current exceeds 0.5 milliamps, or if the resistance from chassis to either side of the power cord is less than 460 kohms, the unit is defective.

SPECIFICATIONS

● Receiver section

Reception frequency band:

FM: 87.50 MHz – 108.00 MHz

AM: 520 kHz – 1710 kHz (For U.S.A. & Canada models)

AM: 522 kHz – 1611 kHz (For Europe & U.K. models)

AM: 522 kHz – 1611 kHz (For Asia model)

Reception sensitivity:

FM: 1.5 μ V / 75 Ω / ohms

AM: 20 μ V

FM stereo separation:

35 dB (1 kHz)

Rated output power:

30 W + 30 W (6 Ω / ohms, 1 kHz, T.H.D. 10 %)

Audio input / output jacks

TAPE input / output jacks, AUX input jacks,
MD input / output jacks, PRE OUT (MONO) jack,
3.5 mm headphones jack

● CD player section

Wow & flutter:

Below measurable limits (\pm 0.001 % W.peak)

Sampling frequency:

44.1 kHz

Optical source:

Semiconductor

Video output jack:

VIDEO OUT jack / for Video CD (For Asia model)

● General

Power supply:

AC 120 V, 60 Hz (For U.S.A. & Canada models)

AC 230 V, 50 Hz (For Europe, U.K. models)

AC 230 V, 50 Hz (For Asia model)

Power consumption:

60W (For U.S.A. & Canada models)

60W (For Europe & U.K. models)

70W (For Asia model)

Maximum external dimensions:

210 (W) \times 146 (H) \times 381 (D) mm (8-17/64" \times 5-3/4" \times 15")

(including feet, controls and terminals)

Weight:

5.5 kg (12lbs. 2 oz)

● Remote control unit (RC846) / (RC847: for Asia model)

Remote control system:

infrared pulse

Number of buttons:

54 / 55 for RC847

Power supply:

Two DC 1.5V R6P / AA batteries

Maximum external dimensions:

67 (W) \times 197 (H) \times 21 (D) mm (2-41/64" \times 7-3/4" \times 53/64")

Weight:

145 g (5.1 oz) (including batteries)

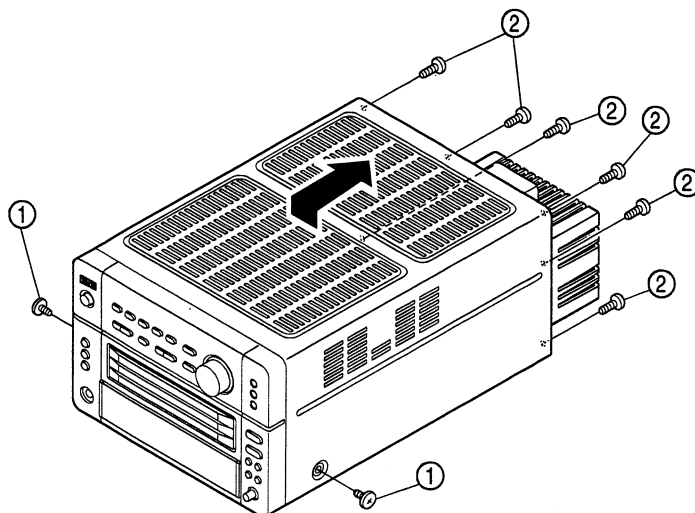
(W) = width, (H) = height, (D) = depth

DISASSEMBLY

(Follow the procedure below in reverse order when reassembling)

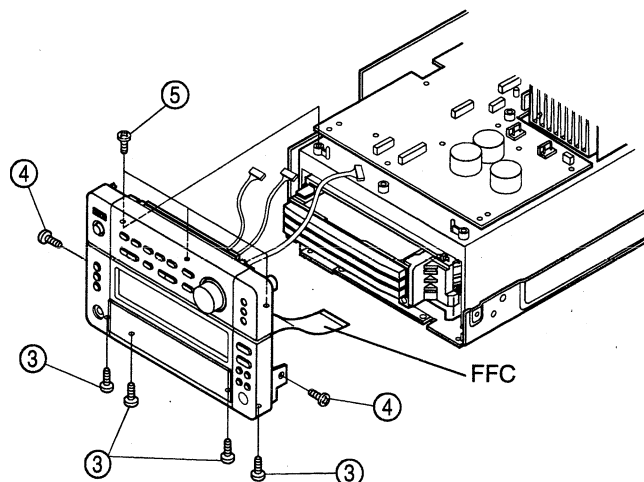
Top Cover

1. Remove 2 screws ① on both sides.
2. Remove 6 screws ② on the rear.
3. Detach the Top Cover as shown in the arrow direction.



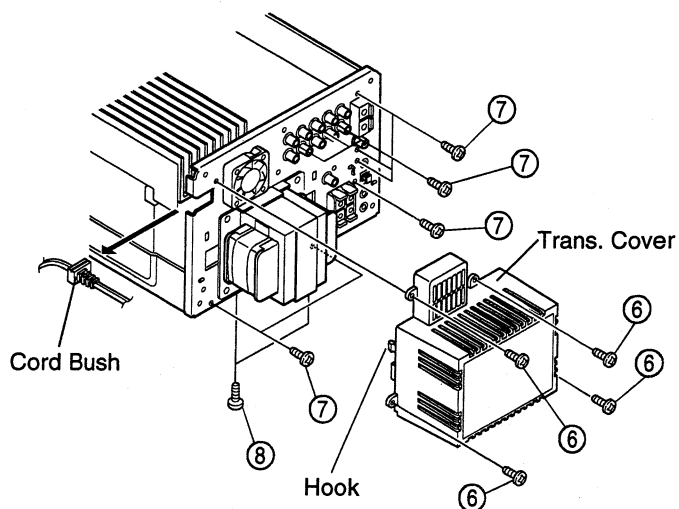
Front Panel

1. Remove 4 screws ③ on the bottom edge of the Front Panel.
2. Remove 2 screws ④ on both sides of the Front Panel.
3. Remove 3 screws ⑤.
4. Unplug 3 wire connectors coming out of the Front Panel's P.W.B.
5. Disconnect FFC from Motor P.W.B.



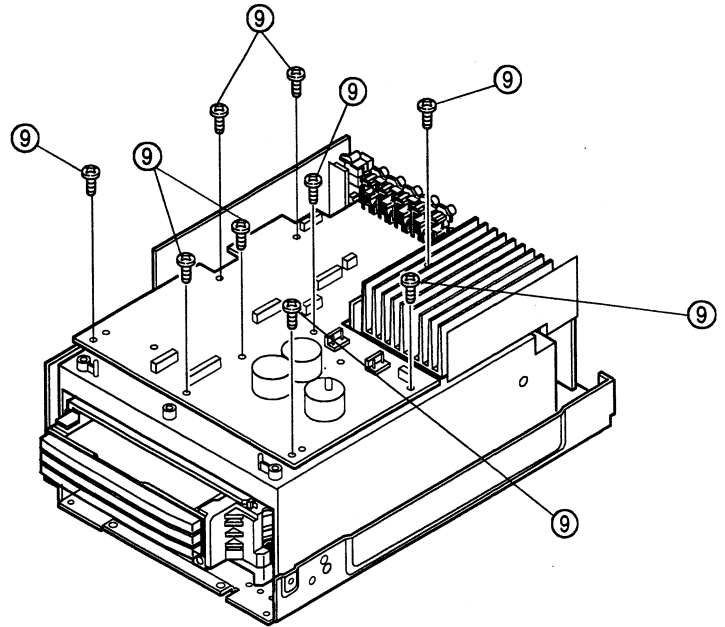
Rear Plate

1. Take off the Cord Bush from the Rear Plate.
2. Remove 4 screws ⑥ fixing Trans. Cover.
3. Release hook of the Trans. Cover.
4. Remove 8 screws (for Asia model: 9 screws) ⑦ from the Rear Plate.
5. Remove 2 screws ⑧, and detach the Rear Plate.



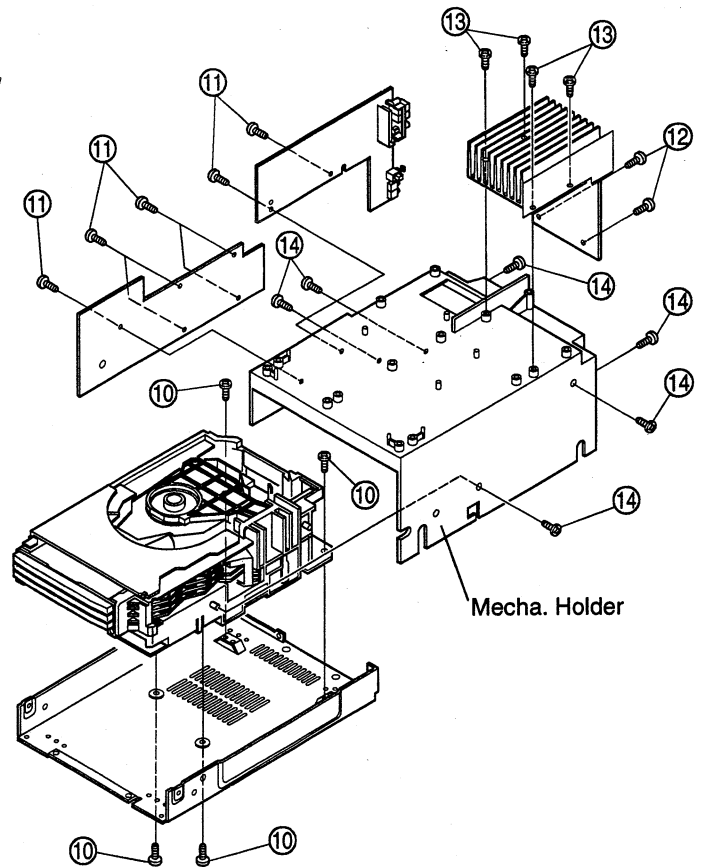
Main P.W.B.

1. Remove 9 screws ⑨ fixing the Main P.W.B.

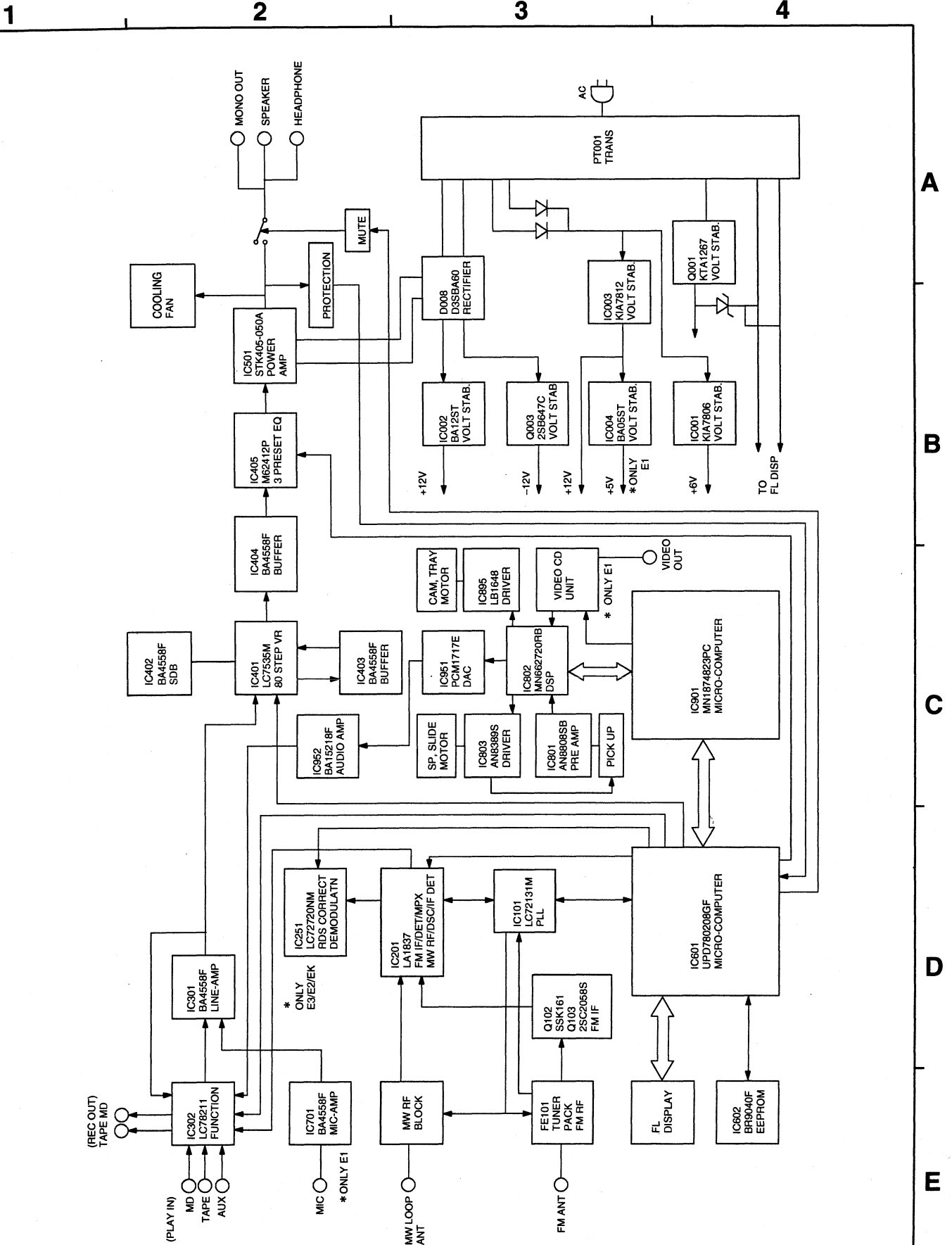


CD Mecha.

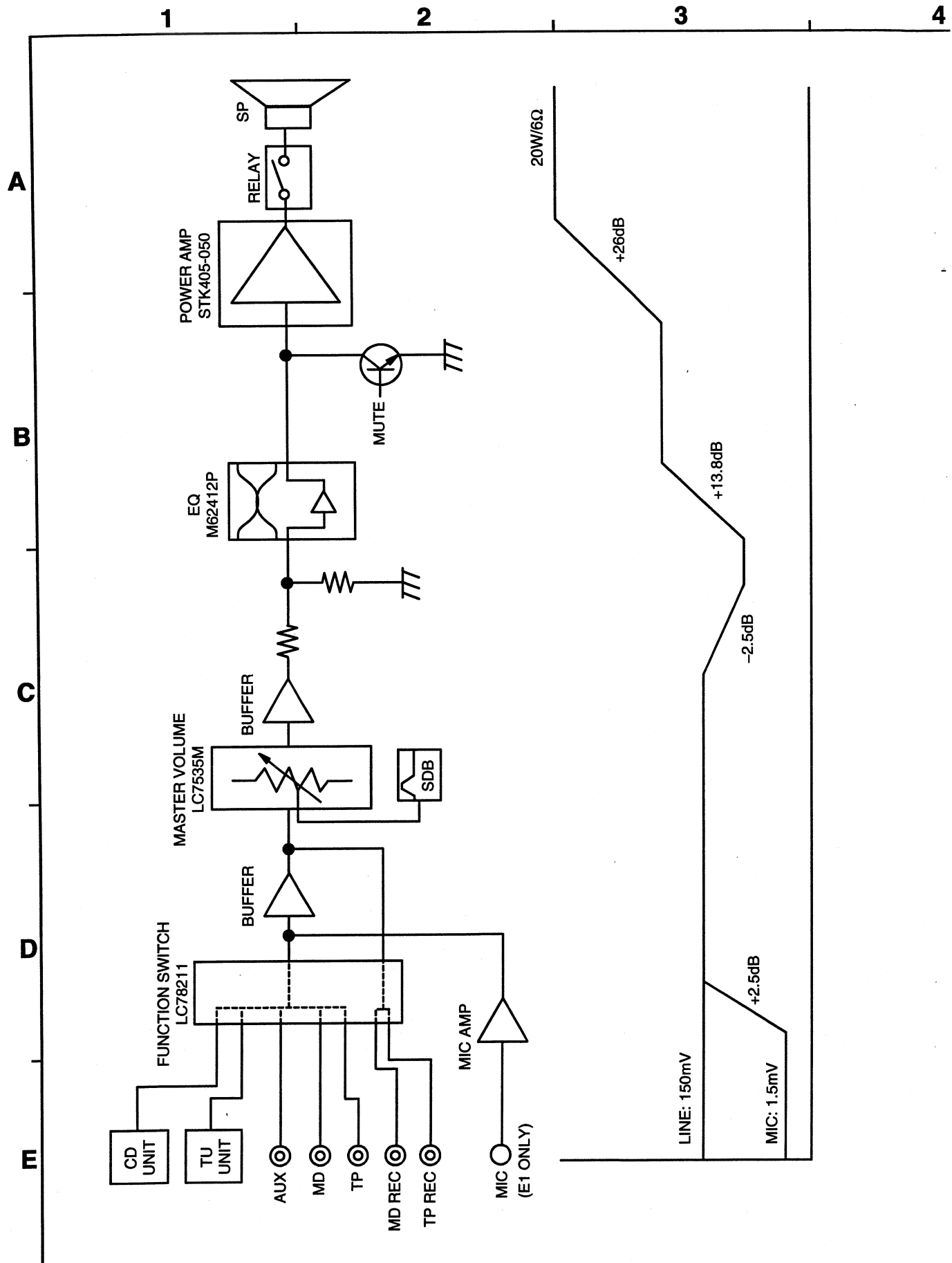
1. Remove 4 screws ⑩.
2. Remove 7 screws ⑪ fixing CD/Tuner P.W.B. at side.
3. Remove 2 screws ⑫ fixing Power P.W.B. and 4 screw ⑬ fixing Heat Sink at the back.
4. Remove 6 screws ⑭ fixing Mecha. Holder.



BLOCK DIAGRAM



LEVEL DIAGRAM



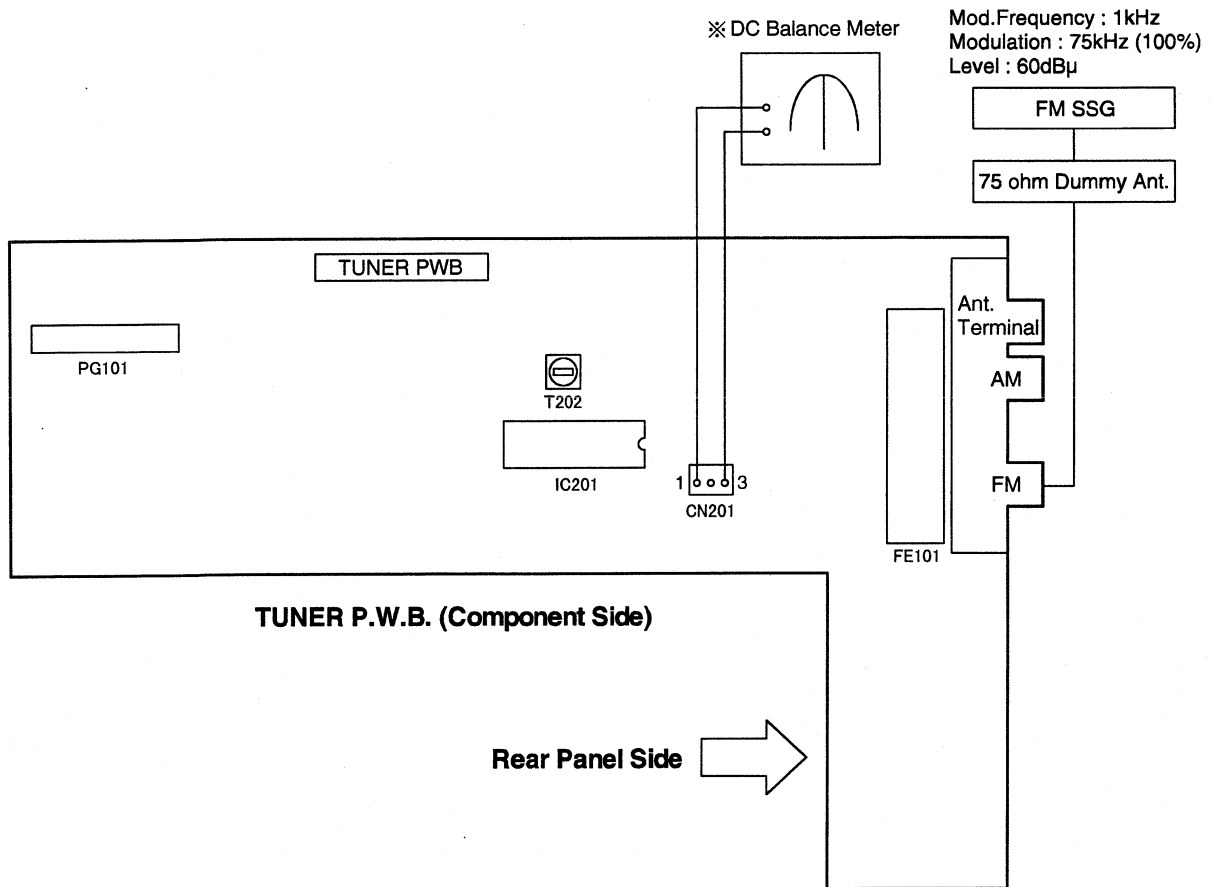
ADJUSTMENT

1. TUNER adjustment (BAND button: FM, MONO/AUTO button: AUTO)

Adjustment item	Tuning point (channel setting)	Input					Output		Adjustment location	Setting value	Notes
		Measuring Instrument	Frequency	Input level	Modulation	Connection location	Measuring instrument	Connection location			
FM DC balance	98.00MHz	FM S.G.	98.00MHz	60dB μ	1kHz 75kHz DEV	FM antenna terminal	DC balance * meter	⊕ CN201 ⊖ CN201	T202	0 \pm 30mV	Perform with monaural modulation signal

※ or Digital volt meter (DC)

WIRING/ADJUSTING POINTS



SEMICONDUCTORS

● MICROPROCESSOR

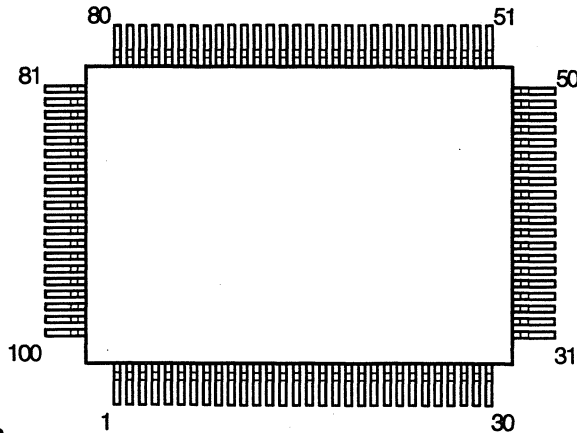
μPD780208GF-026-3BA

Except U.S.A./Canada models

μPD780208GF-028-3BA

U.S.A./Canada models

(IC601)



● μPD780208 (IC601) Terminal Function

Pin No.	Port	Symbol	I/O	Det	Res	Ext	Act	INT	MO	Function
1	VDD	VDD	—	—	—	—	—	—	—	Positive power
2	P37	FL_DATA7	I	Lv	Z	Pd	—	L	—	FL display data input (bit 7)
3	P36/BUZ	FL_DATA6	I	Lv	Z	Pd	—	L	—	FL display data input (bit 6)
4	P35/PCL	FL_DATA5	I	Lv	Z	Pd	—	L	—	FL display data input (bit 5)
5	P34/TI2	FL_DATA4	I	Lv	Z	Pd	—	L	—	FL display data input (bit 4)
6	P33/TI1	FL_DATA3	I	Lv	Z	Pd	—	L	—	FL display data input (bit 3)
7	P32/TO2	FL_DATA2	I	Lv	Z	Pd	—	L	—	FL display data input (bit 2)
8	P31/TO1	FL_DATA1	I	Lv	Z	Pd	—	L	—	FL display data input (bit 1)
9	P30/TO0	FL_DATA0	I	Lv	Z	Pd	—	L	—	FL display data input (bit 0)
10	RESET	RESET	—	—	—	—	L	—	—	μcom reset input
11	X2	X2	I	—	—	—	—	—	—	X'tal connection for main clock oscillation
12	X1	X1	—	—	—	—	—	—	—	X'tal connection for main clock oscillation
13	IC	IC	—	—	—	—	—	—	—	Internal connection to Vss
14	XT2	XT2	I	—	—	—	—	—	—	X'tal connection for sub-clock oscillation, not used: NC
15	P04/XT1	P04/XT1	—	—	Z	—	—	—	—	X'tal connection for sub-clock oscillation, not used: Connect to Vss or VDD
16	VDD	VDD	I	—	—	—	—	—	—	Positive power
17	P27/SCK0	DB_CLK	O	—	Z	—	—	H	—	DENON BUS clock output
18	P26/SO0/SB1	DB_TXD	O	—	Z	—	—	H	—	DENON BUS data output
19	P25/SI0/SB0	DB_RXD	I	Ed	Z	—	—	—	—	DENON BUS data input
20	P24/BUSY	RDSRST	O	—	Z	—	L	H	—	RDS IC reset output
21	P23/SIB	DATA_CE	O	—	Z	—	H	L	—	Data bus (for PLL, VOL, RDS IC) chip enable output
22	P22/SCK1	DATA_CLK	O	—	Z	—	—	H	—	Data bus (for PLL, VOL, RDS IC) clock output
23	P21/SO1	DATA_TXD	O	—	Z	—	—	H	—	Data bus (for PLL, VOL, RDS IC) data output
24	P20/SI1	DATA_RXD	I	Ed	Z	—	—	—	—	Data bus (for PLL, VOL, RDS IC) data input
25	AVSS	AVSS	—	—	—	—	—	—	—	A/D converter GND potential
26	P17/AN7	FL_REQ	I	Lv	Z	—	L	—	—	FL display request input
27	P16/AN6	FL_CE	O	—	Z	—	—	H	—	FL display chip enable output
28	P15/AN5	FL_EN	I	Lv	Z	—	—	—	—	FL display data enable input
29	P14/AN4	WAKEUP	I	Lv	Z	—	H	L	—	Power on request signal from CD
30	P13/AN3	SEL-EEPROM	O	—	Z	—	H	L	—	EEPROM chip enable output
31	P12/AN2	F_CD	O	—	Z	—	H	—	—	Function CD output
32	P11/AN1	KEY2	I	A	Z	Pu	—	—	—	Unit operation button input 2
33	P10/AN0	KEY1	I	A	Z	Pu	—	—	—	Unit operation button input 1
34	AVDD	AVDD	—	—	—	—	—	—	—	A/D converter analog power
35	AVref	AVREF	I	—	—	—	—	—	—	A/D converter ref. V input
36	P03/INIP3	PROTECT	I	Ed	Z	Pu	L	—	—	SP terminal DC voltage detect signal input
37	P02/INIP2	DB_RXD	I	Ed	Z	—	L	—	—	DENON BUS data input (interrupt input)
38	P01/INIP1	50/60	I	Ed	Z	—	L	—	—	50/60 Hz AC input
39	P00/INIP0/II	REMCON	I	Ed	Z	—	—	—	—	Remo-con. receive data input
40	Vss	VSS	—	—	—	—	—	—	—	GND potential
41	P74	---	O	—	Z	—	—	—	N	Not used
42	P73	---	O	—	Z	—	—	—	N	Not used

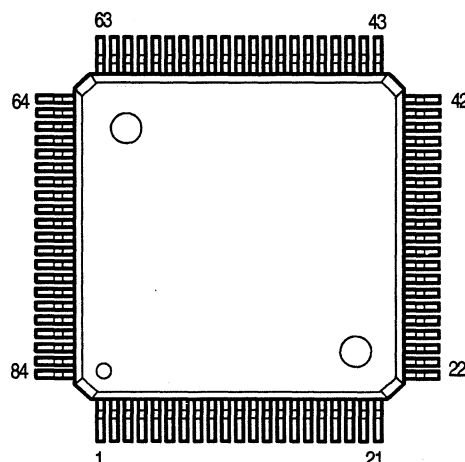
Pin No.	Port	Symbol	I/O	Det	Res	Ext	Act	INT	MO	Function
43	P72	EQ1	O	—	Z	Pu	—	—	N	Graph-eq. IC switching signal output
44	P71	EQ2	O	—	Z	Pu	—	—	N	Graph-eq. IC switching signal output
45	P70	TMUTE	O	—	Z	Pu	L	—	N	Tuner mute output, mute on: Lo
46	VDD	VDD	—	—	—	—	—	—	N	Positive power
47	P127/FIP52	ENC_A	I	Lv	Z	Pu	—	—	N	Rotary encoder input
48	P126/FIP51	ENC_B	I	Lv	Z	Pu	—	—	N	Rotary encoder input
49	P125/FIP50	---	O	—	Z	—	—	—	N	Not used
50	P124/FIP49	---	O	—	Z	—	—	—	N	Not used
51	P123/FIP48	---	O	—	Z	—	—	—	N	Not used
52	P122/FIP47	---	O	—	Z	—	—	—	N	Not used
53	P121/FIP46	SD	I	Lv	Z	Pu	L	—	N	FM/AM tuning signal input, tuned: Lo
54	P120/FIP45	ST IND	I	Lv	Z	Pu	L	—	N	FM stereo demodulation detect input, stereo: Lo
55	P117/FIP44	USA	I	Lv	Z	—	—	—	N	Initial setting input
56	P116/FIP43	EUR	I	Lv	Z	—	—	—	N	Initial setting input
57	P115/FIP42	FREQ	I	Lv	Z	—	—	—	N	Initial setting input
58	P114/FIP41	RDS	I	Lv	Z	—	—	—	N	Initial setting input
59	P113/FIP40	---	O	—	Z	—	—	—	N	Not used
60	P112/FIP39	---	O	—	Z	—	—	—	N	Not used
61	P111/FIP38	---	O	—	Z	—	—	—	N	Not used
62	P110/FIP37	---	O	—	Z	—	—	—	N	Not used
63	P107/FIP36	---	O	—	Z	—	—	—	N	Not used
64	P106/FIP35	---	O	—	Z	—	—	—	N	Not used
65	P105/FIP34	---	O	—	Z	—	—	—	N	Not used
66	P104/FIP33	---	O	—	Z	—	—	—	N	Not used
67	P103/FIP32	V. MUTE	O	—	Z	Pd	H	H	N	Volume mute output, mute: Hi
68	P102/FIP31	POWER	O	—	Z	Pd	L	L	N	Amp circuit power on/off output, on: Lo
69	P101/FIP30	AUTO/MONO	O	—	Z	—	—	—	N	FM AUTO/MONO switching, MONO: Hi
70	P100/FIP29	RMUTE	O	—	Z	Pd	L	L	N	Speaker relay on/off output, on:
71	P97/FIP28	---	O	—	Z	—	—	—	N	Not used
72	P96/FIP27	SEG1	O	—	Z	Pd	—	—	N	Segment output 1
73	P95/FIP26	SEG2	O	—	Z	Pd	—	—	N	Segment output 2
74	P94/FIP25	SEG3	O	—	Z	Pd	—	—	N	Segment output 3
75	P93/FIP24	SEG4	O	—	Z	Pd	—	—	N	Segment output 4
76	P92/FIP23	SEG5	O	—	Z	Pd	—	—	N	Segment output 5
77	P91/FIP22	SEG6	O	—	Z	Pd	—	—	N	Segment output 6
78	P90/FIP21	SEG7	O	—	Z	Pd	—	—	N	Segment output 7
79	VLOAD	VLOAD	—	—	—	—	—	—	N	FL driver pull-down resistor connection (−30V)
80	P87/FIP20	SEG8	O	—	Z	Pd	—	—	—	Segment output 8
81	P86/FIP19	SEG9	O	—	Z	Pd	—	—	N	Segment output 9
82	P85/FIP18	SEG10	O	—	Z	Pd	—	—	N	Segment output 10
83	P84/FIP17	SEG11	O	—	Z	Pd	—	—	N	Segment output 11
84	P83/FIP16	SEG12	O	—	Z	Pd	—	—	N	Segment output 12
85	P82/FIP15	SEG13	O	—	Z	Pd	—	—	N	Segment output 13
86	P81/FIP14	SEG14	O	—	Z	Pd	—	—	N	Segment output 14
87	P80/FIP13	SEG15	O	—	Z	Pd	—	—	N	Segment output 15
88	FIP12	SEG16	O	—	Z	Pd	—	—	—	Segment output 16
89	FIP11	DIG12	O	—	Z	Pd	—	—	—	Digit output 12
90	FIP10	DIG11	O	—	Z	Pd	—	—	—	Digit output 11
91	FIP9	DIG10	O	—	Z	Pd	—	—	—	Digit output 10
92	FIP8	DIG9	O	—	Z	Pd	—	—	—	Digit output 9
93	FIP7	DIG8	O	—	Z	Pd	—	—	—	Digit output 8
94	FIP6	DIG7	O	—	Z	Pd	—	—	—	Digit output 7
95	FIP5	DIG6	O	—	Z	Pd	—	—	—	Digit output 6
96	FIP4	DIG5	O	—	Z	Pd	—	—	—	Digit output 5
97	FIP3	DIG4	O	—	Z	Pd	—	—	—	Digit output 4
98	FIP2	DIG3	O	—	Z	Pd	—	—	—	Digit output 3
99	FIP1	DIG2	O	—	Z	Pd	—	—	—	Digit output 2
100	FIP0	DIG1	O	—	Z	Pd	—	—	—	Digit output 1

Det / Lv: Level detect, Ed: Edge detect, A: Analog volt detect

Res / Z: Hi-impedance at reset

Ext / Pd: Pull-down, Pu: Pull-up

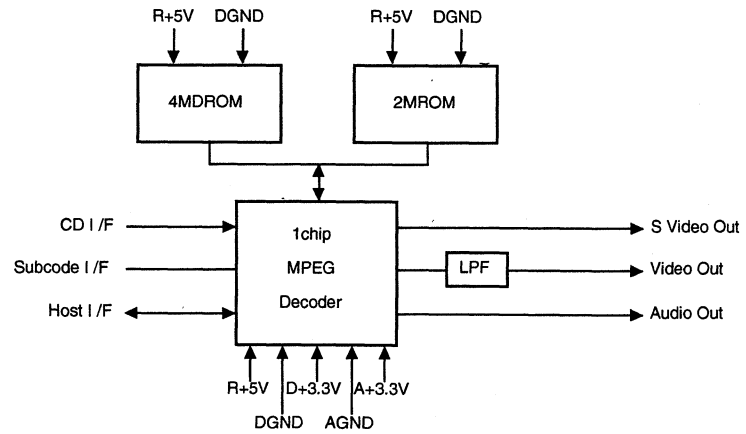
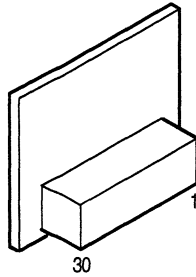
Mo / Y: with mask option, N: without mask option

MN1874823PC
(IC901)

●MN1874823PC Terminal Function

Pin No.	Symbol	Port	I/O	Log	INT	Typ	Function
1	KEY1	P21/ADIN1	I	A/D	Hi-z	—	Not used: Unit A/D key input
2	KEY0	P20/ADIN0	I	A/D	Hi-z	—	Not used: Unit A/D key input
3	VDD	VREFH	I	—	—	—	Ref. V for analog input (LOW)
4	+5V	VDD	—	—	—	—	μcom power voltage
5	8Mhz	OSC2	O	—	—	—	μcom system clock output
6	8Mhz	OSC1	I	—	—	—	μcom system clock input
7	GND	VSS	—	—	—	—	μcom GND
8	GND	XI	I	—	—	—	Not used: μcom sub-clock input
9	---	XO	O	—	—	—	Not used: μcom sub-clock output
10	GND	CM	I	—	—	—	μcom chip mode select input
11	HCK	P93/SBT2	O	—	Hi-z	C	VCD module clock output, CD: Ext. PU
12	HDIO	P92/SBI2	I	—	Hi-z	—	VCD module data input, CD: Ext. UP
13	HDIO	P91/SBO2	O	—	Hi-z	C	VCD module data output
14	HSEL	P90/BUZ	O	—	Hi-z	C	VCD module serial communication select output
15	GND	VPP	—	—	—	—	VPP: connect to GND
16	NC	P67/SEG15	O	—	Hi-z	P	Not used: Lo output at NC
17	NC	P66/SEG14	O	—	Hi-z	P	Not used: Lo output at NC
18	NC	P65/SEG13	O	—	Hi-z	P	Not used: Lo output at NC
19	NC	P64/SEG12	O	—	Hi-z	P	Not used: Lo output at NC
20	NC	P63/SEG11	O	—	Hi-z	P	Not used: Lo output at NC
21	NC	P62/SEG10	O	—	Hi-z	P	Not used: Lo output at NC
22	ENOUT	P61/SEG9	O	—	Hi-z	P	FL display data enable output
23	RQOUT	P60/SEG8	O	—	Hi-z	P	FL display request output
24	DATA7	P57/SEG7	O	—	L	P	FL display data output (bit 7)
25	DATA6	P56/SEG6	O	—	L	P	FL display data output (bit 6)
26	DATA5	P55/SEG5	O	—	L	P	FL display data output (bit 5)
27	DATA4	P54/SEG4	O	—	L	P	FL display data output (bit 4)
28	DATA3	P53/SEG3	O	—	L	P	FL display data output (bit 3)
29	DATA2	P52/SEG2	O	—	L	P	FL display data output (bit 2)
30	DATA1	P51/SEG1	O	—	L	P	FL display data output (bit 1)
31	DATA0	P50/SEG0	O	—	L	P	FL display data output (bit 0)
32	NC	P77/DGT0	O	—	L	P	Not used: Lo output at NC
33	POWER	P76/DGT1	O	—	L	P	WAKEUP output for CD, on request: Hi
34	LED3G	P75/DGT2	O	—	L	P	Disc 3 green LED output, light: Hi
35	LED3R	P74/DGT3	O	—	L	P	Disc 3 red LED output, light: Hi
36	LED2G	P73/DGT4	O	—	L	P	Disc 2 green LED output, light: Hi
37	LED2R	P72/DGT5	O	—	L	P	Disc 2 red LED output, light: Hi
38	LED1G	P71/DGT6	O	—	L	P	Disc 1 green LED output, light: Hi
39	LED1R	P70/DGT7	O	—	L	P	Disc 1 red LED output, light: Hi
40	TRAY-	P87/DGT8	O	—	Hi-z	P	Changer mecha. cam motor- (X2M)/CD mecha. open (X2S)
41	TRAY+	P86/DGT9	O	—	Hi-z	P	Changer mecha. cam motor+ (X2M)/CD mecha. close (X2S)
42	CAM-	P85/DGT10	O	—	Hi-z	P	Changer mecha. cam motor- (X2M)/Not used NC (X2S)

Pin No.	Symbol	Port	I/O	Log	INT	Typ	Function
43	CAM+	P84/DGT11	O		Hi-z	P	Changer mecha. cam motor+ (X2M)/Not used NC (X2S)
44	CDPWR	P83/DGT12	O		Hi-z	P	CD power control output, power on: Hi
45	DRVMT	P82/DGT13	O		Hi-z	P	Driver mute output, mute: Lo
46	DMUTE	P81/DGT14	O		Hi-z	P	CD-DSP DMUTE, mute: Hi/Not used NC (X2S)
47	AMUTE	P80/DGT15	O		Hi-z	P	Audio mute output, mute: Hi
48	---	SYNC	O	---	Hi-z	C	Not used: NC
49	TLOCK	P17/PWM2	I	---	Hi-z		CD-DSP TLOCK input (X2M)/Not used ext. DW (X2S)
50	FLOCK	P16/PWM1	I	---	Hi-z		CD-DSP FLOCK input (X2M)/Not used ext. SW (X2S)
51	SENSE	P15/RMOUT	I	---	Hi-z		CD-DSP SENSE input (X2M)/Not used ext. DW (X2S)
52	MCLK	P14/TCO35	O	---	Hi-z	C	CD-DSP serial communication clock output
53	STAT	P13/TCIO4	I	---	Hi-z		CD-DSP serial communication status input
54	MDATA	P12/TCI3	O	---	Hi-z	C	CD-DSP serial communication data output
55	MLD	P11/TCO1	O	---	Hi-z	C	CD-DSP serial communication load output
56	SRST	P10/TCIO0	O		Hi-z	C	CD-DSP reset output, reset: Hi
57	RESET	P07/RST	I		Hi-z		μcom reset input, reset: Lo
58	VRST	P06/PSBT0	O		Hi-z	C	VCD module reset output, reset: Hi
59	SQCK	P05/SBT1	O	---	Hi-z	C	Sub Q code clock output
60	SUBQ	P04/SBI1	I	---	Hi-z		Sub Q code data input
61	NTSC/PAL	P03/SBO1	I	---	Hi-z		NTSC/PAL switching input, NTSC: Lo
62	BUSCLK	P02/SBT0	I	---	Hi-z		DENON BUS communication clock input
63	BUSI	P01/SBI0	I	---	Hi-z		DENON BUS communication data input
64	BUSO	P00/SBO0	O	---	Hi-z	C	DENON BUS communication data output
65	TRYSW4	P47	I	---	Hi-z		Changer mecha. tray SW4 (X2M)/Not used ext. DW (X2S)
66	TRYSW3	P46	I	---	Hi-z		Changer mecha. tray SW3 (X2M)/Not used ext. DW (X2S)
67	TRYSW2	P45	I	---	Hi-z		Changer mecha. tray SW2 (X2M)/CD mecha. close SW (X2S)
68	TRYSW1	P44	I	---	Hi-z		Changer mecha. tray SW1 (X2M)/CD mecha. open SW (X2S)
69	CANSW4	P43	I	---	Hi-z		Changer mecha. cam SW4 (X2M)/Not used ext. DW (X2S)
70	CAMSW3	P42	I	---	Hi-z		Changer mecha. cam SW3 (X2M)/Not used ext. DW (X2S)
71	CAMSW2	P41	I	---	Hi-z		Changer mecha. cam SW2 (X2M)/Not used ext. DW (X2S)
72	CAMSW1	P40	I	---	Hi-z		Changer mecha. cam SW1 (X2M)/Not used ext. DW (X2S)
73	HRDY	P34/PWM0	I	---	Hi-z		VCD module ready input, CD: Ext. up
74	PWRSW	P33/IRQ3	I		Hi-z		Power on SW input, SW push: Lo
75	HINT	P32/IRQ2	I	---	Hi-z		VCD module interrupt input, CD: Ext. up
76	CE	P31/IRQ1	I	---	Hi-z		FL display CE interrupt input
77	BUSINT	P30/IRQ0	I	---	Hi-z		DENON BUS communication interrupt input
78	GND	VREFL	I	---	Hi-z		Ref. V for analog input (LOW)
79	CD/VCD	P27/ADIN7	I	---	Hi-z		CD/VCD switching input, CD: Lo
80	LMTSW	P26/ADIN6	I		Hi-z		Pickup inner-most detect input, inner-most: Lo at on
81	F.CD	P25/ADIN5	I		Hi-z		CD function input, CD: Hi
82	KEY4	P24/ADIN4	I	A/D	Hi-z		Not used: Unit A/D key input
83	KEY3	P23/ADIN3	I	A/D	Hi-z		Not used: Unit A/D key input
84	KEY2	P22/ADIN2	I	A/D	Hi-z		Not used: Unit A/D key input

RD-DVK023-K (IC881)

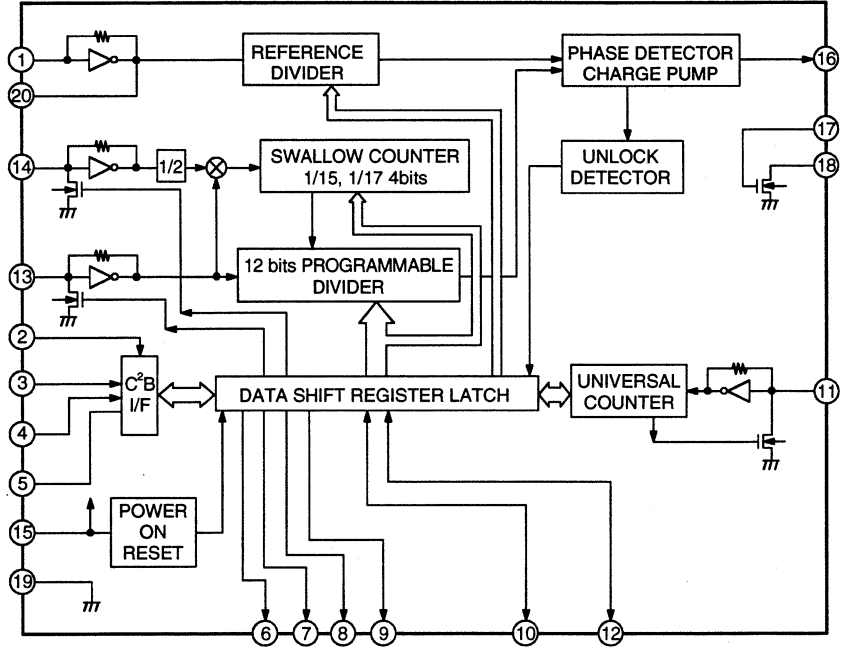
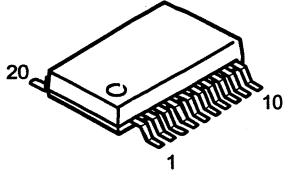


●RD-DVK023-K Terminal Function

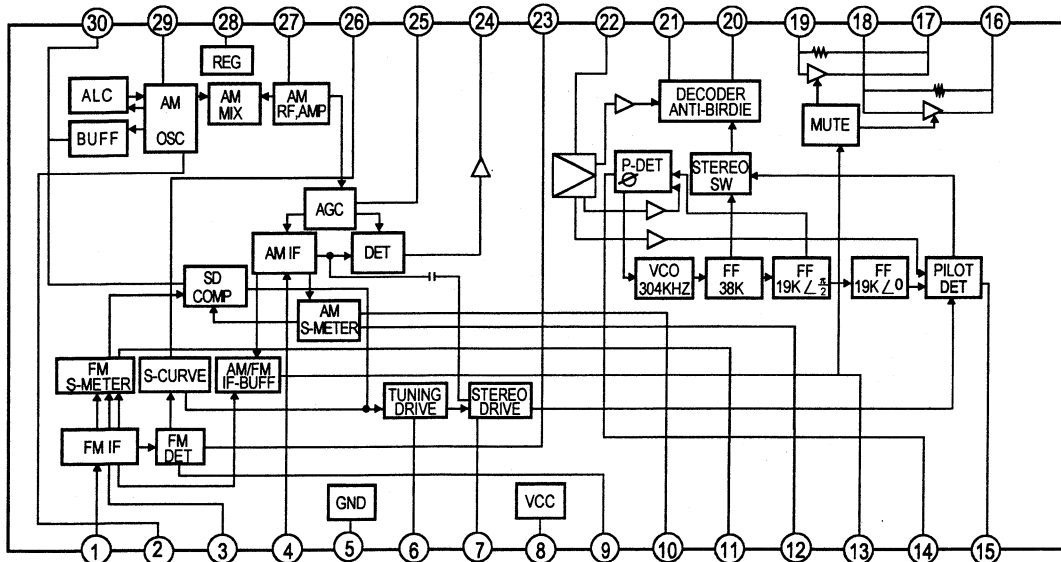
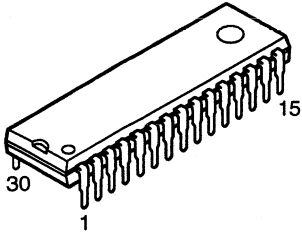
Pin No.	Terminal	I/O	Function
1	A+3.3V		+3.3V power supply for analog video
2	CVOUT	O	Composite video output
3	COUT	O	C video output (s)
4	YOUT	O	Y video output (s)
5	VGND		Analog video ground
6	VGND		Analog video ground
7	R+5V		Digital +5V power supply
8	D+3.3V		Digital +3.3V power supply
9	D+3.3V		Digital +3.3V power supply
10	DGND		Digital ground
11	DGND		Digital ground
12	XCK	I	Audio external frequency clock
13	EMPH	O	Audio emphasis output
14	DILRCK	O	Audio left right clock
15	HRDY	O	Host data ready
16	DISCK	O	Audio bit clock
17	DIDATA	O	Audio data serial bus
18	HINT	O	Host interrupt
19	SBCK	O	Subcode clock for CD-G
20	VRST	I	Hardware reset
21	HCK	I	Host clock
22	HDIO	I/O	Host serial data bus
23	CDSCK	I	CD bit clock
24	CDDATA	I	CD data
25	CDLRCK	I	CD left right clock
26	IPFLG	I	CD data error flag (C2P0)
27	HSEL	I	Host address/ data select
28	SUBC	I	Subcode data for CD-G
29	CLDCK	I	Subcode frame sync for CD-G
30	BLKCK	I	Subcode block for CD-G

● IC's

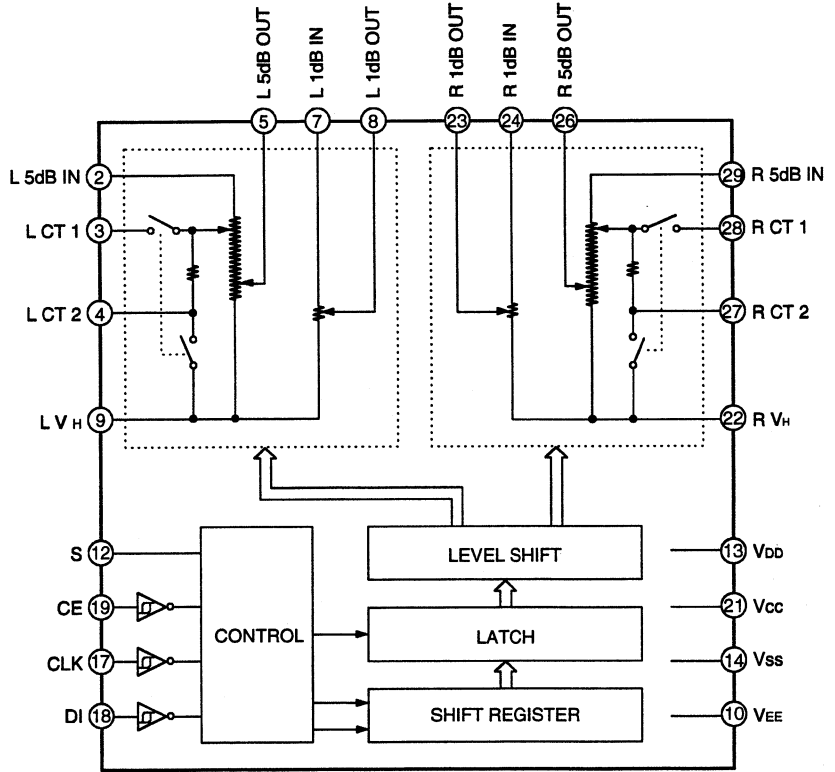
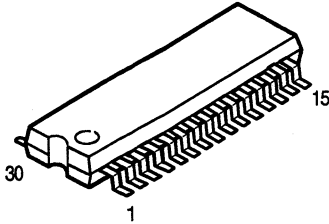
LC72131M (IC101)



LA1837 (IC201)

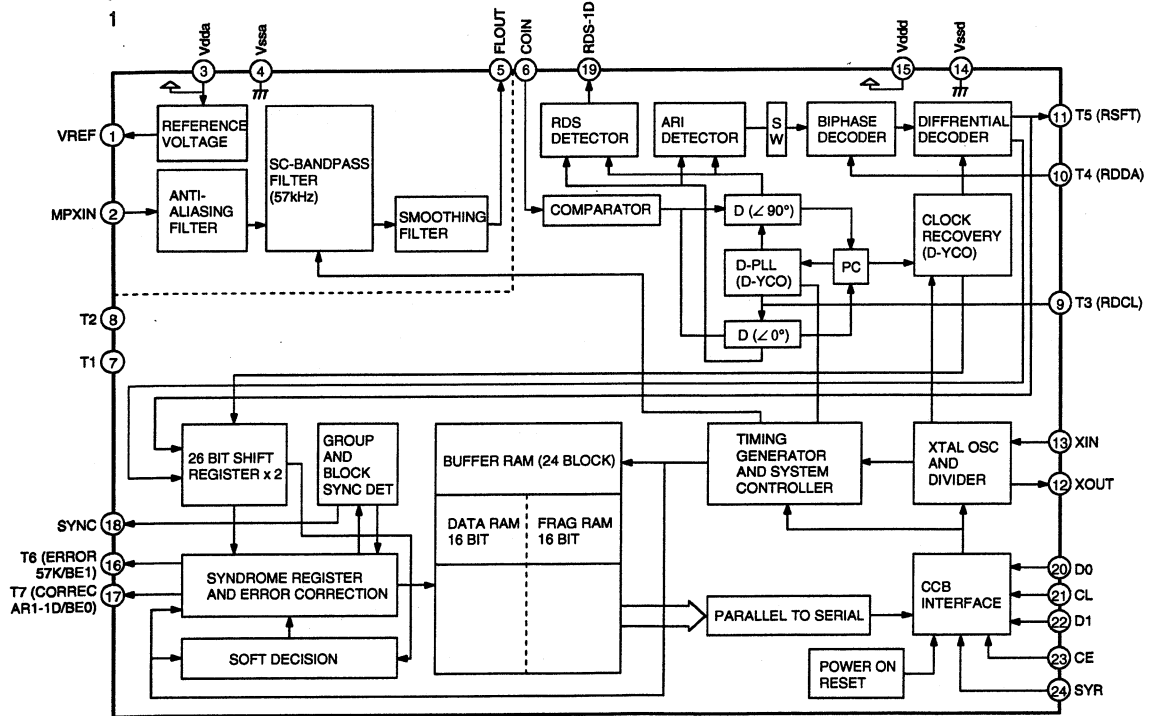
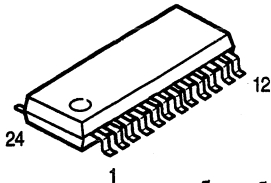


LC7535M (IC401)

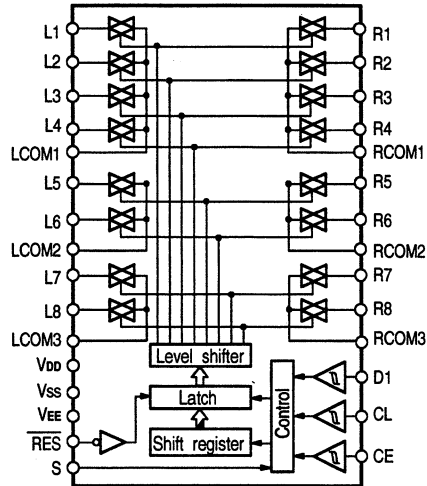
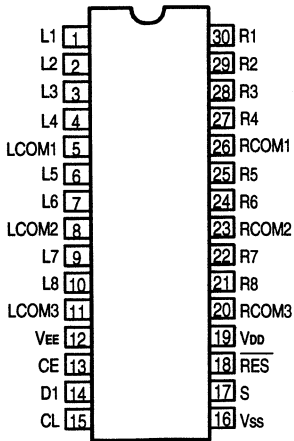


Note: ① ⑥ ⑪ ⑮ ⑯ ⑳ ㉓ ㉔ : NC

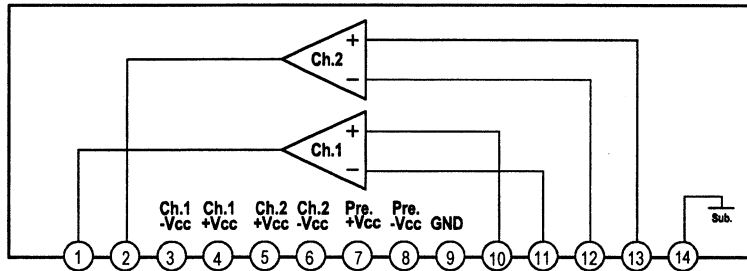
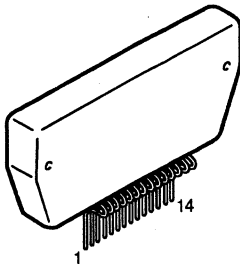
LC72720NM (IC251)



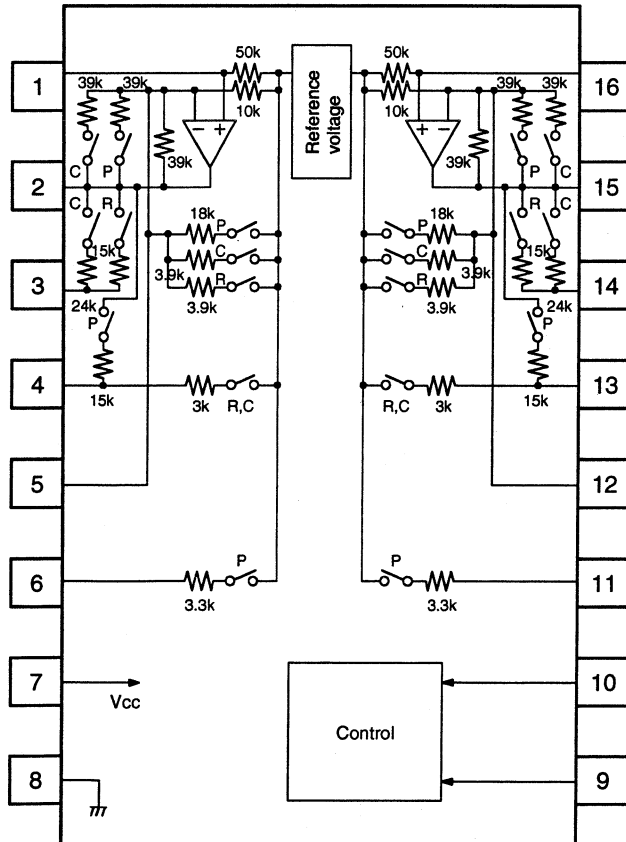
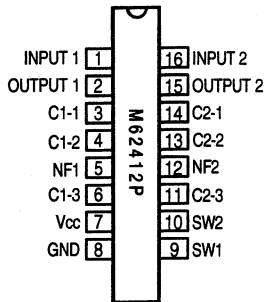
LC78211 (IC302)



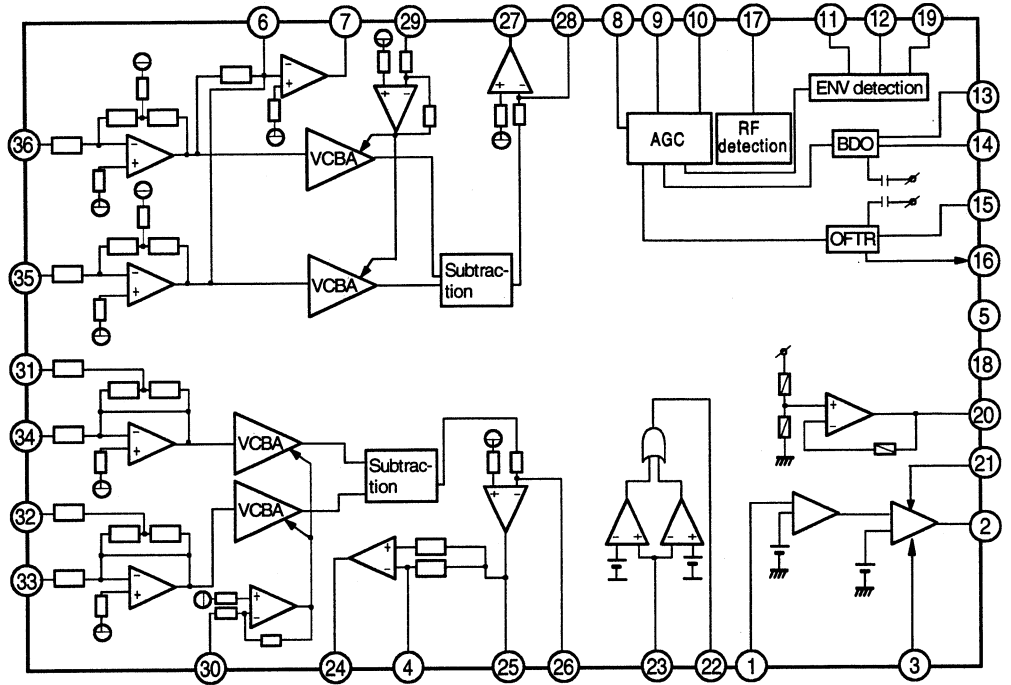
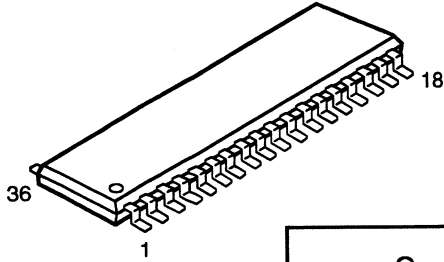
STK405-050A (IC501)



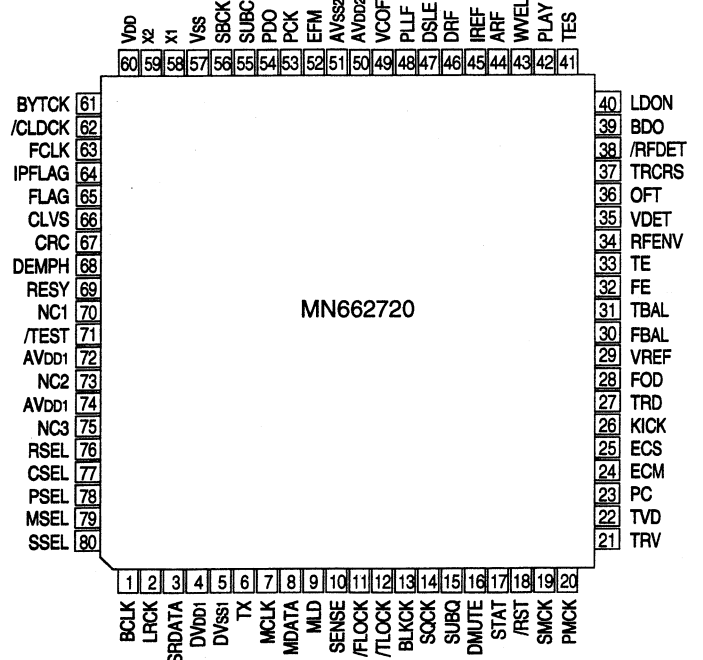
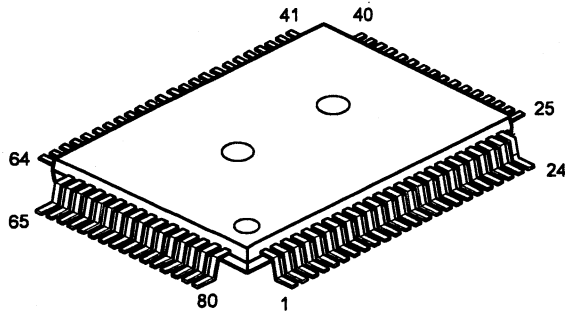
M62412P (IC405)



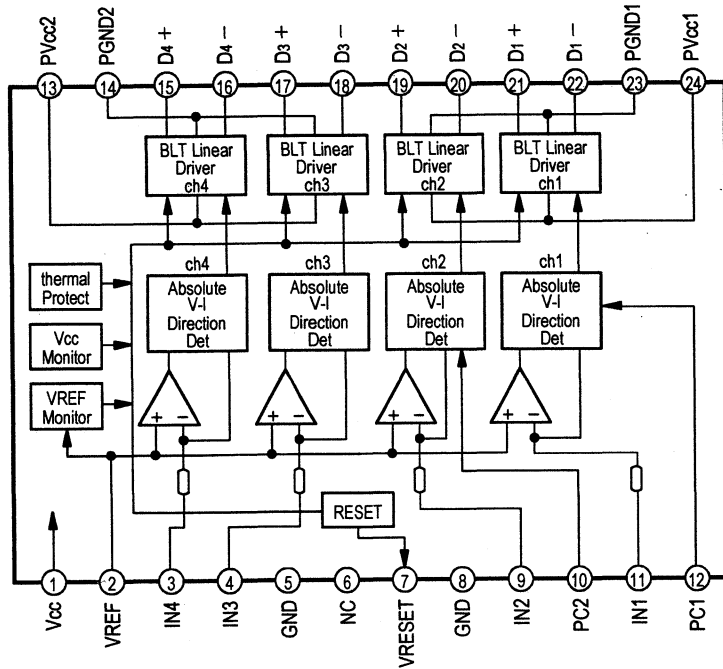
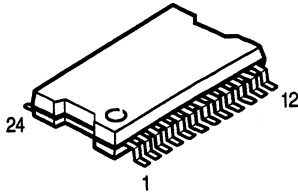
AN8808SB (IC801)



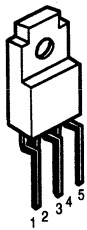
MN662720RB (IC802)



AN8389S (IC803)

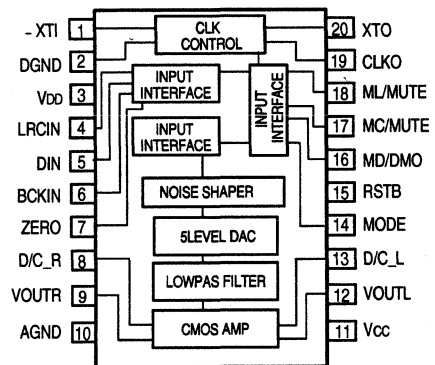
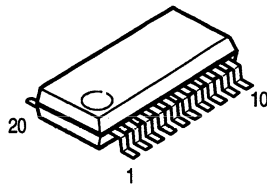


**BA05ST-V5 (IC004)
BA12ST-V5 (IC002)**

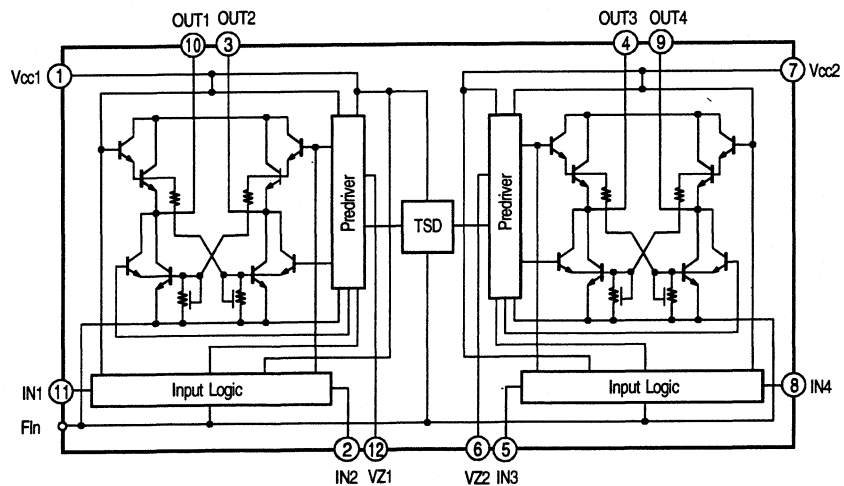
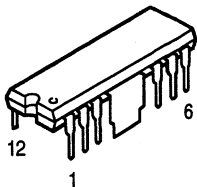


- 1 CTL
- 2 Vcc
- 3 GND
- 4 OUT
- 5 N.C.

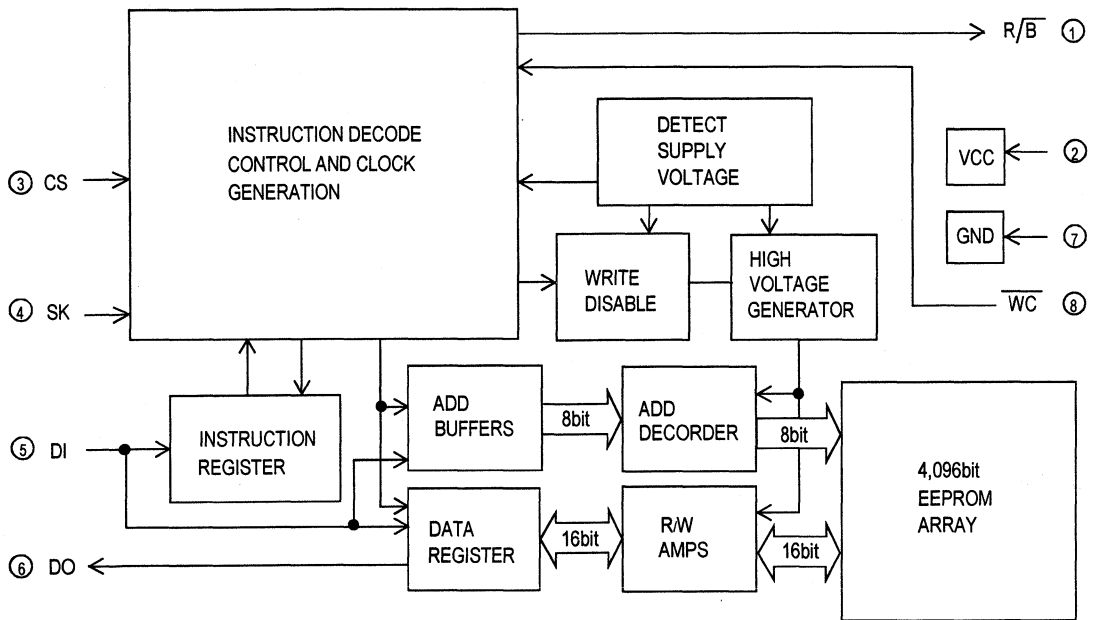
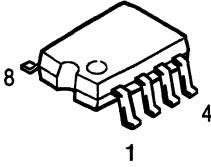
PCM1717E (IC951)



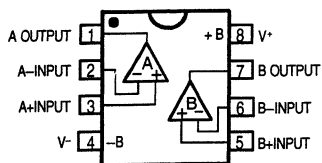
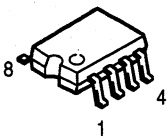
LB1648 (IC895)



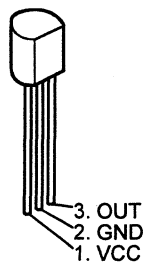
BR9040F (IC602)



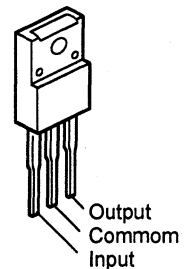
**BA4558F (IC301, 402, 403, 404, 701)
BA15218F (IC952)**



KIA7045P (IC603)

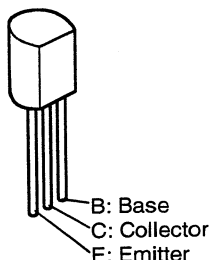


**KIA7806PI (IC001)
KIA7812PI (IC003)
KIA7809PI (IC202)**

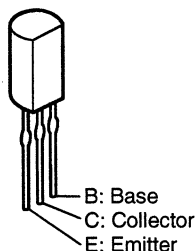


● TRANSISTORS

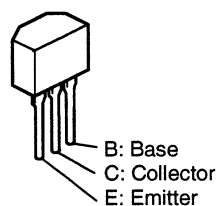
2SA844 (E)



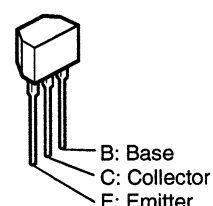
2SB647 (C)
HIT5609C
HIT5610C



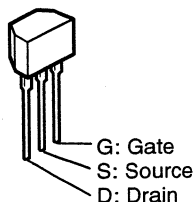
KTA1267



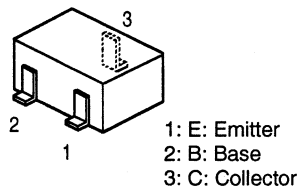
2SA933 (S)
2SC2058S(Q)
2SD1468S



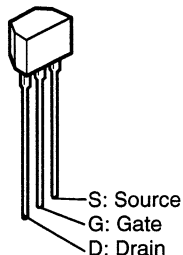
2SK161



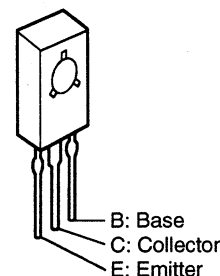
2SA1037K (S)
2SC2412K (S)



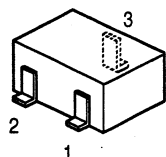
2SK365 (BL/GR)



2SD882 (Q/P)

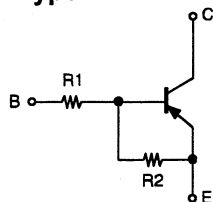


DTA114EK
DTC114EK
DTC124EK
DTA144EK
DTC144EK
DTC323TK



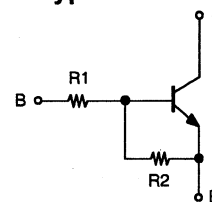
1: GND / Emitter
2: IN / Base
3: OUT / Collector

PNP Type



	R1	R2
DTA114EK	10 kohm	10 kohm
DTA144EK	47 kohm	47 kohm

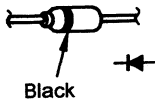
NPN Type



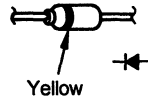
	R1	R2
DTC144EK	47 kohm	47 kohm
DTC323TK	2.2 kohm	—
DTC114EK	10 kohm	10 kohm
DTC124EK	22 kohm	22 kohm

● DIODES (including LED)

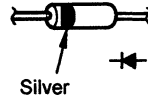
1N4531



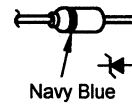
1SS133



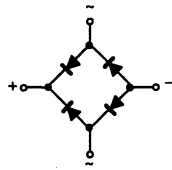
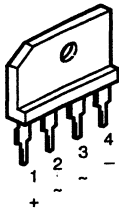
1N4002



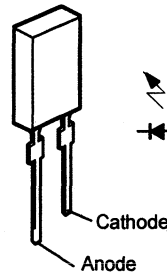
- HZ5B-2
- MTZ-J12C
- MTZ-J27A
- MTZ-J5.1C
- MTZ-J6.2A
- MTZ-J6.8A
- MTZ-J8.2B
- MTZ-J3.9B



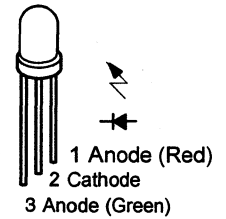
D3SBA60



LH5230/P1 (Red)

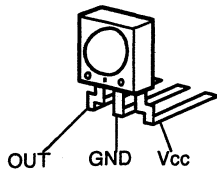


SRR-505MVW



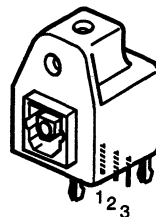
● IR SENSOR

RPM6938-SV4 (IR701)

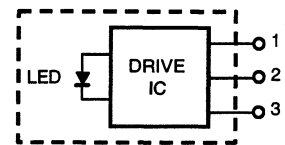


● OPTICAL OUTPUT

GP1F32T (IC804)

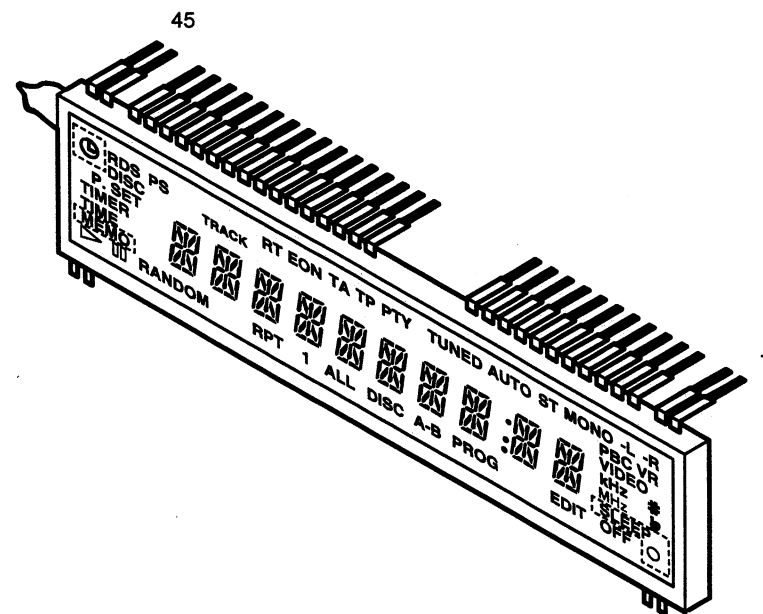


- 1 Vin
- 2 Vcc
- 3 GND



LED : Ga Al As
DRIVE IC : Silicon

● FL DISPLAY SVA-12MM16 (FL701)



Pin Connection

Pin No.	1	2	3	4	5	6	7	8	9	10	11	12	13	14	15	16	17	18	19	20	21	22	23	24
Connection	F1	F1	NP	NP	P1	P2	P3	P4	P5	P6	P7	P8	P9	P10	P11	P12	P13	P14	P15	P16	NX	NX	NX	NX

Pin No.	25	26	27	28	29	30	31	32	33	34	35	36	37	38	39	40	41	42	43	44	45
Connection	NX	NX	NX	NX	NX	12G	11G	10G	9G	8G	7G	6G	5G	4G	3G	2G	1G	NP	NP	F2	F2

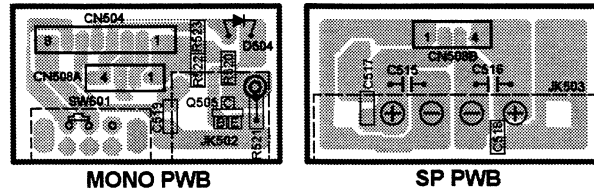
- NOTE
- 1) F1,F2 Filament
 - 2) NP No pin
 - 3) NXNo ext. pin
 - 4) DL Datum line
 - 5) 1G~12G Grid
 - 6) Visual field: upper 39°, lower 17° min.

PRINTED WIRING BOARD

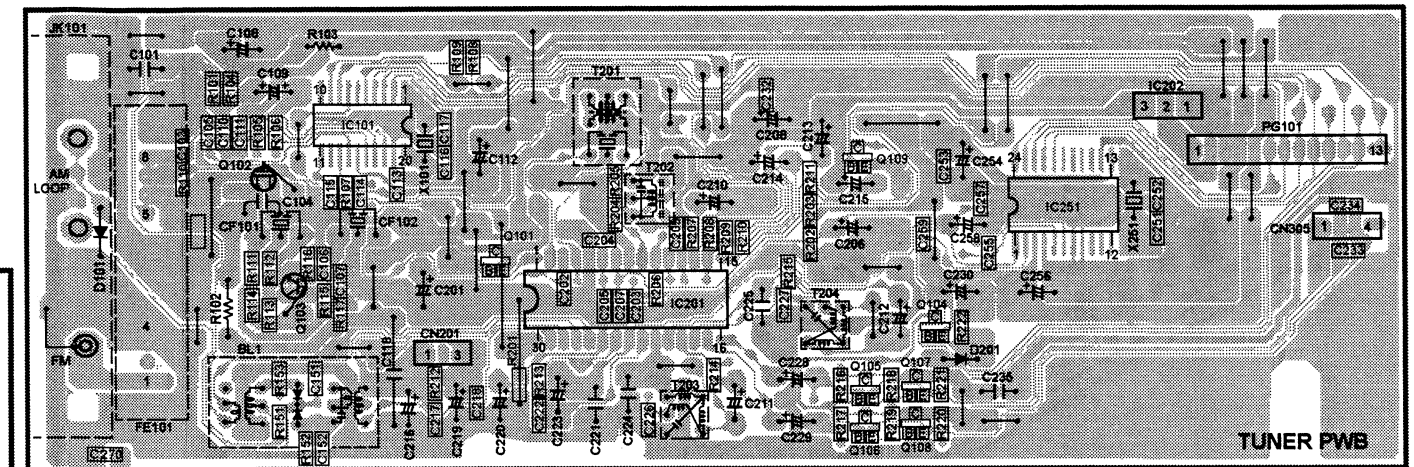
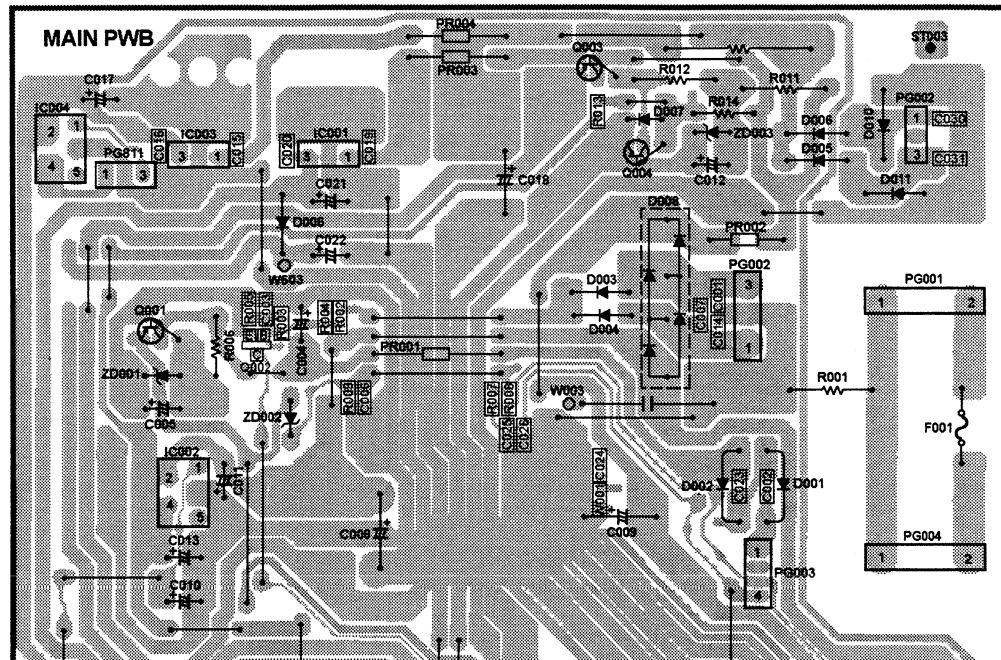
1 2 3 4 5 6 7 8

MAIN / TUNER P.W.B. UNIT

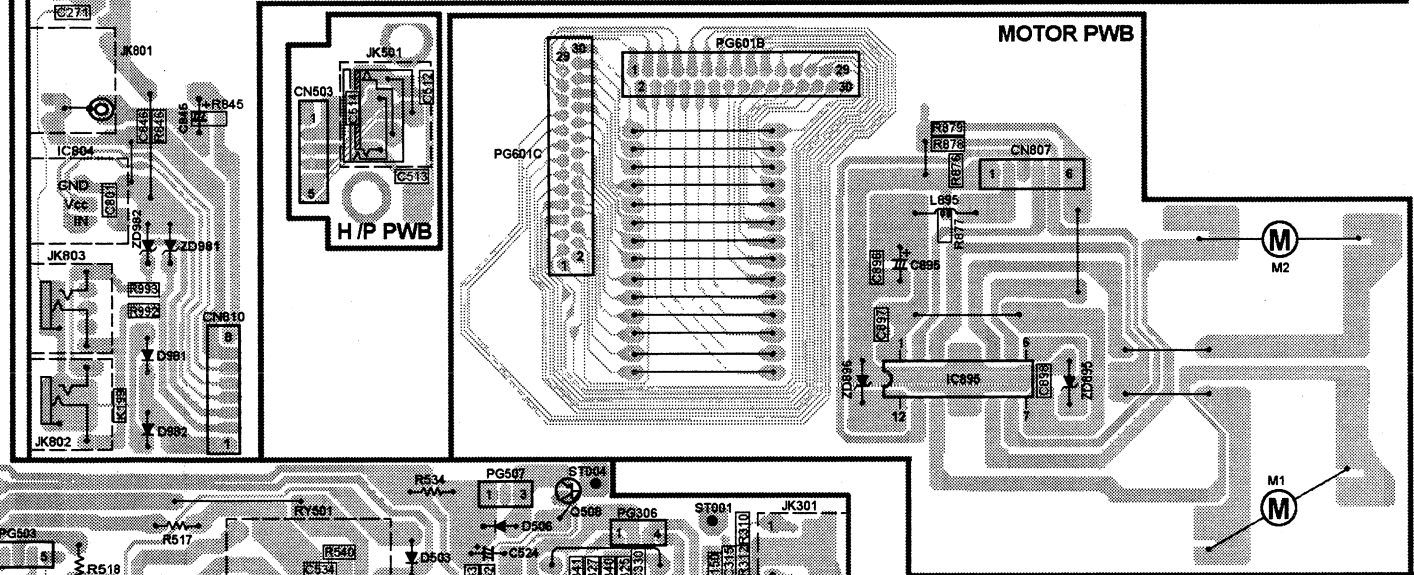
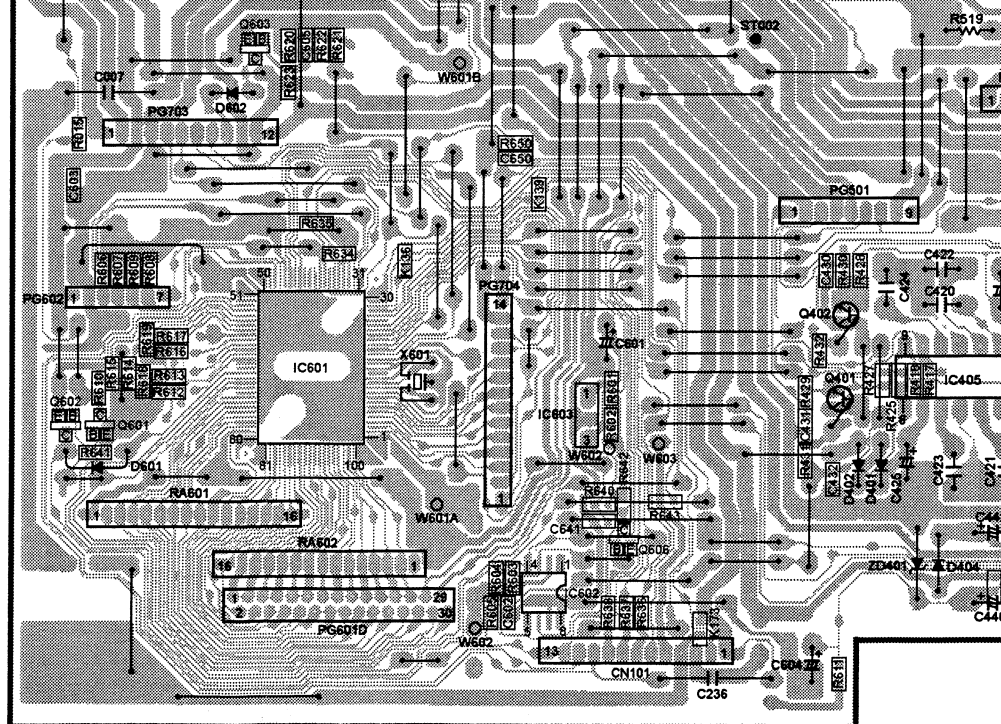
A



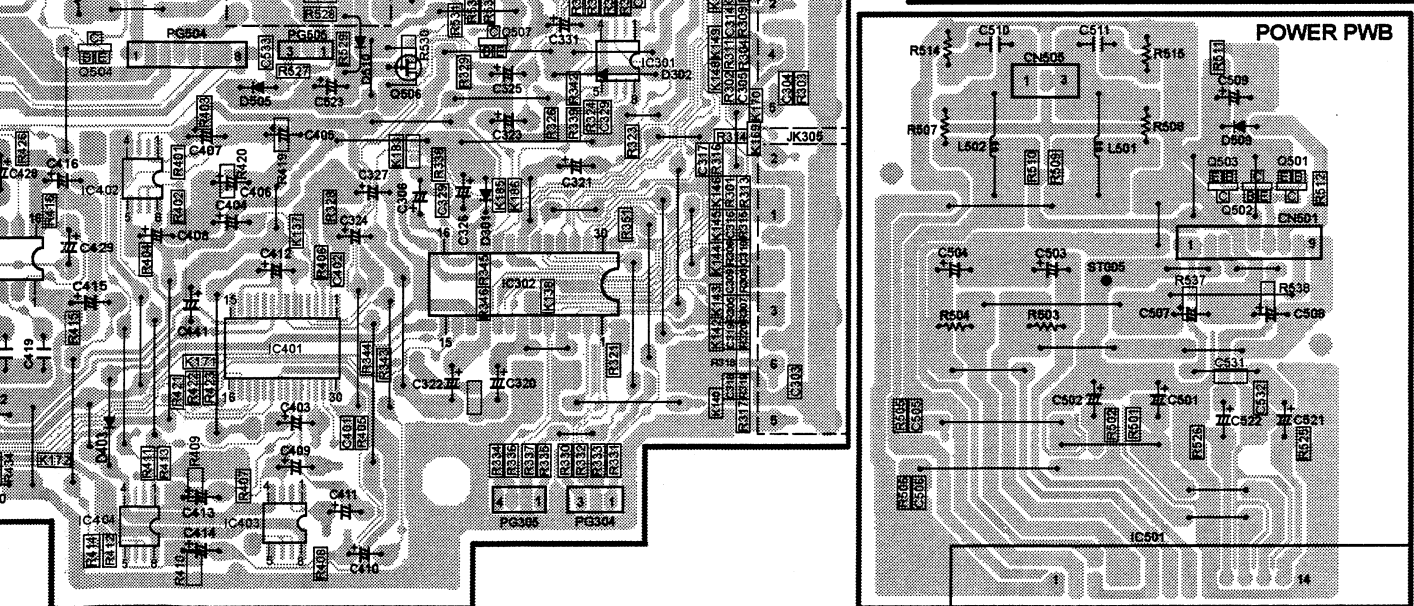
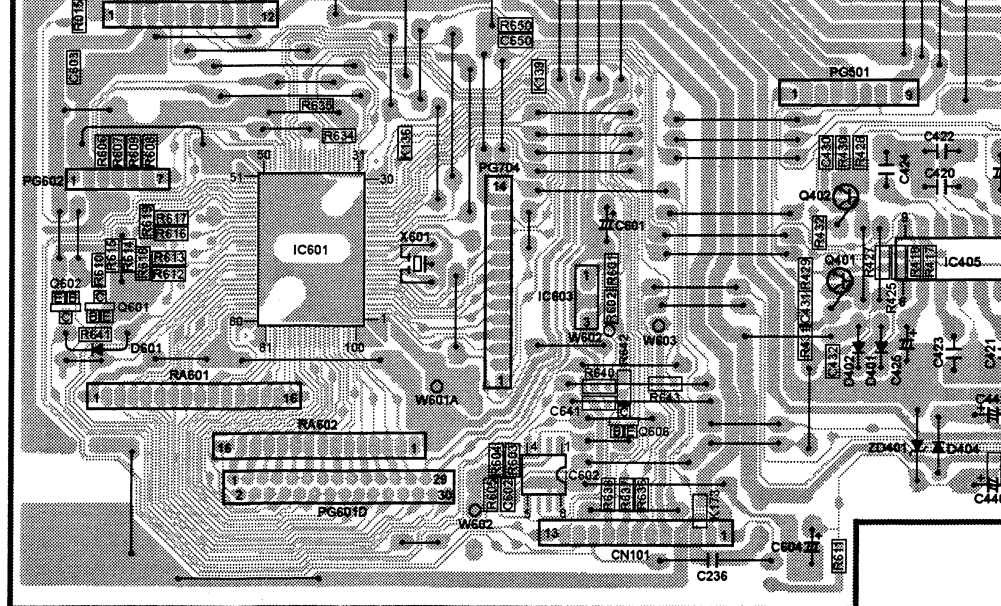
B



C



D

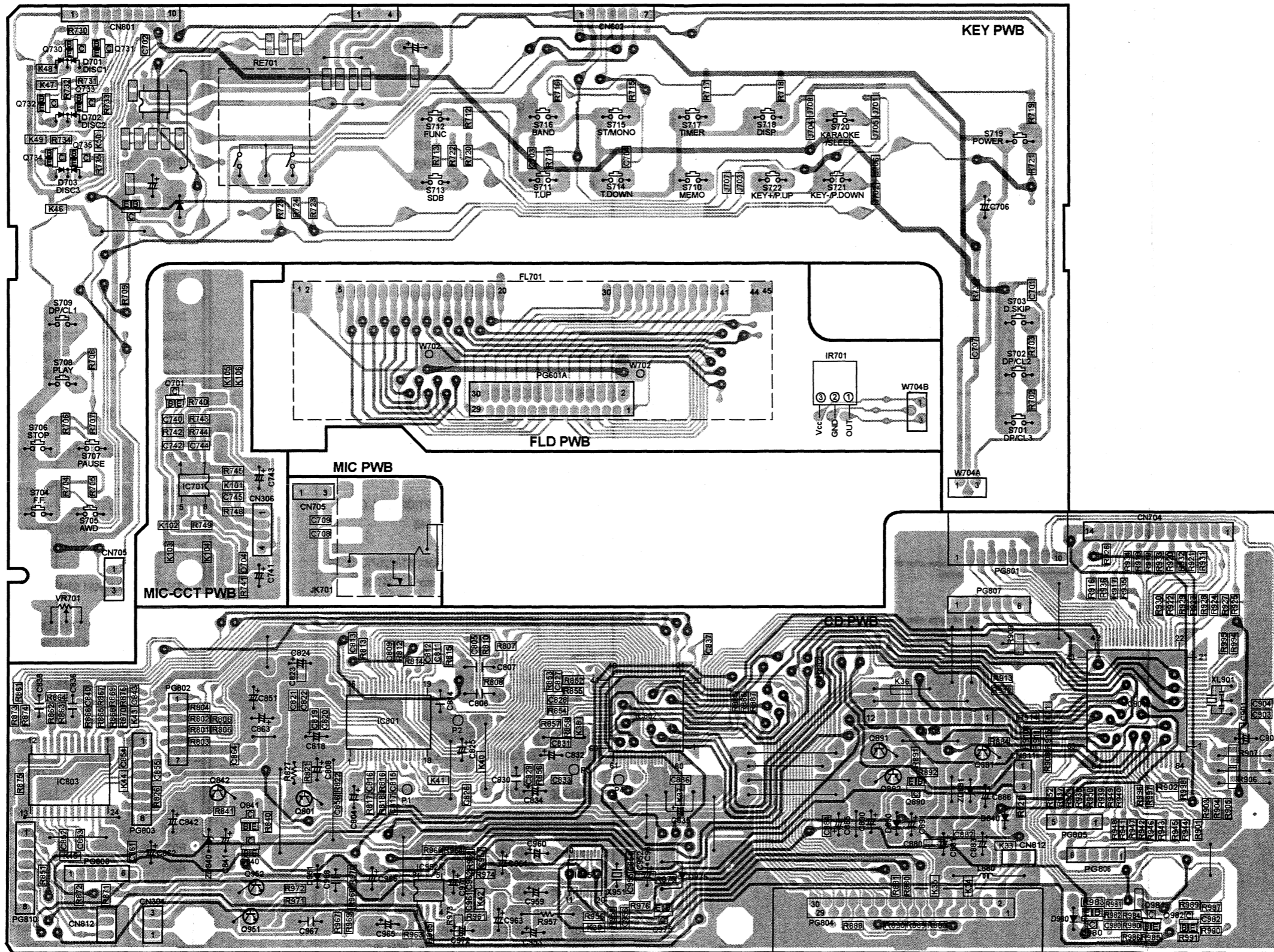


E

PRINTED WIRING BOARD

1 2 3 4 5 6 7 8

CD / DISPLAY P.W.B. UNIT



A
B
C
D
E

NOTE FOR PARTS LIST

- Part indicated with the mark "⊙" are not always in stock and possibly to take a long period of time for supplying, or in some case supplying of part may be refused.
 - When ordering of part, clearly indicate "1" and "I" (i) to avoid mis-supplying.
 - Ordering part without stating its part number can not be supplied.
 - Part indicated with the mark "★" is not illustrated in the exploded view.
 - Not including Carbon Film ±5%, 1/4W Type in the P.W.Board parts list. (Refer to the Schematic Diagram for those parts.)
- WARNING:**
Parts marked with this symbol have critical characteristics. Use ONLY replacement parts recommended by the manufacturer.

● Resistors

Ex.: **RN** **14K** **2E** **182** **G** **FR**
 Type Shape Power Resist- Allowable Others
 and per- ance error
 performance

RD : Carbon	2B : 1/8W	F : ±1%	P : Pulse-resistant type
RC : Composition	2E : 1/4W	G : ±2%	NL : Low noise type
RS : Metal oxide film	2H : 1/2W	J : ±5%	NB : Non-burning type
RW : Winding	3A : 1W	K : ±10%	FR : Fuse-resistor
RN : Metal film	3D : 2W	M : ±20%	F : Lead wire forming
RK : Metal mixture	3F : 3W		
	3H : 5W		

*** Resistance**

$\overset{1}{\text{R}} \overset{8}{\text{2}} \Rightarrow 1800 \text{ ohm} = 1.8 \text{ kohm}$
 Indicates number of zeros after effective number.
 2-digit effective number.

• Units: ohm

$\overset{1}{\text{R}} \overset{2}{\text{2}} \Rightarrow 1.2 \text{ ohm}$
 1-digit effective number.
 2-digit effective number, decimal point indicated by R.

• Units: ohm

● Capacitors

Ex.: **CE** **04W** **1H** **2R2** **M** **BP**
 Type Shape Dielectric Capacity Allowable Others
 and per- strength error
 performance

CE : Aluminum foil electrolytic	0J : 6.3V	F : ±1%	HS : High stability type
CA : Aluminum solid electrolytic	1A : 10V	G : ±2%	BP : Non-polar type
CS : Tantalum electrolytic	1C : 16V	J : ±5%	HR : Ripple-resistant type
CQ : Film	1E : 25V	K : ±10%	DL : For charge and discharge
CK : Ceramic	1V : 35V	M : ±20%	HF : For assuring high frequency
CC : Ceramic	1H : 50V	Z : +80%	U : UL part
CP : Oil	2A : 100V	-20%	C : CSA part
CM : Mica	2B : 125V	P : +100%	W : UL-CSA type
CF : Metallized	2C : 160V	-0%	F : Lead wire forming
CH : Metallized	2D : 200V	C : ±0.25pF	
	2E : 250V	D : ±0.5pF	
	2H : 500V	= : Others	
	2J : 630V		

*** Capacity (electrolyte only)**

$\overset{2}{\text{2}} \overset{2}{\text{2}} \Rightarrow 2200\mu\text{F}$
 Indicates number of zeros after effective number.
 2-digit effective number.

• Units: μF.

$\overset{2}{\text{R}} \overset{2}{\text{2}} \Rightarrow 2.2\mu\text{F}$
 1-digit effective number.
 2-digit effective number, decimal point indicated by R.

• Units: μF.

*** Capacity (except electrolyte)**

$\overset{2}{\text{2}} \overset{2}{\text{2}} \Rightarrow 2200\text{pF} = 0.0022\mu\text{F}$
 (More than 2) — Indicates number of zeros after effective number.
 2-digit effective number.

• Units: μF.

$\overset{2}{\text{2}} \overset{1}{\text{1}} \Rightarrow 220\text{pF}$
 (0 or 1) — Indicates number of zeros after effective number.
 2-digit effective number.

• Units: pF.

• When the dielectric strength is indicated in AC, "AC" is included after the dielectric strength value.

**PARTS LIST OF P.W.B. UNIT
 MAIN P.W.B. UNIT ASS'Y**

Ref. No.	Part No.	Part Name	Remarks	Ref. No.	Part No.	Part Name	Remarks
SEMICONDUCTORS GROUP							
IC001	9LC P024 12	IC KIA7806PI	Asia model only	Q602	9LC A002 92R	Transistor DTA144EK	
IC002	9LC P045 13	IC BA12ST-V5		Q603	9LC A006 91R	Transistor 2SA1037AK	
IC003	9LC P024 16	IC KIA7812PI		Q606	9L2 3163 61R	Transistor DTC114EK	
IC004	9LC P058 71	IC BA05ST-V5					
IC101	9LC K098 31R	IC LC72131M	Except Asia model	D001-006	9L2 3980 61T	Diode 1N4002	U.S.A./Canada models
IC201	9LC P045 01	IC LA1837		D007	9L2 3989 21T	Diode 1N4531/1SS133	
IC202	9LC P024 14	IC KIA7809PI		D008	9L2 3420 63	Diode D3SBA60	
IC251	9LC K098 41R	IC LC72720NM		D009-011	9L2 3980 61T	Diode 1N4002	
IC301	9L2 3883 01R	IC BA4558F		D101	9L2 3989 21T	Diode 1N4531T/1SS133	
IC302	9L2 3016 92W	IC LC78211	D201	9L2 3989 21T	Diode 1N4531T/1SS133		
IC401	9LC K098 51R	IC LC7535M	Except U.S.A./Canada model U.S.A./Canada models	D301,302	9L2 3989 21T	Diode 1N4531T/1SS133	
IC402-404	9L2 3883 01R	IC BA4558F		D401-404	9L2 3989 21T	Diode 1N4531T/1SS133	
IC405	9LC P025 71	IC M62412P		D501	9L2 3989 21T	Diode 1N4531T/1SS133	
IC501	9LC P045 22	IC STK405-050A		D503	9L2 3989 21T	Diode 1N4531T/1SS133	
IC601	9LC K309 63	IC μPD780208-026-3BA		D504	9LC H019 71	LED LH5230/PI	
IC601	9LC K309 64	IC μPD780208-028-3BA		D505,506	9L2 3989 21T	Diode 1N4531T/1SS133	
IC602	9LC K076 11R	IC BR9040F		D601,602	9L2 3989 21T	Diode 1N4531T/1SS133	
IC603	9LC P007 12R	IC KIA7045P		D981,982	9L2 3989 21T	Diode 1N4531T/1SS133	
IC804	269 0098 006	GP1F32T(OPTICAL OUT)		ZD001	9L2 3482 71M	Zener diode MTZJ27A	
IC895	9LC P025 41	IC LB1648		ZD002	9L2 3317 95M	Zener diode HZ5B-2	
Q001	9LC A006 61R	Transistor KTA1267(GR)	ZD003	9L2 3481 93M	Zener diode MTZJ12C		
Q002	9L2 3256 91R	Transistor 2SC2412K	ZD004	9L2 3318 11M	Zener diode HZ7A-1		
Q003	9L2 3286 25T	Transistor 2SB647C	ZD401	9L2 3481 03M	Zener diode MTZJ5.1C		
Q004	9LC A006 61R	Transistor KTA1267(GR)	ZD895	9L2 3481 03M	Zener diode MTZJ5.1C		
Q101	9LC A002 91R	Transistor DTA114EK	ZD896	9L2 3481 31M	Zener diode MTZJ6.8A		
Q102	9LC F011 21R	Transistor 2SK161	ZD981-983	9L2 3481 21M	Zener diode MTZJ6.2A		
Q103	9LC F011 41R	Transistor 2SC2058S(Q)	RESISTORS GROUP				
Q104	9LC A002 91R	Transistor DTA114EK	R001		Composition 2.7Mohm 1/2W	RC14GF2H275KBFO	
Q105-108	9LC A005 81R	Transistor DTC323TK	R002-005		Carbon chip 10kohm 1/16W	U.S.A./Canada models	
Q109	9L2 3163 61R	Transistor DTC114EK	R006		Carbon film 3.3kohm 1/2W	RMC73M-1F103JR	
Q401,402	9L2 3154 22R	Transistor 2SD1468S	R007,008		Carbon chip 100ohm 1/16W	RD14S2H332JB	
Q501	9L2 3256 91R	Transistor 2SC2412K	R011		Carbon film 2.2kohm 1/2W	RMC73M-1J101JR	
Q502	9LC A006 91R	Transistor 2SA1037AK	R012		Carbon film 1kohm 1/4W	RD14S2H222JB	
Q503	9L2 3256 91R	Transistor 2SC2412K	R013		Carbon chip 6.8kohm 1/16W	RD14S2E102JB	
Q504,505	9LC A005 81R	Transistor DTC323TK	R014		Carbon film 22kohm 1/6W	RMC73M-1J682JR	
Q506	9LC F011 31R	Transistor 2SK365	R015		Carbon chip 22kohm 1/16W	RD14S1J223JB	
Q507	9L2 3256 91R	Transistor 2SC2412K	R020	9L0 1102 01S	Metal oxide 15ohm 2W	RMC73M-1J223JR	
Q508	9L2 3191 52	Transistor HIT5610C				RS08B3D150JS	
Q601	9L2 3166 91R	Transistor DTC144EK					

Ref. No.	Part No.	Part Name	Remarks	Ref. No.	Part No.	Part Name	Remarks
R101		Carbon chip 1kohm 1/16W	RMC73M-1F102JR	R317,318		Carbon chip 100ohm 1/16W	RMC73M-1F101JR
R102		Carbon film 120ohm 1/6W	RD14S1J121JB	R319,320		Carbon chip 47kohm 1/16W	RMC73M-1F473JR
R103		Carbon film 100ohm 1/4W	RDF25S 101J				Except Asia model
R104		Carbon chip 5.6kohm 1/16W	RMC73-1F562JR	R319,320		Carbon chip 220kohm 1/16W	RMC73M-1F224JR
R105		Carbon chip 2.2kohm 1/16W	RMC73M-1F222JR				Asia model only
R106		Carbon chip 1kohm 1/16W	RMC73M-1F102JR	R321		Carbon chip 100kohm 1/16W	RMC73M-1J104JR
R107		Carbon chip 220ohm 1/16W	RMC73M-1F221JR	R322		Carbon film 39kohm 1/6W	RD14S1J393JB
R108,109		Carbon chip 10kohm 1/16W	RMC73M-1F103JR				Asia model only
R110		Carbon chip 390ohm 1/16W	RMC73M-1F391JR	R323		Carbon chip 0ohm 1/16W	RMC73M-1J000JR
R111,112		Carbon chip 330ohm 1/16W	RMC73M-1F331JR				Except Asia model
R113		Carbon chip 220ohm 1/16W	RMC73M-1F221JR	R323		Carbon chip 39kohm 1/16W	RMC73M-1F393JR
R114		Carbon chip 2.7kohm 1/16W	RMC73M-1F272JR				Asia model only
R115		Carbon chip 330ohm 1/16W	RMC73M-1F331JR	R324,325		Carbon chip 0ohm 1/16W	RMC73M-1J000JR
R116		Carbon chip 1kohm 1/16W	RMC73M-1F102JR				Except Asia model
R117		Carbon chip 100ohm 1/16W	RMC73M-1F101JR	R324,325		Carbon chip 10kohm 1/16W	RMC73M-1F103JR
R151		Carbon chip 3.3kohm 1/16W	RMC73M-1F332JR				Asia model only
R152		Carbon chip 100kohm 1/16W	RMC73M-1F104JR	R326,327		Carbon chip 470kohm 1/16W	RMC73M-1F474JR
R153		Carbon chip 47kohm 1/16W	RMC73M-1F473JR	R328,329		Carbon chip 100kohm 1/16W	RMC73M-1F104JR
				R330,331		Carbon chip 100ohm 1/16W	RMC73M-1F101JR
R201		Carbon chip 6.8kohm 1/16W	RMC73M-1F682JR	R332,333		Carbon chip 51kohm 1/16W	RMC73M-1F513JR
R202,203		Carbon chip 10kohm 1/16W	RMC73M-1F103JR				Except Asia model
R204		Carbon chip 100ohm 1/16W	RMC73M-1F101JR	R332,333		Carbon chip 220kohm 1/16W	RMC73M-1F224JR
R205		Carbon chip 4.7kohm 1/16W	RMC73M-1F472JR				Asia model only
R206		Carbon chip 51ohm 1/16W	RMC73M-1F510JR	R334,335		Carbon chip 0ohm 1/16W	RMC73M-1J000JR
R207		Carbon chip 4.7kohm 1/16W	RMC73M-1F472JR	R338		Carbon chip 680kohm 1/16W	RMC73M-1F684JR
R208		Carbon chip 10kohm 1/16W	RMC73M-1F103JR	R339,340		Carbon chip 5.6kohm 1/16W	RMC73M-1F562JR
R209		Carbon chip 3kohm 1/16W	RMC73M-1F302JR				Asia model only
R210,211		Carbon chip 4.7kohm 1/16W	RMC73M-1F472JR	R341,342		Carbon chip 22kohm 1/16W	RMC73M-1F223JR
R212		Carbon chip 10kohm 1/16W	RMC73M-1F103JR				Asia model only
			Except U.S.A./ Canada model	R343,344		Carbon chip 1kohm 1/16W	RMC73M-1F102JR
R212		Carbon chip 6.8kohm 1/16W	RMC73M-1F682JR	R345,346		Carbon chip 100kohm 1/16W	RMC73M-1F104JR
			U.S.A./Canada models	R351		Carbon chip 100kohm 1/16W	RMC73M-1F104JR
R213		Carbon chip 8.2kohm 1/16W	RMC73M-1F822JR	R401,402		Carbon chip 330ohm 1/16W	RMC73M-1F331JR
R214,215		Carbon chip 3.3kohm 1/16W	RMC73M-1F332JR	R403,404		Carbon chip 470kohm 1/16W	RMC73M-1F474JR
R216~219		Carbon chip 12kohm 1/16W	RMC73M-1F123JR	R405~410		Carbon chip 1Mohm 1/16W	RMC73M-1F105JR
R220,221		Carbon chip 15kohm 1/16W	RMC73M-1F153JR	R411,412		Carbon chip 330ohm 1/16W	RMC73M-1F331JR
R222		Carbon chip 5.6kohm 1/16W	RMC73M-1F562JR	R413,414		Carbon chip 1.8kohm 1/16W	RMC73M-1F182JR
				R415,416		Carbon chip 1Mohm 1/16W	RMC73M-1F105JR
R301,302		Carbon chip 470ohm 1/16W	RMC73M-1F471JR	R417,418		Carbon chip 10kohm 1/16W	RMC73M-1F103JR
R303,304		Carbon chip 1Mohm 1/16W	RMC73M-1F105JR	R419,420		Carbon chip 33kohm 1/16W	RMC73M-1F333JR
R305,306		Carbon chip 470ohm 1/16W	RMC73M-1F471JR	R421~423		Carbon chip 2.2kohm 1/16W	RMC73M-1J222JR
R307,308		Carbon chip 1Mohm 1/16W	RMC73M-1F105JR	R425,426		Carbon chip 100kohm 1/16W	RMC73M-1J104JR
R309,310		Carbon chip 100ohm 1/16W	RMC73M-1F101JR	R427,428		Carbon chip 2.2kohm 1/16W	RMC73M-1F222JR
R311,312		Carbon chip 51kohm 1/16W	RMC73M-1F513JR	R429,430		Carbon chip 0ohm 1/16W	RMC73M-1J000JR
			Except Asia model	R431,432		Carbon chip 1kohm 1/16W	RMC73M-1F102JR
R311,312		Carbon chip 220kohm 1/16W	RMC73M-1F224JR	R434		Carbon chip 1.2kohm 1/16W	RMC73M-1F122JR
			Asia model only				
R313,314		Carbon chip 100ohm 1/16W	RMC73M-1F101JR	R501,502		Carbon chip 2.7kohm 1/16W	RMC73M-1J272JR
R315,316		Carbon chip 51kohm 1/16W	RMC73M-1F513JR	R503,504	9LA T011 71R	Carbon film 100ohm 1/4W (FR)	RD45S2E101JNB-FR
			Except Asia model	R505,506		Carbon chip 56kohm 1/16W	RMC73M-1J563JR
R315,316		Carbon chip 220kohm 1/16W	RMC73M-1F224JR	R507,508	9LA T012 17T	Carbon film 10ohm 1/4W (NB)	RD14S2E100JBT-NB
			Asia model only				

Ref. No.	Part No.	Part Name	Remarks	Ref. No.	Part No.	Part Name	Remarks
R509-511		Carbon chip 22kohm 1/16W	RMC73M-1J223JR	CAPACITORS GROUP			
R512		Carbon chip 10kohm 1/16W	RMC73M-1F103JR	C001,002		Ceramic chip 0.01 μ F/50V	CK73MF1H103ZR
R514,515	9LA T010 47R	Non-burning type 4.7ohm 1W	RE-4R7J0001NT	C003		Ceramic chip 0.047 μ F/50V	CK73MF1H473ZR
R517,518	9LA T010 96R	Non-burning type 330ohm 1W	RE-331J0001NT	C004		Electrolytic 100 μ F/50V	CE04W1H101MB(SSL)
R519	9LA T012 42T	Carbon film 82ohm 1/4W (NB)	RD14S2E820JBT-NB	C005		Electrolytic 10 μ F/50V	CE04W1H100MB(SSL)
R520		Carbon chip 10kohm 1/16W	RMC73M-1F103JR	C006		Ceramic chip 0.01 μ F/50V	CK73MF1H103ZR
R521		Carbon chip 2.2kohm 1/16W	RMC73M-1F222JR	C007		Mylar film 0.22 μ F/50V	CQ92M1H224KB
R522,523		Carbon chip 22kohm 1/16W	RMC73M-1J223JR	C008,009	9LA L010 01	Electrolytic 4700 μ F/35V	CE68W1V472(SMH)
R525,526		Carbon chip 56kohm 1/16W	RMC73M-1J563JR	C010,011		Electrolytic 10 μ F/50V	CE04W1H100MB(SSL)
R527-529		Carbon chip 1Mohm 1/16W	RMC73M-1F105JR	C012		Electrolytic 100 μ F/50V	CE04W1H101MB(SSL)
R530		Carbon chip 3.3kohm 1/16W	RMC73M-1F332JR	C013		Electrolytic 10 μ F/50V	CE04W1H100MB(SSL)
R531		Carbon chip 100kohm 1/16W	RMC73M-1J104JR	C014-016		Ceramic chip 0.01 μ F/50V	CK73MF1H103ZR
R532		Carbon chip 0ohm 1/16W	RMC73M-1F000JR	C017		Electrolytic 10 μ F/50V	CE04W1H100MB(SSL)
R533		Carbon chip 4.7kohm 1/16W	RMC73M-1F472JR	C018	9LA L010 01	Electrolytic 4700 μ F/35V	CE68W1V472(SMH)
R534	9LA T011 76R	Carbon film 10ohm 1/4W (FR)	RD45S2E100JNB-FR	C019,020		Ceramic chip 0.01 μ F/50V	CK73MF1H103ZR
R537,538		Carbon chip 1kohm 1/16W	RMC73M-1F102JR	C021		Electrolytic 10 μ F/50V	CE04W1H100MB(SSL)
R540		Carbon chip 0ohm 1/16W	RMC73M-1J000JR	C022		Electrolytic 100 μ F/10V	CE04W1A101MB(SSL)
R601		Carbon chip 470ohm 1/16W	RMC73M-1J471JR	C023		Ceramic chip 0.01 μ F/50V	CK73MF1H103ZR
R602-605		Carbon chip 10kohm 1/16W	RMC73M-1F103JR	C025,026		Ceramic 0.1 μ F/50V	CK14F1H104ZB
R606,607		Carbon chip 1kohm 1/16W	RMC73M-1J102JR	C027		Ceramic 0.047 μ F/16V	CK14Y1C473MB
R608-610		Carbon chip 10kohm 1/16W	RMC73M-1F103JR	C030,031		Ceramic chip 0.01 μ F/50V	CK73MF1H103ZR
R612		Carbon chip 47kohm 1/16W	RMC73M-1J473JR	C032		Ceramic 0.047 μ F/16V	CK14Y1C473MB
R614		Carbon chip 47kohm 1/16W	RMC73M-1J473JR				Except U.S.A./ Canada model
R615		Carbon chip 47kohm 1/16W	RMC73M-1J473JR	C101		Mylar film 0.01 μ F/50V	CQ92M1H103KB(AMZ)
R616		Carbon chip 47kohm 1/16W	RMC73M-1J473JR	C103		Ceramic chip 22pF/50V	CC73MSL1H220JR
R617		Carbon chip 47kohm 1/16W	RMC73M-1J473JR	C104		Ceramic 0.047 μ F/50V	CK14F1H473ZB(050)
R618		Carbon chip 47kohm 1/16W	RMC73M-1J473JR	C105		Ceramic chip 100pF/50V	CK73MSL1H101JR
R619		Carbon chip 47kohm 1/16W	RMC73M-1J473JR	C106		Ceramic chip 0.01 μ F/50V	CK73MF1H103ZR
R620,621		Carbon chip 10kohm 1/16W	RMC73M-1F103JR	C107		Ceramic chip 0.022 μ F/50V	CK73MF1H223ZR
R622,623		Carbon chip 22kohm 1/16W	RMC73M-1J223JR	C108		Electrolytic 47 μ F/25V	CE04W1E470MB(SSL)
R624		Carbon film 47kohm 1/6W	RD14S1J473JB	C109		Electrolytic 0.47 μ F/50V (BP)	CE04W1H1R47BP(SMEBP)
R634,635		Carbon chip 10kohm 1/16W	RMC73M-1F103JR	C111		Ceramic chip 0.01 μ F/50V	CK73MF1H103ZR
R636,637		Carbon chip 0ohm 1/16W	RMC73M-1J000JR	C112		Electrolytic 1 μ F/50V	CE04W1H1R0MB(SSL)
R638		Carbon chip 470ohm 1/16W	RMC73M-1J471JR	C113		Ceramic chip 0.01 μ F/50V	CK73MF1H103ZR
R640		Carbon chip 100kohm 1/16W	RMC73M-1F104JR	C114,115		Ceramic chip 100pF/50V	CK73MSL1H101JR
R641,642		Carbon chip 4.7kohm 1/16W	RMC73M-1F472JB	C116,117		Ceramic chip 27pF/50V	CC73MCH1H270JR
R643		Carbon chip 1kohm 1/16W	RMC73M-1F102JR	C118		Ceramic 0.01 μ F/16V	CK14Y1C103MB
R650		Carbon chip 1kohm 1/16W	RMC73M-1F102JR	C151		Ceramic chip 0.1 μ F/16V	CK73MF1H104ZR
R876,877		Carbon chip 10kohm 1/16W	RMC73M-1F103JR	C152		Ceramic chip 9.0 pF/50V	CK73MCH1H090CR
R878,879		Carbon film 10kohm 1/6W	RD14S1J103JB	C201		Electrolytic 47 μ F/25V	CE04W1E470MB(SSL)
R992		Carbon chip 220ohm 1/16W	RMC73M-1J221JR	C202-204		Ceramic chip 0.047 μ F/50V	CK73MF1H473ZR
R993		Carbon chip 100ohm 1/16W	RMC73M-1F101JR	C205		Ceramic chip 0.01 μ F/50V	CK73MF1H103ZR
RA601,602	9L1 AZ40 03	Metal mixture 100kohm 1/10W	RK92Y2A104JT15L	C206		Electrolytic 1 μ F/50V	CE04W1H1R0MB(SSL)
				C207		Ceramic chip 0.01 μ F/50V	CK73MF1H103ZR
				C208		Electrolytic 10 μ F/50V	CE04W1H100MB(SSL)
				C209		Ceramic chip 0.047 μ F/50V	CK73MF1H473ZR
				C210		Electrolytic 1 μ F/50V	CE04W1H1R0MB(SSL)
				C211,212		Electrolytic 10 μ F/50V	CE04W1H100MB(SSL)
				C213		Electrolytic 1 μ F/50V	CE04W1H1R0MB(SSL)
				C214		Electrolytic 0.47 μ F/50V	CE04W1HR47MB(SSL)

Ref. No.	Part No.	Part Name	Remarks	Ref. No.	Part No.	Part Name	Remarks
C215		Electrolytic 1 μ F/50V	CE04W1H1R0MB(SSL)	C309,310		Ceramic chip 470pF/50V	CK73MSL1H471JR Europe/U.K. models
C216		Electrolytic 33 μ F/31.5V	CE04W1F330MB(SSL)	C311		Electrolytic 1 μ F/50V	CE04W1H1R0MB Except U.S.A./ Canada model
C217,218		Ceramic chip 0.047 μ F/50V	CK73MF1H473ZR	C314~319		Ceramic chip 100pF/50V	CK73MSL1H101JR U.S.A./Canada models
C219		Electrolytic 3.3 μ F/50V	CE04W1H3R3MB(SSL)	C314~319		Ceramic chip 1000pF/50V	CK73MSL1H102JR Except U.S.A./ Canada model
C220		Electrolytic 22 μ F/50V	CE04W1H220MB(SSL)	C320,321		Electrolytic 10 μ F/50V	CE04W1H100MB(SSL)
C221		Ceramic 330pF/50V	CK14B1H331KB(050)	C322,323		Electrolytic 1 μ F/50V	CE04W1H010MB(SSL)
C221		Ceramic 820pF/50V	CK14B1H821KB(050)	C324~327		Electrolytic 10 μ F/50V	CE04W1H100MB(SSL)
C222		Ceramic chip 0.047 μ F/50V	CK73MF1H473ZR	C328		Ceramic chip 0.022 μ F/50V	CK73MF223ZR
C223		Electrolytic 10 μ F/50V	CE04W1H100MB(SSL)	C331		Electrolytic 10 μ F/50V	CE04W1H100MB(SSL)
C224,225		Mylar film 0.033 μ F/50V	CQ92M1H333KB(AMZ)	C332,333		Ceramic 0.047 μ F/16V	CK14Y1C473MB Except U.S.A./ Canada model
C224,225		Mylar film 0.047 μ F/50V	CQ92M1H473KB(AMZ)	C403,404		Electrolytic 47 μ F/25V	CE04W1E470MB(SSL)
C226,227		Ceramic chip 2700pF/50V	CK73MB1H272BR	C405,406		Electrolytic 0.15 μ F/50V	CE04W1HR15MB
C228,229		Electrolytic 2.2 μ F/50V	CE04W1H2R2MB(SSL)	C407,408		Electrolytic 0.22 μ F/50V	CE04W1HR22MB
C230		Electrolytic 10 μ F/50V	CE04W1H100MB(SSL)	C409		Electrolytic 1 μ F/50V	CE04W1H010MB(SSL)
C232		Ceramic chip 0.01 μ F/50V	CK73MF1H103ZR	C410		Electrolytic 1 μ F/50V	CE04W1H010MB(SRA)
C235		Ceramic 0.047 μ F/50V	CK14SL1H473ZB	C411,412		Electrolytic 10 μ F/50V	CE04W1H100MB(SSL)
C236		Mylar film 0.01 μ F/16V	CQ14Y1C103MB	C413		Electrolytic 1 μ F/50V	CE04W1H010MB(SSL)
C251,252		Ceramic chip 22pF/50V	CC73MCH1H220JR	C414		Electrolytic 1 μ F/50V	CE04W1H010(SRA)
C253		Ceramic chip 0.01 μ F/50V	CK73MF1H103ZR	C415,416		Electrolytic 10 μ F/50V	CE04W1H100MB(SSL)
C254		Electrolytic 47 μ F/25V	CE04W1E470MB(SSL)	C419,420		Mylar film 0.022 μ F/50V	CQ92M1H223KB(AMZ)
C255		Ceramic chip 560pF/50V	CK73MSL1H561JR	C421,422		Mylar film 4700pF/50V	CQ92M1H472KB(AMZ)
C256		Electrolytic 47 μ F/25V	CE04W1E470MB(SSL)	C423,424		Mylar film 0.1 μ F/50V	CQ92M1H104KB(AMZ)
C257		Ceramic chip 0.01 μ F/50V	CK73MF1H103ZR	C425		Electrolytic 10 μ F/50V	CE04W1H100MB(SSL)
C258		Electrolytic 10 μ F/50V	CE04W1H100MB(SSL)	C426		Ceramic 0.01 μ F/16V	CG14Y1C103MB Except U.S.A./ Canada model
C259		Ceramic chip 330pF/50V	CC73MSL1H331JR	C428,429		Electrolytic 10 μ F/50V	CE04W1H100MB(SSL)
C301,302		Ceramic 0.01 μ F/16V	CG14Y1C103MB	C432		Ceramic chip 0.01 μ F/25V	CK73MF1H103ZR
C303		Ceramic chip 0.01 μ F/50V	CK73MF1H103ZR	C440		Electrolytic 1 μ F/50V	CE04W1H010MB(SSL)
C304,305		Ceramic chip 220pF/50V	CK73MSL1H221JR	C441		Electrolytic 10 μ F/50V	CE04W1H100MB(SSL)
C304,305		Ceramic chip 470pF/50V	CK73MSL1H471JR	C442		Electrolytic 10 μ F/50V	CE04W1H100MB(SSL)
C306		Electrolytic 1 μ F/50V	CE04W1H010MB	C501,502		Electrolytic 22 μ F/50V	CE04W1H220MB(SSL)
C309,310		Ceramic chip 220pF/50V	CK73MSL1H221JR	C503,504		Electrolytic 100 μ F/50V	CE04W1H010MB(SSL)
			U.S.A./Canada/ Asia models	C505,506		Ceramic chip 3.0pF/50V	CK73MSL1H030JR
			Europe/U.K. models	C507,508		Electrolytic 10 μ F/50V	CE04W1H100MB(SSL)
			Asia models	C509		Electrolytic 330 μ F/6.3V	CE04W0J331MB
			U.S.A./Canada/ Asia models	C510,511		Mylar film 0.1 μ F/50V	CQ92M1H104KB(AMZ)
			U.S.A./Canada/ Asia models	C512,513		Ceramic chip 220pF/50V	CK73MSL1H221JR U.S.A./Canada/ Asia models
			U.S.A./Canada/ Asia models	C512,513		Ceramic chip 1000pF/50V	CK73MSL1H102JR Europe/U.K. models
			U.S.A./Canada/ Asia models	C514		Ceramic chip 0.1 μ F/25V	CK73MF1E104ZR

Ref. No.	Part No.	Part Name	Remarks	Ref. No.	Part No.	Part Name	Remarks	Q'ty
C515,516		Mylar film 0.01 μ F/50V	CQ92M1H103KB(AMZ)	E001,002	9L2 7292 52R	Fuse holder		1
C517~519		Ceramic chip 0.01 μ F/50V	CK73M1H103ZR	E003	—	Lug terminal		1
C521,522		Electrolytic 4.7 μ F/50V	CE04W1H4R7MB(SSL)	E102	—	Lug terminal	U.S.A./Canada models	1
C523		Electrolytic 10 μ F/50V	CE04W1H100MB(SSL)	E201	—	Lug terminal	U.S.A./Canada models	1
C524		Electrolytic 47 μ F/25V	CE04W1E470MB(SSL)	E501	—	Lug terminal	Except U.S.A./	1
C525		Ceramic 0.1 μ F/50V	CK14F1H104ZB				Canada model	
C526		Ceramic 0.01 μ F/16V	CG14Y1C103MB	E810	—	Lug terminal	Except U.S.A./	1
			Except U.S.A./				Canada model	
C528		Ceramic 0.01 μ F/16V	CG14Y1C103MB	X601	9L2 1684 81	Crystal CST4.19MGW		1
			Except U.S.A./					
			Canada model					
C531		Ceramic chip 470pF/50V	CK73MSL1H471R	Δ PR001,002	9LF N001 82M	Protector 250mA		2
C533,534		Ceramic chip 2200pF/50V	CK73MB1H222KR	Δ PR003	9LF N001 83M	Protector 315mA		1
				Δ PR004	9LF N001 87M	Protector 750mA		1
C601		Electrolytic 22 μ F/50V	CE04W1H220MB(SSL)	SW601	9L2 6225 21	Switch (SL2-2)	Asia model only	1
C602		Ceramic chip 0.01 μ F/50V	CK73MF1H103ZR					
C603		Ceramic chip 0.1 μ F/50V	CK73MF1E104ZR	RY501	9LF J001 21	Relay		1
C605		Ceramic chip 1000pF/50V	CK73MB1H102KR					
C621		Ceramic chip 47pF/50V	CC73MSL1H470JR	CF101	9L2 1349 92	Ceramic filter SFE10.7MA8	U.S.A./Canada	1
			U.S.A./Canada models				/Asia models	
C641		Ceramic chip 0.1 μ F/50V	CK73MF1E104ZR	CF101	9LB N001 01	Ceramic filter SFT10.7MS2	Europe/U.K. models	1
C650		Ceramic chip 0.01 μ F/50V	CK73MF1H103ZR	CF102	9LB N001 11	Ceramic filter SFE10.7MS2G	U.S.A./Canada	1
							/Asia models	
C801		Ceramic chip 4700pF/50V	CK73MF1H472ZR	CF102	9LB N001 01	Ceramic filter SFT10.7MS2	Europe/U.K. models	1
			Except U.S.A./					
			Canada model					
C802		Ceramic 0.01 μ F/16V	CG14Y1C103MB	BL001	9LB H005 32	AM RF block		1
			Asia model only					
C893,894		Mylar film 0.022 μ F/50V	CQ92M1H223KB(AMZ)	T201	9LB J002 52	AM IFT (LA1873)		1
			Asia model only	T202	9LB J004 22	FM DISCRI coil		1
C895		Electrolytic 100 μ F/25V	CE04W1E101MB(SSL)	T203,204	9LB J004 11	LPF (19KHz)	Europe/U.K. models	2
C896~898		Ceramic chip 0.01 μ F/50V	CK73MF1H103ZR	X101	9L2 1701 32R	Crystal 7.2MHz		1
				X251	9L2 1701 33R	Crystal 4.332MHz	Except Asia model	1
OTHER PARTS GROUP								
				PG001	9L2 6742 84	2P-4S VH plug		1
				PG002	9L2 6688 12W	3P VH pin post		1
FE101	9LH H000 42	Tuner pack FE450-G01	Europe/U.K. models	PG003	9L2 9590 53	4P PH pin post		1
FE101	9LH H000 41	Tuner pack FE350-A01	U.S.A./Canada/ Asia models	PG004	9L2 6742 84	2P-4S VH plug		1
				PG005	9L2 9022 62	3P EH pin post		1
JK101	9LE U000 11	Antenna terminal KYD31		PG101	9L2 9590 63	13P PH pin post		1
JK301	9LE R002 24	4P US pin jack		PG304	9L2 9590 52	3P PH pin post		1
JK302	9LE R002 23	6P US pin jack		PG305	9L2 9590 53	4P PH pin post		1
JK501	9L2 6950 33	Headphone jack		PG306	9L2 9590 53	4P PH pin post	Asia model only	1
JK502	9LE R002 41	1P US pin jack		PG501	9L2 9590 58	9P PH pin post		1
JK503	9LE U000 86	4P SP terminal		PG503	9L2 9590 54	5P PH pin post		1
JK802,803	9L2 6714 13	Mini jack (3.5)		PG504	9L2 9590 57	8P PH pin post		1
				PG505	9L2 9590 52	3P PH pin post		1
L001	9L2 1222 53M	LA axial coil 101K		PG507	9L2 9590 52	3P PH pin post		1
L501,502	9L2 2273 61	Audio trap coil		PG601B	9LE D022 61	30P FFC connector (L)		1
L845	9LB M002 61R	Chip bead	Asia model only	PG602	9L2 9590 56	7P PH pin post		1
L895	9L2 1222 39M	LA axial coil 100K		PG601C	9LE D017 52	30P FFC connector base		1
				PG601D	9LE D017 52	30P FFC connector base		1

CD P.W.B. UNIT ASS'Y

Ref. No.	Part No.	Part Name	Remarks	Q'ty	Ref. No.	Part No.	Part Name	Remarks
PG703	9L2 9590 62	12P PH pin post		1	SEMICONDUCTORS GROUP			
PG704	9L2 9590 64	14P PH pin post		1	IC701	9L2 3883 01R	IC BA4558F	Asia model only
PG811	9L2 9590 52	3P PH pin post	Asia model only	1	IC801	9LC K077 21R	IC AN8808SB	
CN101	9LE F070 01	13P KR-DA connector cord	L=80	1	IC802	9LC K077 31	IC MN662720RB	
CN305	9LE F068 25	4P KR-DA connector cord	L=160	1	IC803	9LC K080 31R	IC AN8389S	
CN501	9LE F081 32	9P PH-SAN connector cord	L=300	1	IC881	9LC W002 11	IC RD-DVK023-K	Asia model only
CN503	9L2 9091 45L	5P PH connector cord	L=360	1	IC901	9LC K309 71	IC MN1874823PC	
CN504	9L2 9092 28L	8P PH connector cord	L=200	1	IC951	9LC K045 22R	IC PCM1717E	
CN505	9L2 9090 78L	3P PH connector cord	L=200	1	IC952	9LC K014 51R	IC BA15218F	
CN508	9LE F077 02	4P SAN-SAN connector cord	L=100	1	IR701	9LC J002 52U	IR SENSOR(PRM-6938-V4)	
CN807	9LE F068 67	6P KR-DA connector cord	L=200	1	FL701	9LD D000 63	FL TUBE(SVA-12MM16)	
CN810	9LE F078 144	8P FJ connector		1	Q701	9LC A005 81R	Transistor DTC323TK	Asia model only
ST001~004	—	Style pin		4	Q730~735	9L2 3163 61R	Transistor DTC114EK	
W003	—	UL wire	UL1007 #24S	1	Q801	9L2 3182 93T	Transistor 2SA933(S)	
W005	—	UL wire	UL1007 #27S Except U.S.A. /Canada model	1	Q840	9LC A007 91R	Transistor DTC124K	
W101	—	UL wire	UL1007 #24S	1	Q841	9L2 3256 91R	Transistor 2SC2412K	
W102	—	UL wire(BLK)	UL1007 #24S U.S.A./Canada models	1	Q842	274 0078 031	Transistor 2SD882 Q/P	
W201	—	UL wire	UL1007 #24S U.S.A./Canada models	1	Q881	9L2 3190 62	Transistor HIT5609C	Asia model only
W301	—	UL wire	UL1007 #24S	1	Q890	9LC A007 91R	Transistor DTC124K	
W601	9LE K002 88	1P board in connector cord	L=80	1	Q891	9L2 3191 52	Transistor HIT5610C	
W501	—	UL wire(BLK)	UL1007 #24S Except U.S.A. /Canada model	1	Q892	9L2 3280 83T	Transistor 2SA844E	
W602	—	UL wire(RED)	UL1007 #24S	1	Q951,952	9L2 3154 22R	Transistor 2SD1468S	
W603	—	UL wire(RED)	UL1007 #24S	1	Q975	9L2 3256 91R	Transistor 2SC2412K	
W802	—	UL wire	UL1007 #24S Except U.S.A. /Canada model	1	Q980	271 0238 908	Transistor 2SA1037AK (Q/R)	
#001	9L4 7874 06	Heat sink		3	Q981,982	9L2 3256 91R	Transistor 2SC2412K	
#002	9L8 6914 08	Screw 3X8 BT BIND		3	D701~703	9LC H011 31R	LED SPR-505MVW	
#100	9LM D040 51	Shield plate (TU)	U.S.A./Canada /Asia models	1	D704	9LC C000 03R	Diode 1SS355	Asia model only
#121	9LQ N031 42	Protector label		1	D840	9L2 3989 21T	Diode 1N4531T/1SS133	
	9LJ T082 91	Main P.W.B. Ass'y	U.S.A./Canada models	1	D890	9L2 3989 21T	Diode 1N4531T/1SS133	
	9LJ T082 92	Main P.W.B. Ass'y	Europe model only	1	D951	9L2 3989 21T	Diode 1N4531T/1SS133	
	9LJ T082 93	Main P.W.B. Ass'y	U.K. model only	1	D975	9L2 3989 21T	Diode 1N4531T/1SS133	
	9LJ T082 96	Main P.W.B. Ass'y	Asia model only	1	D980	9L2 3989 21T	Diode 1N4531T/1SS133	
					ZD840	9L2 3481 52M	Zener diode MTZJ-8.2B	
					ZD881	9L2 3480 72M	Zener diode MTZJ-3.9B	Asia model only

Ref. No.	Part No.	Part Name	Remarks	Ref. No.	Part No.	Part Name	Remarks
RESISTORS GROUP				R812		Carbon chip 22kohm 1/16W	RMC73M-1J223JR
R021		Carbon chip 22kohm 1/16W	RMC73M-1J223JR	R814		Carbon chip 39kohm 1/16W	RMC73M-1J393JR
R702		Carbon chip 1.5kohm 1/16W	RMC73M-1J152JR	R815		Carbon chip 220kohm 1/16W	RMC73M-1J224JR
R703		Carbon chip 2.2kohm 1/16W	RCM73M-1F222JR	R816		Carbon chip 1.8kohm 1/16W	RMC73M-1J182JR
R704		Carbon chip 3.9kohm 1/16W	RCM73M-1F392JR	R817		Carbon chip 1.5kohm 1/16W	RMC73M-1J152JR
R705		Carbon chip 5.6kohm 1/16W	RCM73M-1F562JR	R818		Carbon chip 1kohm 1/16W	RMC73M-1F102JR
R706		Carbon chip 8.2kohm 1/16W	RCM73M-1F822JR	R821		Carbon chip 10kohm 1/16W	RMC73M-1F103JR
R707		Carbon chip 15kohm 1/16W	RCM73M-1F153JR	R822		Carbon chip 100ohm 1/16W	RMC73M-1F101JR
R708		Carbon chip 33kohm 1/16W	RCM73M-1F333JR	R826		Carbon chip 47ohm 1/16W	RMC73M-1J470JR
R709		Carbon chip 82kohm 1/16W	RCM73M-1F823JR	R827		Carbon film 18ohm 1/4W	RD14S2E180JT
R711		Carbon chip 150ohm 1/16W	RCM73M-1F151JR	R840		Carbon chip 10kohm 1/16W	RMC73M-1F103JR
R712		Carbon chip 180ohm 1/16W	RCM73M-1F181JR	R841		Carbon film 330ohm 1/4W	RD14S2E331JR
R713		Carbon chip 270ohm 1/16W	RCM73M-1F271JR				Except Asia model
R715		Carbon chip 150ohm 1/16W	RCM73M-1F151JR	R851		Carbon chip 470ohm 1/16W	RMC73M-1F471JR
R716		Carbon chip 180ohm 1/16W	RCM73M-1F181JR	R852		Carbon chip 47kohm 1/16W	RMC73M-1F473JR
R717		Carbon chip 270ohm 1/16W	RCM73M-1F271JR	R853		Carbon chip 120kohm 1/16W	RMC73M-1F124JR
R718		Carbon chip 390ohm 1/16W	RCM73M-1F391JR	R854		Carbon chip 1Mohm 1/16W	RMC73M-1F105JR
R719,720		Carbon chip 680ohm 1/16W	RCM73M-1F681JR	R855		Carbon chip 100kohm 1/16W	RMC73M-1J104JR
R721		Carbon chip 1.2kohm 1/16W	RCM73M-1F122JR	R857		Carbon chip 150ohm 1/16W	RMC73M-1F151JR
R722		Carbon chip 390ohm 1/16W	RCM73M-1F391JR	R858		Carbon chip 680ohm 1/16W	RMC73M-1F681JR
R723		Carbon chip 1.5kohm 1/16W	RMC73M-1J152JR	R861,862		Carbon chip 47kohm 1/16W	RMC73M-1F473JR
R724		Carbon chip 2.2kohm 1/16W	RCM73M-1F222JR	R863		Carbon chip 1.8kohm 1/16W	RMC73M-1J182JR
R725		Carbon chip 2.7kohm 1/16W	RCM73M-1F272JR	R864		Carbon chip 2.7kohm 1/16W	RMC73M-1J272JR
R730		Carbon chip 330ohm 1/16W	RMC73M-1J331JR	R865		Carbon chip 220kohm 1/16W	RMC73M-1J224JR
R731		Carbon chip 220ohm 1/16W	RMC73M-1J221JR	R866		Carbon chip 1.8kohm 1/16W	RMC73M-1J182JR
R732		Carbon chip 330ohm 1/16W	RMC73M-1J331JR	R867		Carbon chip 68kohm 1/16W	RMC73M-1J683JR
R733		Carbon chip 220ohm 1/16W	RMC73M-1J221JR	R868		Carbon chip 1kohm 1/16W	RMC73M-1F102JR
R734		Carbon chip 330ohm 1/16W	RMC73M-1J331JR	R869		Carbon chip 33kohm 1/16W	RMC73M-1J333JR
R735		Carbon chip 220ohm 1/16W	RMC73M-1J221JR	R870		Carbon chip 330kohm 1/16W	RMC73M-1J334JR
R736		Carbon chip 47ohm 1/16W	RMC73M-1J470JR	R871		Carbon chip 22kohm 1/16W	RMC73M-1J223JR
R740		Carbon chip 4.7kohm 1/16W	RMC73M-1J472JR	R872		Carbon chip 1kohm 1/16W	RMC73M-1F102JR
			Asia model only	R873		Carbon chip 150kohm 1/16W	RMC73M-1F154JR
R741,742		Carbon chip 100kohm 1/16W	RMC73M-1J104JR	R874		Carbon chip 12kohm 1/16W	RMC73M-1F123JR
			Asia model only	R875		Carbon chip 100ohm 1/16W	RMC73M-1F101JR
R743		Carbon chip 390ohm 1/16W	RMC73M-1F391JR	R880,881		Carbon chip 0ohm 1/16W	RMC73M-1J000JR
			Asia model only				Except Asia model
R744		Carbon chip 100kohm 1/16W	RMC73M-1J104JR	R880,881		Carbon chip 180ohm 1/16W	RCM73M-1F181JR
			Asia model only				Asia model only
R745		Carbon chip 100ohm 1/16W	RMC73M-1J101JR	R882		Carbon chip 100ohm 1/16W	RMC73M-1F101JR
			Asia model only				Asia model only
R748		Carbon chip 33kohm 1/16W	RMC73M-1F333JR	R883		Carbon chip 0ohm 1/16W	RMC73M-1J000JR
			Asia model only				Asia model only
R749		Carbon chip 10kohm 1/16W	RMC73M-1F103JR	R884		Carbon chip 330ohm 1/16W	RMC73M-1F331JR
			Asia model only				Asia model only
R801,802		Carbon chip 22kohm 1/16W	RMC73M-1J223JR	R885		Carbon chip 0ohm 1/16W	RMC73M-1J000JR
R803,804		Carbon chip 68kohm 1/16W	RMC73M-1J683JR				Asia model only
R805,806		Carbon chip 22kohm 1/16W	RMC73M-1J223JR	R885		Carbon chip 330ohm 1/16W	RMC73M-1F331JR
R807		Carbon chip 390kohm 1/16W	RMC73M-1J394JR				Except Asia model
R808		Carbon chip 330kohm 1/16W	RMC73M-1J334JR	R886		Carbon chip 330ohm 1/16W	RMC73M-1F331JR
R810		Carbon chip 18kohm 1/16W	RMC73M-1J183JR	R887		Carbon chip 330ohm 1/16W	RMC73M-1F331JR
							Except Asia model

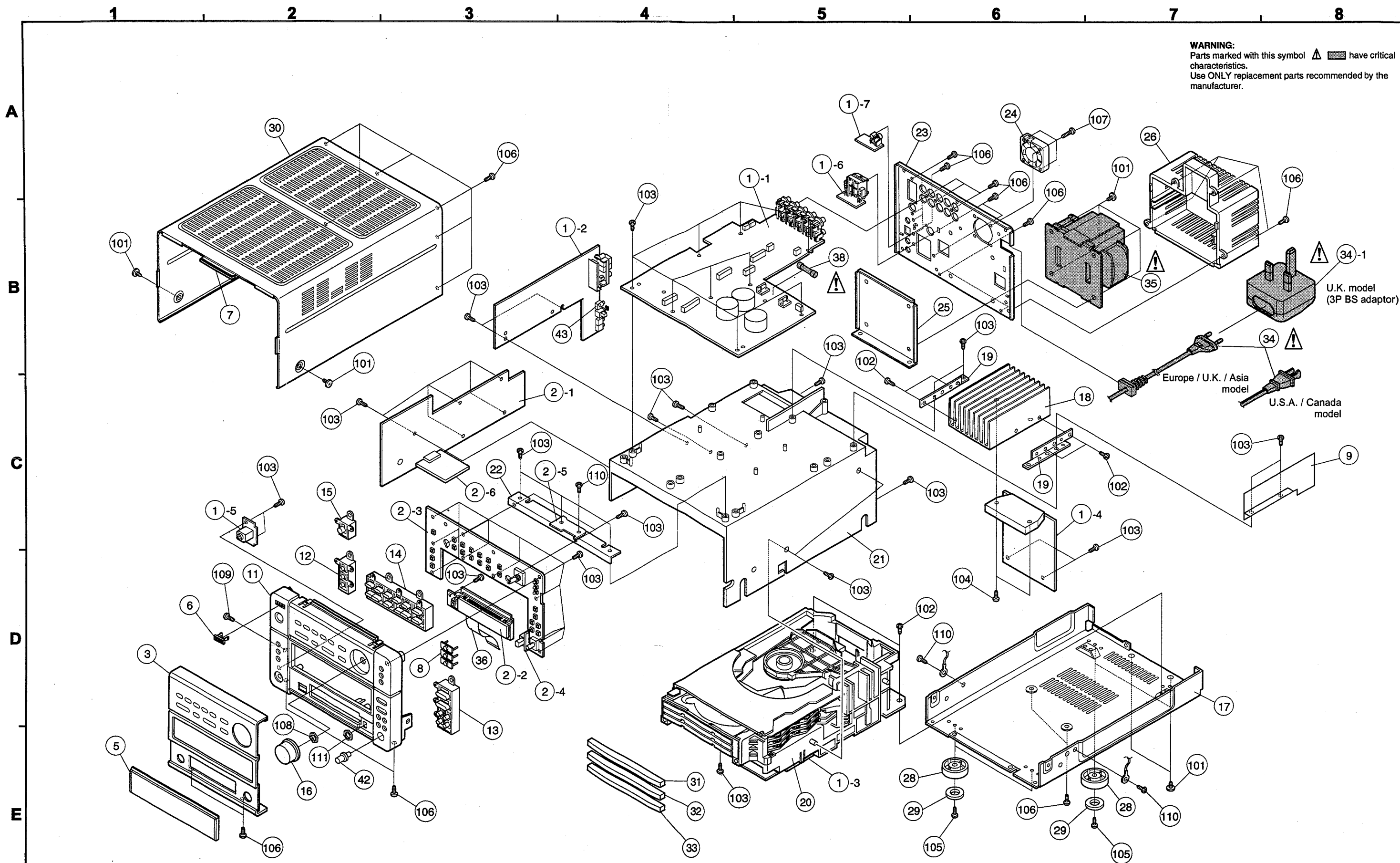
Ref. No.	Part No.	Part Name	Remarks	Ref. No.	Part No.	Part Name	Remarks
R888-890		Carbon chip 0ohm 1/16W	RMC73M-1J000JR Except Asia model	C742		Ceramic chip 330pF/50V	CK73MSL1H331JR Asia model only
R891		Carbon chip 22kohm 1/16W	RMC73M-1J223JR	C743		Electrolytic 2.2μF/50V	CE04W1HR2R2MB Asia model only
R892		Carbon chip 2.2kohm 1/16W	RCM73M-1F222JR	C744		Ceramic chip 180pF/50V	CK73MSL1H181JR Asia model only
R901		Carbon chip 10kohm 1/16W	RMC73M-1F103JR	C745		Ceramic chip 4700pF/50V	CK73MSL1H472JR Asia model only
R902		Carbon chip 10kohm 1/16W	RMC73M-1F103JR Except Asia model	C804		Electrolytic 2.2μF/50V	CE04W1H2R2MB(SSL)
R903-905		Carbon chip 10kohm 1/16W	RMC73M-1F103JR	C805		Ceramic chip 390pF/50V	CC73MSL1H391JR
R906,907		Carbon chip 15kohm 1/16W	RMC73M-1F153JR	C806,807		Mylar film 0.1μF/50V	CQ92M1H104KB(AMZ)
R908-911		Carbon chip 10kohm 1/16W	RMC73M-1F103JR	C808		Electrolytic 4.7μF/50V	CE04W1H4R7MB(SSL)
R912-926		Carbon chip 1kohm 1/16W	RMC73M-1F102JR	C809		Ceramic chip 1200pF/50V	CK73MF1H122ZR
R927-936		Carbon chip 10kohm 1/16W	RMC73M-1F103JR	C811		Ceramic chip 0.033μF/50V	CK73MF1H333KR
R937-944		Carbon chip 1kohm 1/16W	RMC73M-1F102JR	C812		Ceramic chip 4700pF/50V	CK73MF1H472ZR
R945-952		Carbon chip 22kohm 1/16W	RMC73M-1J223JR	C814		Mylar film 0.1μF/50V	CQ92M1H104KB(AMZ)
R955		Carbon chip 560ohm 1/16W	RMC73M-1J561JR	C815		Ceramic chip 0.047μF/50V	CK73MF1H473ZR
R956		Carbon chip 10kohm 1/16W	RMC73M-1F103JR	C816		Ceramic chip 10pF/50V	CC73MCH1H100JR
R957		Carbon film 22ohm 1/2W	RD14S2H220JB	C817		Ceramic chip 120pF/50V	CC73MSL1H121JR
R961,962		Carbon chip 680ohm 1/16W	RMC73M-1F681JR	C818		Electrolytic 1μF/50V	CE04W1H010MB(SSL)
R963,964		Carbon chip 33kohm 1/16W	RMC73M-1F333JR	C819		Ceramic chip 100pF/50V	CK73MSL1H101JR
R965,966		Carbon chip 6.8kohm 1/16W	RMC73M-1F682JR	C820		Ceramic chip 0.027μF/50V	CK73MF1H273ZR
R967,968		Carbon chip 680ohm 1/16W	RMC73M-1F681JR	C821,822		Ceramic chip 1000pF/50V	CK73MF1H102ZR
R969,970		Carbon chip 68kohm 1/16W	RMC73M-1F683JR	C823		Ceramic chip 0.1μF/25V	CK73MF1E104ZR
R971,972		Carbon chip 1kohm 1/16W	RMC73M-1F102JR	C824		Electrolytic 220μF/10V	CE04W1A221MB
R973,974		Carbon chip 68kohm 1/16W	RMC73M-1F683JR	C825		Electrolytic 1μF/50V	CE04W1H010MB(SSL)
R975,976		Carbon chip 10kohm 1/16W	RMC73M-1F103JR	C826		Ceramic chip 390pF/50V	CC73MSL1H391JR
R980,981		Carbon chip 10kohm 1/16W	RMC73M-1F103JR	C827,828		Ceramic chip 0.022μF/50V	CK73MF1H223ZR
R982,983		Carbon chip 22kohm 1/16W	RMC73M-1J223JR	C830		Mylar film 0.1μF/50V	CQ92M1H104KB(AMZ)
R984		Carbon chip 10kohm 1/16W	RMC73M-1F103JR	C832		Electrolytic 0.33μF/50V	CE04W1HR33MB(SME)
R985		Carbon chip 22kohm 1/16W	RMC73M-1J223JR	C833		Ceramic chip 0.1μF/25V	CK73MF1E104ZR
R986		Carbon chip 47kohm 1/16W	RMC73M-1F473JR	C834		Electrolytic 100μF/16V	CE04W1C101MB(SSL)
R987		Carbon chip 2.2kohm 1/16W	RCM73M-1F222JR	C835		Electrolytic 100μF/6.3V	CE04W0J101MB(SRA)
R989		Carbon chip 1kohm 1/16W	RMC73M-1F102JR	C836		Ceramic chip 0.1μF/25V	CK73MF1E104ZR
R990,991		Carbon chip 22kohm 1/16W	RMC73M-1J223JR	C837		Ceramic chip 100pF/50V	CK73MSL1H101JR
R994-998		Carbon chip 10kohm 1/16W	RMC73M-1F103JR Except Asia model	C838		Mylar film 0.033μF/50V	CQ92M1H333KB(AMZ)
VR701	9LA Y005 91	Mic volume	10kohm Asia model only	C839		Mylar film 0.22μF/50V	CQ92M1H224KB(AMZ)
				C840		Ceramic chip 2200pF/25V	CK73MF1E222ZR
				C841		Electrolytic 1μF/50V	CE04W1H010MB(SSL)
				C842		Electrolytic 10μF/50V	CE04W1H100MB(SSL)
				C844		Ceramic 0.01μF/16V	CG14Y1C103MB
				C845		Ceramic chip 1000pF/50V	CK73MSL1H102JR
				C851		Electrolytic 330μF/6.3V	CE04W0J331(SRA)
				C852-855		Ceramic chip 0.1μF/25V	CK73MF1E104ZR
				C861		Ceramic chip 0.01μF/50V	CK73MF1H103ZR
				C862,863		Electrolytic 100μF/10V	CE04W1A101MT
				C864		Ceramic chip 0.01μF/50V	CK73MF1H103ZR
				C880		Ceramic chip 0.1μF/25V	CK73MF1E104ZR
				C881		Electrolytic 220μF/6.3V	CE04W0J221MB(SRA) Asia model only

CAPACITORS GROUP

C703,704		Ceramic chip 1000pF/50V	CK73MF1H102ZR
C706		Electrolytic 47μF/10V	CE04W1A470MB(SRA)
C707		Ceramic chip 0.01μF/50V	CK73MF1H103ZR
C708		Ceramic chip 0.01μF/50V	CK73MF1H103ZR Asia model only
C709		Ceramic chip 0.1μF/25V	CK73MF1E104ZR Asia model only
C740		Ceramic chip 0.1μF/25V	CK73MF1E104ZR Asia model only
C741		Electrolytic 47μF/31.5V	CE04W1F470MB Asia model only

Ref. No.	Part No.	Part Name	Remarks	Ref. No.	Part No.	Part Name	Remarks	Q'ty
C882		Ceramic chip 0.1μF/25V	CK73MF1E104ZR Asia model only	CN703	9LE F069 86	12P KR-DA connector cord	L=180	1
C883		Electrolytic 220μF/6.3V	CE04W0J221MB(SRA) Asia model only	CN704	9LE F070 24	14P KR-DA connector cord	L=140	1
C884		Ceramic chip 0.1μF/25V	CK73MF1E104ZR Asia model only	CN801	9LE F096 51	10P KR-DA connector cord	L=270	1
C885		Electrolytic 220μF/6.3V	CE04W0J221MB(SRA) Asia model only	CN811	9LE F068 12	3P KR-DA connector cord	L=300	1
C886		Electrolytic 47μF/6.3V	CE04W0J470MB(SRA) Asia model only	CN812	9L2 9094 68	2P SAN-SAN connector cord	L=200	1
C890		Electrolytic 10μF/16V	CE04W1C100MB(SRA)	PG601A	9LE D020 81	30P FFC connector base (L)		1
C891		Electrolytic 10μF/16V	CE04W1C100MB(SRA)	PG801	9L2 6752 89	10P PH pin post(L)		1
C901		Ceramic chip 0.01μF/50V	CK73MF1H103ZR	PG802	9L2 9590 56	7P PH pin post		1
C902		Electrolytic 100μF/6.3V	CE04W0J101MT(SRA)	PG803	9L2 9590 57	8P PH pin post		1
C903,904		Ceramic chip 1000pF/50V	CK73MF1H102ZR	PG804	9LE D017 21	30P BTEM(S) pin post	Asia model only	1
C951		Electrolytic 10μF/50V	CE04W1H100MB(SSL)	PG805	9L2 6742 64	5P MX pin post		1
C952		Ceramic chip 0.01μF/50V	CK73MF1H103ZR	PG806	9L2 6742 65	6P MX pin post		1
C953		Electrolytic 220μF/10V	CE04W1A221MB	PG807	9L2 9590 55	6P PH pin post		1
C954,955		Ceramic chip 22pF/50V	CC73MSL1H220JR	PG808	9L2 6742 65	6P MX pin post		1
C956		Ceramic chip 1000pF/50V	CK73MF1H102ZR	PG810	9L2 6746 44	8P FJ plug		1
C959,960		Electrolytic 10μF/50V	CE04W1H100MB(SSL)	W702	—	UL wire(BRN)	UL1007 #24S	1
C961,962		Ceramic chip 4700pF/50V	CK73MF1H472ZR	W704A	9L2 6745 91	Wire holder		1
C963,964		Electrolytic 1μF/50V	CE04W1H010MB(SSL)	W704B	9L2 6745 91	Wire holder		1
C965,966		Electrolytic 4.7μF/50V	CE04W1H4R7MB(SSL)	W704	9LE D017 67	3P ribbon wire	L=50	1
C967,968		Mylar film 4700pF/50V	CQ92M1H472KB(AMZ)	W705	—	UL wire(BLK)	UL 1007 #24S	1
C971,972		Electrolytic 100μF/16V	CE04W1C101MB(SSL)	W741	9L2 7122 89	2P shield wire	Asia model only	1
C973,974		Ceramic 0.01μF/16V	CG14Y1C103MB Except U.S.A./ Canada model	W742	9LE D017 68	2P ribbon wire	Asia model only	1
C980-982		Ceramic chip 1000pF/50V	CK73MF1H102ZR	W743	—	UL wire(BRN)	UL 1007 #24S	1
				W801	—	UL wire	UL 1007 #24S	1
				W887	—	UL wire(BLK)	UL 1007 #24S	1
OTHER PARTS GROUP								
X951	399 0036 013	Crystal 16.9MHz						1
XL901	9LB P001 41	Ceramic resonator	CST8.00MTW					1
L880	9L2 2279 14M	Axial coil 3.3	Asia model only					1
S701-722	9LF E003 01R	Tact switch						22
RE701	9LF H001 11	Rotary encoder	EC16B24104					1
JK701	9LE R005 02	Mic jack	Asia model only					1
#001	9LN J027 71	FL holder						1
#003	9LE D022 22	LED holder						3
#881	9LM D032 02	Shield plate (C)	Asia model only					1
CN304	9LE F068 06	3P KR-DA connector cord	L=180					1
CN306	9LE F081 31	4P PH connector cord	L=320					1
CN602	9LE F068 82	7P KR-DA connector cord	L=100					1
				9LJ T083 01	CD P.W.B. Ass'y	U.S.A./Canada models		1
				9LJ T083 02	CD P.W.B. Ass'y	Europe model only		1
				9LJ T083 03	CD P.W.B. Ass'y	U.K. model only		1
				9LJ T083 06	CD P.W.B. Ass'y	Asia model only		1

EXPLODED VIEW



PARTS LIST OF EXPLODED VIEW

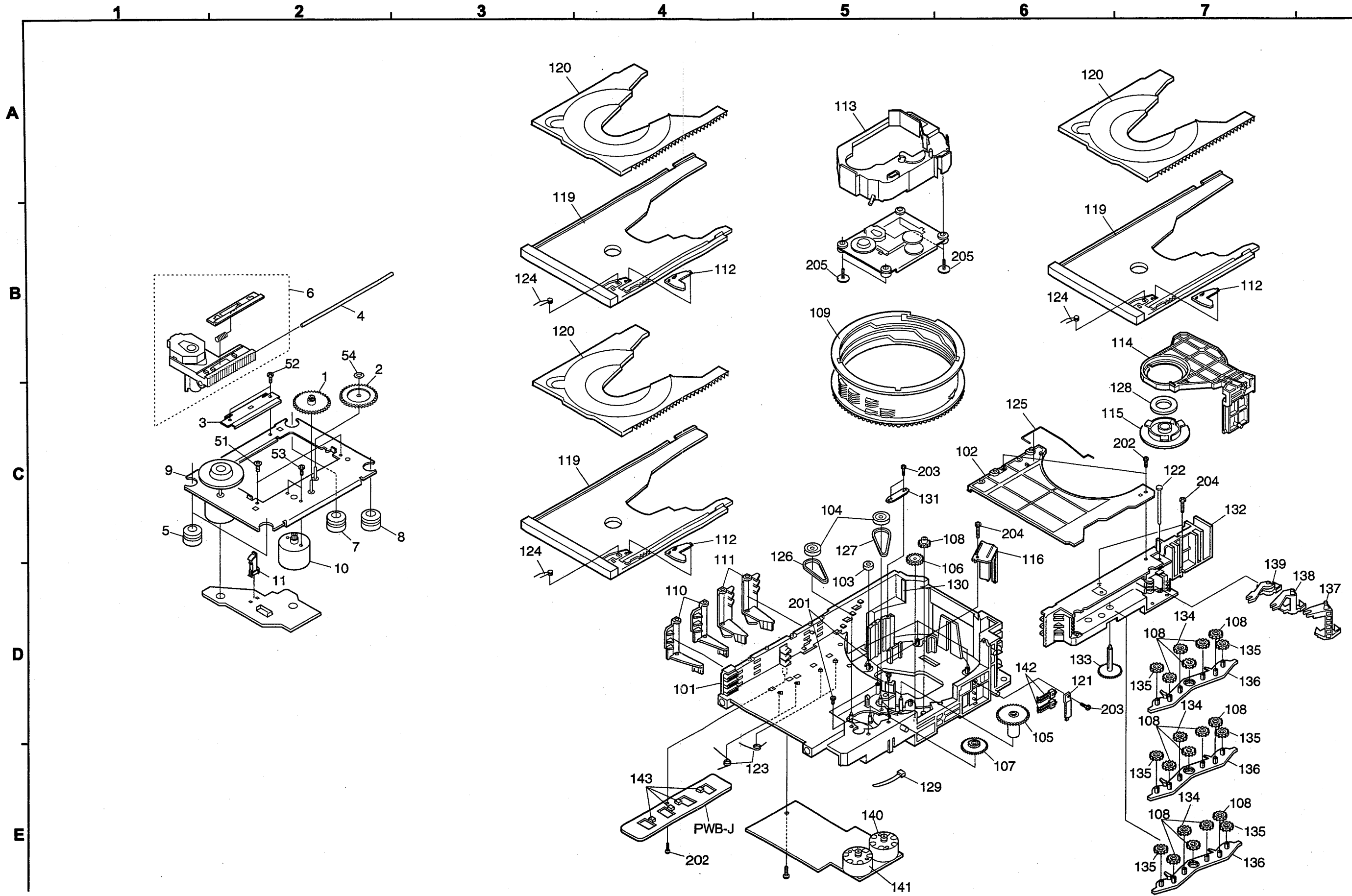
* As for "Note" in Part No. refer to ADDENDUM PARTS LIST on the right page.

Ref. No.	Part No.	Part Name	Remarks	Q'ty	Ref. No.	Part No.	Part Name	Remarks	Q'ty
1	* Note	Main/Tuner P.W.B. Ass'y		1	★ 41	9L3 7282 73	Purse lock DIA 8.0		1
1-1		Main unit		(1)	42	9LP C031 61	Mic volume knob	Asia model only	1
1-2		Tuner unit		(1)	43	9LE R002 42	1P US pin jack (yellow)	Asia model only	1
1-3		Motor unit		(1)	★ 44	* Note	Rear label		1
1-4		Power unit		(1)	★ 45	9LQ N031 21	Transportion label		1
1-5		H/P unit		(1)	★ 46	* Note	Origin label		1
1-6		Speaker unit		(1)	★ 47	* Note	Origin label		1
1-7		Jack unit		(1)	★ 48	9L4 9303 12	Number sheet		1
2	* Note	CD/Display P.W.B. Ass'y		1	★ 49	9LQ K000 51	Manufactured label	U.S.A./Canada models	1
2-1		CD unit		(1)	★ 50	9L4 9485 11	Fuse caution label	U.S.A./Canada models	1
2-2		Display unit		(1)	★ 51	9LQ L050 11	Caution label	U.S.A./Canada models	1
2-3		Control unit		(1)	SCREWS & NUTS				
2-4		Mic jack unit	Asia model only	(1)	101	9L8 6796 06	Screw 4x6 DT BIND B		8
2-5		Mic CCT. unit	Asia model only	(1)	102	9L8 6914 08	Screw 3x8 BT BIND		6
2-6		V-CD unit	Asia model only	(1)	103	9L8 6914 10	Screw 3x10 BT BIND		48
3	* Note	Front panel AL		1	104	9L8 6914 14	Screw 3x14 BT BIND		2
★ 4	9LS U018 51	Protection paper		1	105	9L8 6994 08	Screw 3x8 BT BIND B		4
5	* Note	Clear panel		1	106	9L8 6994 10	Screw 3x10 BT BIND B		28
6	9LP U003 31	DENON badge		1	107	9L8 6994 14	Screw 3x14 BT BIND B		4
7	9L4 8583 36	Spacer (60mm x 8mm)	for top cover	1	108	9LM K002 46	Nut M9x0.75		1
8	9LP H058 91	OP/CL Indicator		1	109	9L8 6014 08	Flat screw 3x8 DT BIND		1
9	9LM E016 41	Shield sheet		1	110	9L8 6714 04	Screw 3x4 DT BIND		3
★ 10	9LM N017 51	FL display spacer		1	111	9LM K003 21	Nut M12x1	Asia model only	1
11	* Note	Front panel		1	PACKING & ACCESSORIES (Not included EXPLODED VIEW.)				
12	* Note	Button (OP/CL)		1	201	* Note	Carton box		1
13	* Note	Button (play)		1	202	* Note	Control label		1
14	* Note	Button (tuner)		1	203	9LS P053 51	Cushion L		1
15	* Note	Button (power)		1	204	9LS P053 61	Cushion R		1
16	* Note	Volume knob Ass'y		1	205	9L3 6275 65	Pory sack	for AC cord	1
17	9LN Q061 21	Chassis		1	206	* Note	Pory sack	for set	1
18	9LM B003 61	Heat sink		1	207	* Note	Control sheet		1
19	9LN A285 31	Heat sink bracket		2	208	9LS X006 91	Origin label	Asia model only	1
20	9LU C004 51	3-CD changer mecha. unit		1	209	9LQ N019 95	UPC label	U.S.A./Canada models	1
21	9LN J028 21	Mecha. holder		1	210	9LQ N027 71	EAN label(E2)	Europe model only	1
22	9LN A287 41	Mecha. holder bracket		1	211	9LQ N027 72	EAN label(EK)	U.K. model only	1
23	* Note	Rear plate		1	212	9LQ T308 21	Warranty card Ass'y	U.S.A./Canada models	1
24	9LG S002 91	Cooling fan		1	213	9LS X006 93	Origin label	Asia model only	1
25	9LN A285 41	Trans bracket		1	214	* Note	Carton label		1
26	9LQ D057 91	Trans cover		1	215	* Note	Pory sack	for accessories	1
★ 27	9LQ N031 01	Spacer washer		1	216	9L2 7132 25	1P US pin cord (L=2000)	Asia model only	1
28	9LQ J003 91	Foot		4	217	9L2 7593 41	AM loop antenna		1
29	9LM S002 11	Felt		4	218	9LE F021 33	FM antenna connector		1
30	9LQ A011 51	Top cover		1	219	* Note	Remocon		1
31	* Note	Loader panel (1)		1	220	* Note	Instruction manual		1
32	* Note	Loader panel (2)		1					
33	* Note	Loader panel (3)		1					
△ 34	* Note	AC cord		1					
△ 34-1	9LE P000 62	3P BS adaptor	U.K. model only	1					
△ 35	* Note	Power trans		1					
36	9LE K009 71	30P FFC cable (L=100)	for display P.W.B.	1					
★ 37	9LE K009 72	30P FFC cable (L=200)	for CD mecha.	1					
△ 38	* Note	Fuse	F001	1					
★ 39	9L3 9737 31	Bar lock tie		7					
★ 40	9L3 7310 82	Purse lock DIA 11.5		2					

**ADDENDUM PARTS LIST
PARTS LIST OF EXPLODED VIEW**

Ref. No.	Part Name	Part No.			
		U.S.A./Canada	Europe	U.K.	Asia
1	Main P.W.B. Ass'y	9LJ T082 91	9LJ T082 92	9LJ T082 93	9LJ T082 96
2	CD P.W.B. Ass'y	9LJ T083 01	9LJ T083 02	9LJ T083 03	9LJ T083 06
3	Front panel AL	9LP M064 31	9LP M064 31	9LP M064 31	9LP M064 32
5	Clear panel	9LP H058 71	9LP H058 71	9LP H058 71	9LP H058 81
11	Front panel	9LP H059 01	9LP H059 01	9LP H059 01	9LP H059 02
12	Button (OP/CL)	9LP C030 31	9LP C030 31	9LP C030 31	9LP C030 32
13	Button (play)	9LP C030 41	9LP C030 41	9LP C030 41	9LP C030 42
14	Button (tuner)	9LP C030 51	9LP C030 51	9LP C030 51	9LP C030 52
15	Button (power)	9LP C030 61	9LP C030 61	9LP C030 61	9LP C030 62
16	Volume knob Ass'y	9LP A000 43	9LP A000 43	9LP A000 43	9LP A000 44
23	Rear plate	9LQ A011 41	9LQ A011 41	9LQ A011 41	9LQ A011 42
31	Loader panel (1)	9LP H059 11	9LP H059 11	9LP H059 11	9LP H059 14
32	Loader panel (2)	9LP H059 12	9LP H059 12	9LP H059 12	9LP H059 15
33	Loader panel (3)	9LP H059 13	9LP H059 13	9LP H059 13	9LP H059 16
△ 34	AC cord	9LE V007 06	9LE V007 04	9LE V007 04	9LE V007 04
△ 35	Power trans.	9LB T011 33	9LB T011 31	9LB T011 31	9LB T011 31
△ 38	Fuse T630mA (F001)	—	9L2 7280 72	9L2 7280 72	9L2 7280 72
△ 38	Fuse 1.6A/125V (F001)	9L2 7224 13	—	—	—
44	Rear label	9LQ L059 41	9LQ L059 42	9LQ L059 42	9LQ L059 43
46	Origin label	9L4 9313 07	9LQ N029 74	9LQ N029 74	9L4 9313 07
47	Origin label	9L4 9313 06	9LQ N029 73	9LQ N029 73	9L4 9313 06
PACKING AND ACCESSORIES					
201	Carton box	9LS G079 31	9LS G079 32	9LS G079 32	9LS G079 33
202	Control label	9LQ N026 95	9LQ N026 96	9LQ N026 97	9LQ N026 98
206	Pory sack	9LS U010 15	9LS U010 15	9LS U010 14	9LS U010 15
207	Control sheet	9LQ N026 91	9LQ N026 92	9LQ N026 93	9LQ N026 94
214	Carton label	9LQ N029 84	9LQ N029 85	9LQ N029 85	9LQ N029 83
215	Pory sack	9L3 6402 14W	9L3 6402 13W	9L3 6402 14W	9L3 6402 14W
219	Remocon RC-846	9LH L009 03	9LH L009 03	9LH L009 03	—
219	Remocon RC-847	—	—	—	9LH L009 04
220	Instruction manual	9LQ R262 01	9LQ R262 02	9LQ R262 02	9LQ R262 04

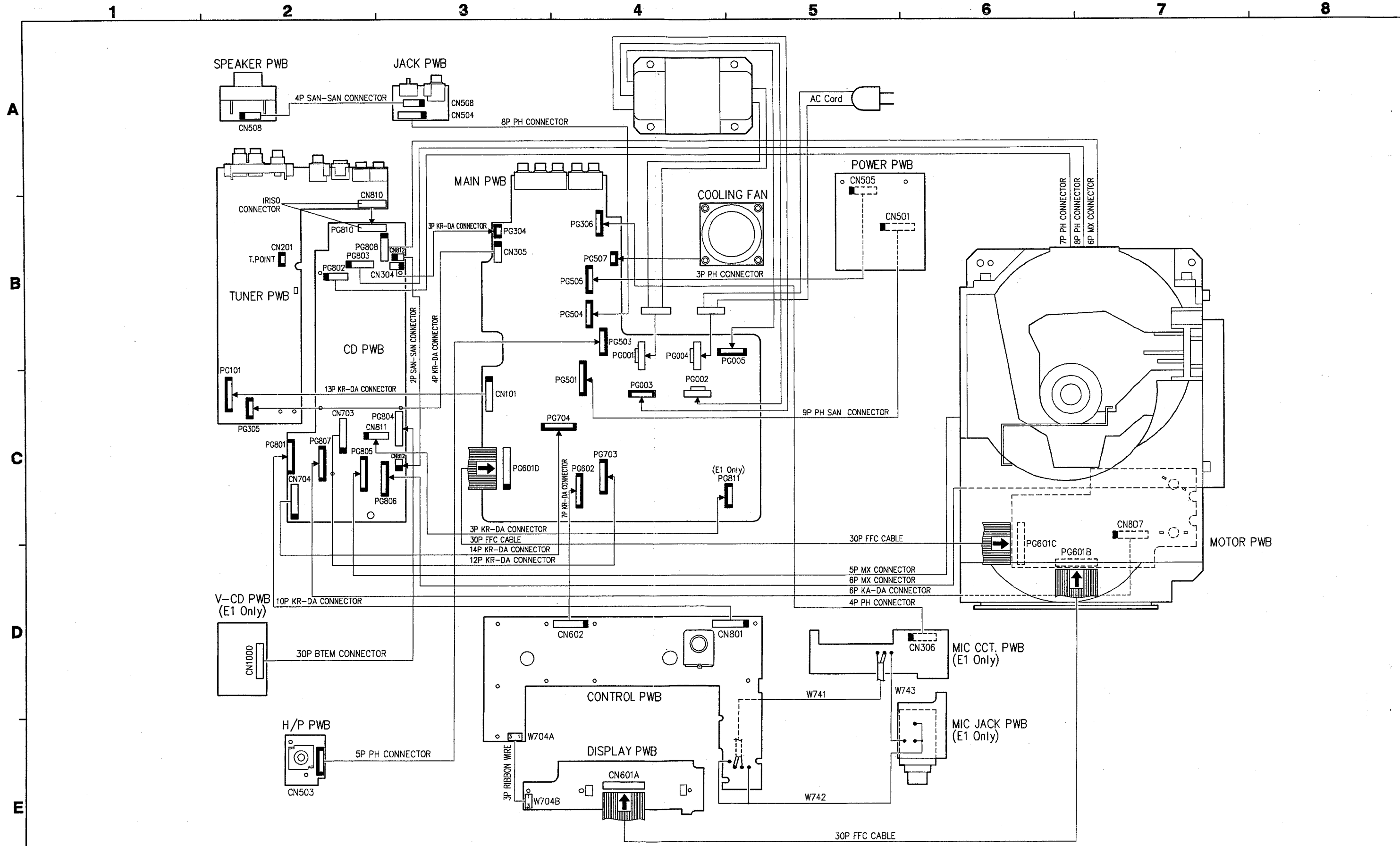
EXPLODED VIEW OF CD CHANGER MECHANISM UNIT

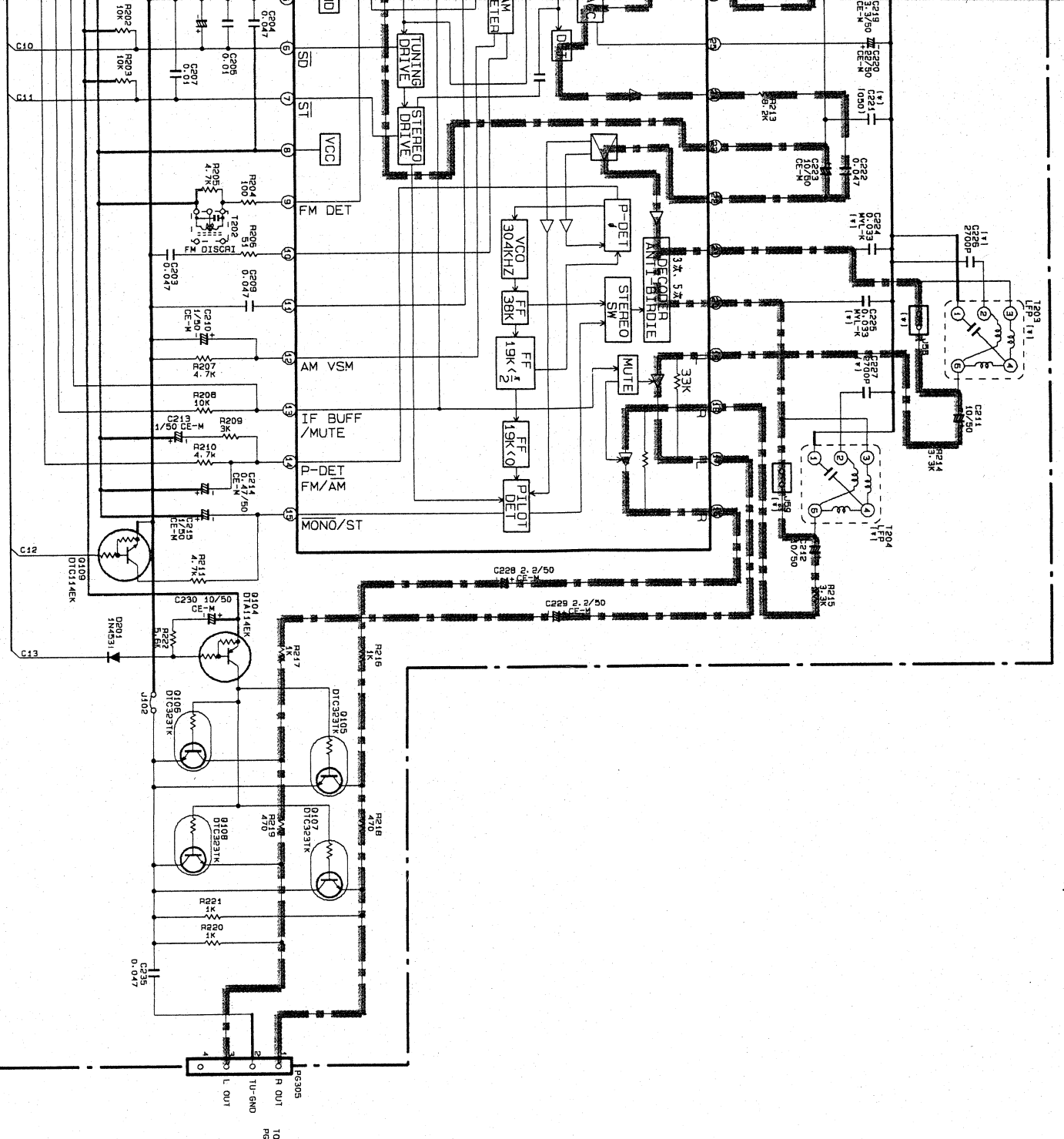


PARTS LIST OF CD CHANGER MECHANISM UNIT (Part No. : 9LU C004 51)

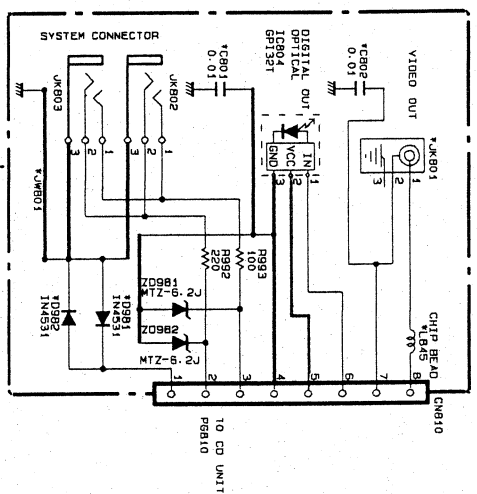
Ref. No.	Part No.	Part Name	Remarks	Q'ty	Ref. No.	Part No.	Part Name	Remarks	Q'ty
LOADER MECH. SECTION					TRAVERES SECTION				
101	937 0233 003	Main base	1242070025	1	1	937 0121 005	Middle gear	1102810126	1
102	937 0233 100	Top board	1242000146	1	2	937 0121 102	Draiv gear	1102810127	1
103	937 0233 207	Cam guide roller	1242870011	3	3	937 0121 209	Guide railroller	1102480681	1
104	937 0233 304	Drive pulley	1102860025	2	4	937 0121 306	Guide shaft	1102900223	1
105	937 0233 401	Idler gear	1242810041	1	5	937 0121 403	Gum cushion (gray)	1303260448	2
106	937 0233 508	Cam gear	1242810042	1	6	937 0227 103	Pickup unit	1306170020	1
107	937 0233 605	Middle gear	1242810043	1	7	937 0164 305	Gum cushion (green)	1103260278	1
108	937 0233 702	Tray idler gear	1242810046	12	8	937 0164 208	Gum cushion (red)	1103260275	1
109	937 0233 809	Main cam	1242410001	1	9	937 0150 607	Chassis with motor Ass'y	1106300208	1
110	937 0233 906	Front switch lever	1242480078	2	10	937 0122 004	Slide motor Ass'y	1106300207	1
111	937 0234 002	Rear switch lever Ass'y	1242480115	2	11	937 0122 208	Limit switch	1105300522	1
112	937 0234 109	Tray lock lever	1242480080	3					
113	937 0234 206	Mecha holder	1243450005	1	51	937 0121 801	Screw 2.6x6	1109700937	2
114	937 0234 303	Stabilizer holder	1243450006	1	52	937 0121 814	Screw 2x5	1109700938	2
115	937 0234 400	Stabilizer	1242140101	1	53	937 0121 827	Screw 2x3	1309701564	2
116	937 0234 507	Mecha holder guide	1243450004	1	54	937 0121 908	Cut washer φ1.5xφ3.8x0.25mm	1109900315	1
119	937 0234 604	Guide tray	1241100051	3					
120	937 0234 701	Disk tray	1241100052	3					
121	937 0234 808	Switch angle	1242000147	1					
122	937 0234 905	Tray change shaft	1242900077	1					
123	937 0235 001	Tray switch spring	1242580117	4					
124	937 0235 108	Tray lock lever spring	1242580119	3					
125	937 0235 111	Disk stop spring	1242580118	1					
126	937 0235 205	Tray drive belt	1242710003	1					
127	937 0235 302	Cam drive belt	1242710004	1					
128	937 0235 409	Magnet	1103730019	1					
129	445 0033 005	Nylon band (L=80mm)	1309330057	2					
130	937 0235 506	Rubber sheet	1243520009	1					
131	937 0235 603	Mecha holder angle	1242000192	1					
132	937 0235 700	Change box	1242070027	1					
133	937 0235 807	Center gear	1242810044	1					
134	937 0235 904	Center tray gear	1242810045	3					
135	937 0236 000	Tray drive gear	1242810047	6					
136	937 0236 107	Tray change lever	1242480074	3					
137	937 0236 204	Top joint lever	1242480075	1					
138	937 0236 301	Middle joint lever	1242480076	1					
139	937 0236 408	Bottom joint lever	1242480077	1					
140	937 0236 602	Motor Ass'y	1246300041	1					
			for main cam						
141	937 0236 602	Motor Ass'y	1246300041	1					
			for tray						
142	937 0236 709	Cam switch	1245300022	2					
143	937 0041 606	Tray switch	1305301248	4					
201	937 0236 505	Screw 2.6x4	1309700139	4					
202	937 0236 518	Screw 2x7	1429700216	3					
203	937 0236 521	Screw 2x6	1429700120	3					
204	937 0182 947	Screw 2.6x12	1429700072	4					
205	937 0231 047	Screw with washer 2.6x10	1129700192	4					

WIRING DIAGRAM

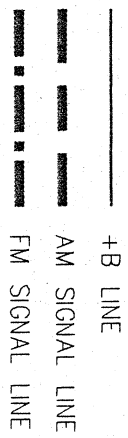




78101 TO MAIN PWB UNIT CN101



DEST	C901	C902	D901	D904	D902	J901	J901	J901	J901
E1	O	O	X	X	O	O	O	O	O
E2	X	X	X	X	X	X	X	X	X
E3	X	X	X	O	O	X	X	X	X
J	X	X	X	O	O	X	X	X	X



NOTICE
 ALL RESISTANCE VALUES IN OHM, k=1,000 OHM M=1,000,000 OHM
 ALL CAPACITANCE VALUES IN MICRO FARAD. P=MICRO-MICRO FARAD
 EACH VOLTAGE AND CURRENT ARE MEASURED AT NO SIGNAL INPUT
 CONDITION.
 CIRCUIT AND PARTS ARE SUBJECT TO CHANGE WITHOUT PRIOR
 NOTICE.

WARNING:
 Ports marked with this symbol have critical characteristics.
 Use ONLY replacement parts recommended by the manufacturer.
CAUTION:
 Before returning the unit to the customer, make sure you make either (1) a
 leakage current check or (2) a line to chassis resistance check. If the leakage
 current exceeds 0.5 milliamps, or if the resistance from chassis to either side
 of the power cord is less than 460 kohms, the unit is defective.
WARNING:
 DO NOT return the unit to the customer until the problem is located and
 corrected.

1

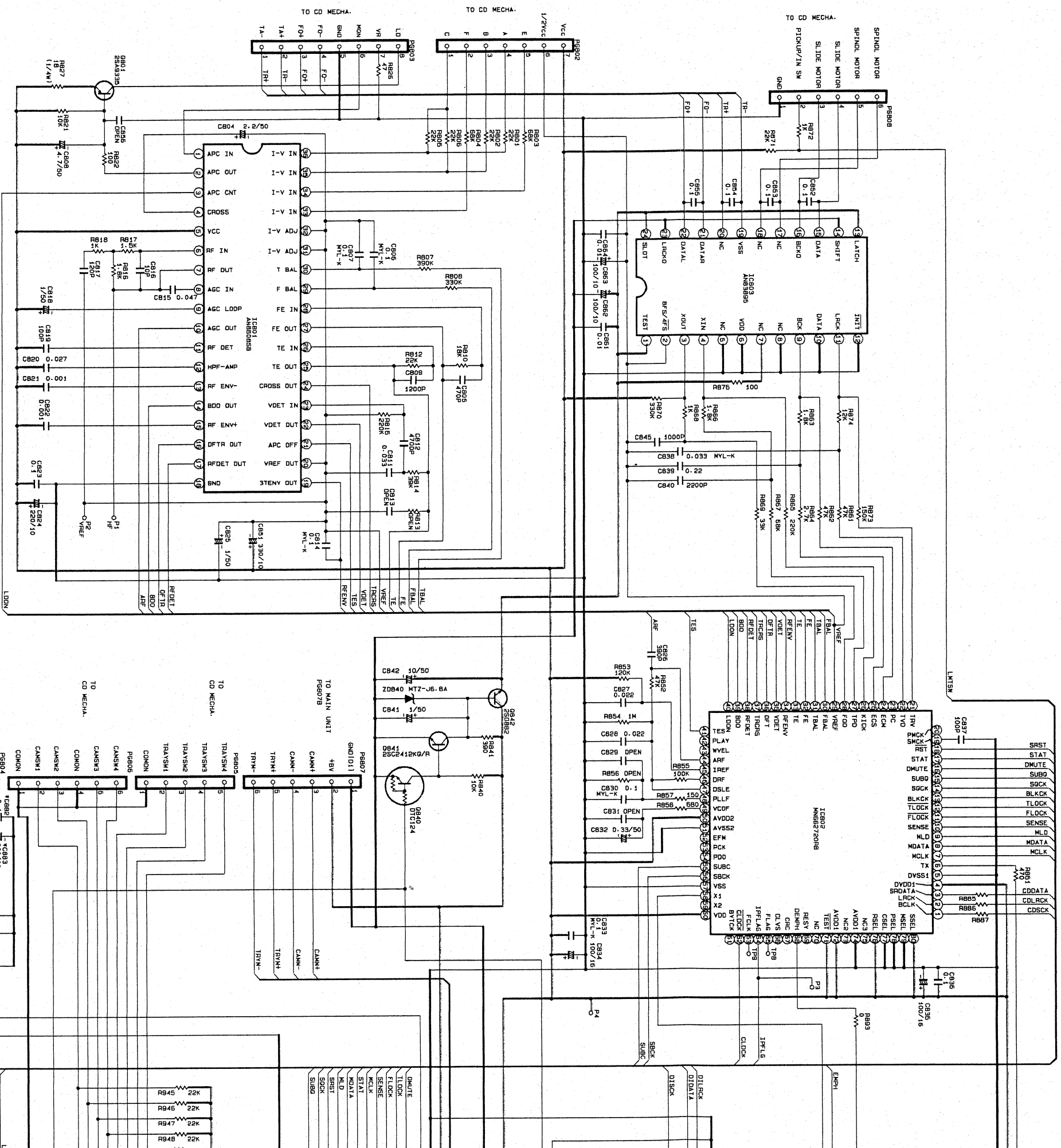
2

3

4

5

6



CD P.W.B. ASS'Y UNIT TABLE OF DIFFERENCE

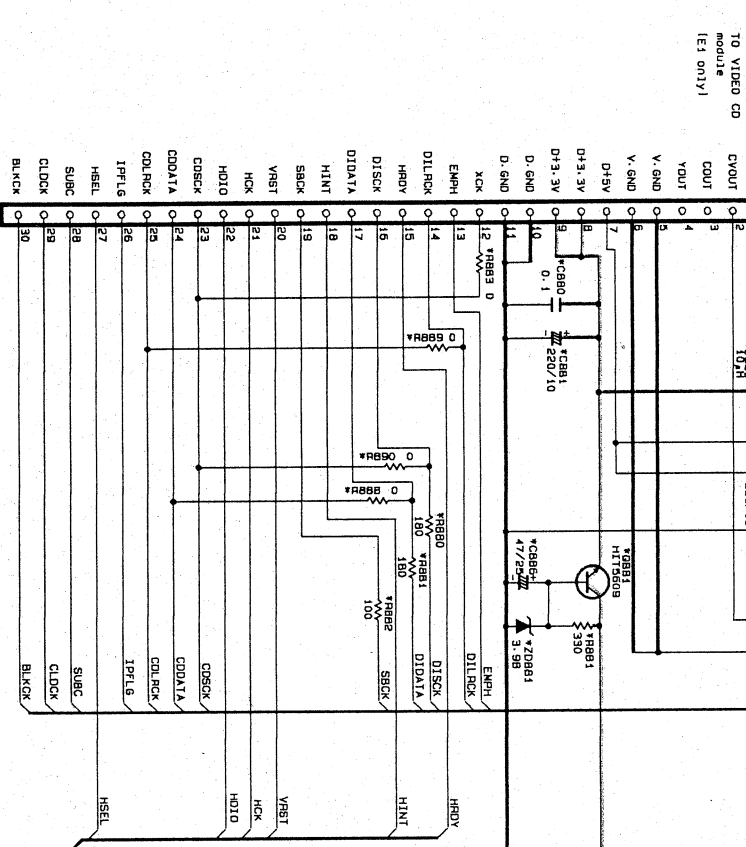
CD P.W.B. ASS'Y UNIT	POWER for VCD UNIT	POWER for VCD UNIT	POWER for VCD UNIT	POWER for VCD UNIT	POWER for VCD UNIT	POWER for VCD UNIT	POWER for VCD UNIT	POWER for VCD UNIT	POWER for VCD UNIT	POWER for VCD UNIT
E1	100	100	100	330	330	330	10K	10K	10K	10K
ER-E3, J	X	X	X	X	X	X	X	X	X	X

CD P.W.B. ASS'Y UNIT	POWER for VCD UNIT	POWER for VCD UNIT	POWER for VCD UNIT	POWER for VCD UNIT	POWER for VCD UNIT	POWER for VCD UNIT	POWER for VCD UNIT	POWER for VCD UNIT	POWER for VCD UNIT	POWER for VCD UNIT
E1	0.1	200/10	0.1	200/10	0.1	200/10	47/20	3.3M	H1T5009	22K
ER-E3, J	X	X	X	X	X	X	X	X	X	X

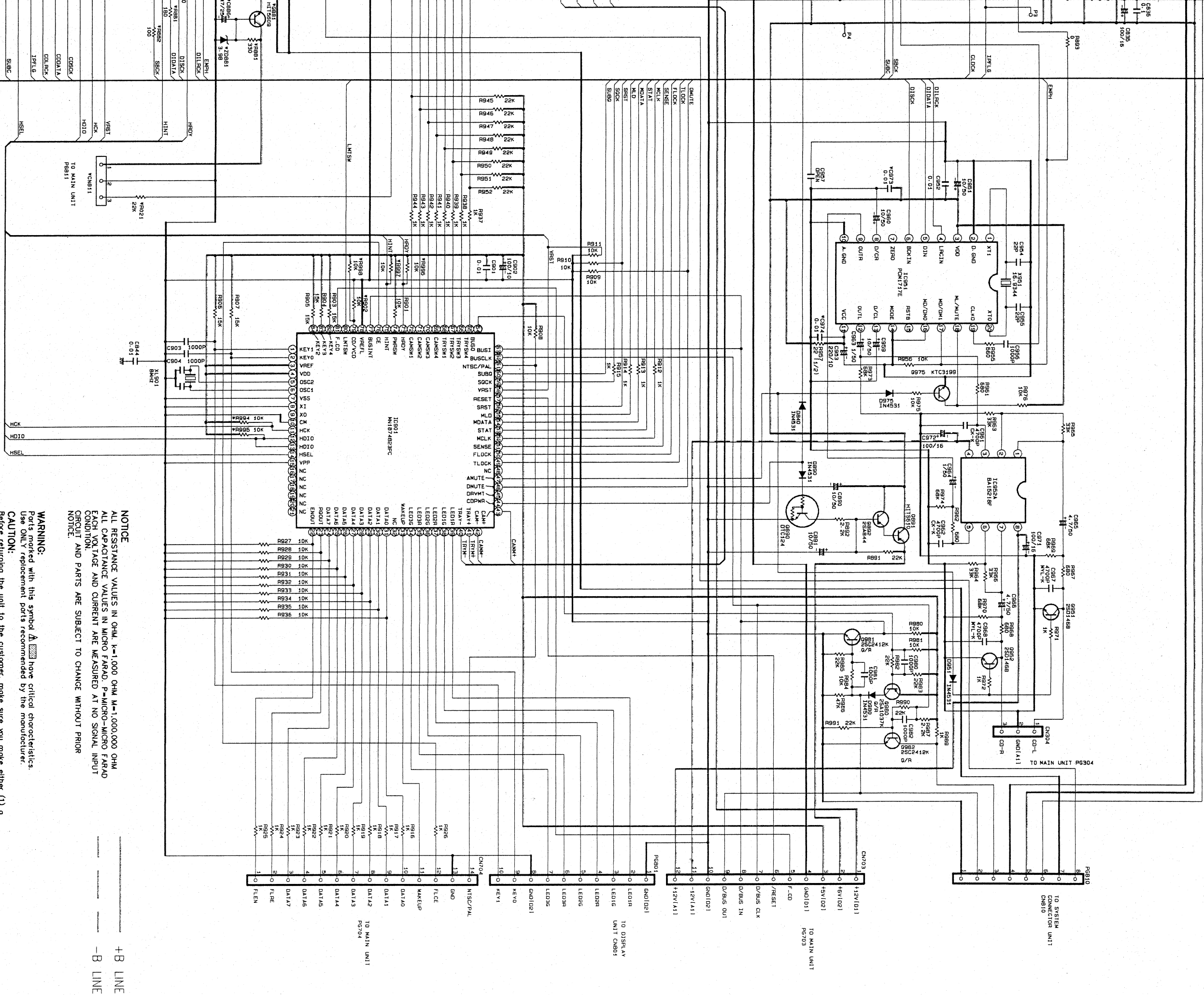
CD P.W.B. ASS'Y UNIT	POWER for VCD UNIT	POWER for VCD UNIT	POWER for VCD UNIT	POWER for VCD UNIT	POWER for VCD UNIT	POWER for VCD UNIT	POWER for VCD UNIT	POWER for VCD UNIT	POWER for VCD UNIT	POWER for VCD UNIT
E1	0	0	0	X	X	X	X	X	X	X
ER-E3, J	0	0	0	X	X	X	X	X	X	X

DEST.	CD P.W.B. ASS'Y UNIT	POWER for VCD UNIT	POWER for VCD UNIT	POWER for VCD UNIT	POWER for VCD UNIT	POWER for VCD UNIT	POWER for VCD UNIT	POWER for VCD UNIT	POWER for VCD UNIT	POWER for VCD UNIT
E3	X	0	0	X	X	X	X	X	X	X
ER-ER	0	0	0	X	X	X	X	X	X	X
E1	0	0	0	X	X	X	X	X	X	X
J	X	X	X	X	X	X	X	X	X	X

CD/VCD VERSION SELECT



D-M5 SCHEMATIC DIAGRAM
FOR CD



NOTICE
ALL RESISTANCE VALUES IN OHM, K=1,000 OHM, M=1,000,000 OHM.
ALL CAPACITANCE VALUES IN MICRO FARAD, P=MINI-CRHO-MICRO FARAD
EACH VOLTAGE AND CURRENT ARE MEASURED AT NO SIGNAL INPUT
CONDITION.
CIRCUIT AND PARTS ARE SUBJECT TO CHANGE WITHOUT PRIOR
NOTICE.

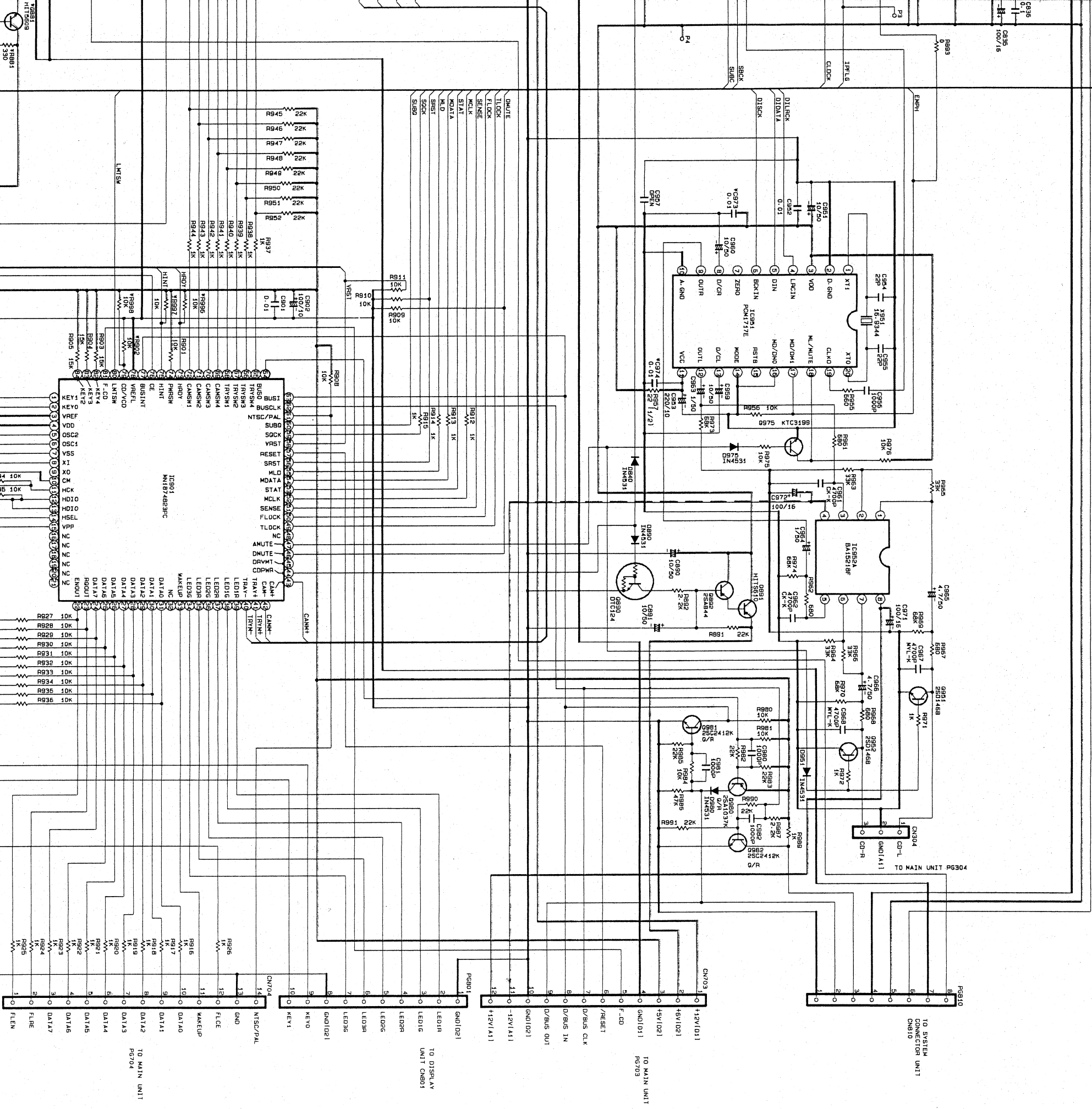
WARNING:
Parts marked with this symbol Δ have critical characteristics.
Use ONLY replacement parts recommended by the manufacturer.

CAUTION:
Before returning the unit to the customer, make sure you make either (1) a leakage current check or (2) a line to chassis resistance check. If the leakage current exceeds 0.5 millamps, or if the resistance from chassis to either side of the power cord is less than 460 kohms, the unit is defective.

WARNING:
DO NOT return the unit to the customer until the problem is located and corrected.

+B LINE
-B LINE

D-M5 SCHEMATIC DIAGRAM
for CD



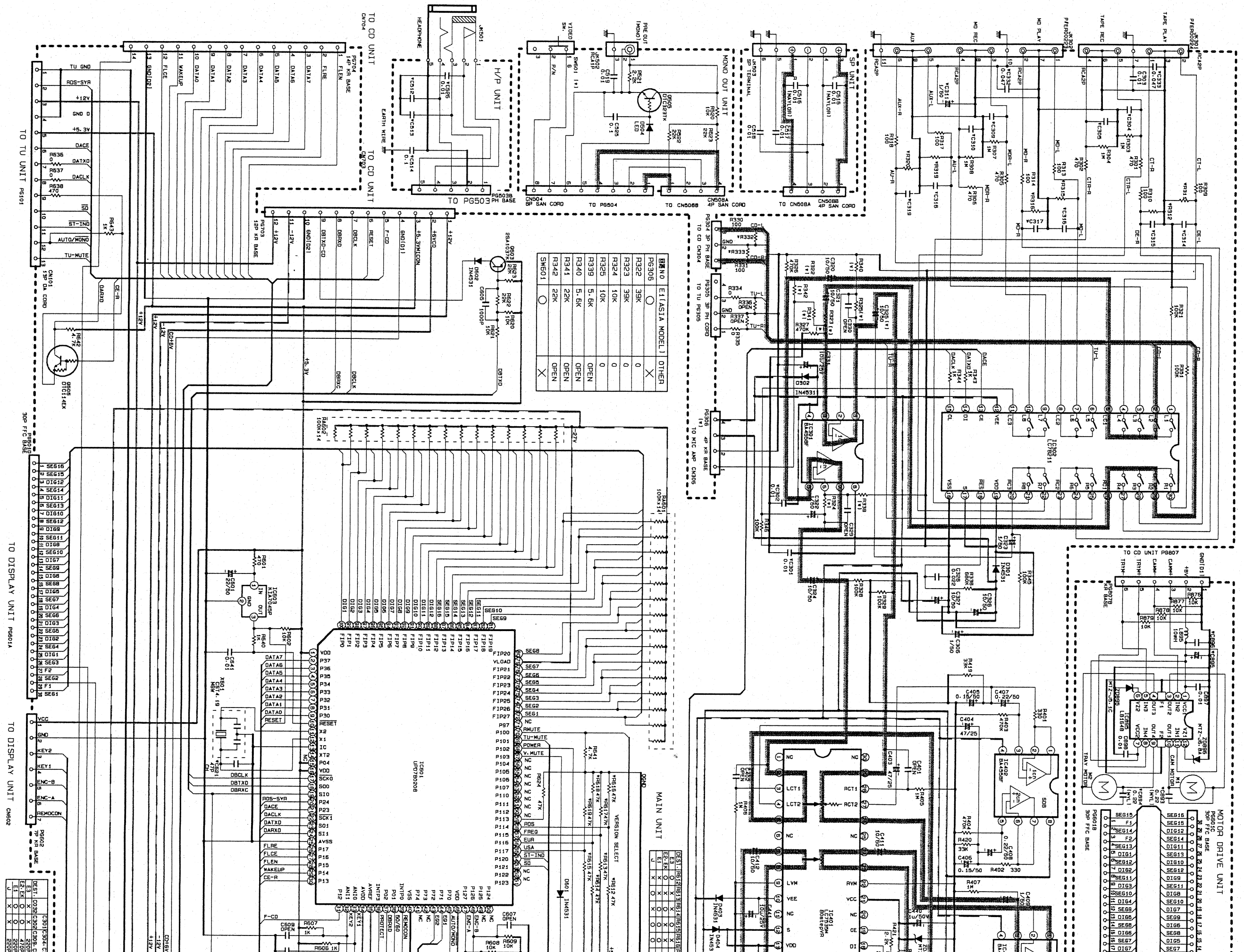
NOTICE
ALL RESISTANCE VALUES IN OHM, K=1,000 OHM, M=1,000,000 OHM.
ALL CAPACITANCE VALUES IN MICRO FARAD, P=MINI-CRHO-FARAD
CONDITION.
CIRCUIT AND PARTS ARE SUBJECT TO CHANGE WITHOUT PRIOR
NOTICE.

WARNING: with this symbol Δ have critical characteristics.
Parts marked with this symbol Δ have critical characteristics.
Use ONLY replacement parts recommended by the manufacturer.

CAUTION:
Before returning the unit to the customer, make sure you make either (1) a
leakage current check or (2) a line to chassis resistance check. If the leakage
current exceeds 0.5 milliamperes, or if the resistance from chassis to either side
of the power cord is less than 460 kohms, the unit is defective.

WARNING:
DO NOT return the unit to the customer until the problem is located and
corrected.

+B LINE
-B LINE



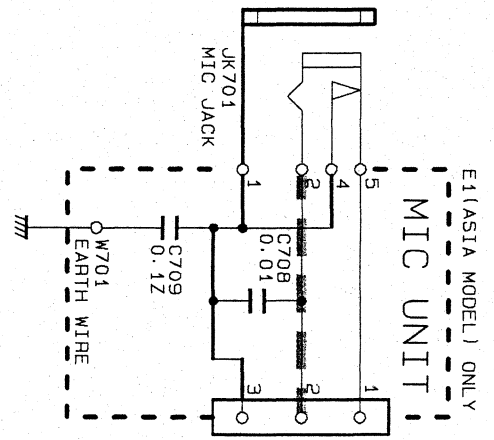
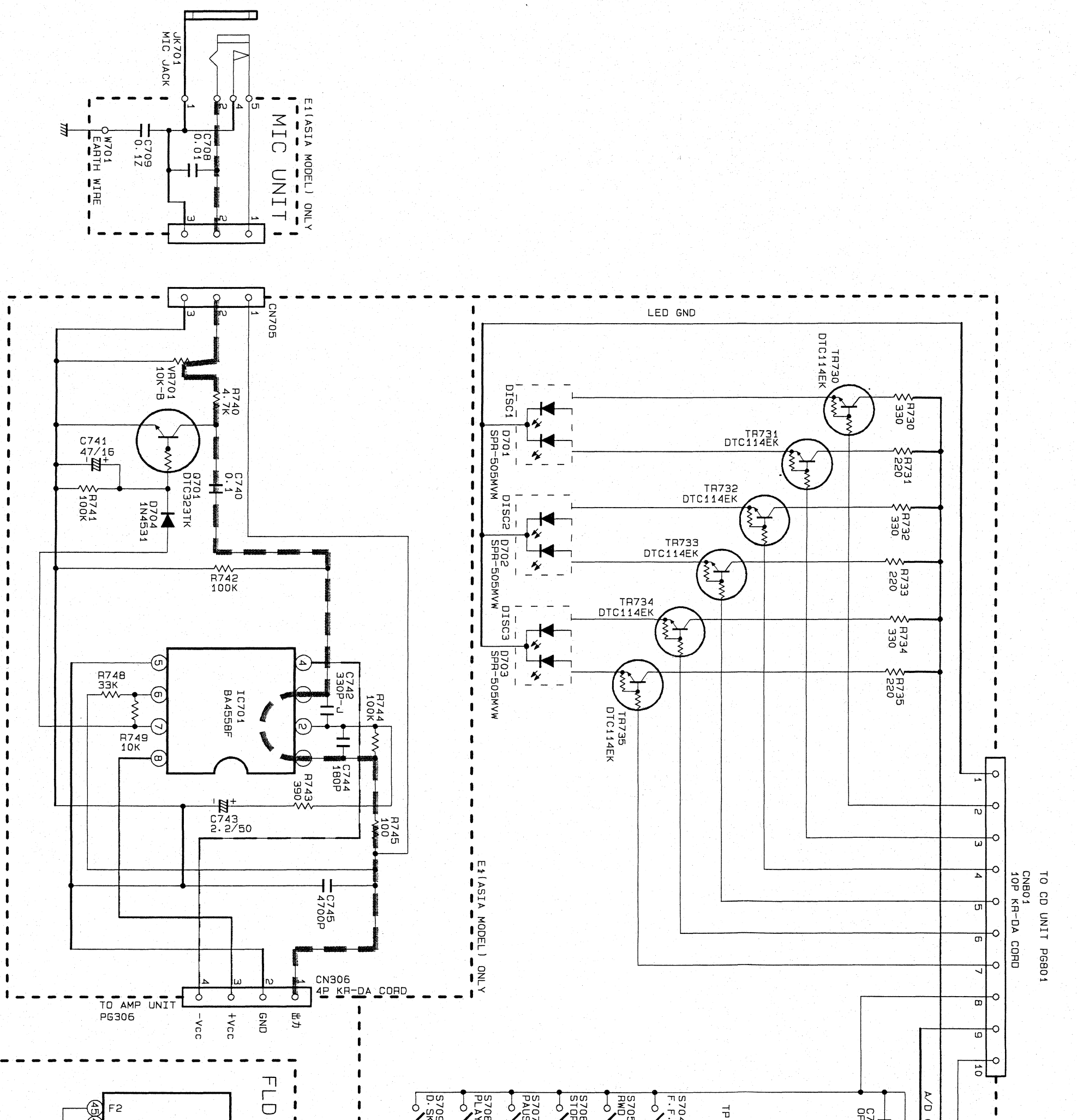
BOARD NO.	E11ASTIA MODEL	OTHER
P6306	○	×
R322	39K	0
R323	39K	0
R324	10K	0
R325	10K	0
R339	5.6K	OPEN
R340	5.6K	OPEN
R341	22K	OPEN
R342	22K	OPEN
SW601	○	×

DEST.	T1812	T1813	T1814	T1815	T1816	T1817	T1818
E	○	○	○	○	○	○	○
L	○	○	○	○	○	○	○
S	○	○	○	○	○	○	○
T	○	○	○	○	○	○	○
X	○	○	○	○	○	○	○
Y	○	○	○	○	○	○	○
Z	○	○	○	○	○	○	○


NOTICE
ALL RESISTANCE VALUE
ALL CAPACITANCE VALUE
EACH VOLTAGE AND C
CONDITION.
CIRCUIT AND PARTS A

SCHEMATIC DIAGRAMS (4/4)

1 2 3 4 5 6

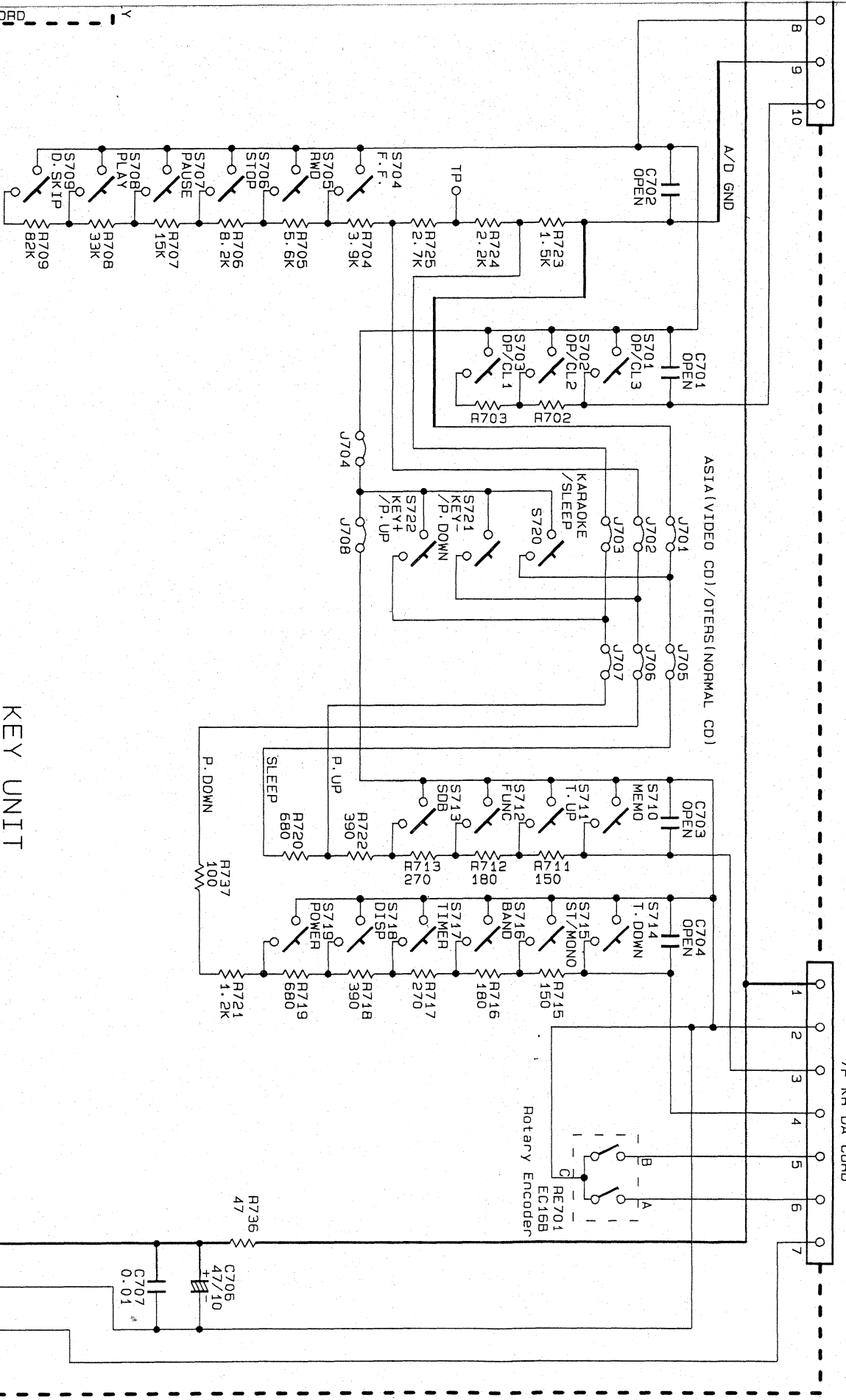


NOTICE
 ALL RESISTANCE VALUES IN OHM, K=1,000 OHM M=1,000,000 OHM
 ALL CAPACITANCE VALUES IN MICRO FARAD, P=MICRO-MICRO FARAD
 EACH VOLTAGE AND CURRENT ARE MEASURED AT NO SIGNAL INPUT
 CONDITION.
 CIRCUIT AND PARTS ARE SUBJECT TO CHANGE WITHOUT PRIOR
 NOTICE.

WARNING:
 Parts marked with this symbol  have critical characteristics.
 Use ONLY replacement parts recommended by the manufacturer.

CAUTION:
 Before returning the unit to the customer, make sure you make either (1) a leakage current check or (2) a line to chassis resistance check. If the leakage current exceeds 0.5 milliamperes, or if the resistance from chassis to either side of the power cord is less than 450 kohms, the unit is defective.

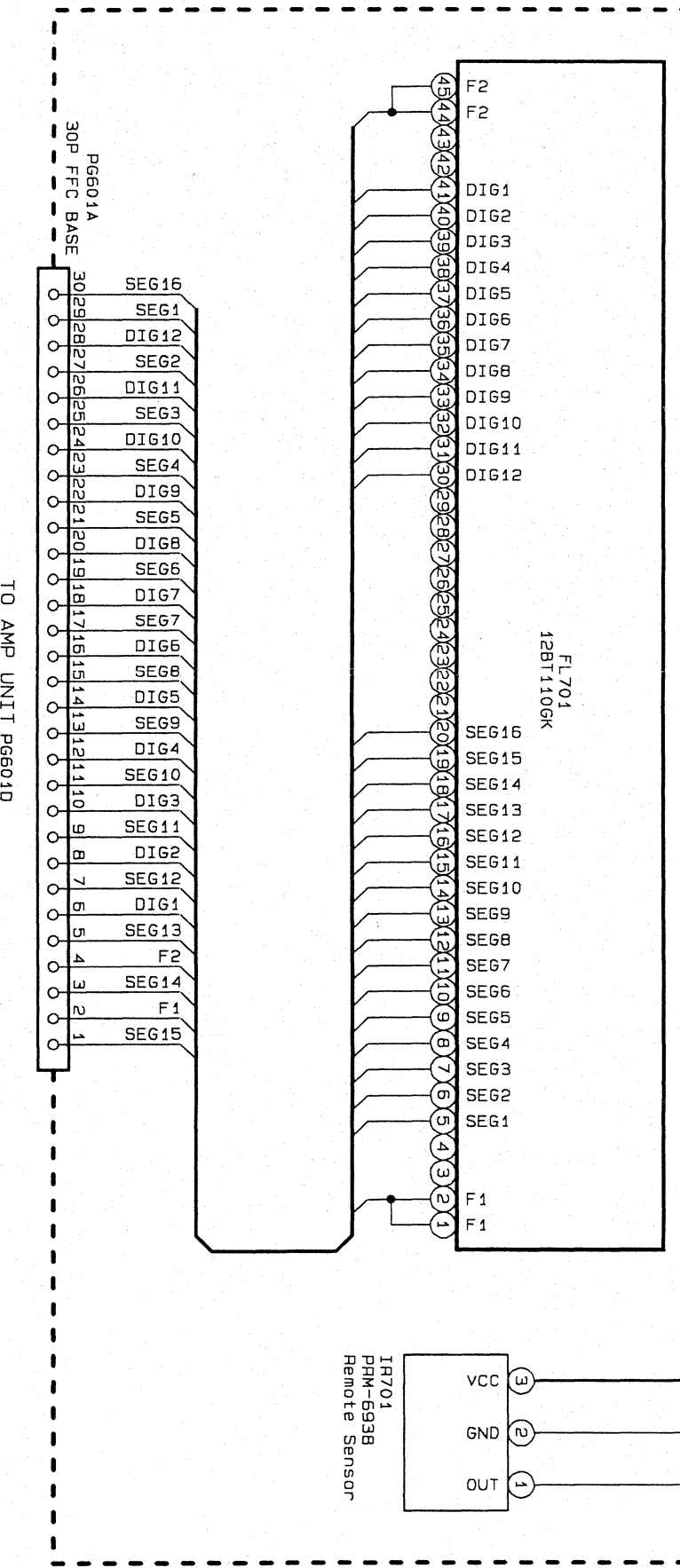
WARNING:
 DO NOT return the unit to the customer until the problem is located and corrected.



KEY UNIT

3P RIBBON WITH WIRE HOLDER

FLD UNIT



+B LINE

-B LINE

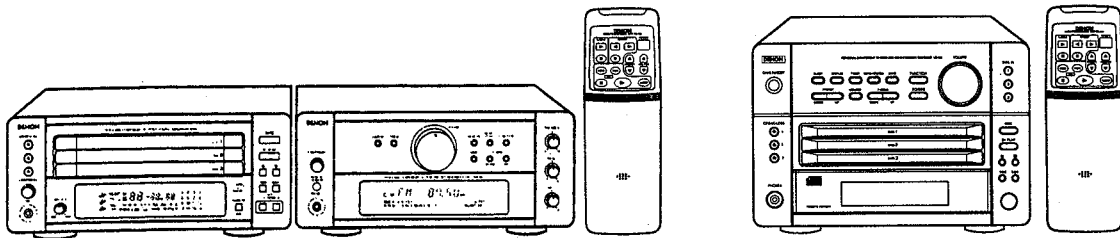
MIC SIGNAL LINE

DENON

Hi-Fi Stereo Component

SUPPLEMENT

SERVICE MANUAL MODEL D-M7/UD-M5



PERSONAL COMPONENT SYSTEM
D-M7

Unit No. UDRA-M7 (Receiver)
Unit No. UDCM-M7 (Compact Disc Player)

STEREO CD RECEIVER
UD-M5

How to disassemble the CD Changer Mechanism used in D-M7 and UD-M5 is described in this service manual. Refer to the already issued service manual of D-M7 and D-M7 (Supplement) also for servicing D-M7, and UD-M5 for servicing UD-M5 at the same time.

— TABLE OF CONTENTS —

DISASSEMBLY	2-4
CD WAVEFORM CONFIRMATION	5

● Some illustrations using in this service manual are slightly different from the actual set.

NIPPON COLUMBIA CO., LTD.

Mechanism Section

(Follow the procedure below in reverse order when reassembling)

1. Traverse Mecha. Ass'y

- (1) Take off Top Board by removing 2 screws ①. (Fig. A)
- (2) Pull up Tray Change Shaft, and remove Top, Middle and Bottom Joint Levers. (Fig. B)
- (3) Lower the Traverse Mecha. by turning Main Cam or Cam Gear to the arrow direction (counterclockwise) to disengage chucking of Disc Tray, and put it in Guide Tray. (Fig. A)
- (4) Pull out the Tray part with pressing the front of Change Lever as shown with the arrow A ~ C in turn from the top. (Fig. A)
- (5) Turn the Main Cam or Cam Gear until it stops turning as shown in the arrow (clockwise). (Fig. B)
- (6) Raise Stabilizer Holder with pressing its side hook and release the hook. (Fig. C)
- (7) Turn the Main Cam or Cam Gear again to the arrow direction (clockwise), and align recesses of the Main Cam with projections of Mecha. Holder. (Fig. B, D)
- (8) Pull up the Stabilizer Holder to take it off. (Fig. C)
- (9) Remove screw ② to take off Mecha. Holder Guide. (Fig. C)
- (10) Remove 2 screws ③ to take off Mecha. Holder Angle. (Fig. D)
- (11) Pull the Traverse Mecha. Ass'y apart after checking that the projections of the Mecha. Holder correspond with the recesses of the Main Cam. (Fig. D)

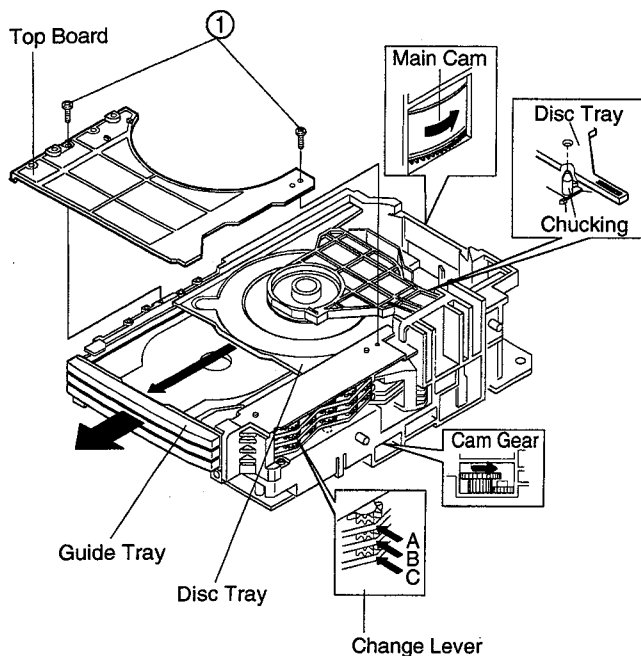


Fig. A

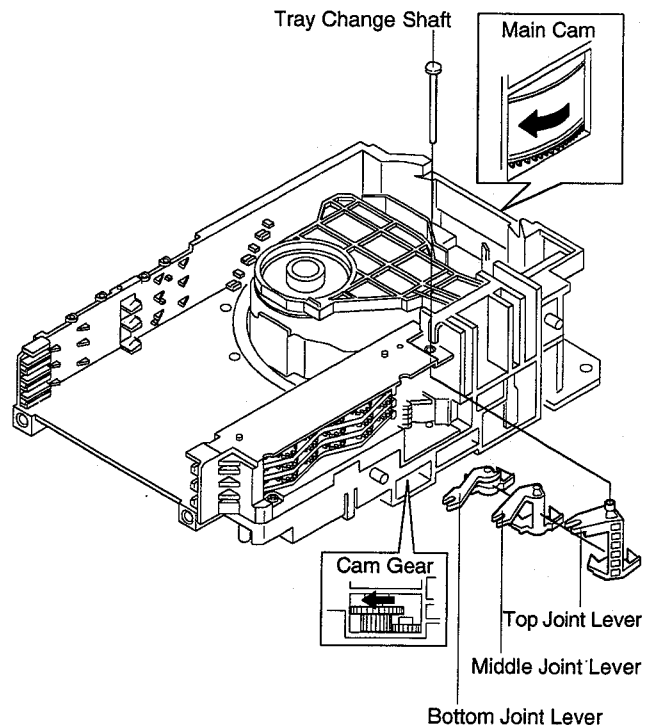


Fig. B

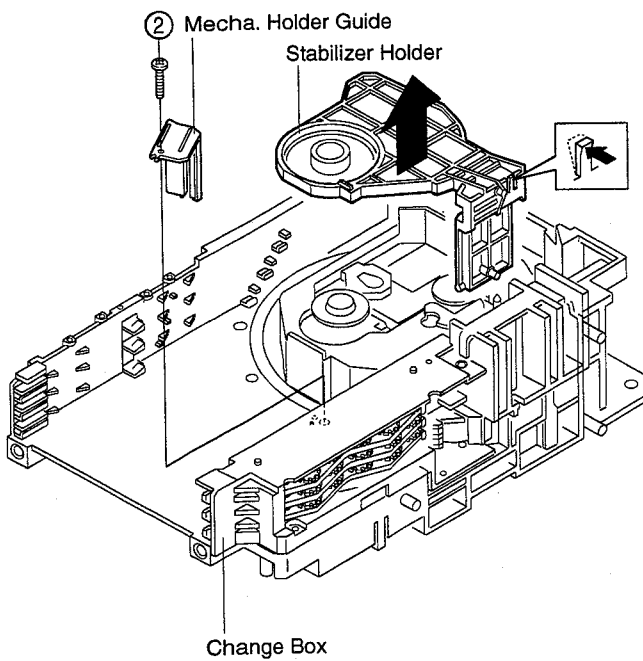


Fig. C

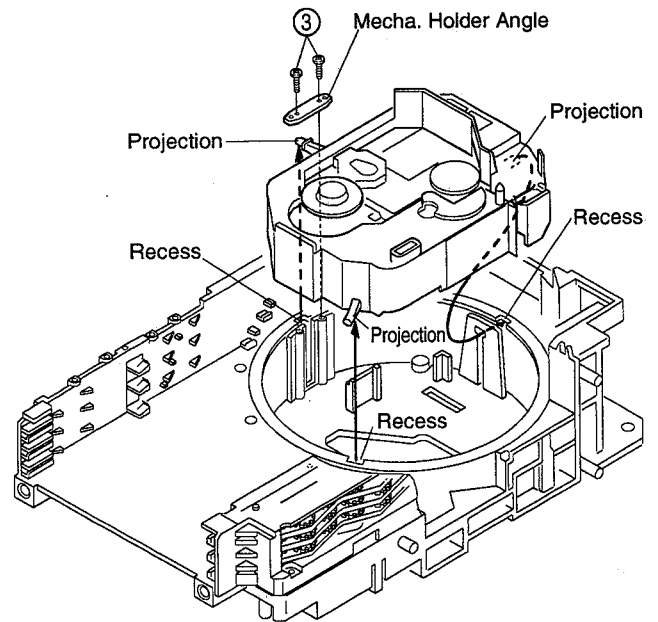
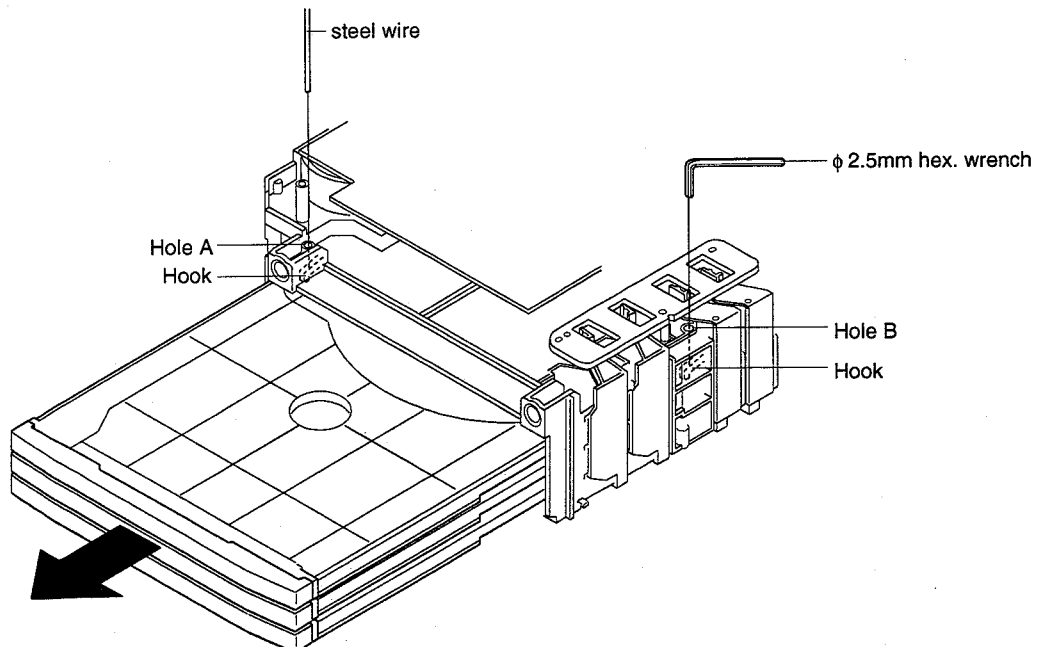


Fig. D

2. Tray 1 ~ 3

- (1) Turn the CD Mecha. over.
- (2) Insert a steel wire or eyeleteer into the hole A, and ϕ 2.5mm hex. wrench into the hole B through P.W.B. gap to release both hooks at once, then pull the Tray 3 apart as shown in fig.
 - * Be careful as the hooks may be broken if pushed hard.
 - * As to releasing the hole B hook for the Tray 1 and 2, finger pushing through side openings is possible.

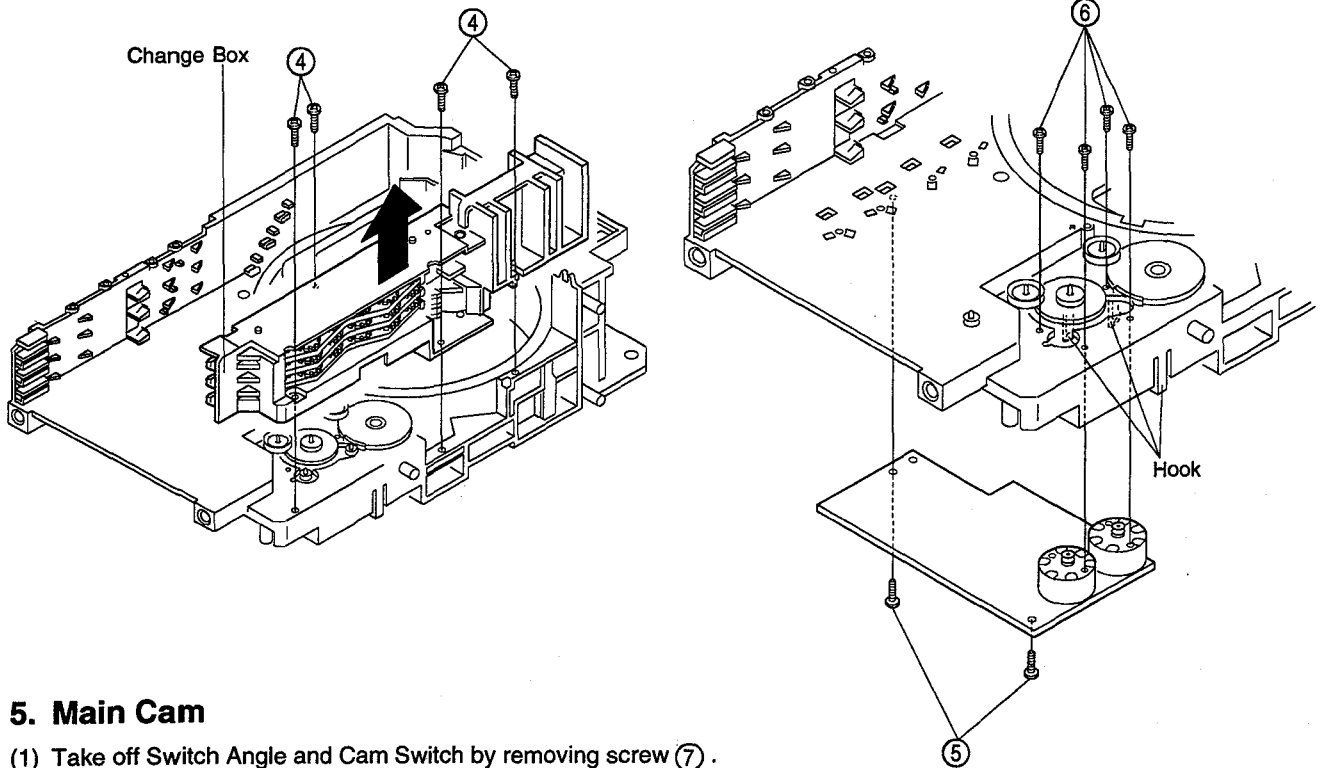


3. Change Box

Remove 4 screws ④ and pull up the Change Box.

4. Motor P.W.B.

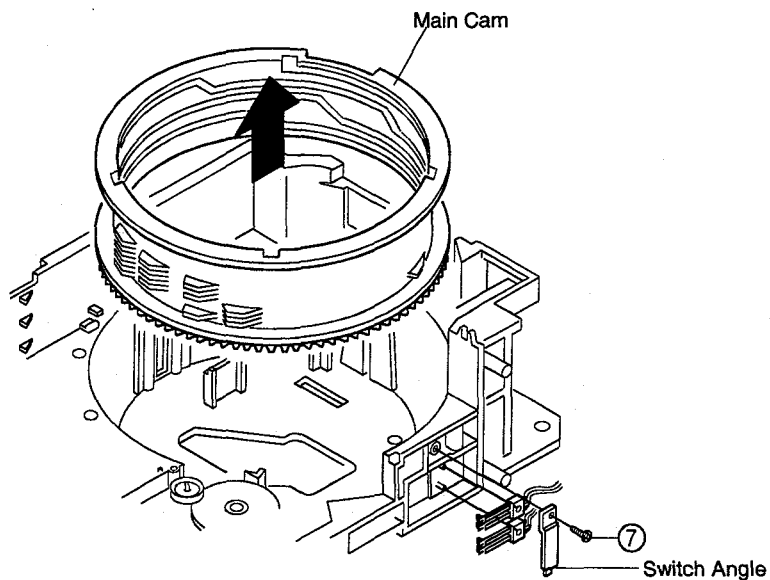
- (1) Remove 2 screws ⑤ from the P.W.B.
- (2) Detach the P.W.B. by removing 4 screws ⑥ and 3 hooks.



5. Main Cam

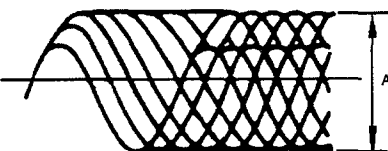
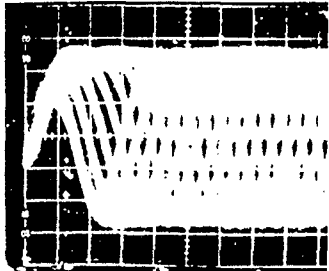
- (1) Take off Switch Angle and Cam Switch by removing screw ⑦.
- (2) Pull the Main Cam apart in the arrow direction.

* Cord colors of the Switch Angle are red, brown, orange, green, yellow and blue from the top.



CD WAVEFORM CONFIRMATION

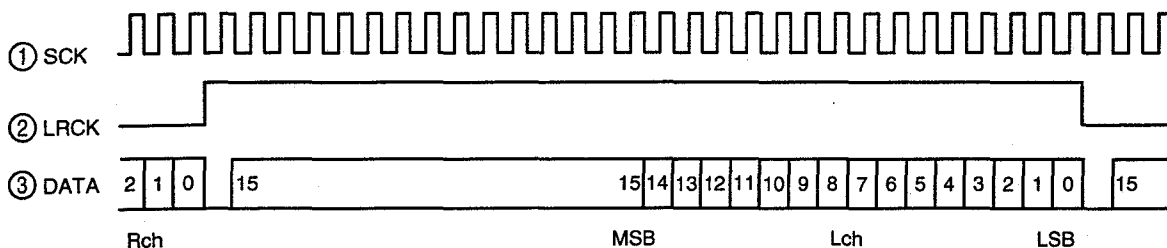
1. HF level Confirming

Connection						
<p>CD P.C.Board AN8808S Test Point UD-M5 : IC801 HF (P1), VREF (P2) D-M7 : IC101 HF (P2), VREF (P1)</p> <div style="display: flex; align-items: center; justify-content: center;"> <div style="border: 1px solid black; padding: 5px; margin-right: 10px;"> TP HF VREF </div> <div style="margin-right: 10px;"> Probe 10:1 </div> <div style="border: 1px solid black; padding: 5px; margin-left: 10px;"> Oscilloscope + - </div> </div> <p>Test Disc: Tomita Yasuko (CA1094) or MO (TCD-784)</p>						
Oscilloscope	Check	Step				
<table border="1" style="width: 100%; border-collapse: collapse;"> <thead> <tr> <th style="width: 50%;">V</th> <th style="width: 50%;">H</th> </tr> </thead> <tbody> <tr> <td style="text-align: center;">50mV/div or 20mV/div</td> <td style="text-align: center;">0.2μs/div or 0.5μs/div</td> </tr> </tbody> </table> <p>• Set input mode to ALTERNATE or CHOPPER.</p>	V	H	50mV/div or 20mV/div	0.2μs/div or 0.5μs/div	<p style="text-align: center;">(Oscilloscope)</p>  <p style="text-align: center;">A=0.3~0.7V</p> 	<ol style="list-style-type: none"> 1. Push button. 2. Check HF level of oscilloscope. 3. Confirm that the waveform is in good shape. (◊eye pattern in center must be discriminated clearly.)
V	H					
50mV/div or 20mV/div	0.2μs/div or 0.5μs/div					

2. Servo IC Output Waveform

(D-M7: IC102, UD-M5: IC802 MN662720RB Pin ① ~ ③)

Rch when LRCK = "L", Lch when LRCK = "H"



DENON

NIPPON COLUMBIA CO., LTD.

14-14, AKASAKA 4-CHOME, MINATO-KU, TOKYO 107-8011 JAPAN

Telephone: 03 (3584) 8111

Cable: NIPPON COLUMBIA TOKYO Telex: JAPANOLA J22591